



US00D958519S

(12) **United States Design Patent**
Ballendat

(10) **Patent No.:** **US D958,519 S**

(45) **Date of Patent:** **** Jul. 26, 2022**

(54) **PART OF A PARASOL**

(71) Applicant: **Knirps International GmbH,**
Braunau-Ranshofen (AT)

(72) Inventor: **Martin Ballendat,** Simbach am Inn
(DE)

(73) Assignee: **Knirps International GmbH,**
Braunau-Ranshofen (AT)

(**) Term: **15 Years**

(21) Appl. No.: **29/767,432**

(22) Filed: **Jan. 22, 2021**

(30) **Foreign Application Priority Data**

Jul. 24, 2020 (EM) 008051197

(51) **LOC (13) Cl.** **03-03**

(52) **U.S. Cl.**
USPC **D3/10; D3/17**

(58) **Field of Classification Search**
USPC D3/5-17; 248/354.3; D13/101-107,
D13/133, 154; D6/708, 708.2, 708.23;
D20/8; D34/23; D8/310-311; D7/392.1
CPC A45B 17/00; A45B 23/00; A45B 3/00;
A45B 25/00; A45B 25/14; A45B 13/00;
E04H 12/2238; E04H 15/48; A47F 5/00;
A63B 63/08; B21D 53/40

See application file for complete search history.

(56) **References Cited**

U.S. PATENT DOCUMENTS

D414,924 S * 10/1999 Wang D3/17
D479,800 S * 9/2003 McRae D9/454
D525,518 S * 7/2006 Baldwin D8/310
D638,695 S * 5/2011 Woodrow D8/382
D710,673 S * 8/2014 Boo G05G 1/10
D8/311
D712,255 S * 9/2014 Geis D9/436

D752,920 S * 4/2016 Boo D7/393
D795,008 S * 8/2017 Eyal D7/392.1
D809,344 S * 2/2018 Guthrie D9/504
D816,493 S * 5/2018 Seiders D9/449
D833,251 S * 11/2018 Hall D8/311
D835,394 S * 12/2018 Rothbacher D3/10
D862,228 S * 10/2019 Yao D7/392.1

(Continued)

FOREIGN PATENT DOCUMENTS

CN 303941727 * 11/2016
CN 304076884 * 3/2017

OTHER PUBLICATIONS

Amazon.com, Site visited Mar. 10, 2022, 4YourHome Generic Design Control Knobs, first available Mar. 21, 2016, <https://www.amazon.com/4-Pack-Generic-Universal-Control-Adapters/dp/B00Q9EI63Y> (Year: 2016).*

(Continued)

Primary Examiner — Brett Miller

Assistant Examiner — Jessica M Gebhart

(74) *Attorney, Agent, or Firm* — Collard & Roe, P.C.

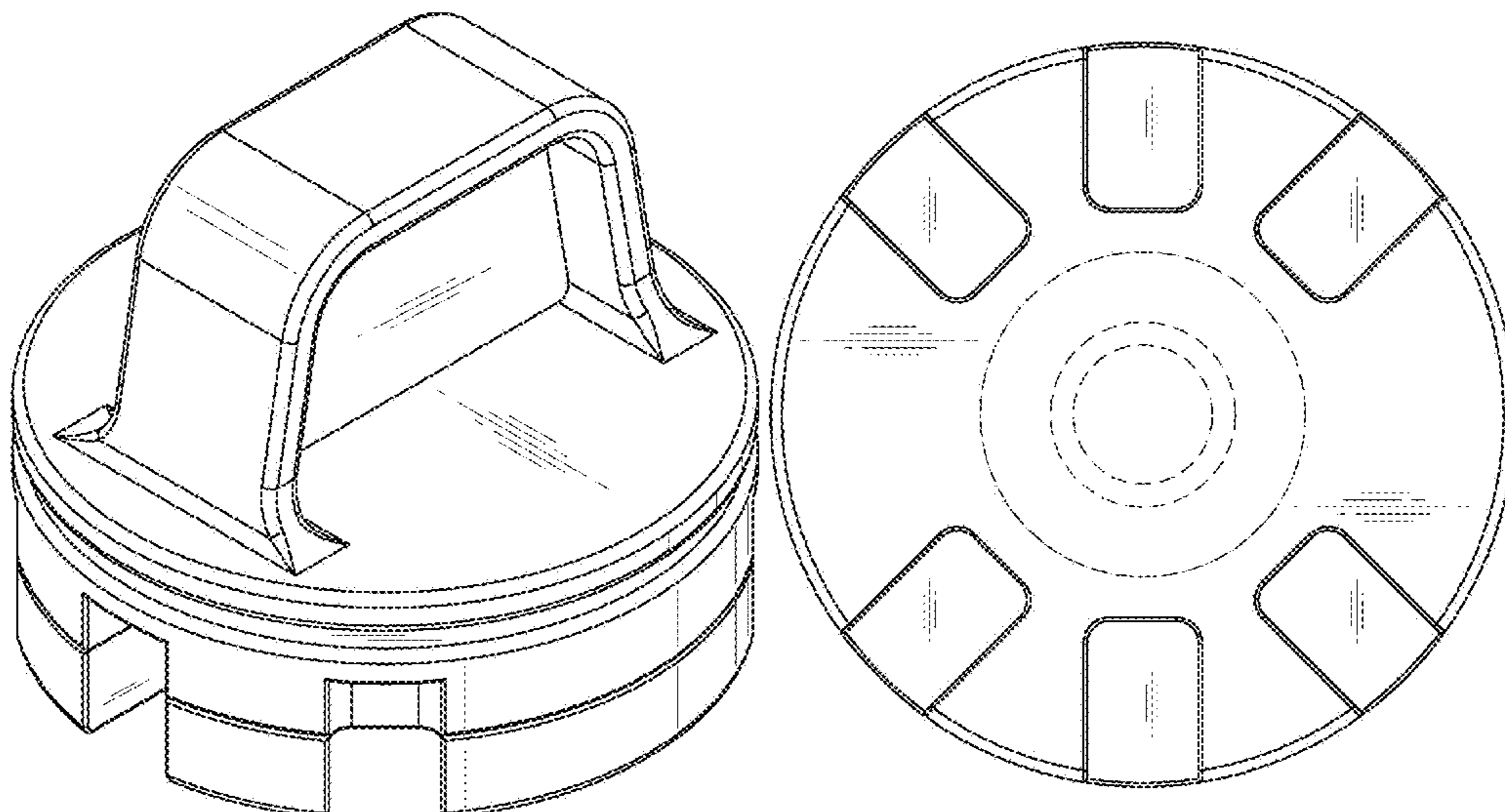
(57) **CLAIM**

The ornamental design for a part of a parasol, as shown and described.

DESCRIPTION

FIG. 1 is a top, front and right side perspective view of a part of a parasol, showing my new design;
FIG. 2 is a front view thereof;
FIG. 3 is a left side view thereof, with the right side view being identical;
FIG. 4 is a top view thereof; and,
FIG. 5 is a bottom view thereof.
The features shown in broken lines depict portions of the part of a parasol that form no part of the claimed design.

1 Claim, 3 Drawing Sheets



(56)

References Cited

U.S. PATENT DOCUMENTS

D907,954 S * 1/2021 Ludolph D7/392.1
2003/0015231 A1 * 1/2003 Ma A45B 25/10
135/33.6

OTHER PUBLICATIONS

Amazon.ca, Site visited Mar. 10, 2022, Sunnyglade 9' Patio Umbrella,
First available Oct. 1, 2018, <https://www.amazon.ca/Sunnyglade-Patio-Umbrella-Outdoor-Sturdy/dp/B01MG7HADL> (Year: 2018).*

* cited by examiner

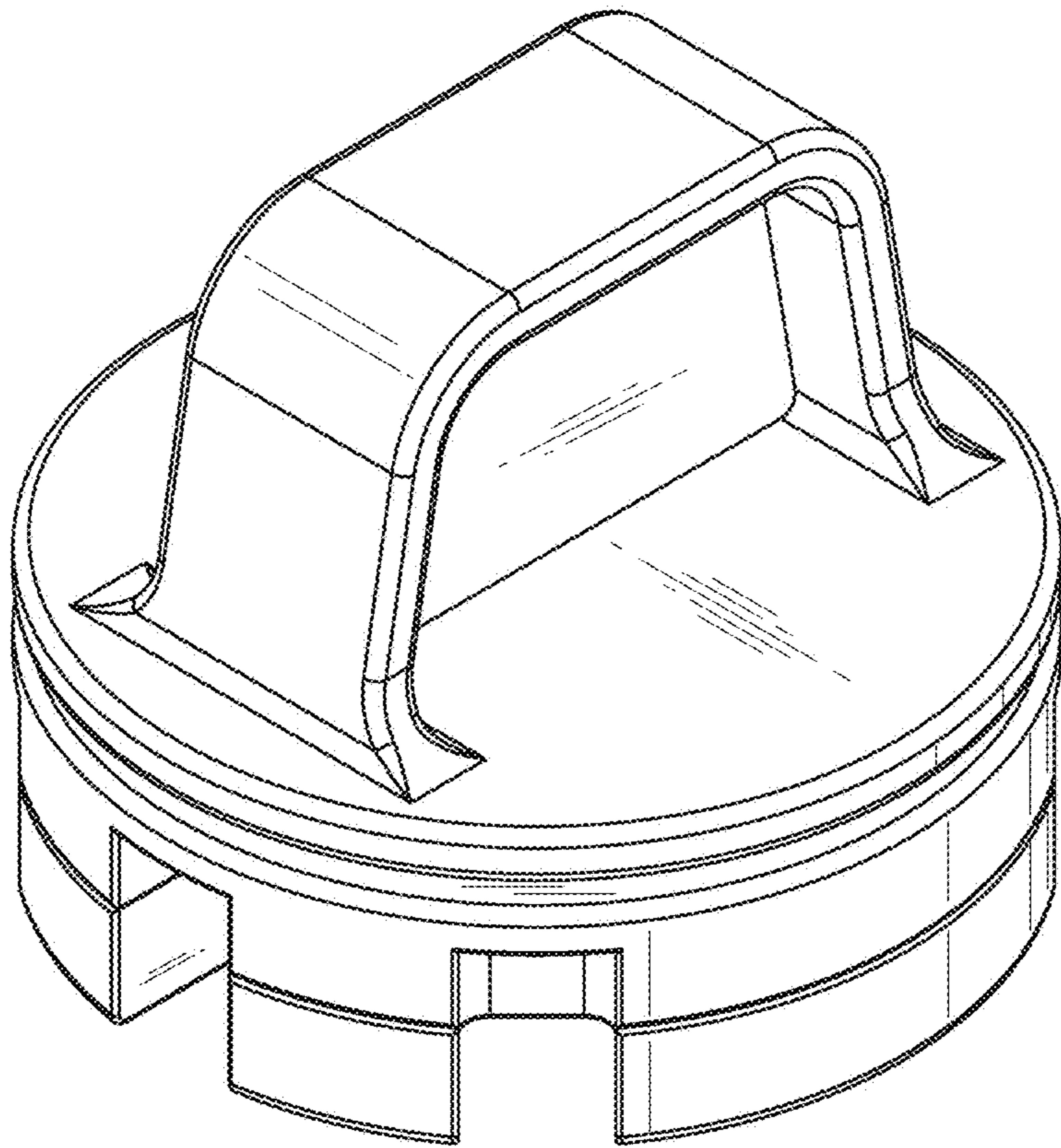


FIG. 1

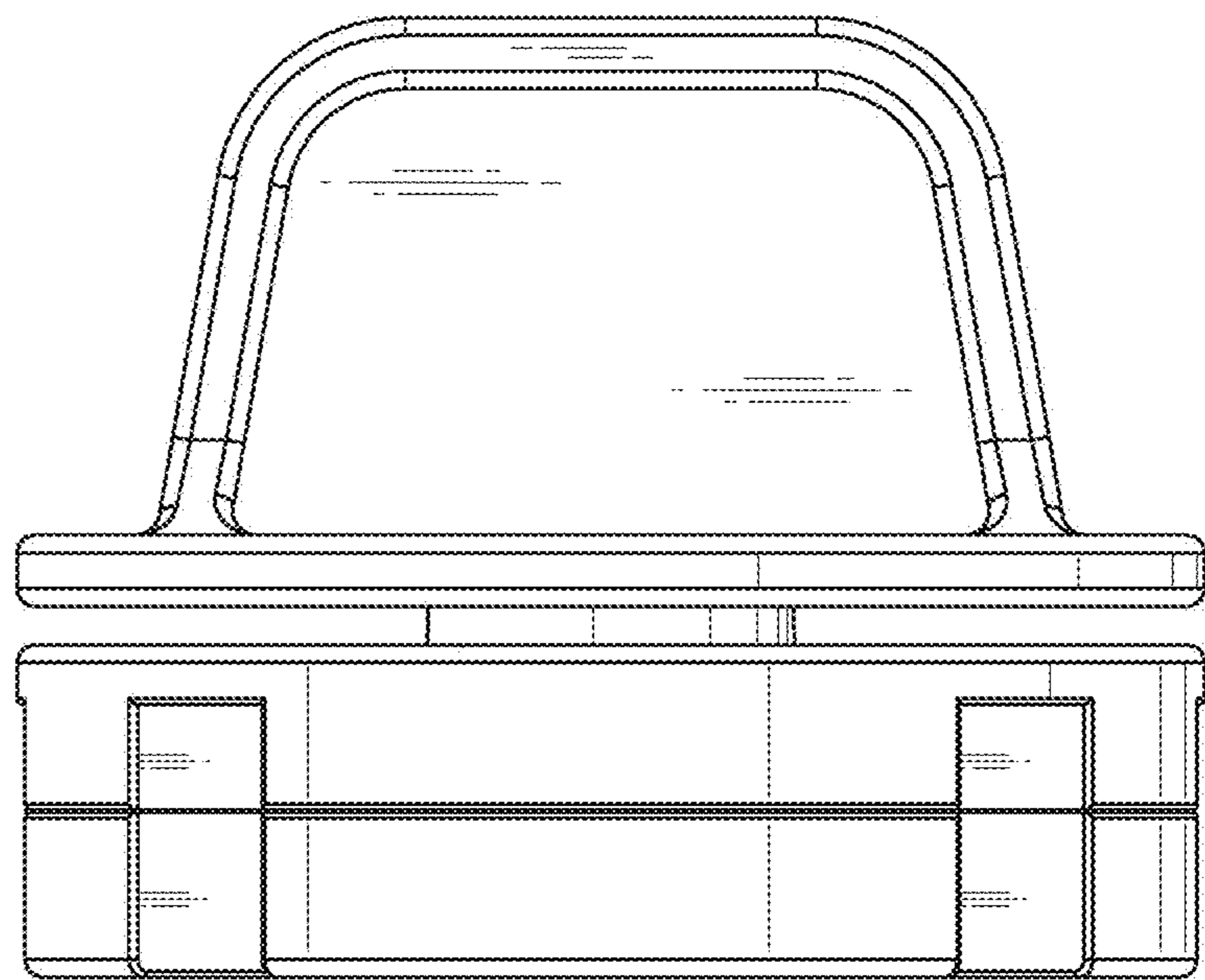


FIG. 2

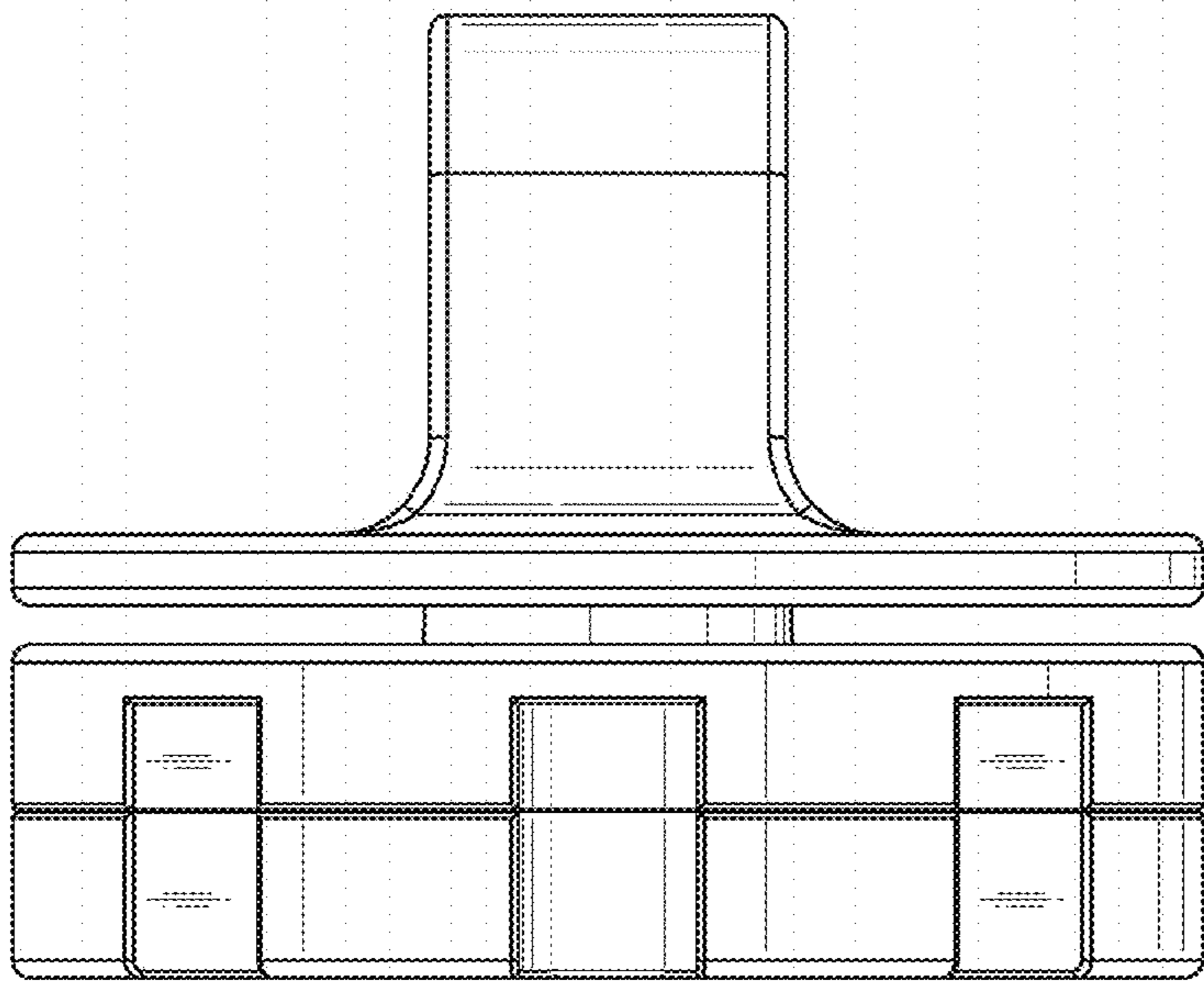


FIG. 3

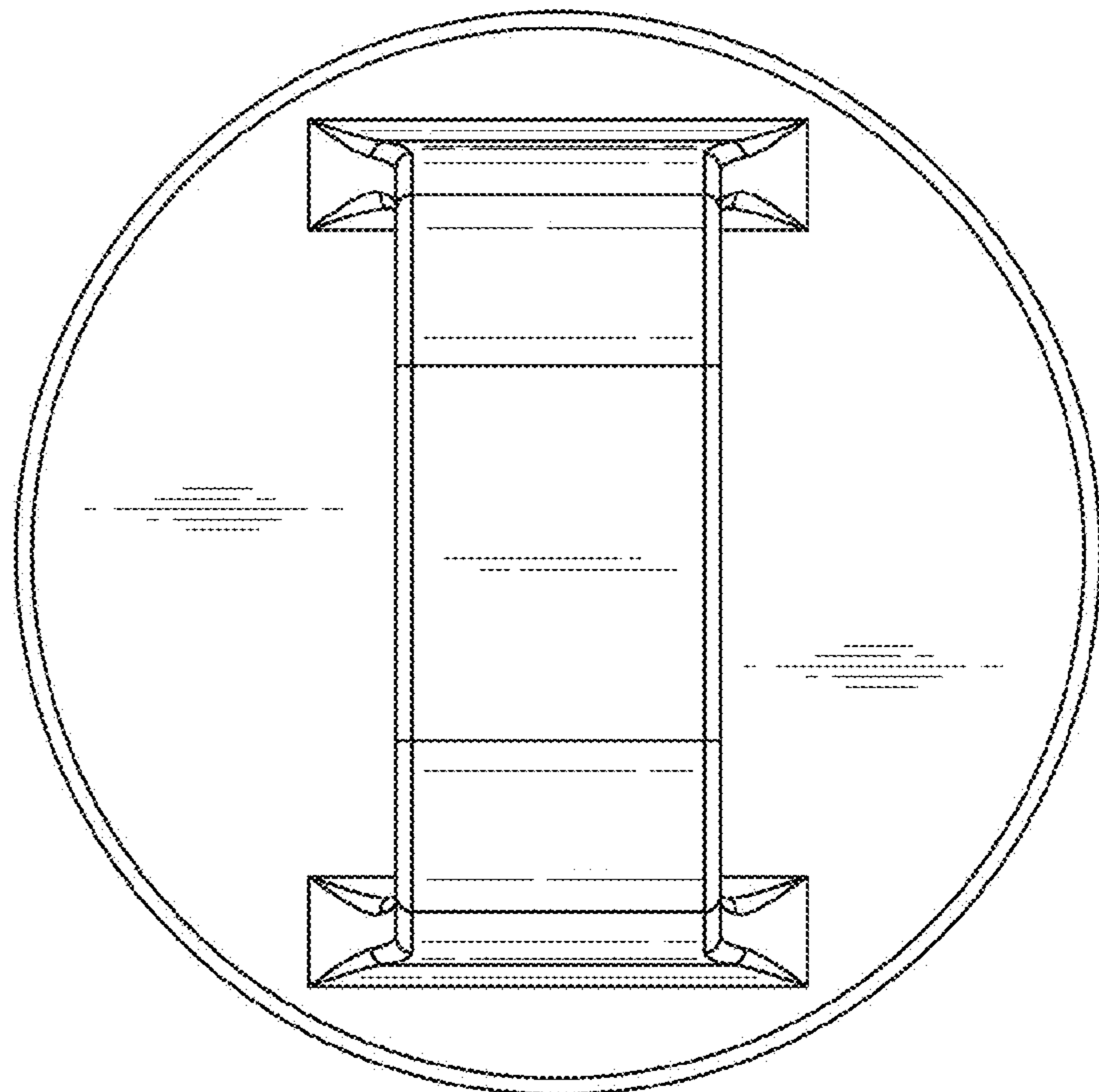


FIG. 4

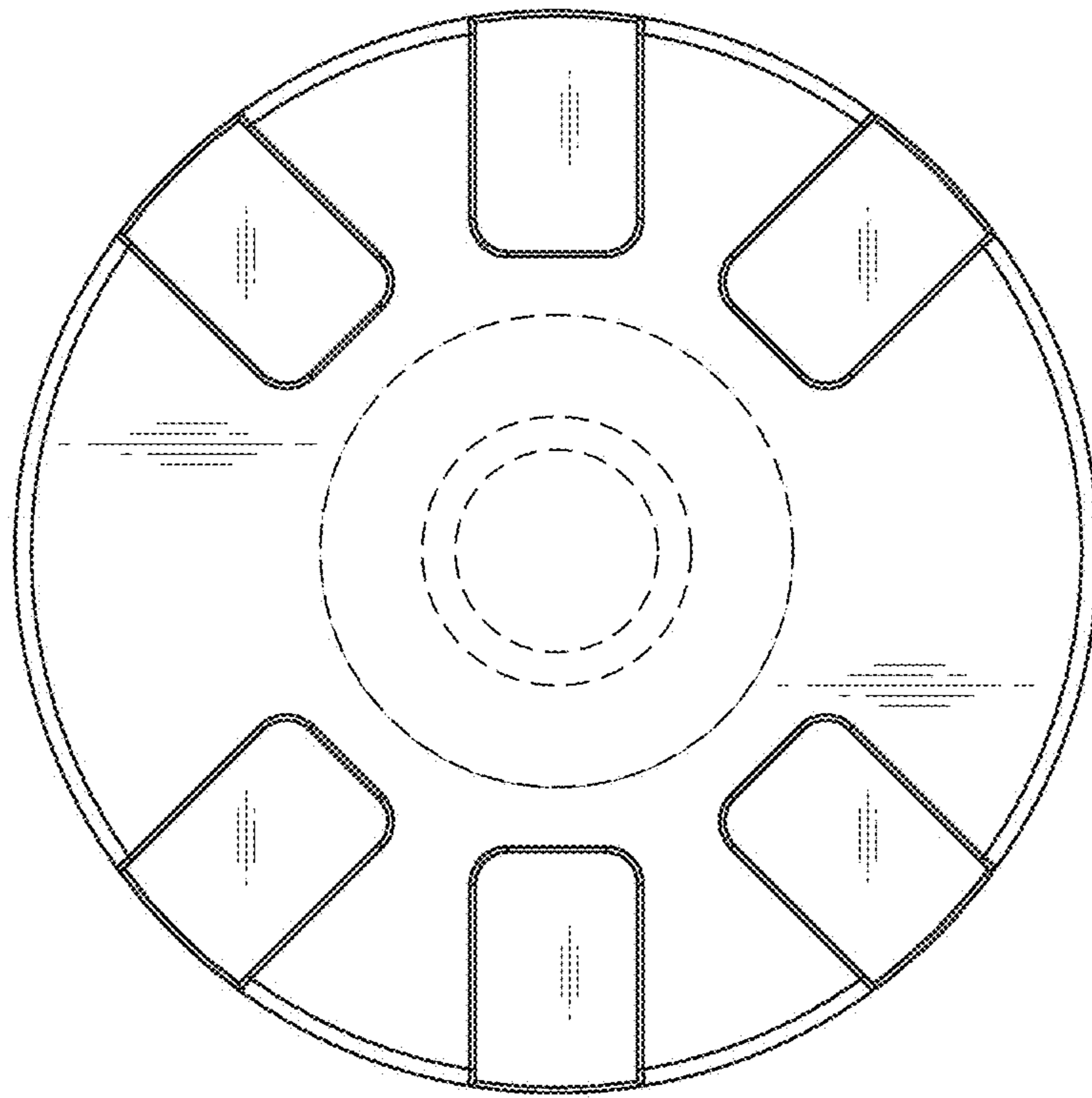


FIG. 5