



US00D958518S

(12) **United States Design Patent**
Ballendat

(10) **Patent No.:** **US D958,518 S**
(45) **Date of Patent:** **** Jul. 26, 2022**

(54) **PARASOL BASE**

FOREIGN PATENT DOCUMENTS

(71) Applicant: **Knirps International GmbH**,
Braunau-Ranshofen (AT)

CN 306305659 * 2/2021 3/3
GB 9007512587-0001 * 1/2020

(72) Inventor: **Martin Ballendat**, Simbach am Inn
(DE)

OTHER PUBLICATIONS

(73) Assignee: **Knirps International GmbH**,
Braonag-Ranshofen (AT)

Homedepot.com, Site visited Feb. 24, 2022, Multi-purpose Garage Dolly/Caddy. Oldest photo review Nov. 4, 2014, <https://www.homedepot.com/p/Devault-Enterprises-16-in-x-11-in-Multi-Purpose-Black-Garage-Dolly-Caddy-DEV4000GB/203613347> (Year: 2014).*
Amazon.ca, Site visited Feb. 24, 2022, Christopher Knight Home Outdoor Umbrella/Shading, First available Jan. 3, 2020, <https://www.amazon.ca/Christopher-Knight-Home-300412-Umbrella/dp/B07CH1R6RK> (Year: 2020).*
Homedepot.com, Site visited Feb. 24, 2022, Snap-Loc Dolly, Oldest review, May 20, 2020, <https://www.homedepot.com/p/SNAP-LOC-1800-lbs-Capacity-Super-Duty-Professional-E-Track-Dolly-in-Red-SL1800D6R/308331424> (Year: 2020).*

(**) Term: **15 Years**

(21) Appl. No.: **29/767,431**

(22) Filed: **Jan. 22, 2021**

(30) **Foreign Application Priority Data**

Jul. 24, 2020 (EM) 008051197

(51) **LOC (13) Cl.** **03-03**

(52) **U.S. Cl.**
USPC **D3/10; D6/708**

(58) **Field of Classification Search**
USPC D3/5-17; D13/101-107, 133, 154;
D6/708, 708.2, 708.23, 691.4, 708.21,
D6/708.24, 716.7, 716.8; D20/8; D34/23
CPC A45B 17/00; A45B 23/00; A45B 3/00;
E04H 12/2238; A47F 5/00; A63B 63/08
See application file for complete search history.

* cited by examiner

Primary Examiner — Brett Miller
Assistant Examiner — Jessica M Gebhart
(74) *Attorney, Agent, or Firm* — Collard & Roe, P.C.

(56) **References Cited**

U.S. PATENT DOCUMENTS

2,738,542 A * 3/1956 Clark, Jr. B60B 33/045
280/124.13
6,656,065 B2 * 12/2003 Nye A63B 71/023
473/481
8,657,246 B2 * 2/2014 Ma E04H 12/2238
248/346.11
D732,817 S * 6/2015 Elstow D3/10
D754,462 S * 4/2016 Volz D6/708
2007/0080277 A1 * 4/2007 Chen E04H 12/2246
248/354.3
2010/0065709 A1 * 3/2010 Ying E04H 12/2238
248/522
2020/0208429 A1 * 7/2020 Ma B62B 5/049

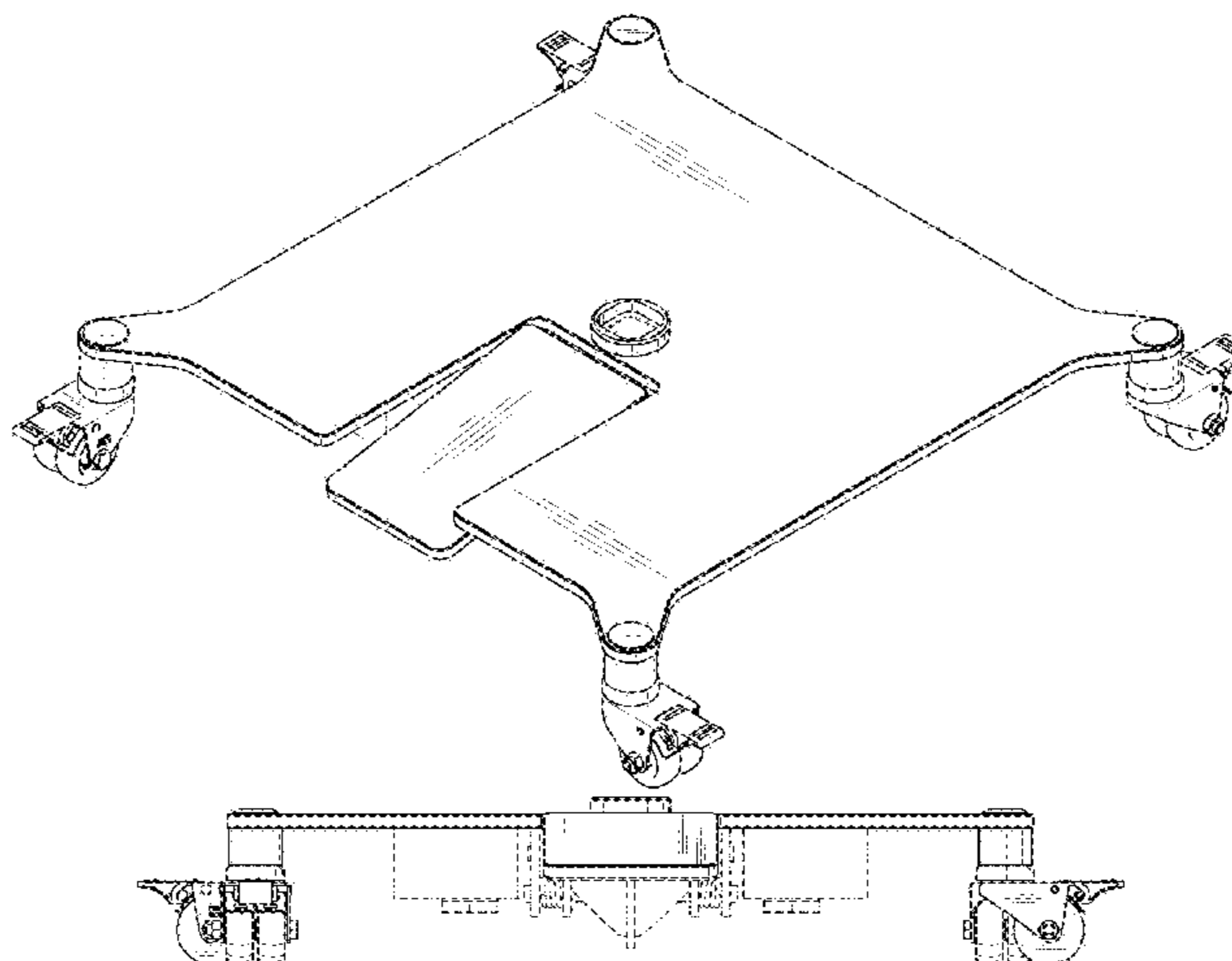
(57) **CLAIM**

The ornamental design for a parasol base, as shown and described.

DESCRIPTION

FIG. 1 is a top, front and right side perspective view of a parasol base, showing my new design;
FIG. 2 is a top view thereof;
FIG. 3 is a left side view thereof; and,
FIG. 4 is a front view thereof.
The broken lines depict portions of the parasol base that form no part of the claimed design.

1 Claim, 3 Drawing Sheets



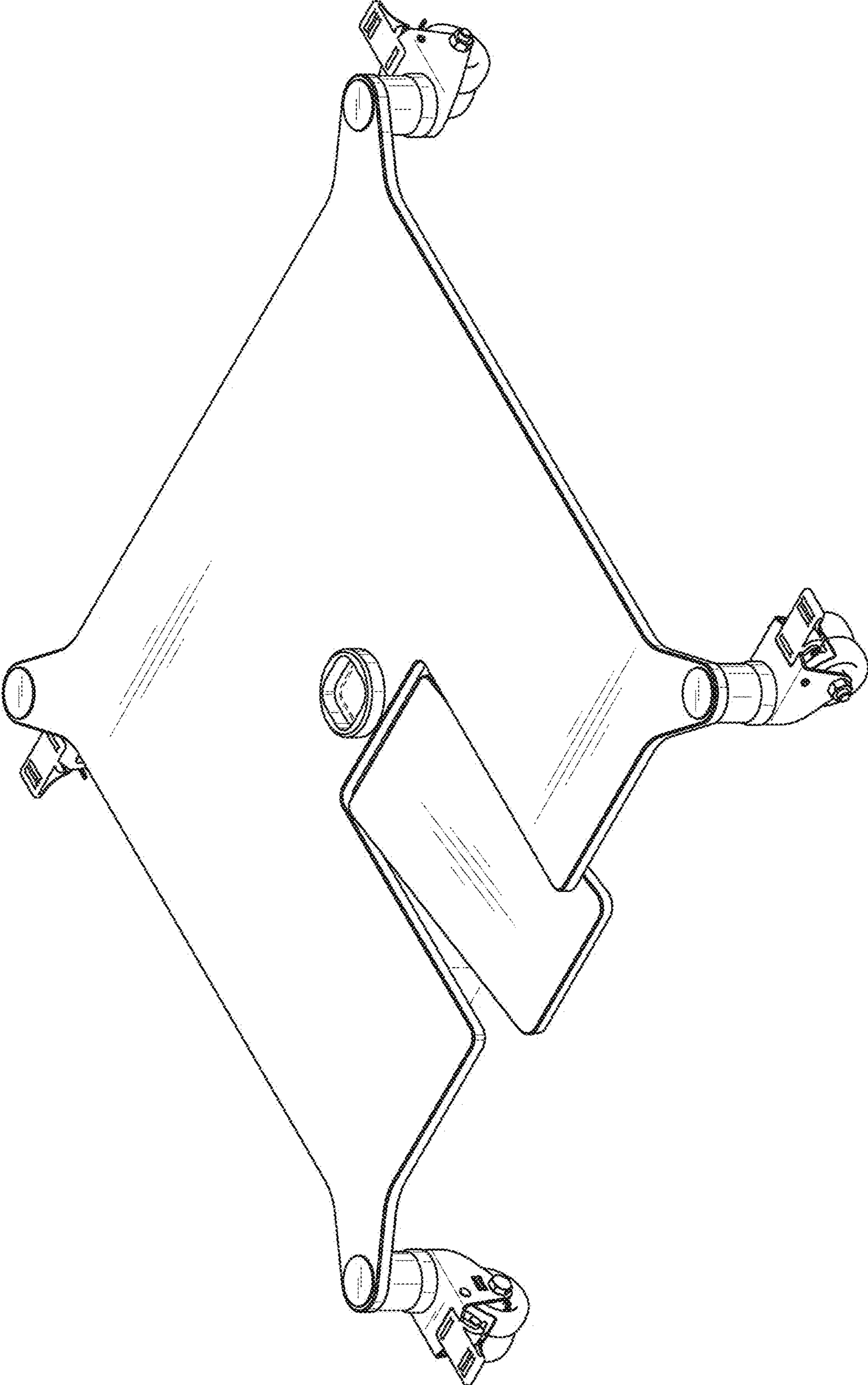


FIG. 1

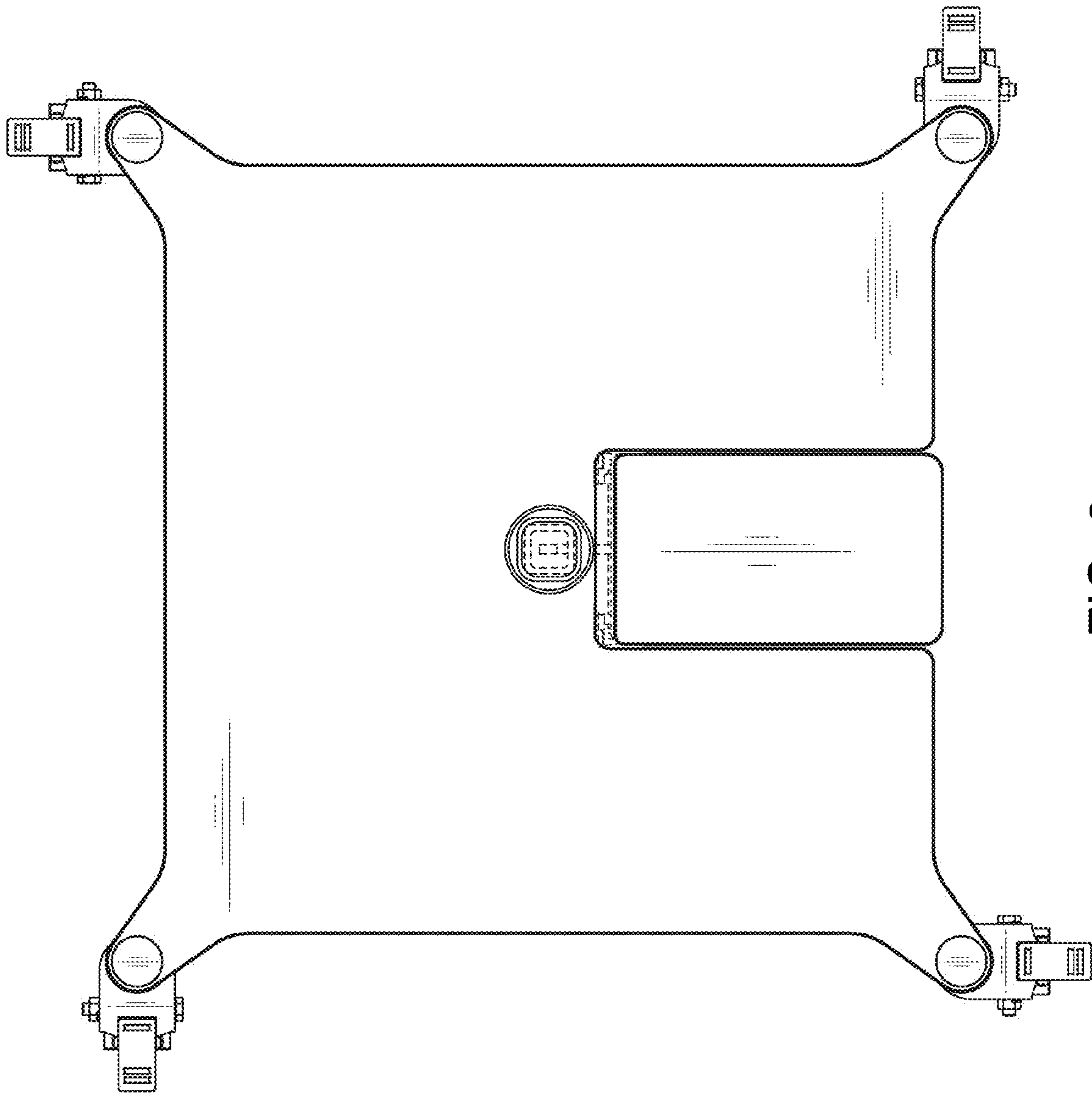


FIG. 2

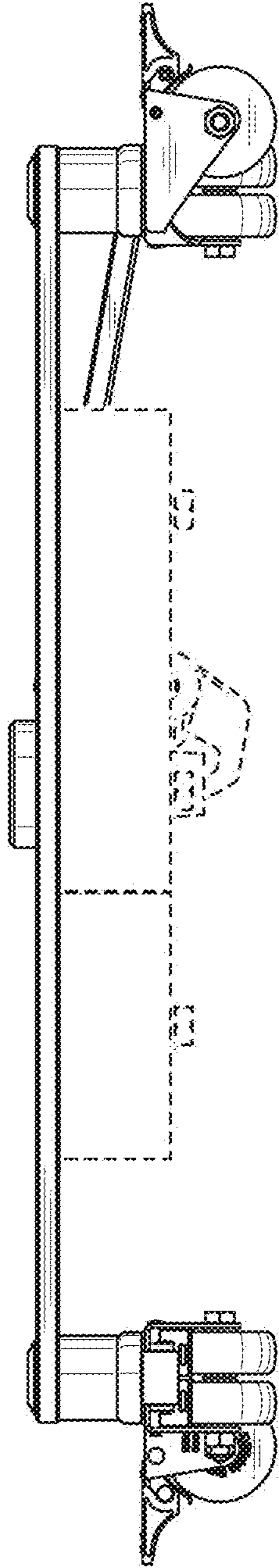


FIG. 3

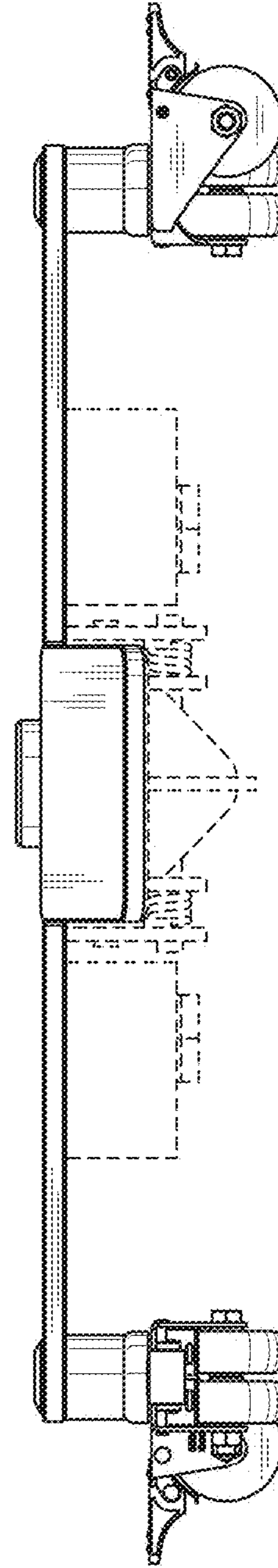


FIG. 4