



US00D958517S

(12) **United States Design Patent** (10) **Patent No.:** **US D958,517 S**
Anderson (45) **Date of Patent:** **** Jul. 26, 2022**

(54) **VARIABLE HEIGHT CANOPY**
(71) Applicant: **Anderson Golf LLC**, Pinehurst, NC (US)
(72) Inventor: **Daren Anderson**, Pinehurst, NC (US)
(73) Assignee: **Anderson Golf LLC**, Pinehurst, NC (US)
(**) Term: **15 Years**
(21) Appl. No.: **29/754,931**
(22) Filed: **Oct. 15, 2020**
(51) **LOC (13) Cl.** **03-03**
(52) **U.S. Cl.**
USPC **D3/10**
(58) **Field of Classification Search**
USPC D3/5-17; D13/101-107, 133, 154;
D6/708, 708.2, 708.23; D20/8
CPC A45B 17/00; A45B 23/00; A45B 3/00;
E04H 12/2238; A47F 5/00
See application file for complete search history.

(56) **References Cited**
U.S. PATENT DOCUMENTS
2,554,887 A * 5/1951 Tricarico E04H 12/2215
52/165
4,214,770 A * 7/1980 Agins A45B 3/00
135/66

(Continued)

FOREIGN PATENT DOCUMENTS
CN 305329382 * 9/2019

OTHER PUBLICATIONS
Homedepot.com, Site visited Feb. 23, 2022, Costway Aluminum Beach Umbrella, Oldest review Aug. 14, 2020, <https://www.homedepot.com/p/Costway-6-5-ft-Aluminum-Beach-Umbrella-Sun-Shade-Tilt-in-Blue-OP70314BL/314244295> (Year: 2020).*

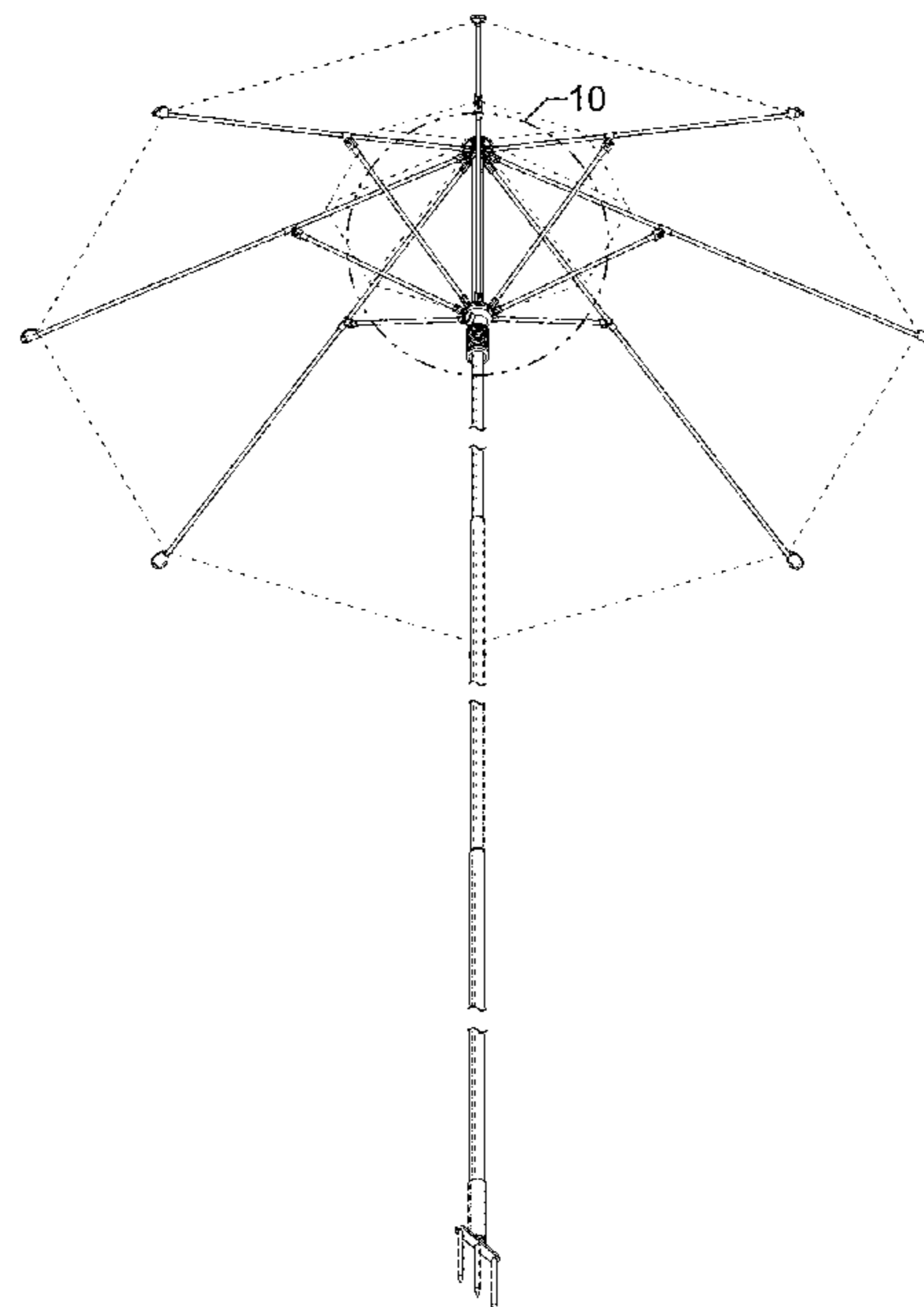
homedepot.com/p/Costway-6-5-ft-Aluminum-Beach-Umbrella-Sun-Shade-Tilt-in-Blue-OP70314BL/314244295 (Year: 2020).*
(Continued)

Primary Examiner — Brett Miller
Assistant Examiner — Jessica M Gebhart
(74) *Attorney, Agent, or Firm* — Offit Kurman, P.A.; Steven Scott Lloyd

(57) **CLAIM**
The ornamental design of a variable height canopy, as shown and described in the drawings and specification.

DESCRIPTION
FIG. 1 is a top front isometric view of a new design for a variable height canopy.
FIG. 2 is a bottom front isometric view of the design of FIG. 1.
FIG. 3 is a front view of the design of FIG. 1.
FIG. 4 is a rear view of the design of FIG. 1.
FIG. 5 is a left view of the design of FIG. 1.
FIG. 6 is a right view of the design of FIG. 1.
FIG. 7 is a top view of the design of FIG. 1.
FIG. 8 is a bottom view of the design of FIG. 1.
FIG. 9 is a detailed enlarged section view taken from the lower portion of the design, as identified in FIG. 1; and, FIG. 10 is a detailed enlarged section view taken FIG. 2, as identified in FIG. 2.
The dash broken lines show portions of the variable height canopy that form no part of the claimed design. The dash-dot broken lines symbolize border lines for the enlarged section views of the variable height canopy and form no part of the claimed invention.
The solid waved lines shown on the pole of the variable height canopy in FIGS. 1-6 depict symbolic lines and form no part of the claimed design. Any portions within the symbolic breaks form no part of the claimed design.

1 Claim, 10 Drawing Sheets



(56)

References Cited

U.S. PATENT DOCUMENTS

8,191,562 B1 * 6/2012 Sampson A45B 19/04
248/530
9,629,427 B1 * 4/2017 Alm A45B 25/00
2010/0044661 A1 * 2/2010 Weiner E01F 9/685
256/1
2010/0200724 A1 * 8/2010 Kukuk A45B 25/00
248/530
2018/0106062 A1 * 4/2018 Brady A45B 25/00

OTHER PUBLICATIONS

Amazon.com, Site visited Feb. 23, 2022, Besroy Beach Umbrella with sand anchor, First available Aug. 17, 2020, <https://www.amazon.com/6-5ft-Portable-Beach-Umbrella-Telescoping/dp/B08ZN92KBY> (Year: 2020).*

Amazon.com, Site visited Feb. 23, 2022, G4Free Adjustable Beach Umbrella, First available Sep. 9, 2020, <https://www.amazon.com/G4Free-Adjustable-Umbrella-Universal-Stroller/dp/B08ZN8S24T> (Year: 2020).*

* cited by examiner

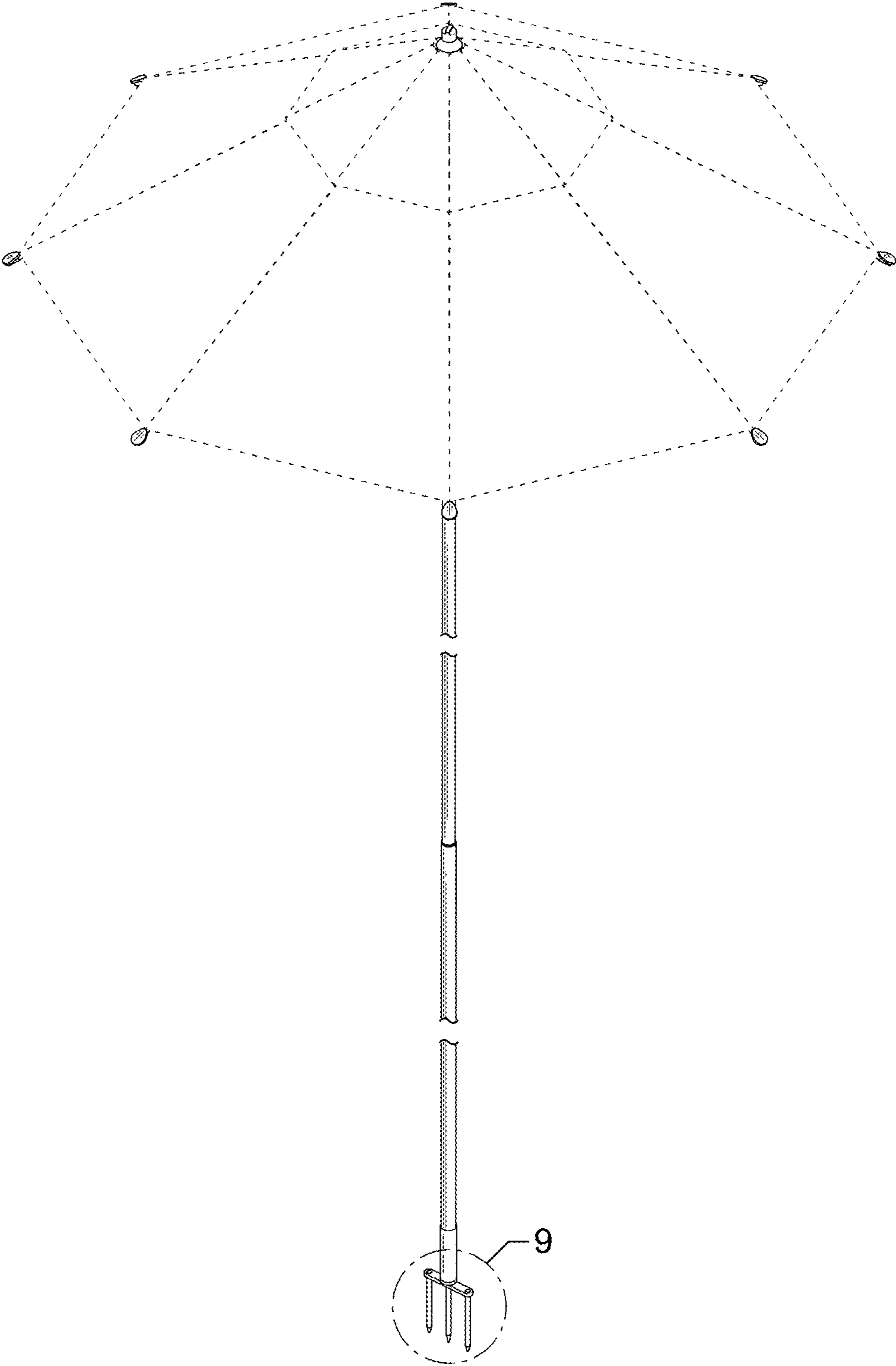


FIG. 1

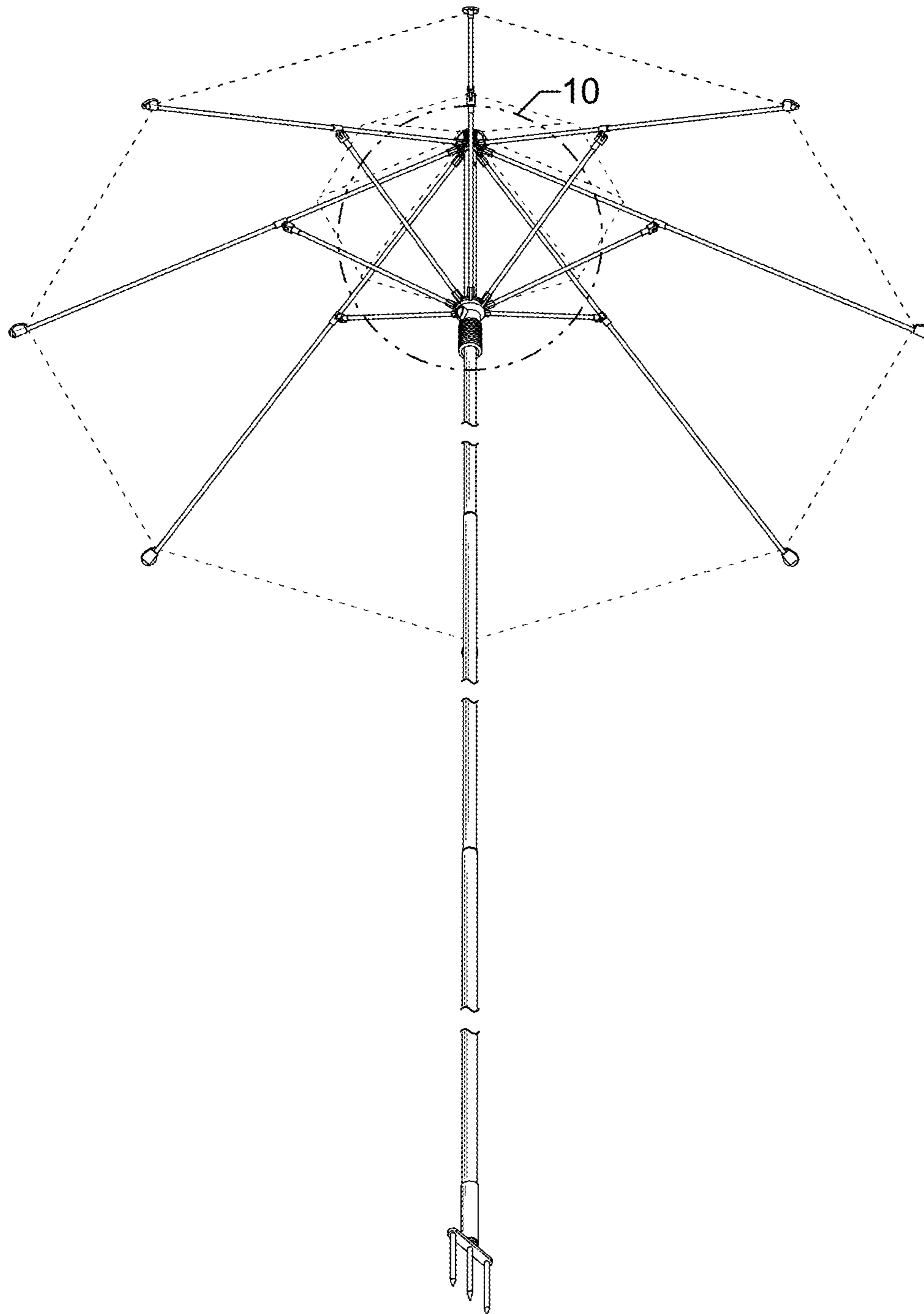


FIG. 2

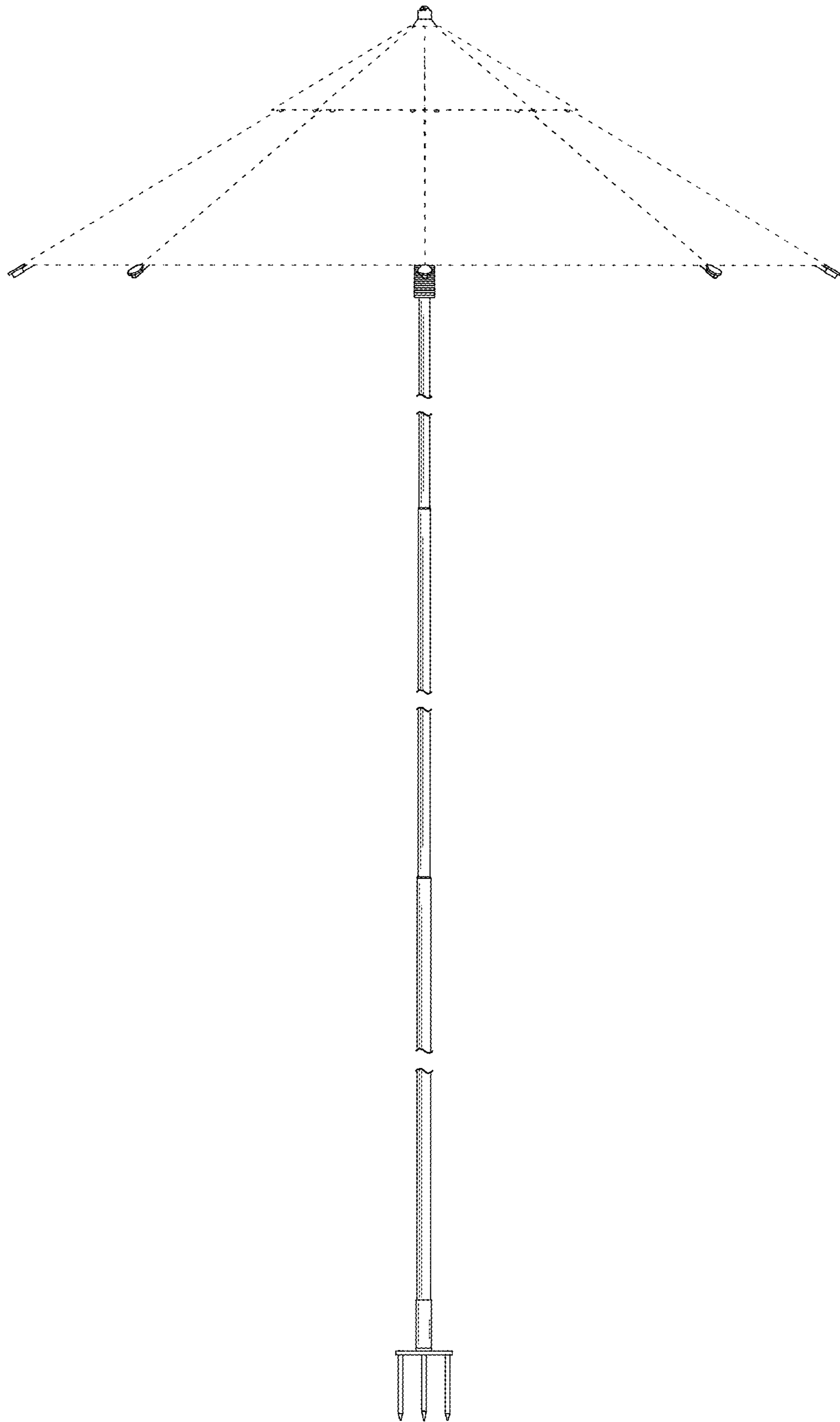


FIG. 3

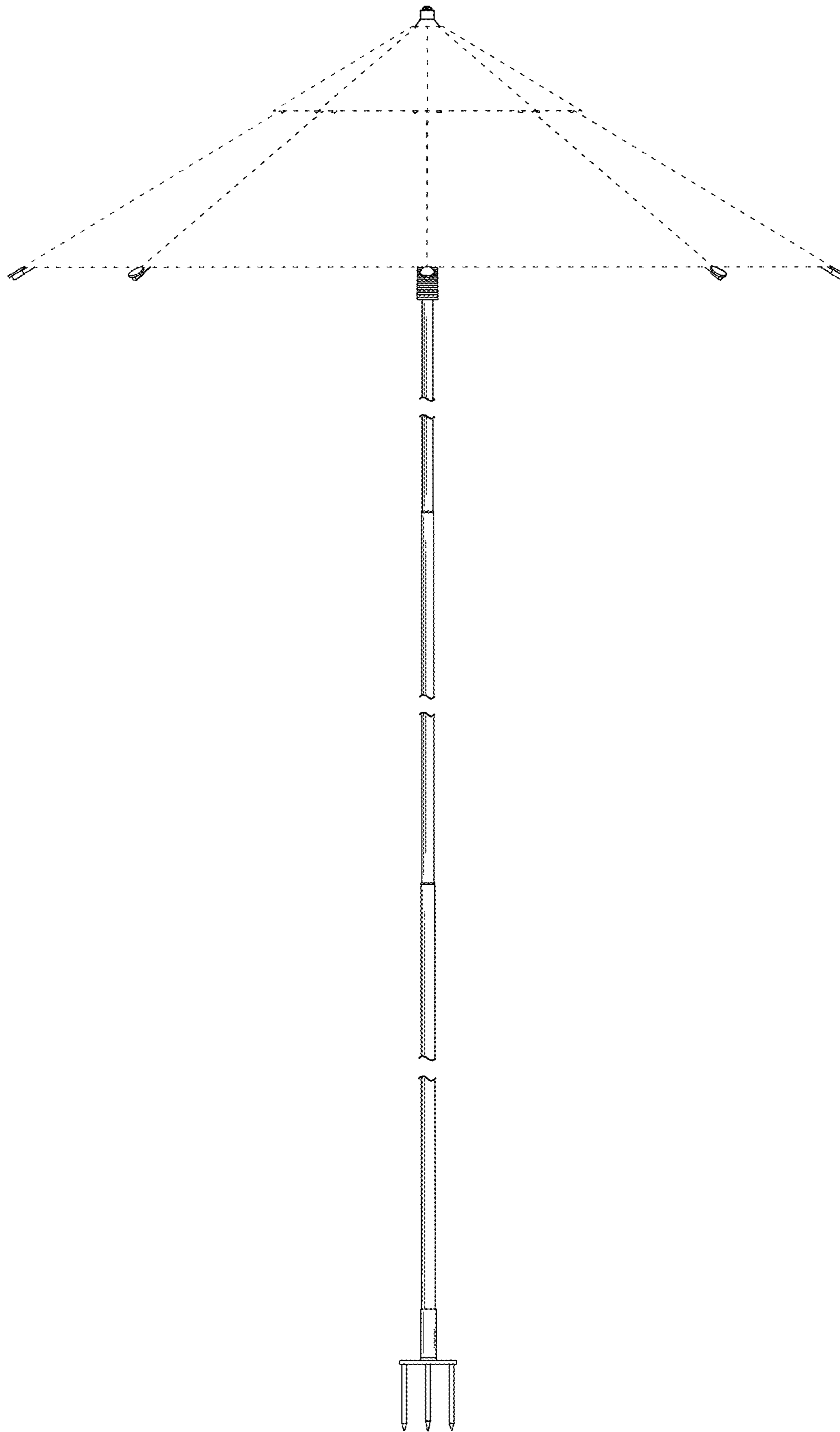


FIG. 4

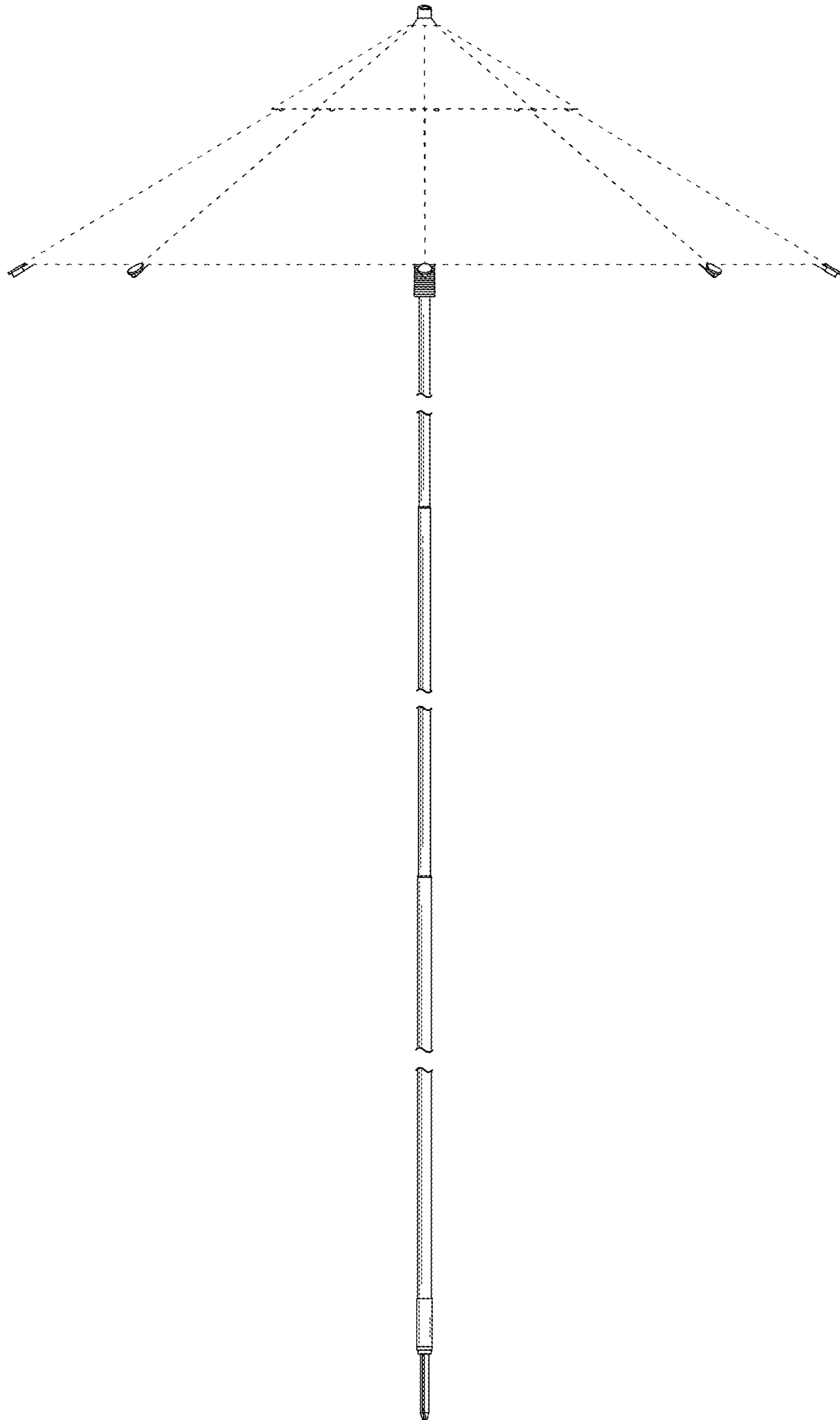


FIG. 5

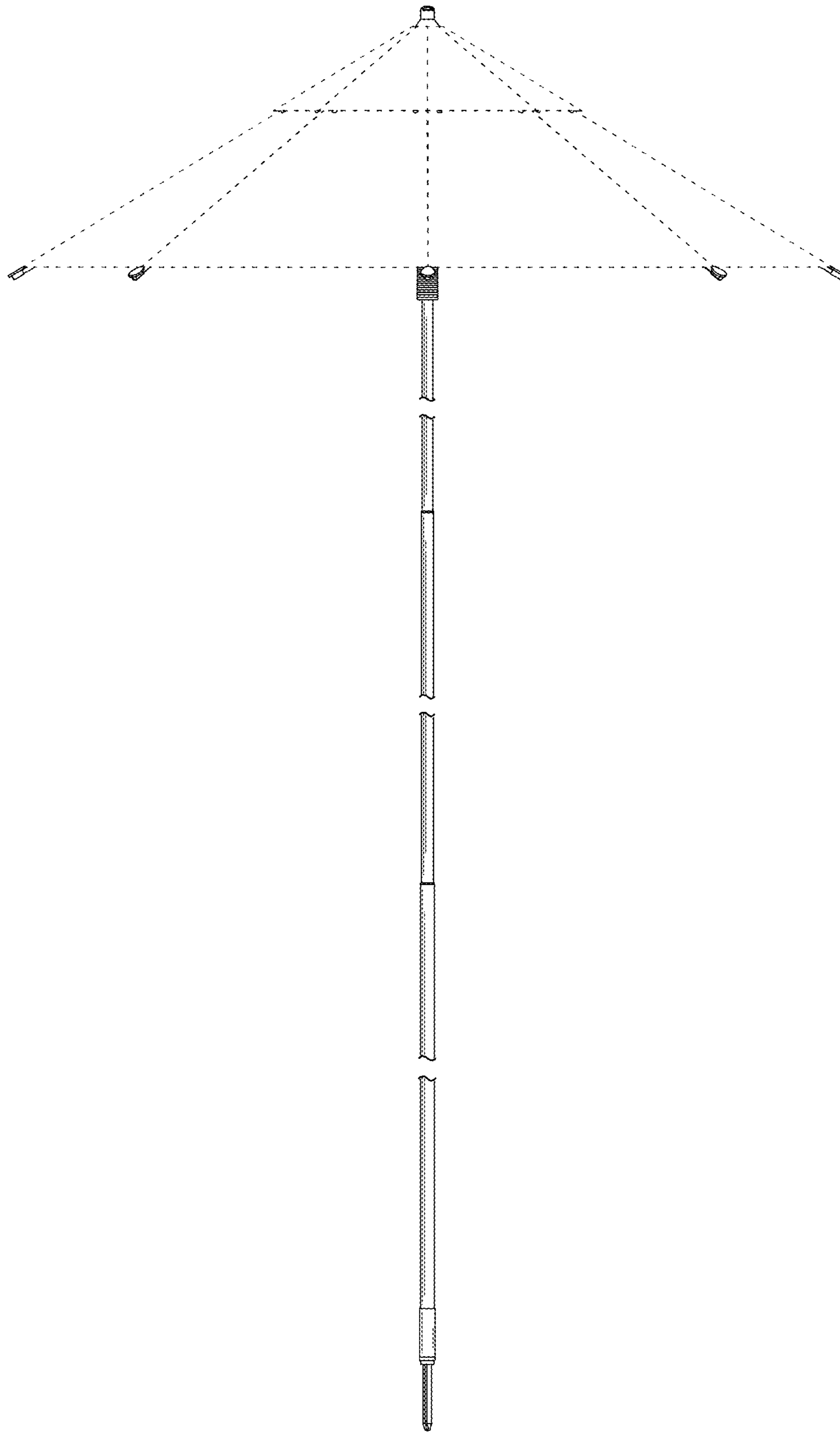


FIG. 6

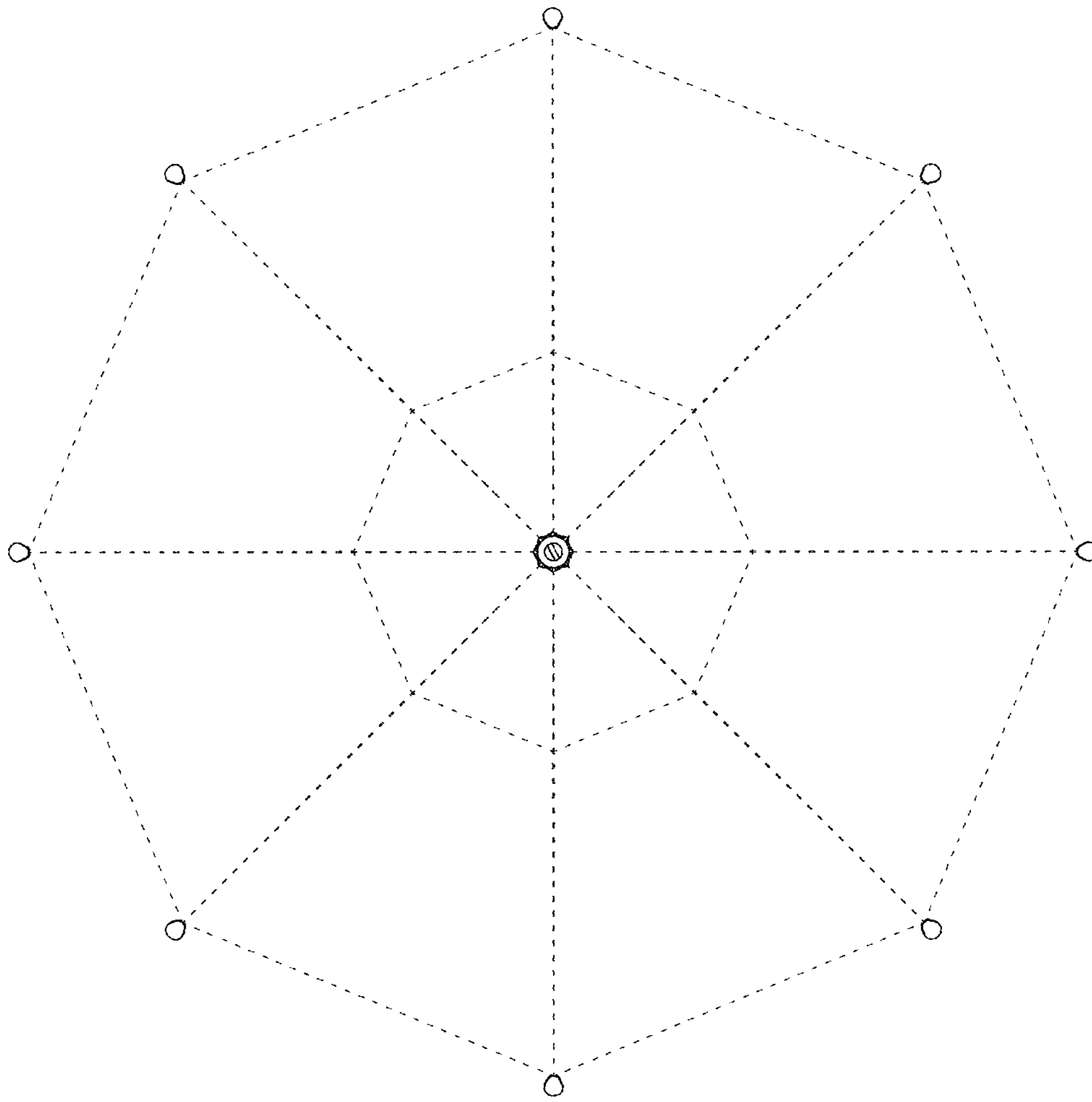


FIG. 7

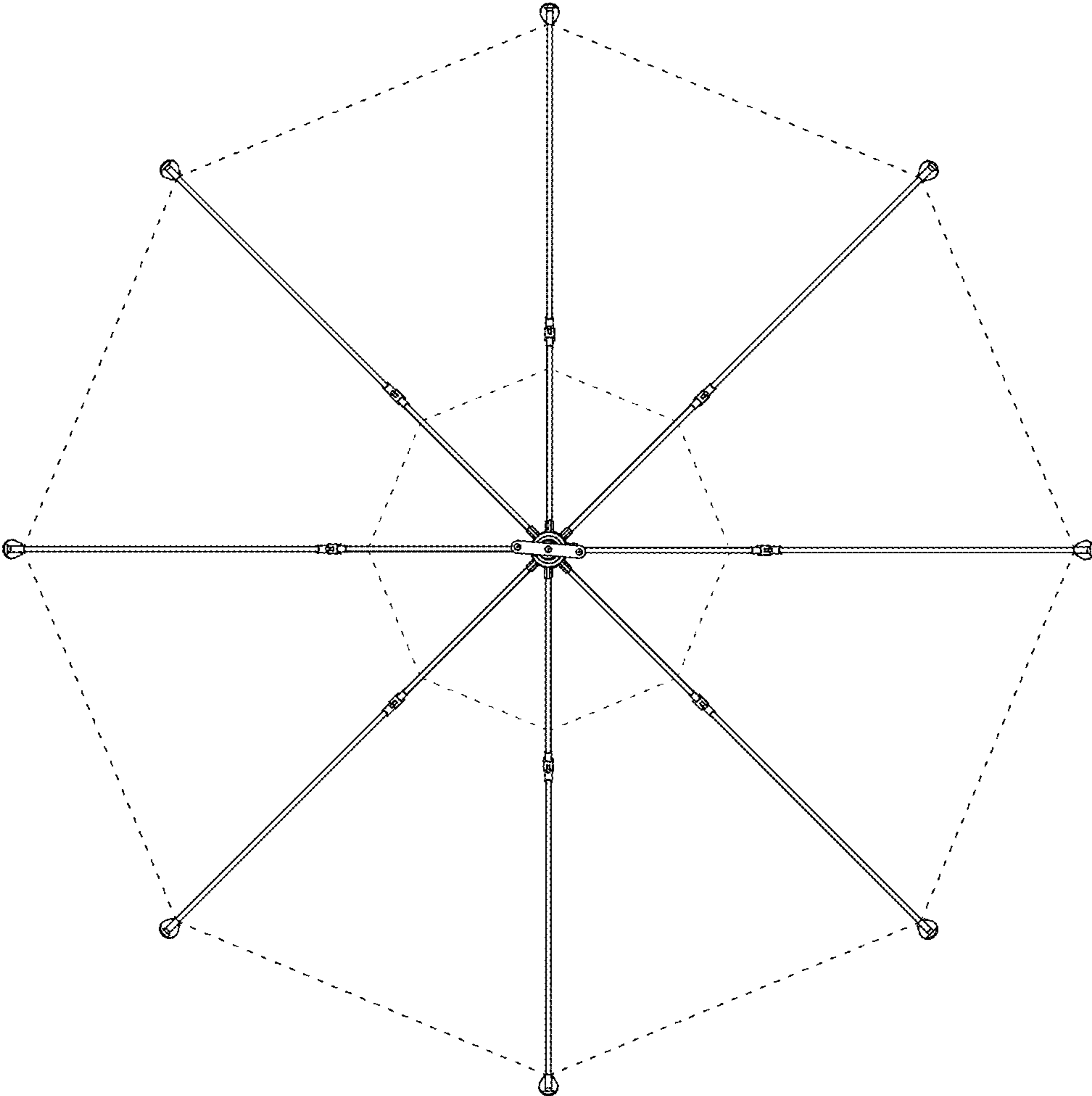


FIG. 8

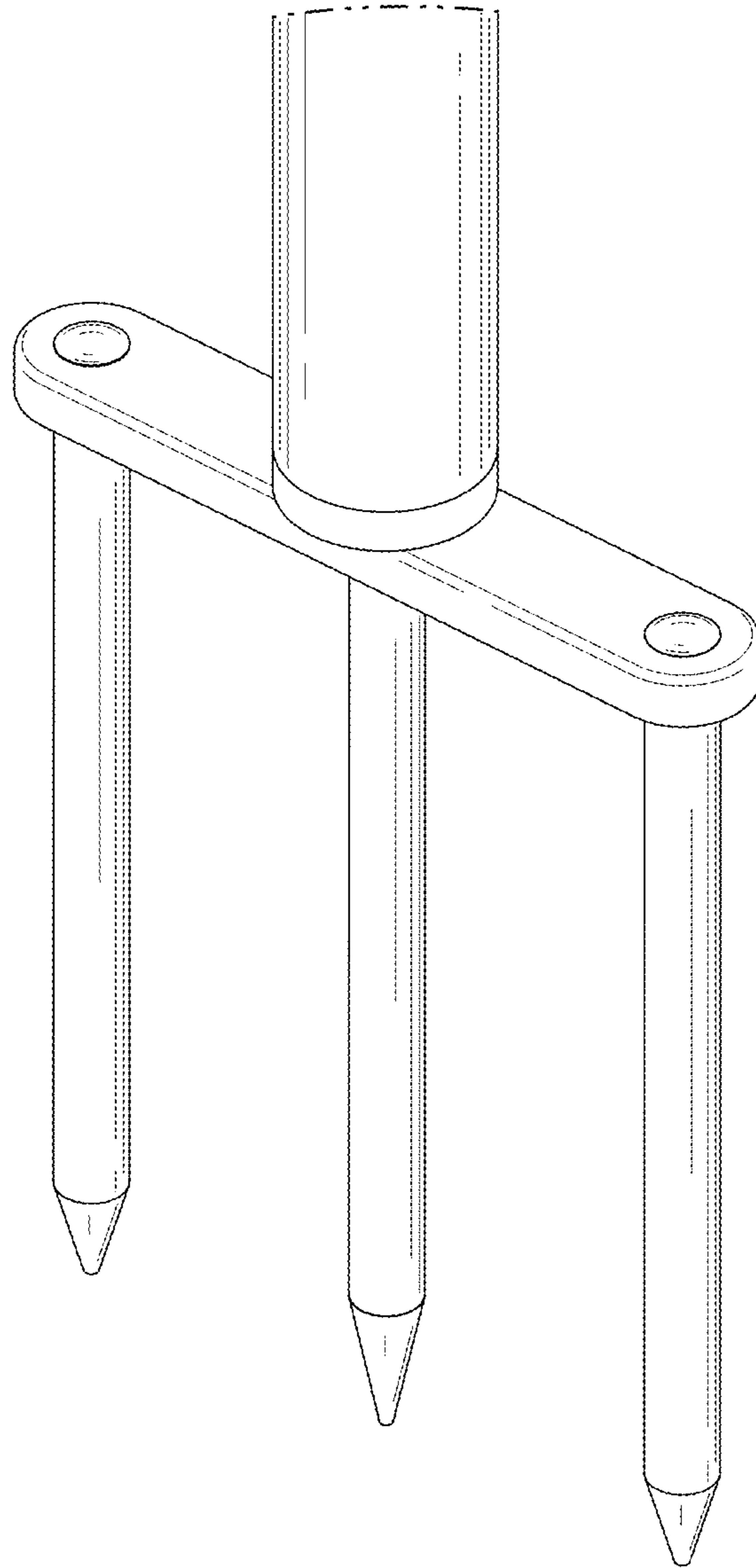


FIG. 9

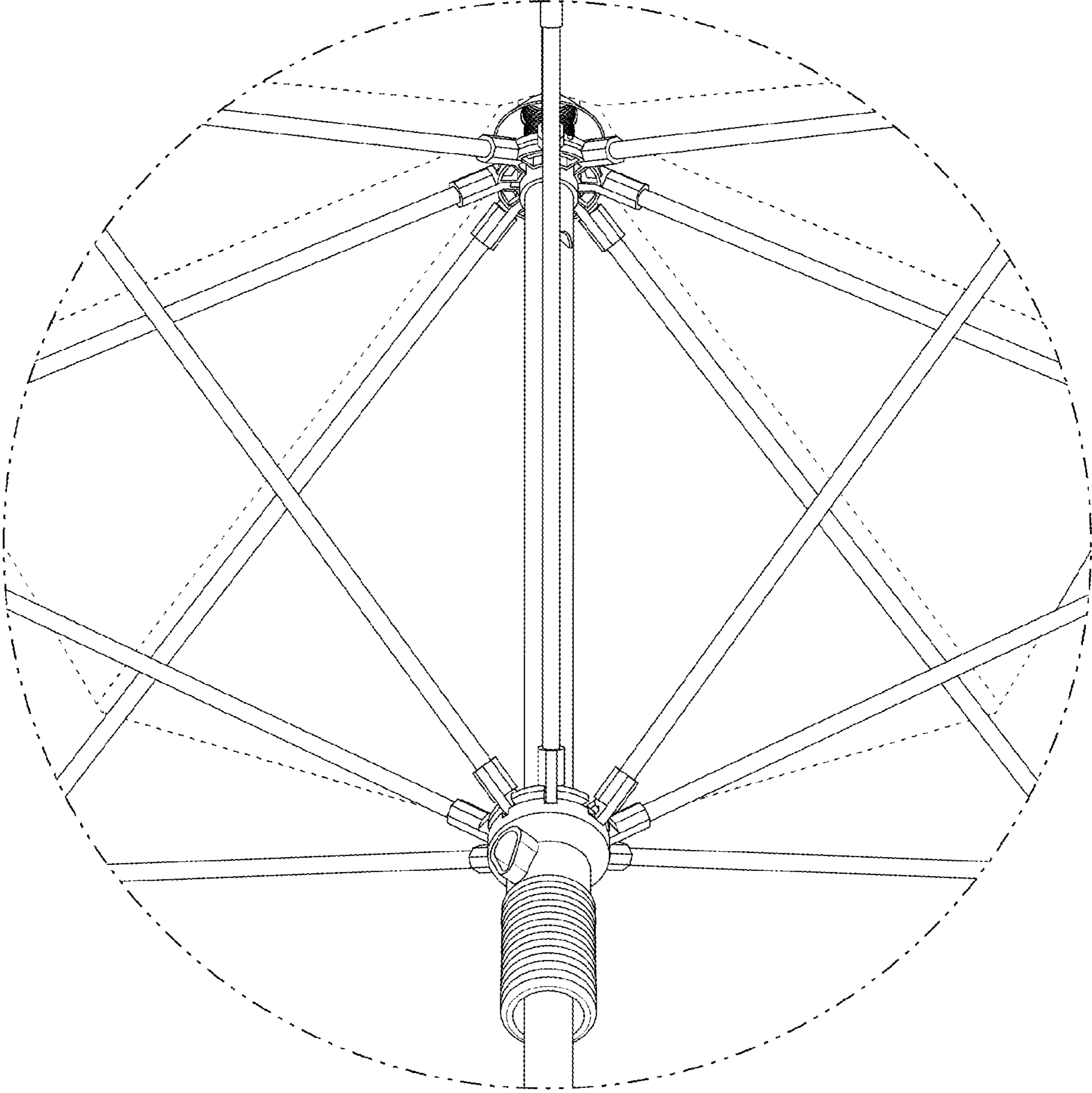


FIG. 10