



US00D958498S

(12) **United States Design Patent** (10) **Patent No.:** **US D958,498 S**
Aguero (45) **Date of Patent:** **** Jul. 26, 2022**

(54) **SHOULDER TOWEL ASSEMBLY**

FOREIGN PATENT DOCUMENTS

(71) Applicant: **Jose Aguero**, Ephrata, PA (US)
(72) Inventor: **Jose Aguero**, Ephrata, PA (US)
(**) Term: **15 Years**

FR 2677862 * 12/1992
JP 3614805 * 1/2005
WO 2018017601 1/2018

(21) Appl. No.: **29/801,051**
(22) Filed: **Jul. 26, 2021**

OTHER PUBLICATIONS

Professional Short Length Salon Cape by Jiakai, posted to amazon.com. Available date: Sep. 28, 2019 [site visited Mar. 8, 2022] Available: <<https://www.amazon.com/Professional-Striped-Cutting-Styling-Hairdressing/dp/B07YJ58L7V>> (Year: 2019).*

Related U.S. Application Data

(63) Continuation-in-part of application No. 16/411,892, filed on May 14, 2019, now abandoned.
(51) **LOC (13) Cl.** **02-02**
(52) **U.S. Cl.**
USPC **D2/858**
(58) **Field of Classification Search**
USPC D2/858, 860, 861
CPC A41B 3/00; A41B 3/02; A41B 7/00; A41B 7/10
See application file for complete search history.

(Continued)

Primary Examiner — Kevin K Rudzinski

(57) **CLAIM**

The ornamental design for a shoulder towel assembly, as shown and described.

(56) **References Cited**

DESCRIPTION

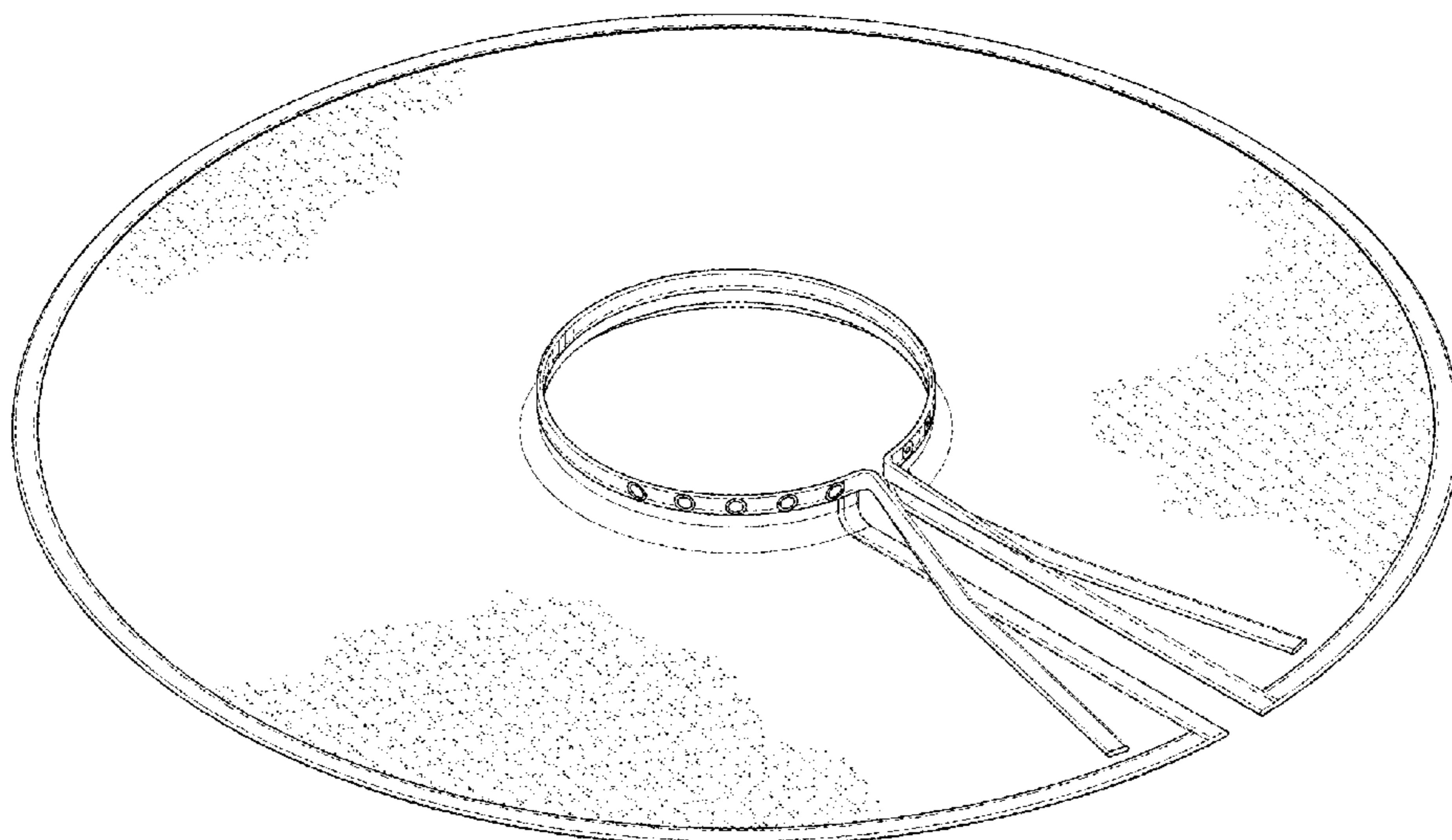
U.S. PATENT DOCUMENTS

1,097,024	A *	5/1914	Holverson	A41B 7/00
					2/124
1,110,187	A *	9/1914	Cooper	A41B 3/00
					2/129
1,260,544	A *	3/1918	Hurd	A41B 3/00
					2/129
1,263,446	A *	4/1918	Logan	A41B 7/00
					2/124
1,270,660	A *	6/1918	Rebert	A41B 7/00
					2/124
1,291,970	A *	1/1919	McGaw	A41B 7/00
					2/124
1,360,687	A *	11/1920	Rolfe	A41B 7/00
					2/123
1,391,094	A *	9/1921	Frank	A41B 7/04
					2/124

FIG. 1 is a top front side perspective view of a shoulder towel assembly showing my new design;
FIG. 2 is a front view of the shoulder towel assembly;
FIG. 3 is a bottom side view of the shoulder towel assembly;
FIG. 4 is a top view of the shoulder towel assembly;
FIG. 5 is a rear view of the shoulder towel assembly;
FIG. 6 is a right side view of the shoulder towel assembly;
FIG. 7 is a left side view of the shoulder towel assembly;
and,
FIG. 8 is a disassembled view of the shoulder towel assembly.
The broken lines are illustrative of stitching forming part of the claimed design.

(Continued)

1 Claim, 4 Drawing Sheets



(56)

References Cited

U.S. PATENT DOCUMENTS

1,396,204 A * 11/1921 Hess A41B 3/02
2/131
1,478,583 A * 12/1923 Schlesinger A41D 27/16
2/60
1,484,187 A * 2/1924 O'Neill A41B 7/12
2/60
1,489,936 A * 4/1924 Eubank A41B 7/10
2/124
1,620,319 A * 3/1927 Bennett A41B 7/00
112/423
1,670,644 A * 5/1928 Weiner A41B 7/00
D2/858
1,677,504 A * 7/1928 Sweetser A41B 3/08
2/129
1,873,145 A * 8/1932 Packett A41B 3/04
2/139
1,989,638 A * 1/1935 Goldschmidt A41B 7/10
2/123
2,018,187 A * 10/1935 Eemu A41B 7/02
2/123
2,180,758 A * 11/1939 Honigsberg A41B 3/12
2/60
2,447,106 A * 8/1948 Wegener, Jr. A41B 7/06
2/124
2,717,389 A * 9/1955 Gribble A45D 44/08
2/50
2,736,032 A * 2/1956 Bode A41B 7/10
2/124
2,744,252 A * 5/1956 Marya A45D 44/08
2/50
2,851,690 A * 9/1958 Jennings A45D 44/08
2/50
2,892,909 A * 6/1959 Donna A45D 44/08
2/50
2,994,885 A * 8/1961 Simpson A41B 7/00
2/123
D193,760 S * 10/1962 Sanders D2/858
3,060,447 A * 10/1962 Joanna A41B 3/06
2/132
D207,090 S * 3/1967 Kay D2/858
D209,385 S * 11/1967 Kay 2/124
3,533,108 A * 10/1970 Feldser A41B 7/06
2/124
3,798,674 A * 3/1974 Daniel A45D 44/08
D2/602
3,843,972 A * 10/1974 Weinkle A41B 7/04
2/123
4,709,420 A * 12/1987 Gettinger A45D 44/08
2/50
D341,921 S * 12/1993 Trost D2/858
5,274,853 A * 1/1994 Millican A41B 3/02
2/129
D402,441 S * 12/1998 Kelly D2/858

6,212,685 B1 * 4/2001 Kelly A44B 5/00
2/270
6,401,246 B1 * 6/2002 Perez A45D 44/08
2/50
6,430,747 B1 * 8/2002 Lee A41B 7/00
2/124
7,146,647 B2 * 12/2006 Krause A41B 3/00
2/129
D608,050 S * 1/2010 Sangurima D28/10
7,788,735 B1 * 9/2010 Foulks A41B 13/10
2/50
D646,468 S * 10/2011 Arrindell D2/858
8,161,572 B1 * 4/2012 Rorke A41D 31/065
2/50
8,549,664 B2 * 10/2013 Kahler-Huard A45D 44/08
2/50
9,009,866 B2 * 4/2015 Blakely A41B 7/04
2/124
D764,768 S * 8/2016 McGrath D2/858
9,756,879 B2 * 9/2017 Roup A41B 1/12
D815,804 S * 4/2018 Cirigliano D2/860
2002/0020001 A1 * 2/2002 Kelly A44B 5/00
2/123
2007/0118955 A1 * 5/2007 Kapadia A41D 27/02
2/69
2010/0100996 A1 * 4/2010 Zitscher A45D 44/08
2/50
2010/0205712 A1 * 8/2010 Bish A45D 44/08
2/50
2011/0289645 A1 * 12/2011 Kahler-Huard A45D 44/08
2/50
2013/0318683 A1 * 12/2013 Blakely A41B 7/10
2/124
2014/0201881 A1 * 7/2014 Musto A45D 44/08
2/46
2015/0320180 A1 * 11/2015 McGuire A45D 44/08
2/50
2015/0374102 A1 * 12/2015 Velasquez, Jr. A45D 44/08
2/50
2016/0029773 A1 * 2/2016 Galik A45D 44/08
2/50
2016/0278505 A1 * 9/2016 Hobgood A45D 44/08
2018/0110317 A1 * 4/2018 Girod A62B 17/006
2018/0235350 A1 * 8/2018 Engblom A45D 44/08
2020/0138172 A1 * 5/2020 Tojo A44B 18/008

OTHER PUBLICATIONS

Manito Baby Shampoo Shower Hat posted to amazon.com. Available date: Mar. 21, 2015 [site visited Mar. 8, 2022] Available: <<https://www.amazon.com/Manito-Shampoo-Shower-Shield-Strawberry/dp/B00792KRAA?th=1>> (Year: 2015).*

* cited by examiner

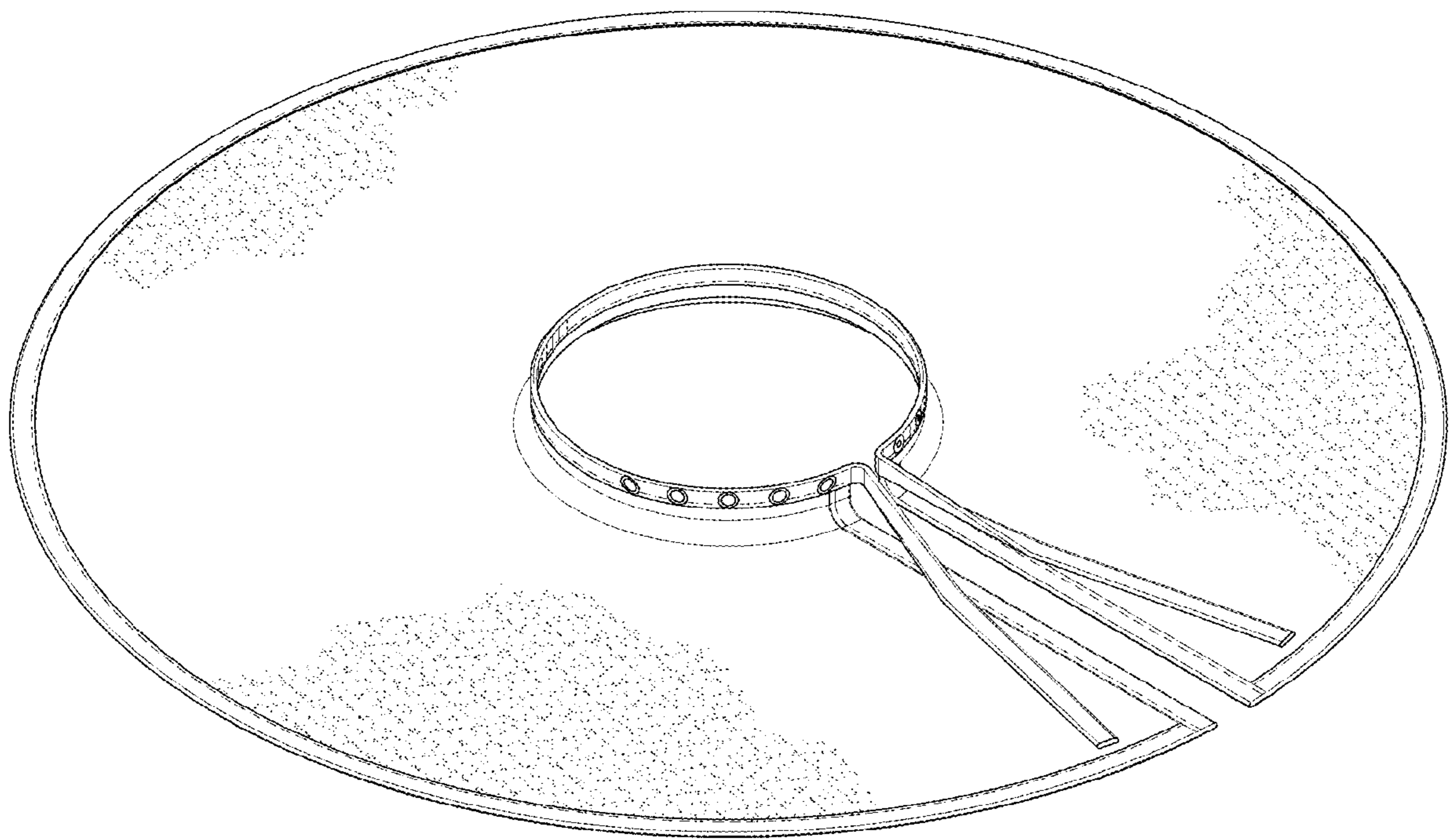


Fig. 1

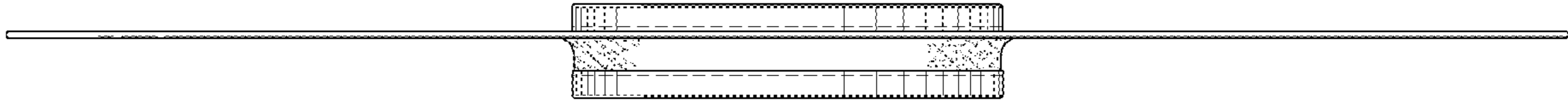


Fig. 4

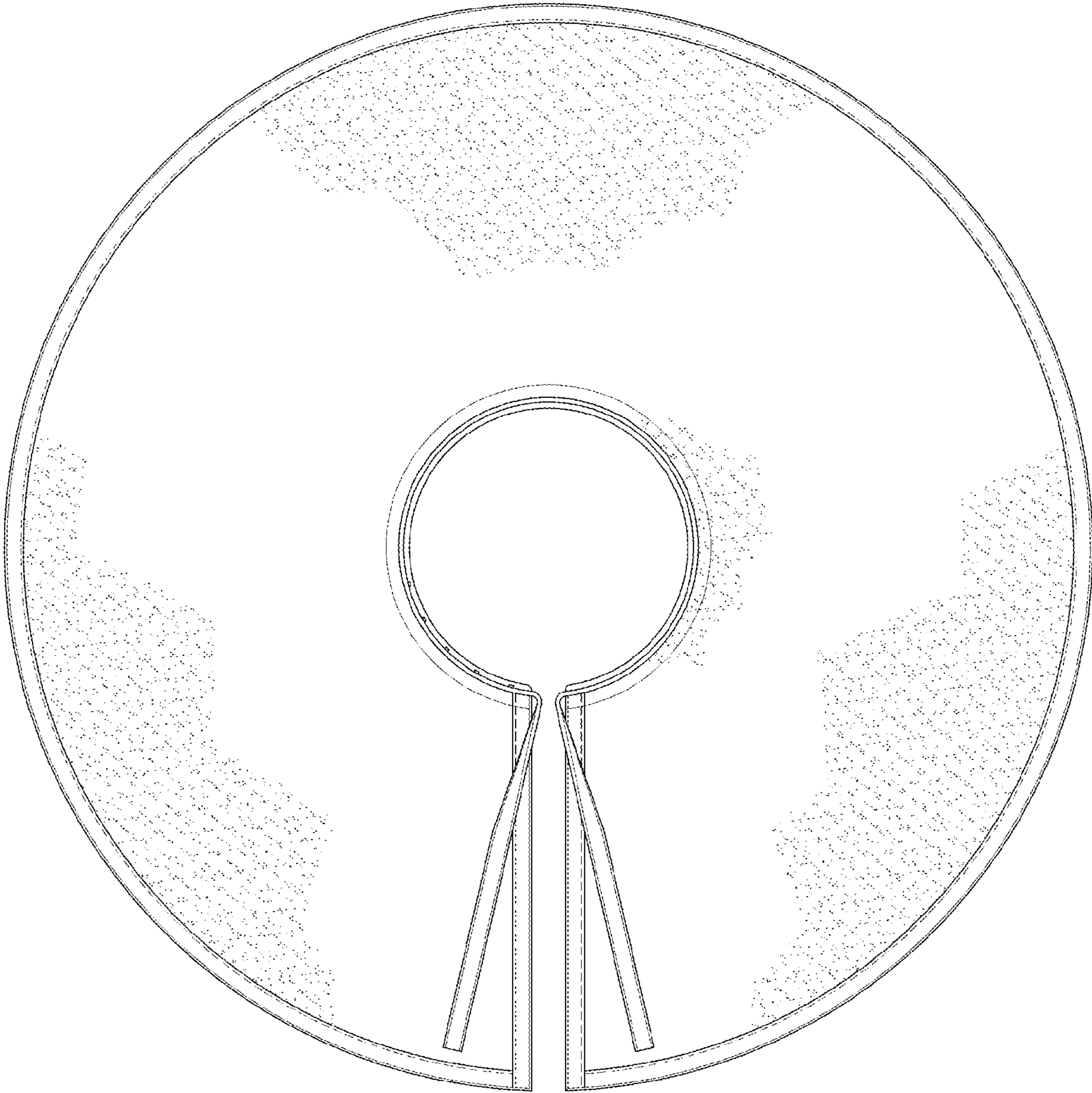


Fig. 2

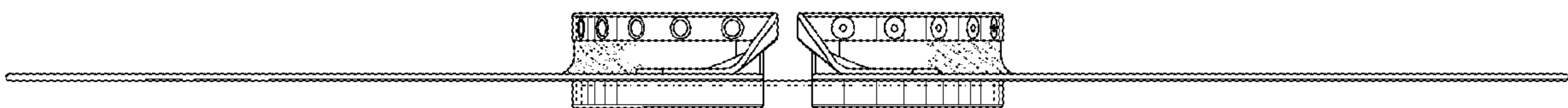


Fig. 3

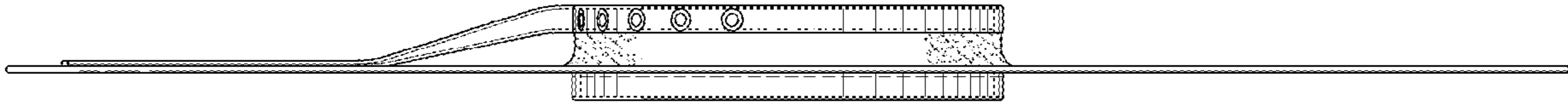


Fig. 6

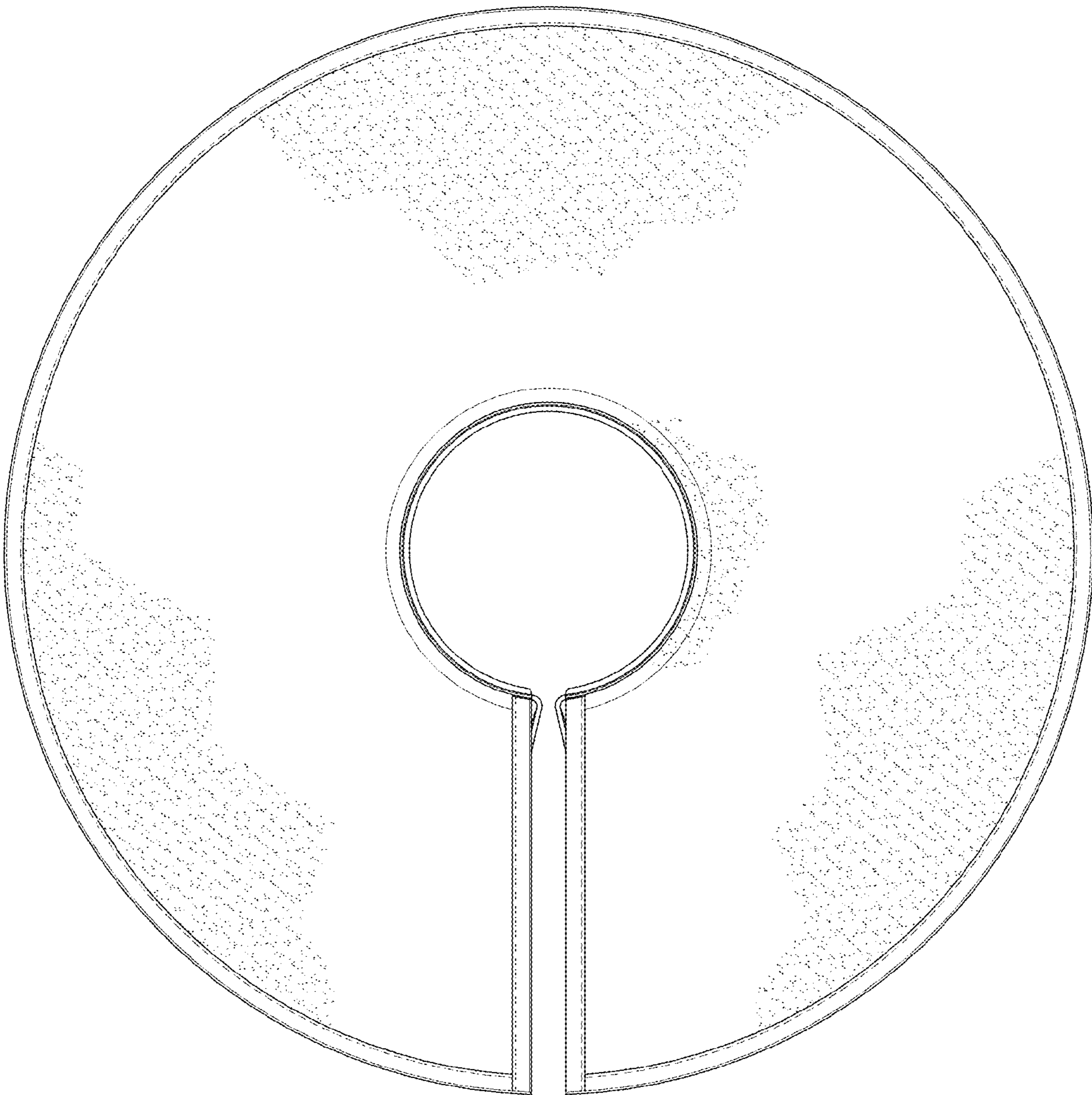


Fig. 5

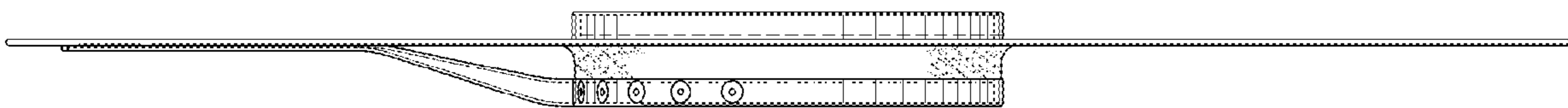


Fig. 7

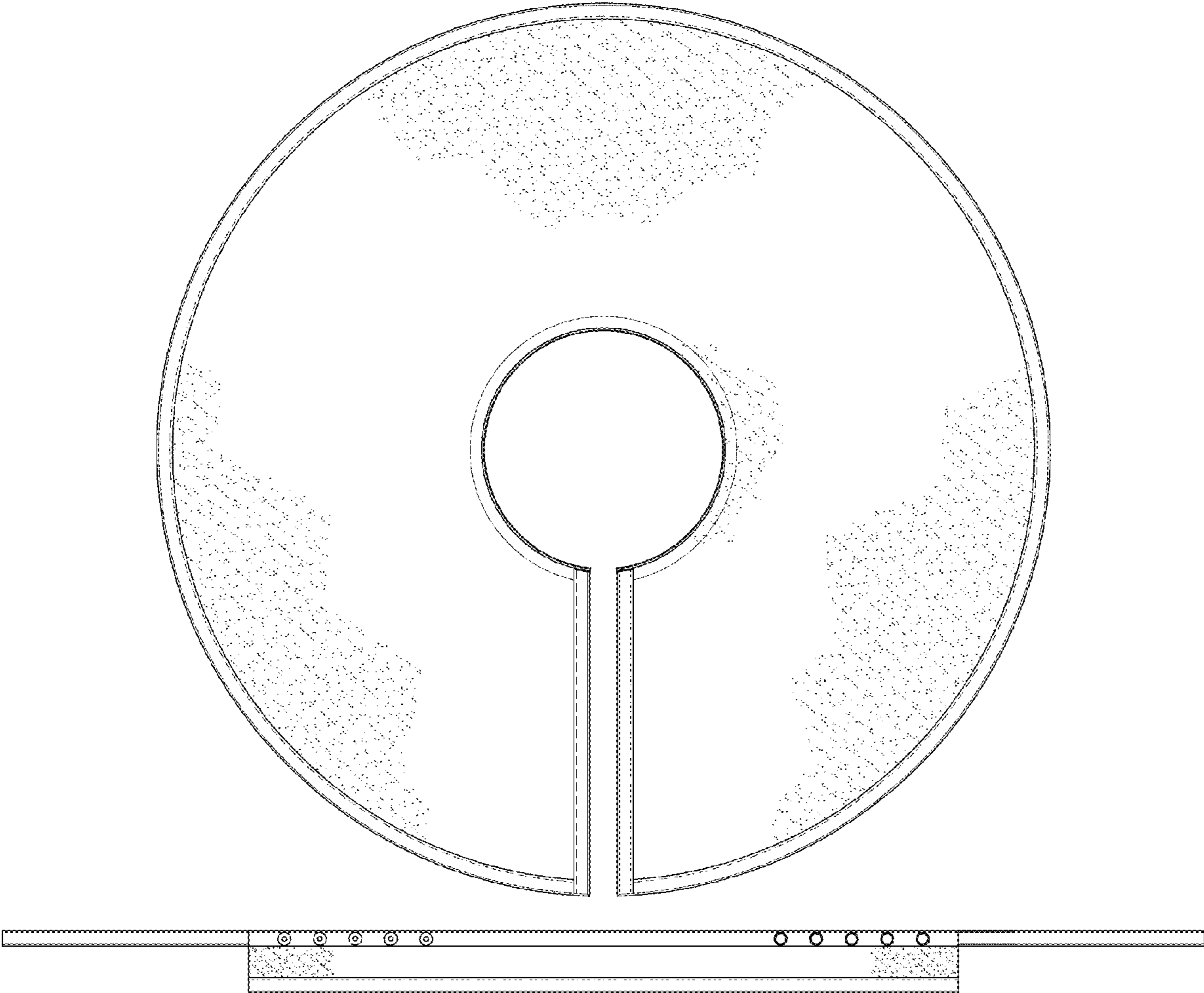


Fig. 8