



US00D958491S

(12) **United States Design Patent**  
**Riley et al.**

(10) **Patent No.:** **US D958,491 S**  
(45) **Date of Patent:** **\*\* Jul. 26, 2022**

(54) **PANTS**

(71) Applicant: **TARGET BRANDS, INC.**,  
Minneapolis, MN (US)

(72) Inventors: **Jennifer Riley**, Forest Lake, MN (US);  
**Melanie Balasa-Flottman**, Hopkins,  
MN (US)

(73) Assignee: **Target Brands, Inc.**, Minneapolis, MN  
(US)

(\*\*) Term: **15 Years**

(21) Appl. No.: **29/759,486**

(22) Filed: **Nov. 23, 2020**

(51) **LOC (13) Cl.** ..... **02-02**

(52) **U.S. Cl.**  
USPC ..... **D2/742**

(58) **Field of Classification Search**  
USPC ..... D2/742, 731, 728  
(Continued)

(56) **References Cited**

**U.S. PATENT DOCUMENTS**

581,419 A 4/1897 Hamer  
1,691,057 A 11/1928 Greilich  
(Continued)

**FOREIGN PATENT DOCUMENTS**

GB 616395 A 1/1949

**OTHER PUBLICATIONS**

Comfort Stretch Zip Hem Denim Jeggings, reviewed as early as 2019 [online], (retrieved May 4, 2022). Retrieved from the internet, <https://www.talbots.com/comfort-stretch-zip-hem-denim-jeggings---washed-black/P183161428.html> (Year: 2019).\*

(Continued)

*Primary Examiner* — Kevin K Rudzinski

*Assistant Examiner* — J. Thorn, Sr.

(74) *Attorney, Agent, or Firm* — JoAnn M. Seaton;  
Griffiths & Seaton PLLC

(57) **CLAIM**

The ornamental design for pants, as shown and described.

**DESCRIPTION**

FIG. 1 is a front perspective view of pants showing one embodiment of our new design with closed lower leg zippers;

FIG. 2 is a front view thereof;

FIG. 3 is a rear view thereof;

FIG. 4 is a right side view thereof;

FIG. 5 is a left side view thereof;

FIG. 6 is a top view thereof; and

FIG. 7 is a bottom view thereof.

FIG. 8 is a front perspective view of pants showing our new design with opened lower leg zippers;

FIG. 9 is a front view thereof;

FIG. 10 is a rear view thereof;

FIG. 11 is a right side view thereof;

FIG. 12 is a left side view thereof;

FIG. 13 is a top view thereof; and

FIG. 14 is a bottom view thereof.

FIG. 15 is a front perspective view of pants, showing the second embodiment of our new design with closed lower leg zippers;

FIG. 16 is a front view thereof;

FIG. 17 is a rear view thereof;

FIG. 18 is a right side view thereof;

FIG. 19 is a left side view thereof;

FIG. 20 is a top view thereof; and

FIG. 21 is a bottom view thereof.

FIG. 22 is a front perspective view of pants showing our new design with opened lower leg zippers;

FIG. 23 is a front view thereof;

FIG. 24 is a rear view thereof;

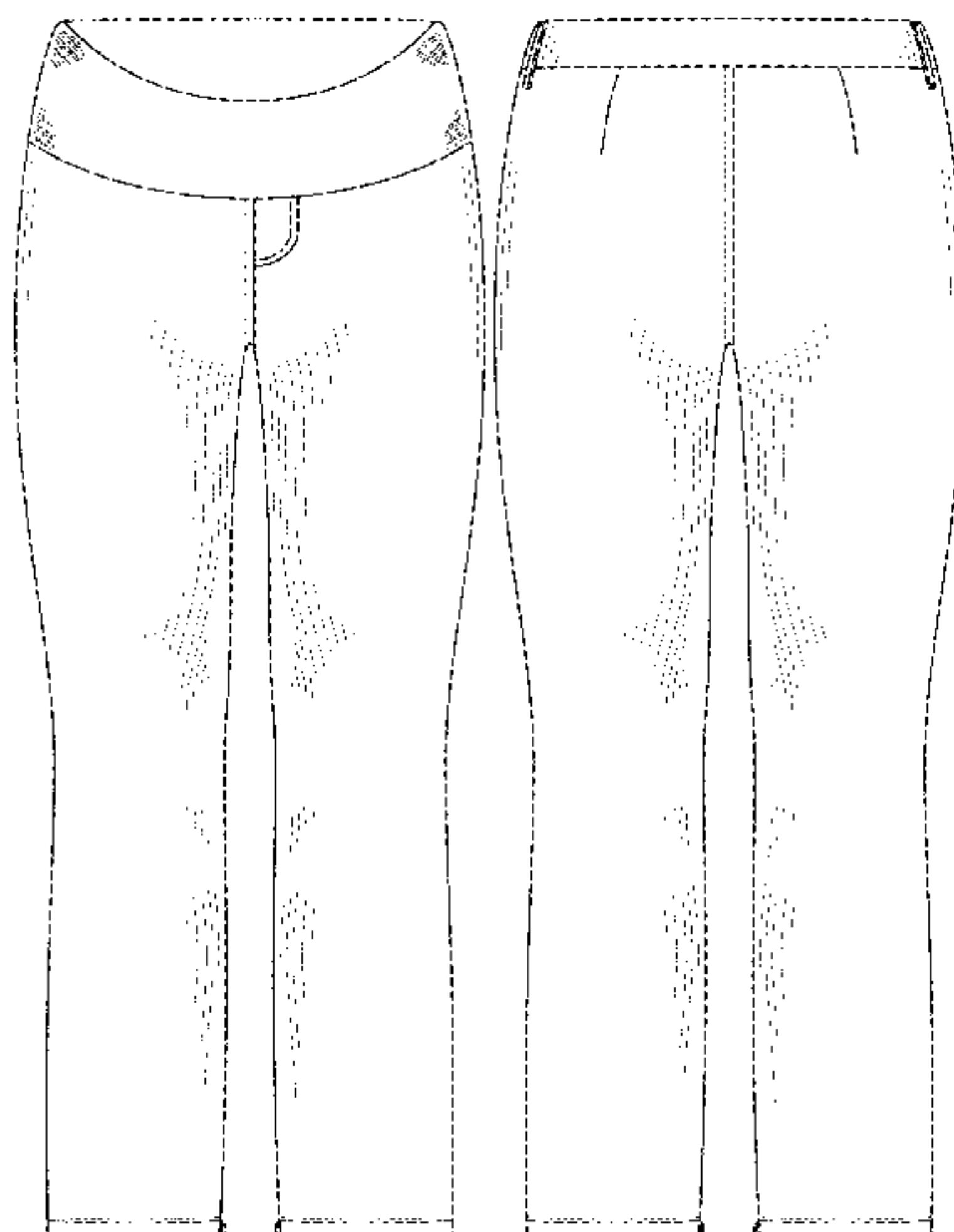
FIG. 25 is a right side view thereof;

FIG. 26 is a left side view thereof;

FIG. 27 is a top view thereof; and

FIG. 28 is a bottom view thereof.

(Continued)



The broken lines illustrate portions of the pants forming no part of the claimed design. The features shown in long dash-short dash bolded broken lines indicate the bounds of the claimed design and otherwise form no part of the claimed design.

**1 Claim, 20 Drawing Sheets**

**(58) Field of Classification Search**

CPC ..... A41D 1/06; A41D 1/21; A41D 2300/322  
See application file for complete search history.

**(56) References Cited**

U.S. PATENT DOCUMENTS

1,861,704	A	6/1932	Manke	
2,269,380	A	1/1942	Plimpton	
2,317,768	A	4/1943	Holland et al.	
2,349,974	A	5/1944	McMasters	
2,714,720	A	8/1955	Turner, Jr.	
2,967,308	A	1/1961	Freese, Jr.	
3,110,903	A	11/1963	Burchard	
D513,660	S *	1/2006	Greene	D2/742
7,181,775	B2	2/2007	Carney	
D614,378	S *	4/2010	Viola	D2/742
D640,041	S *	6/2011	Flora	D2/742
D768,359	S *	10/2016	Lago	D2/742
D769,578	S *	10/2016	Gomes	D2/742
9,717,282	B1	8/2017	Hays et al.	
D831,935	S *	10/2018	Ly	D2/742
10,362,814	B2	7/2019	North et al.	
D876,752	S *	3/2020	Francis	D2/742
D935,136	S *	11/2021	Freddi	D2/742
D945,746	S *	3/2022	Rabin	D2/742
2002/0138893	A1	10/2002	Culhane	
2004/0078865	A1	4/2004	Culane	
2005/0246819	A1 *	11/2005	Tucker	A41D 1/06 2/227
2006/0010571	A1	1/2006	Oakley	
2007/0136930	A1	6/2007	DiPietro	
2008/0172769	A1	7/2008	Herget	
2009/0049583	A1	2/2009	Stones	
2009/0049584	A1	2/2009	Stones	
2010/0170026	A1	7/2010	Jeffords	
2012/0304361	A1	12/2012	Jeffords	
2014/0366247	A1 *	12/2014	Mize	A41D 1/06 2/227

OTHER PUBLICATIONS

Maternity Jolie Dark Wash Under Bump Relaxed Skinny Jeans, reviewed Apr. 2022 [online], (retrieved May 4, 2022). Retrieved

from the internet, [https://www.matalan.co.uk/product/detail/s2842937\\_c045/maternity-jolie-under-bump-relaxed-skinny-jeans-darkwash](https://www.matalan.co.uk/product/detail/s2842937_c045/maternity-jolie-under-bump-relaxed-skinny-jeans-darkwash) (Year: 2022).\*

Moto Leggings Zipper Stretchy Motto Skinny Jeans, posted Nov. 13, 2017 [online], (retrieved May 4, 2022). Retrieved from the internet, <https://www.amazon.com/Leggings-Zipper-Stretchy-Jeggings-Pleated/dp/B077D7T241?th=1> (Year: 2017).\*

Hybrid & Company Super Comfy Stretch Women's Maternity, posted Nov. 10, 2016 [online], (retrieved Oct. 11, 2019). Retrieved from the internet, [https://www.amazon.com/dp/B01N03DY4O/ref=sspa\\_dk\\_detail\\_4?pf\\_rd\\_p=57cbdc41-b731-4e3d-aca7-49078b13a07b&pd\\_rd\\_wg=QdAlx&pf\\_rd\\_r=8%E2%80%A6](https://www.amazon.com/dp/B01N03DY4O/ref=sspa_dk_detail_4?pf_rd_p=57cbdc41-b731-4e3d-aca7-49078b13a07b&pd_rd_wg=QdAlx&pf_rd_r=8%E2%80%A6) (Year: 2016).\*

"Comfortable And Fashionable Adapted Jeans", printed from <http://adaptingcreatively.blogspot.com/2012/09/comfortable-and-fashionable-adapted.html>, publicly available at least as early as Sep. 2012 (6 pages).

"Signature by Levi Strauss & Co. Gold Label Women's Maternity Baby Bump Skinny Jeans", printed from [www.amazon.com/Signature-Levi-Strauss-Gold-Label/dp/B07JMXMN7L](http://www.amazon.com/Signature-Levi-Strauss-Gold-Label/dp/B07JMXMN7L), publicly available at least as early as Jul. 17, 2019 (10 pages).

"Wheelchair Jeans for Men with High Back Rise", printed from [www.silverts.com/show.php/product/41050-wheelchair-jeans-for-men-quality-denim-for-wheelchair-comfort/alt-web](http://www.silverts.com/show.php/product/41050-wheelchair-jeans-for-men-quality-denim-for-wheelchair-comfort/alt-web), publicly available at least as early as Jan. 12, 2018 (8 pages).

Conner, Andrew. "Adaptive Is the New Black", printed from [www.mda.org/quest/article/adaptive-new-black](http://www.mda.org/quest/article/adaptive-new-black), publicly available Nov. 6, 2018 (4 pages).

"Belt Loops", printed from [www.heddels.com/dictionary/belt-loops/](http://www.heddels.com/dictionary/belt-loops/), publicly available at least as early as Jun. 25, 2020 (5 pages).

"Custom Clothing Made for Wheelchair Users", printed from <https://wheelchairapparel.com/>, publicly available at least as early as Dec. 18, 2014, per <http://web.archive.org> (6 pages).

"Fragment Of The Top Of The Used Black Jeans With Waistband", printed from [www.123rf.com/photo\\_90679262\\_fragment-of-the-top-of-the-used-jeans-with-waistband-belt-loop-reinforcing-by-copper-rivets-po.html](http://www.123rf.com/photo_90679262_fragment-of-the-top-of-the-used-jeans-with-waistband-belt-loop-reinforcing-by-copper-rivets-po.html), publicly available at least as early as Jun. 25, 2020 (4 pages).

"Sewing Belt Loops", printed from [www.quora.com/Is-there-another-way-of-sewing-belt-loops-that-commercial-jeans-always-have-that-and-Id-like-to-avoid-it-when-sewing](http://www.quora.com/Is-there-another-way-of-sewing-belt-loops-that-commercial-jeans-always-have-that-and-Id-like-to-avoid-it-when-sewing), publicly available Apr. 8, 2019 (7 pages).

"Maternity Blue 'Lift & Shape' Under Bump Jeggings", printed from [www.newlook.com/uk/womens/clothing/jeans/maternity-blue-3fdb1aefd9a&awc=1946\\_1593064104\\_1c2bb30563f713cc7395d3fdb1aefd9a](http://www.newlook.com/uk/womens/clothing/jeans/maternity-blue-3fdb1aefd9a&awc=1946_1593064104_1c2bb30563f713cc7395d3fdb1aefd9a), publicly available at least as early as Jun. 25, 2020 (2 pages).

"Mid Wash Straight Leg Maternity Jeans", printed from [www.jojomamanbebe.co.uk/mid-wash-straight-leg-denim-ma...ojo&utm\\_medium=22278&utm\\_campaign=54264&utm\\_term=Skimbit%20LTD](http://www.jojomamanbebe.co.uk/mid-wash-straight-leg-denim-ma...ojo&utm_medium=22278&utm_campaign=54264&utm_term=Skimbit%20LTD), publicly available at least as early as Jun. 25, 2020 (4 pages).

"Fabric of Time Colorado Adaptive Clothing" printed from [www.pinterest.com/pin/667658713482167605/](http://www.pinterest.com/pin/667658713482167605/), publicly available at least as early as Jul. 2, 2020 (1 page).

\* cited by examiner

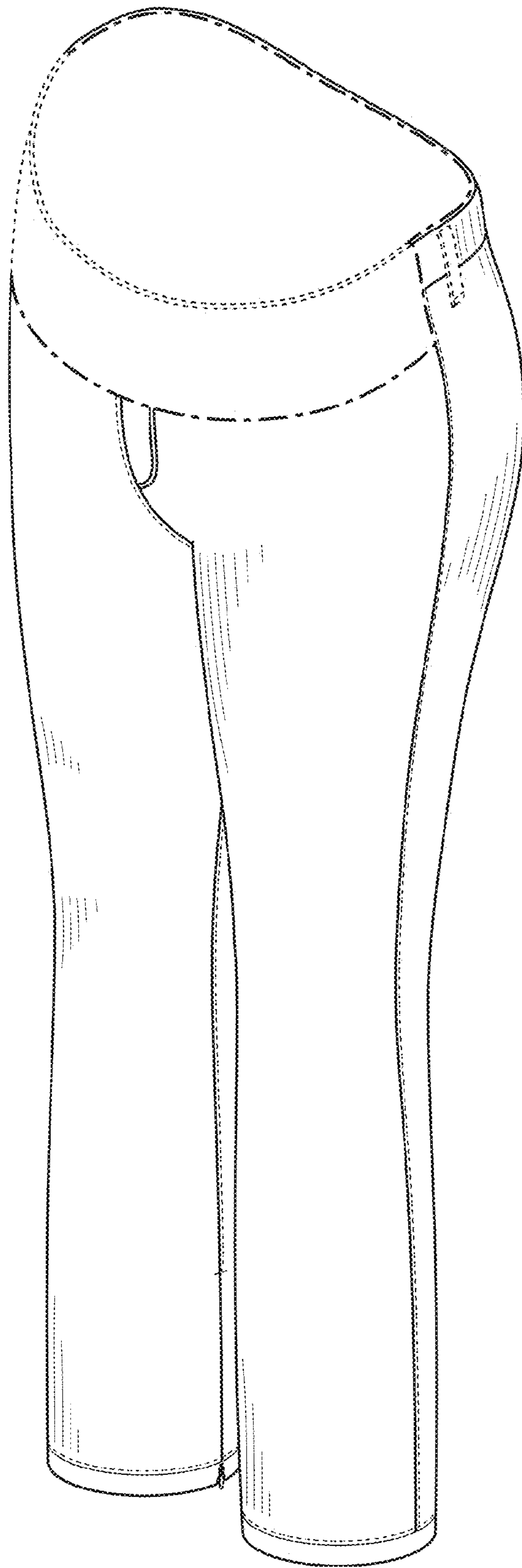


FIG. 1



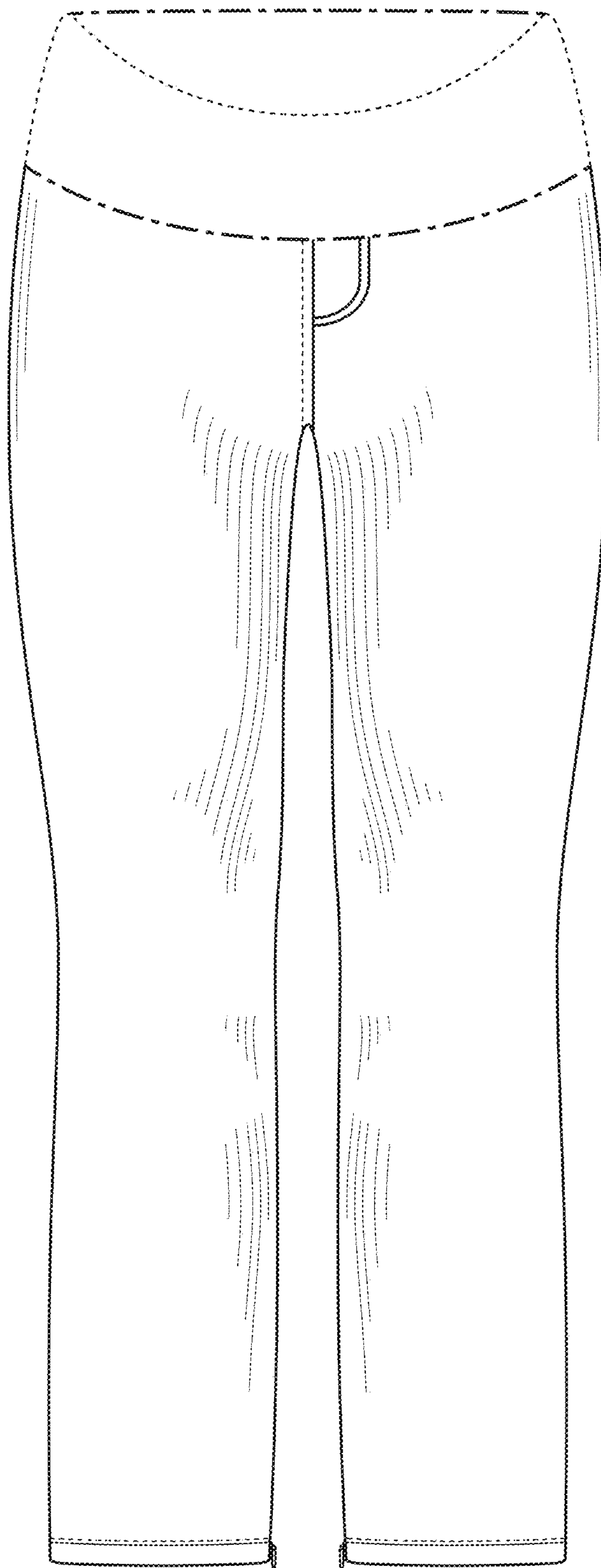


FIG. 2

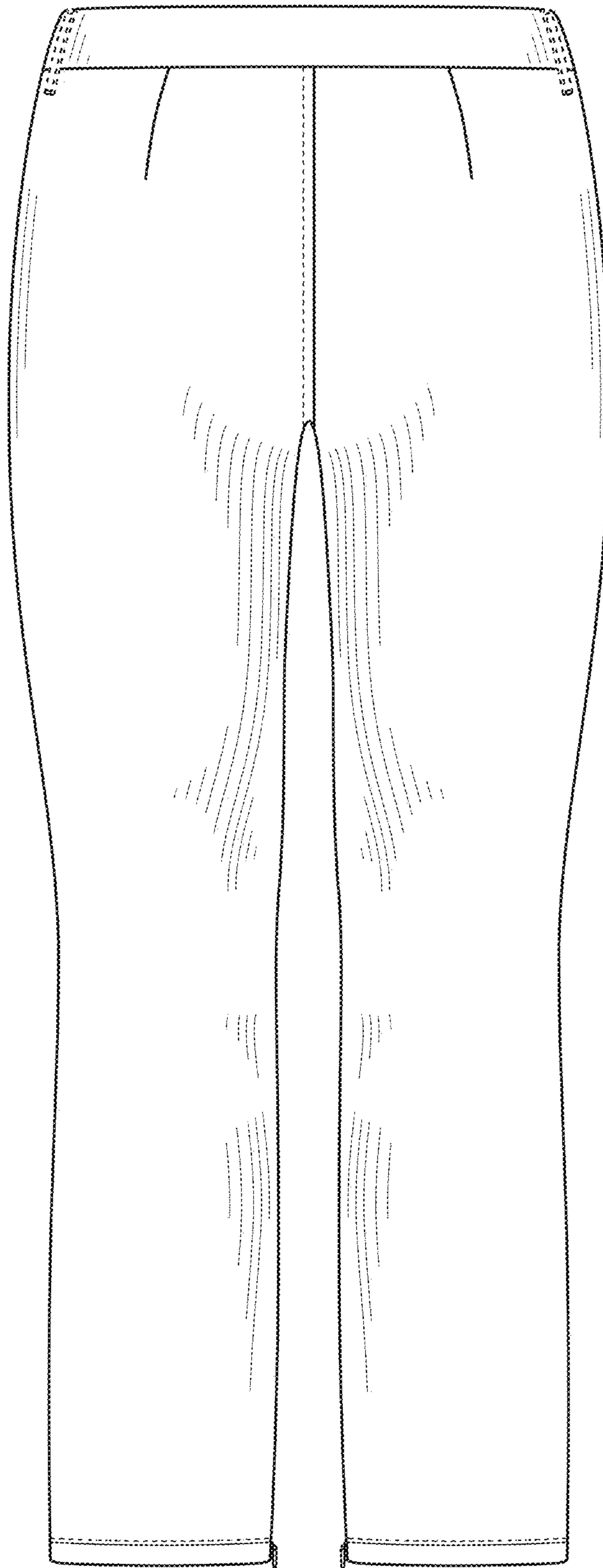


FIG. 3

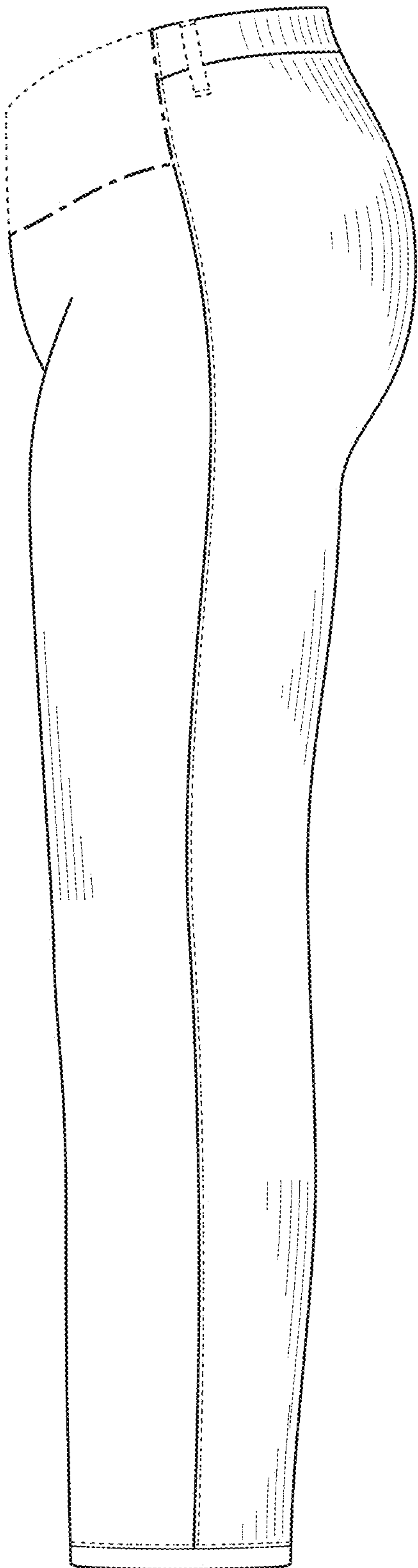


FIG. 4

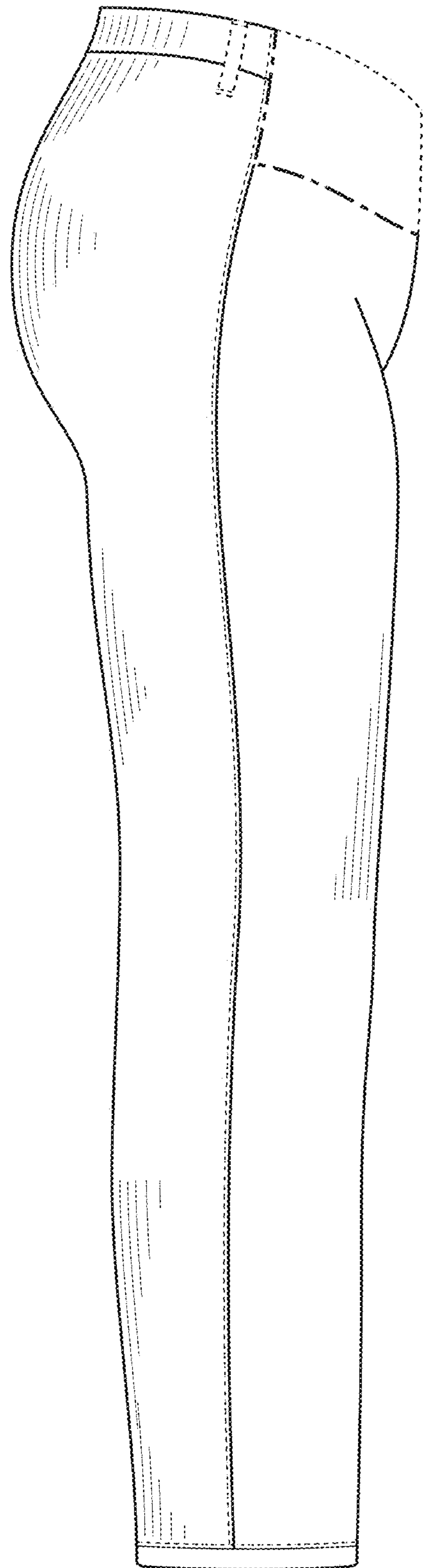
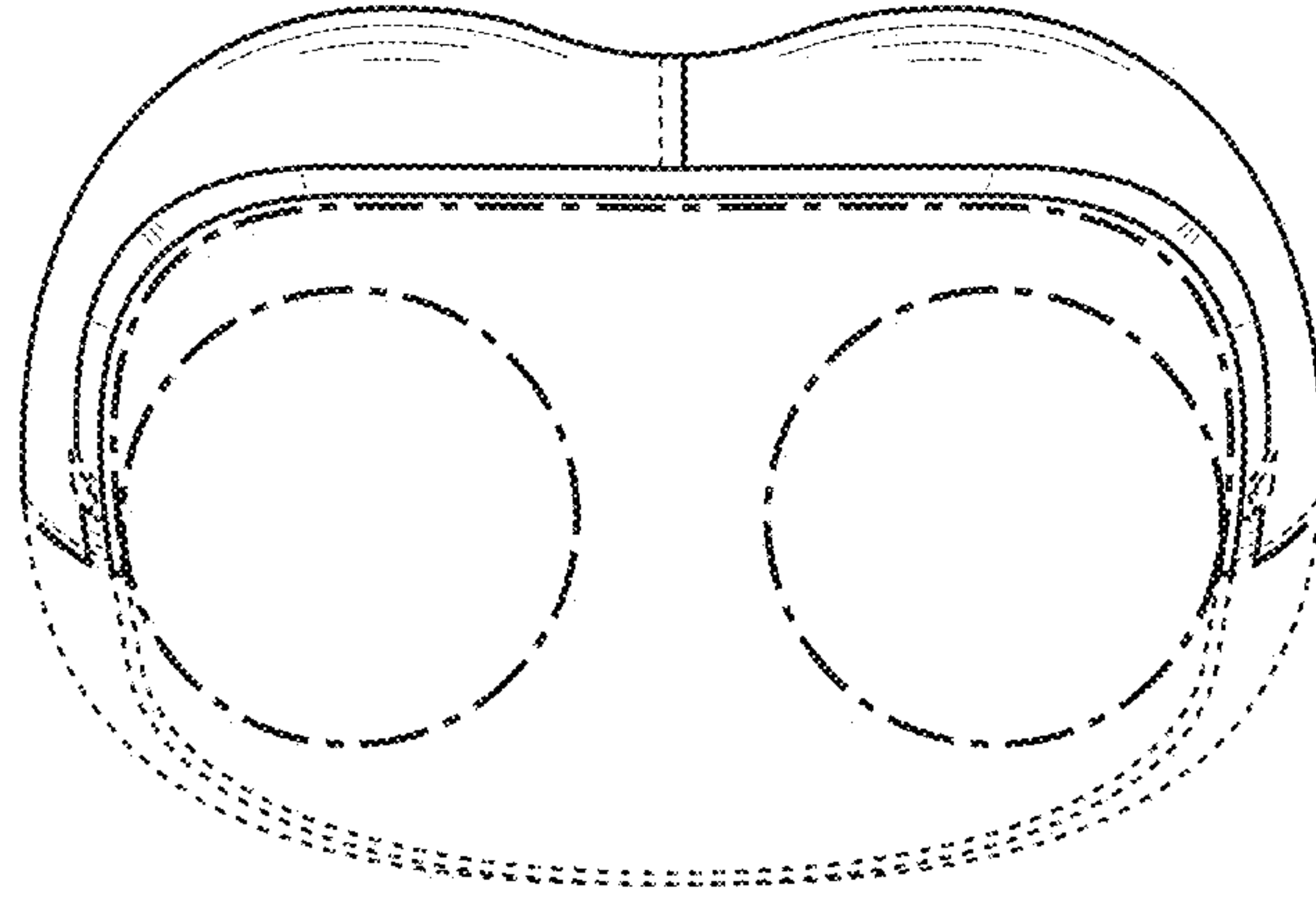
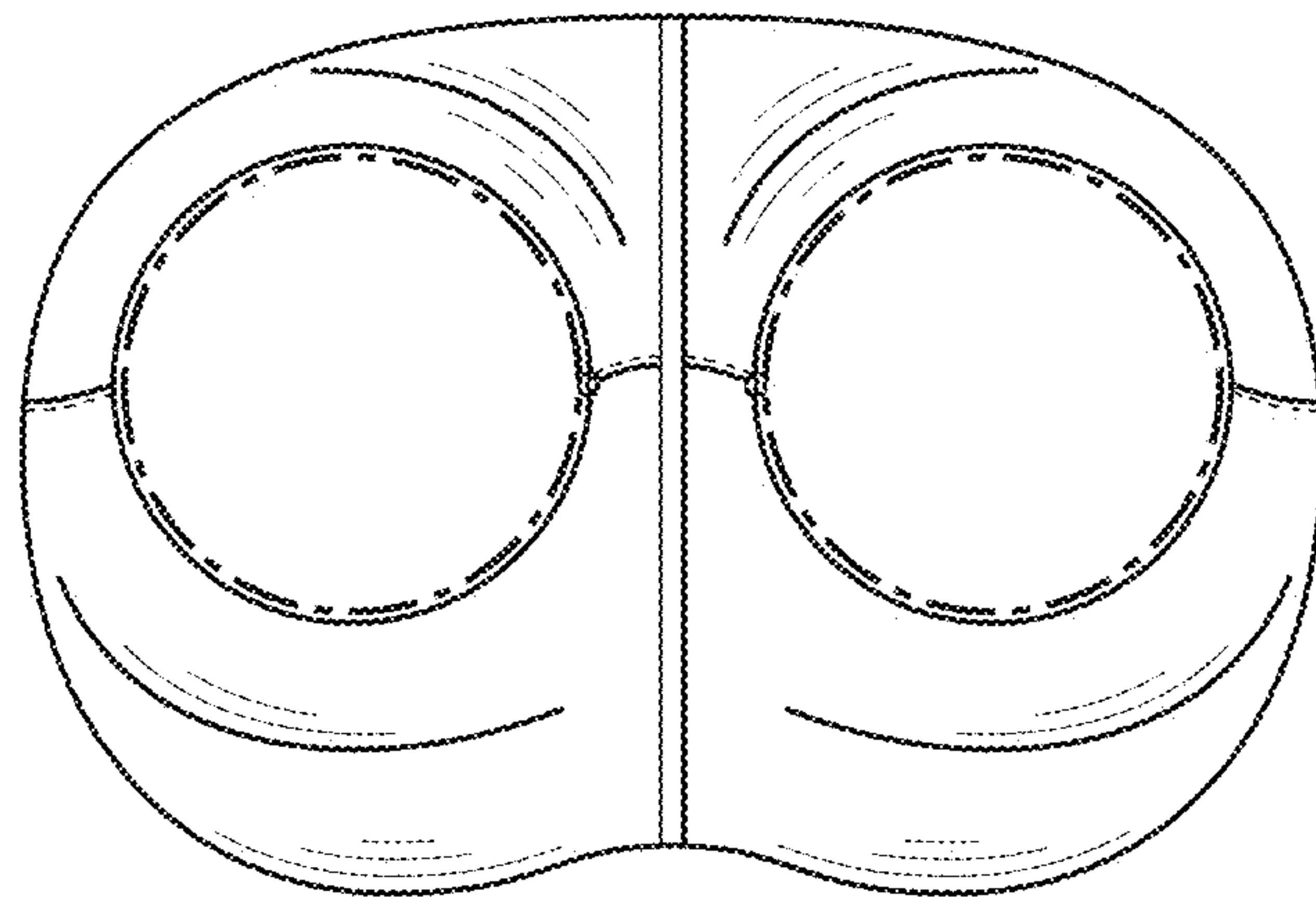


FIG. 5



**FIG. 6**



**FIG. 7**

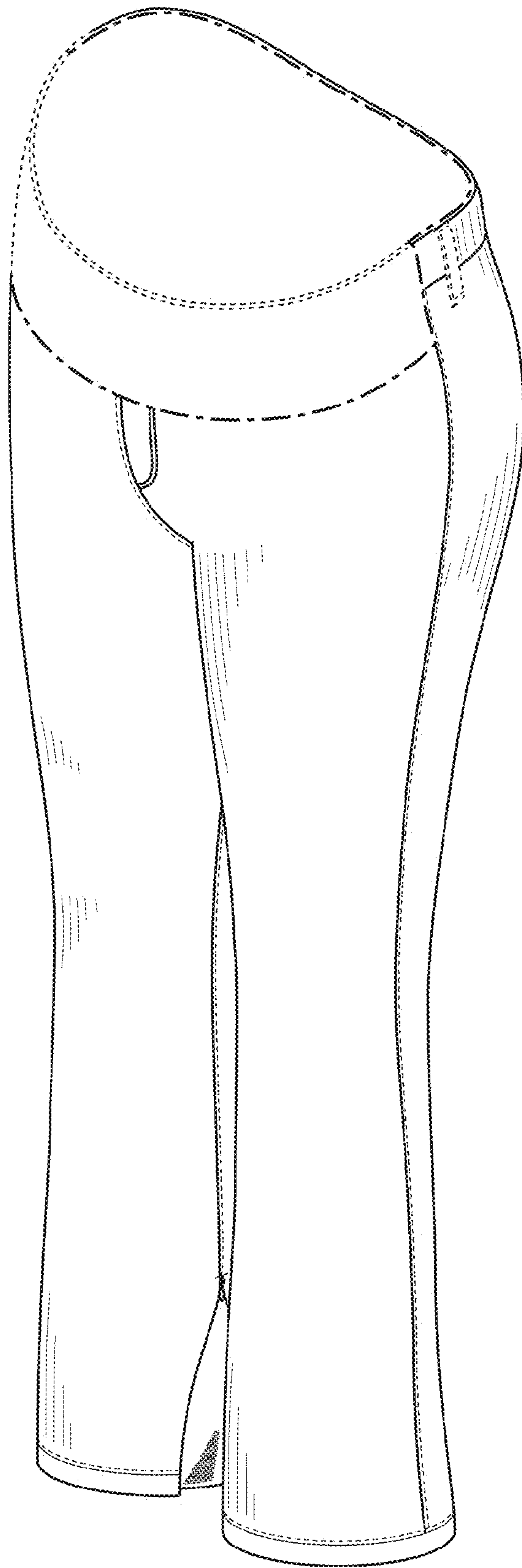


FIG. 8



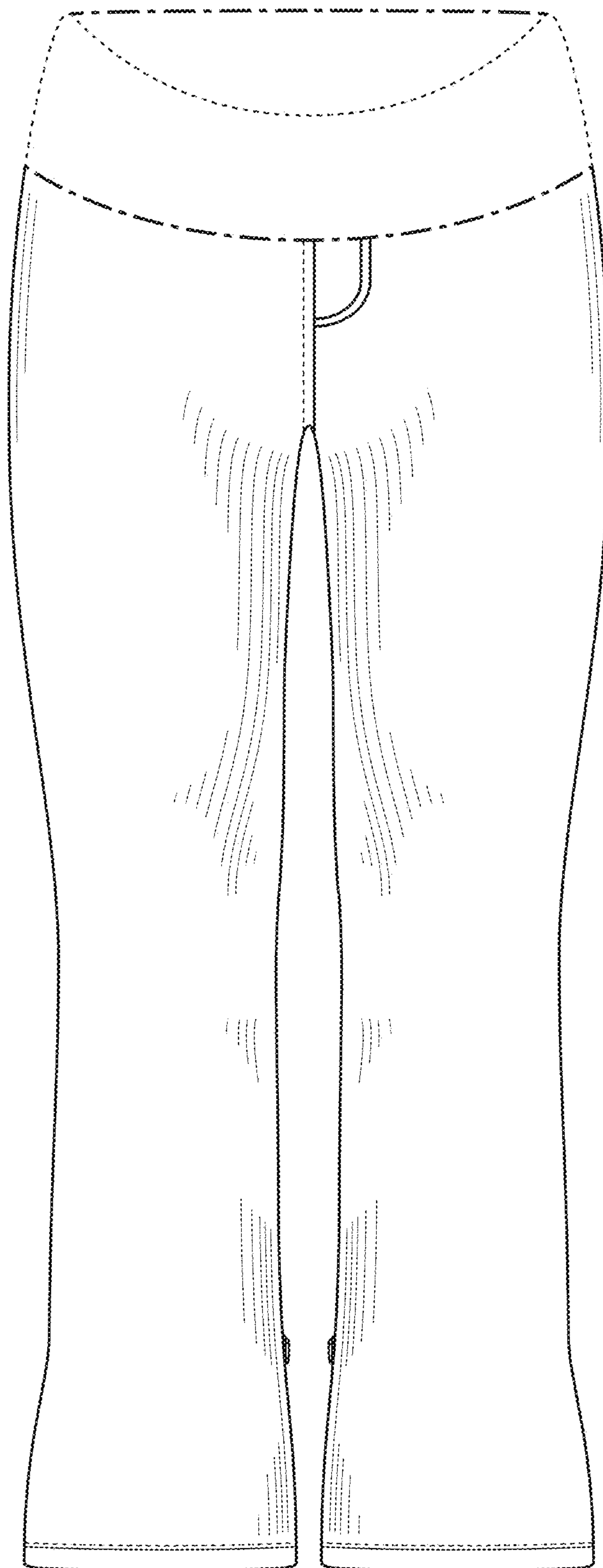


FIG. 9

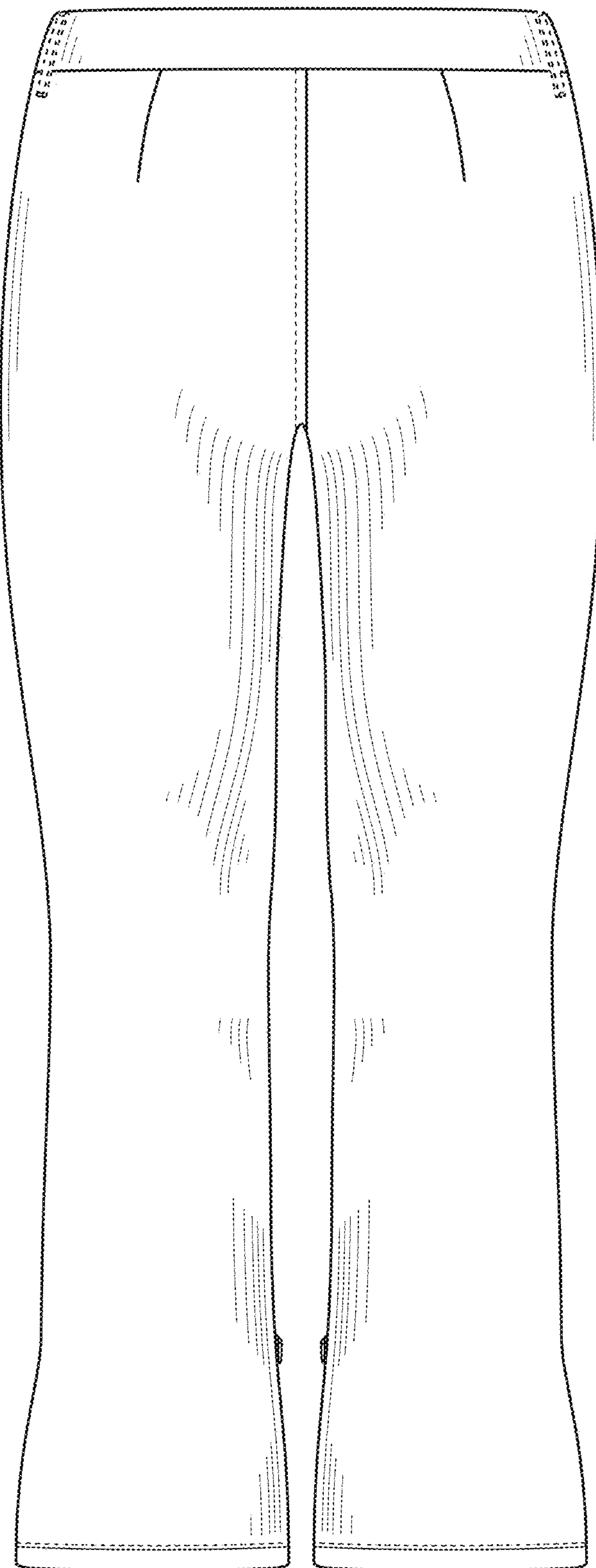


FIG. 10

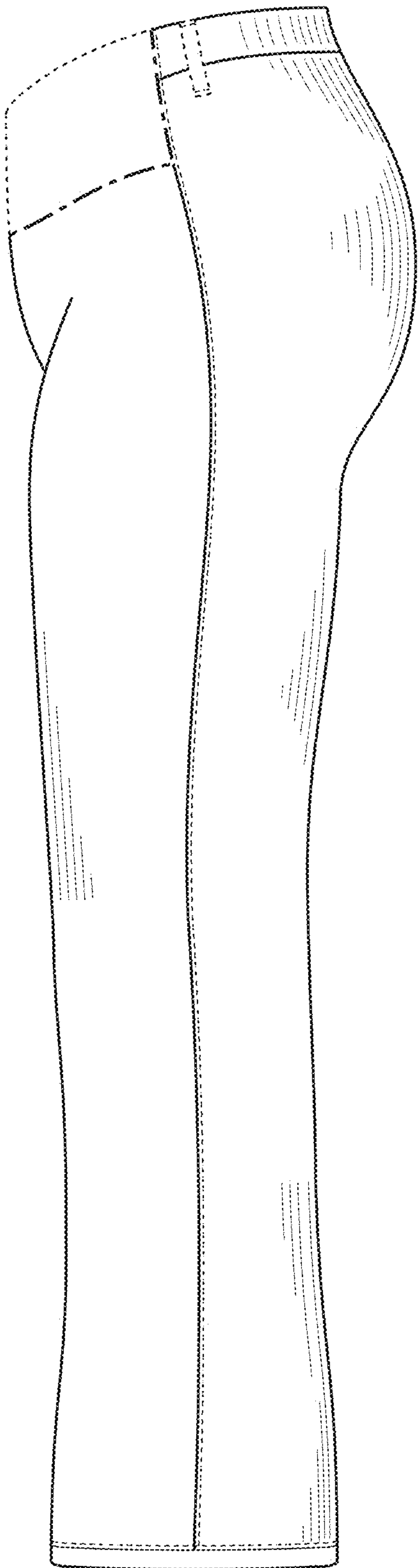


FIG. 11

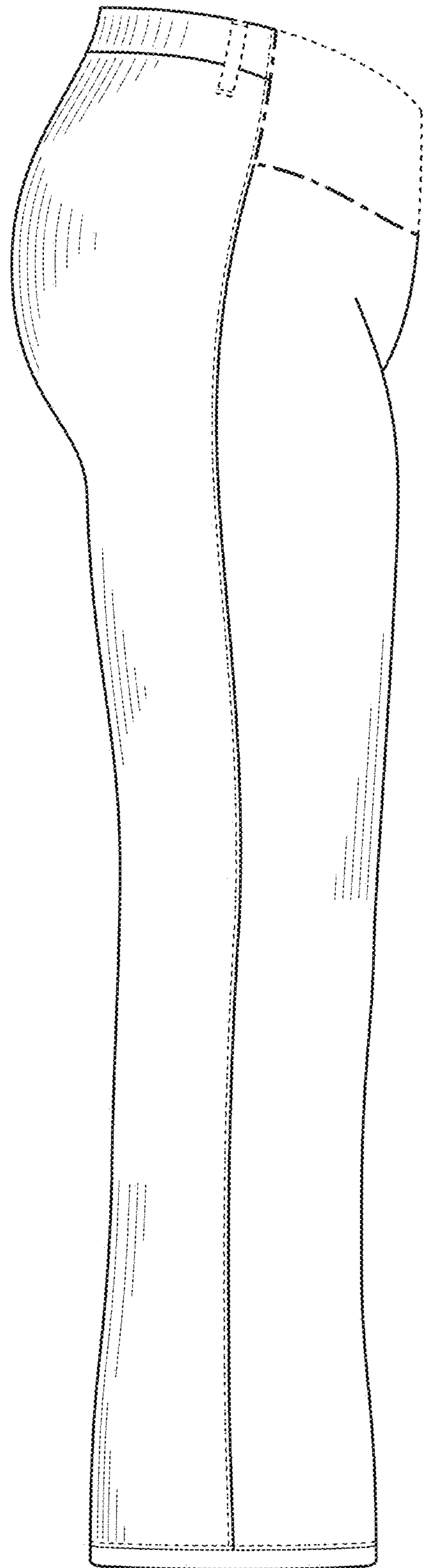
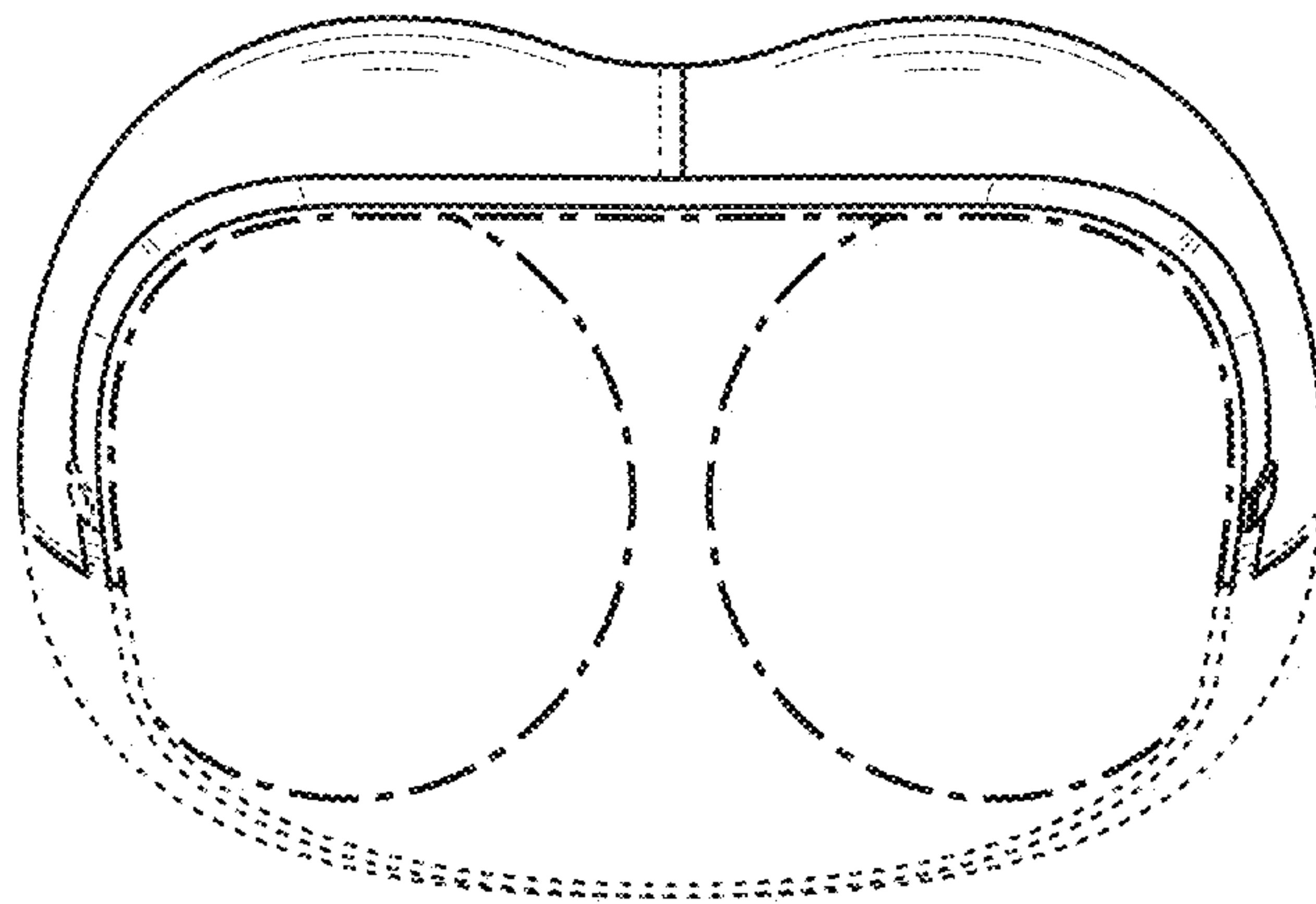
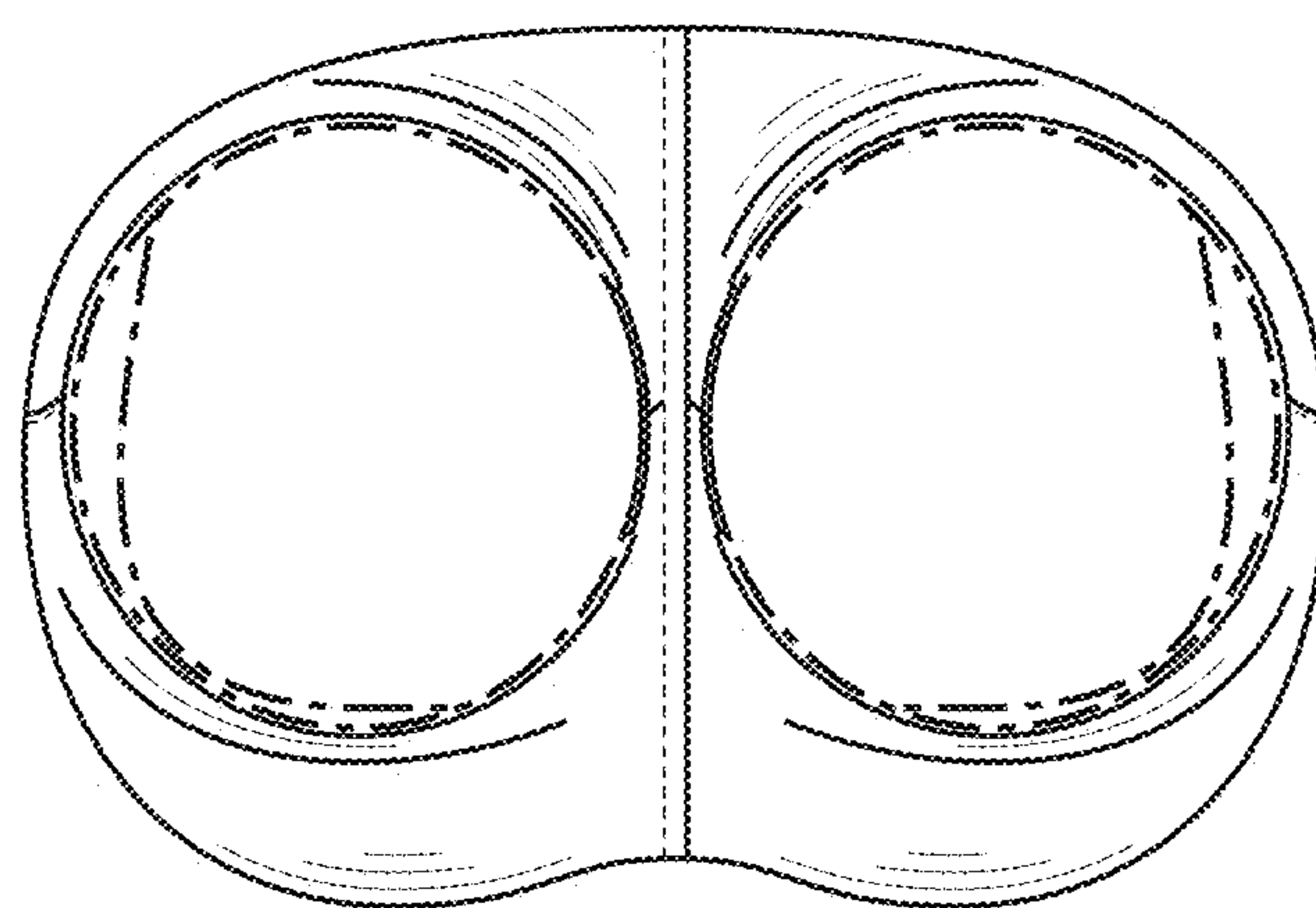


FIG. 12



**FIG. 13**



**FIG. 14**



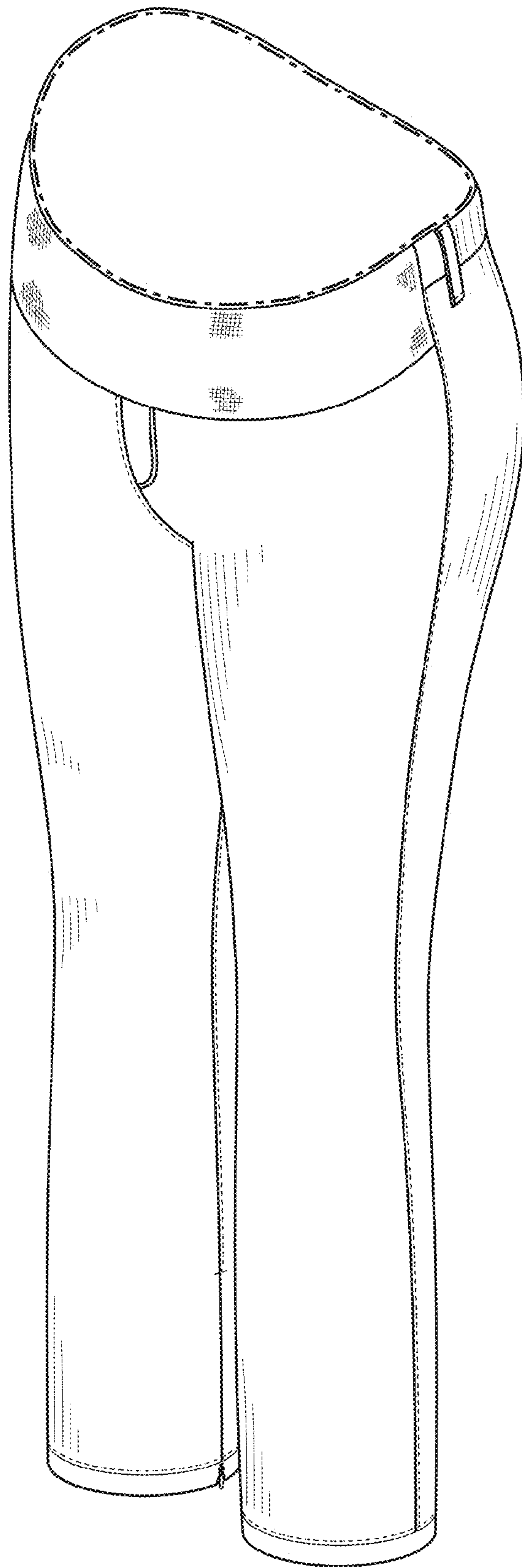


FIG. 15

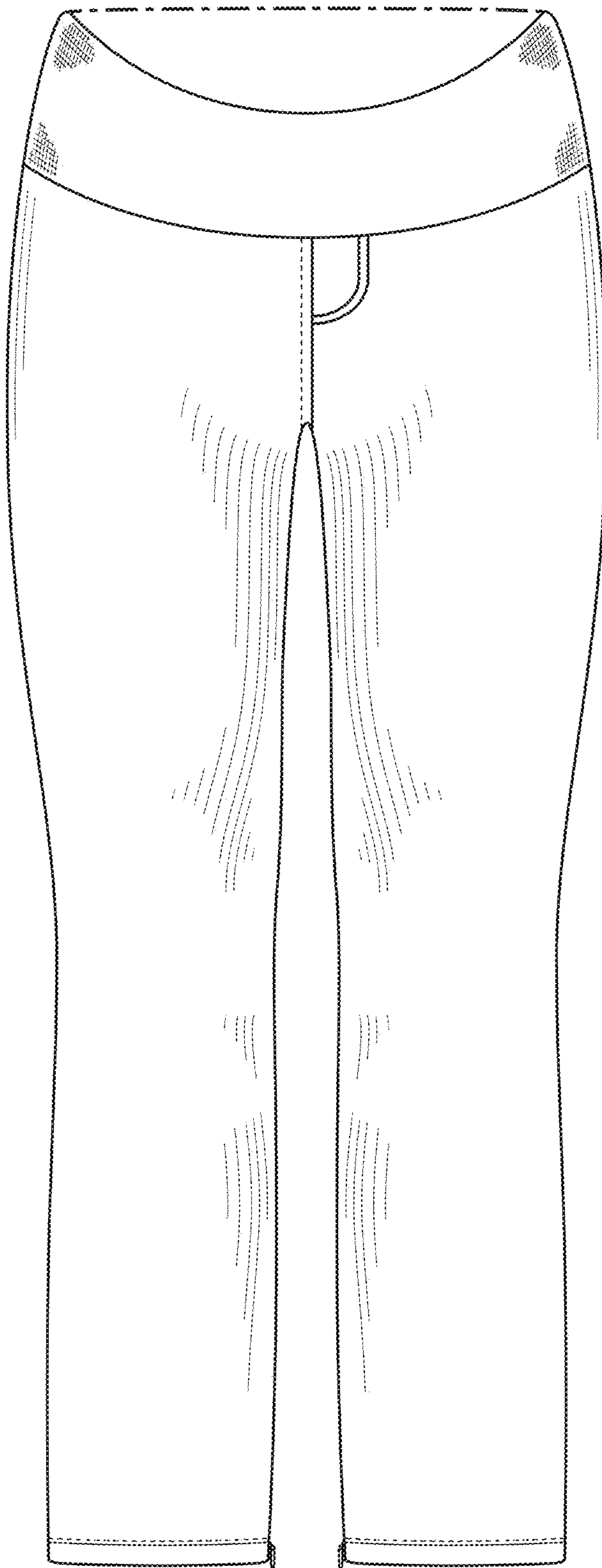


FIG. 16

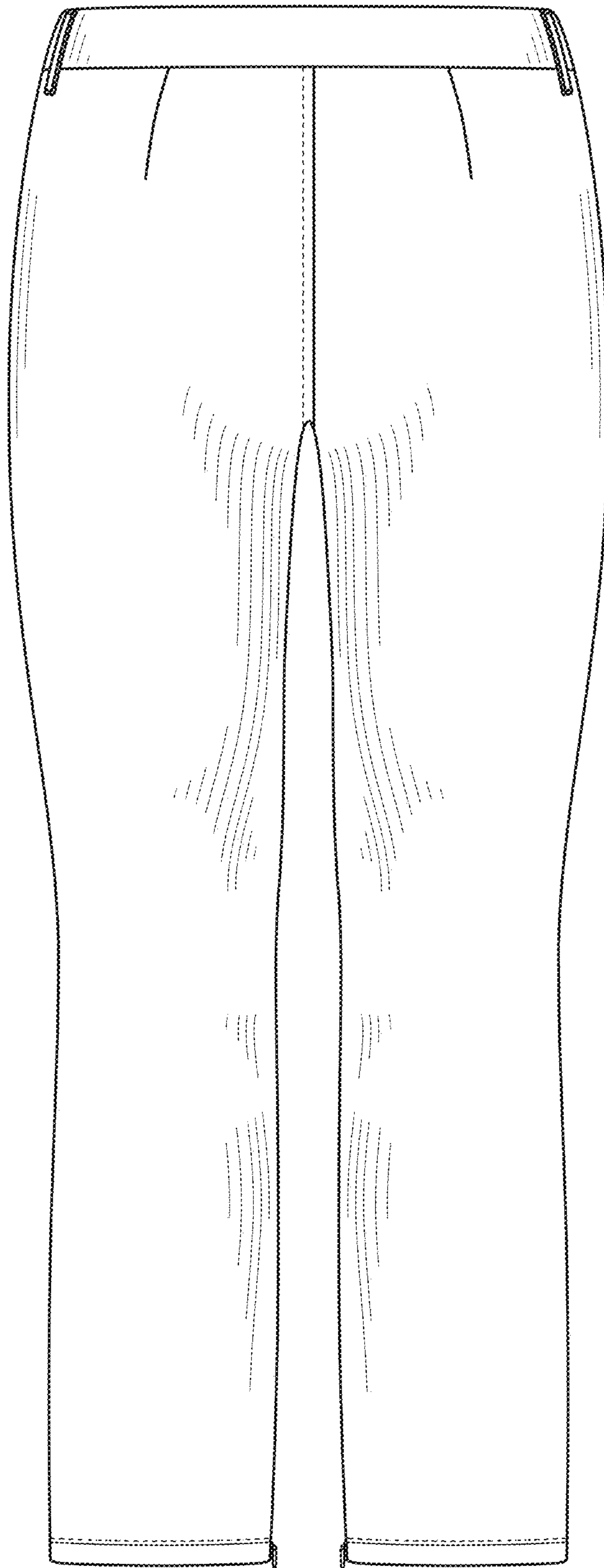


FIG. 17

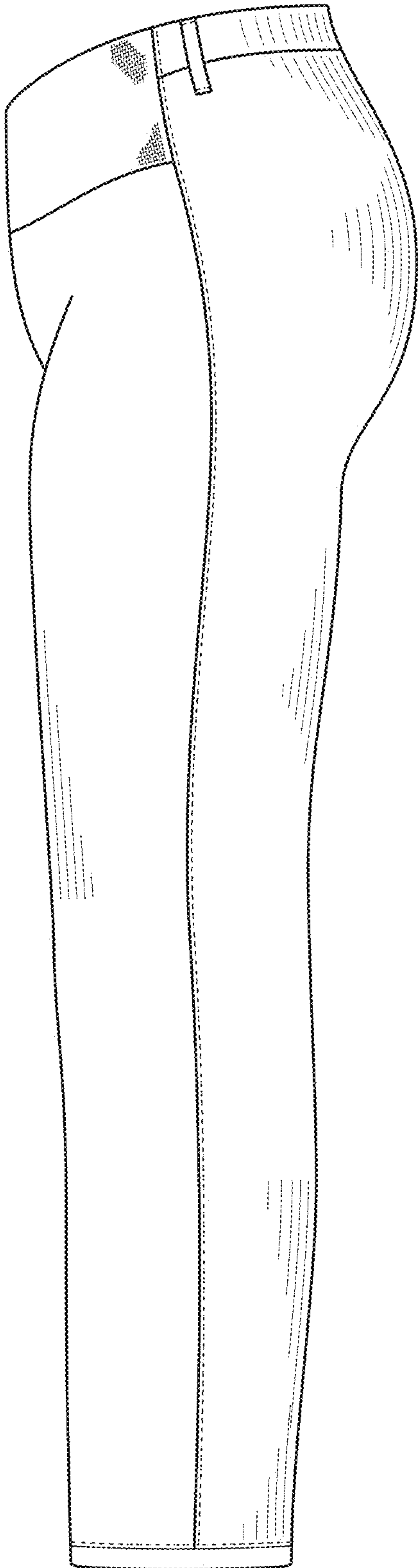


FIG. 18

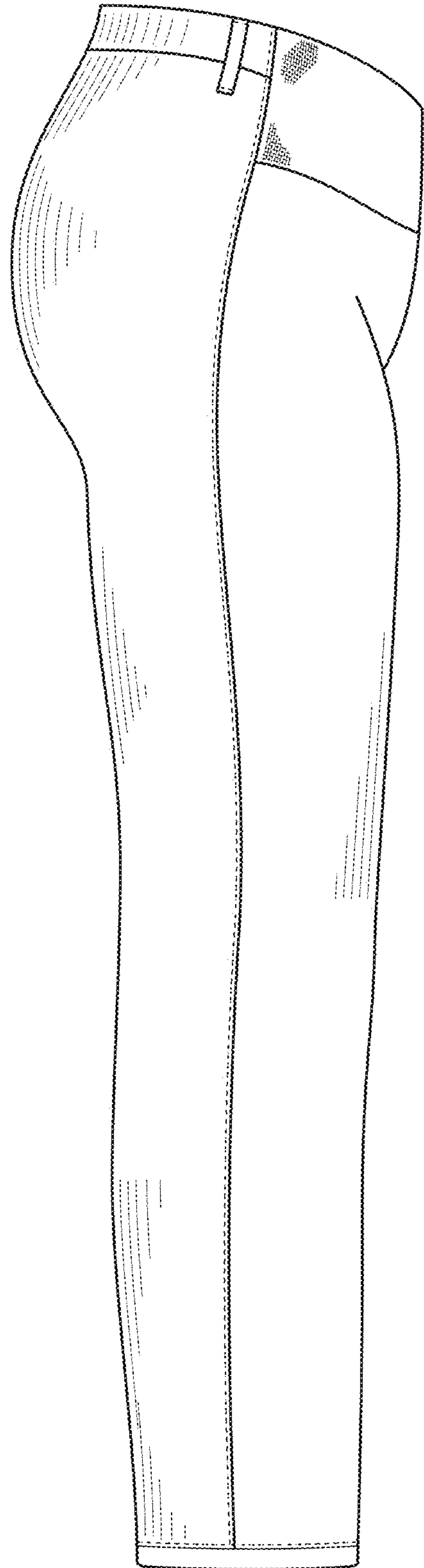
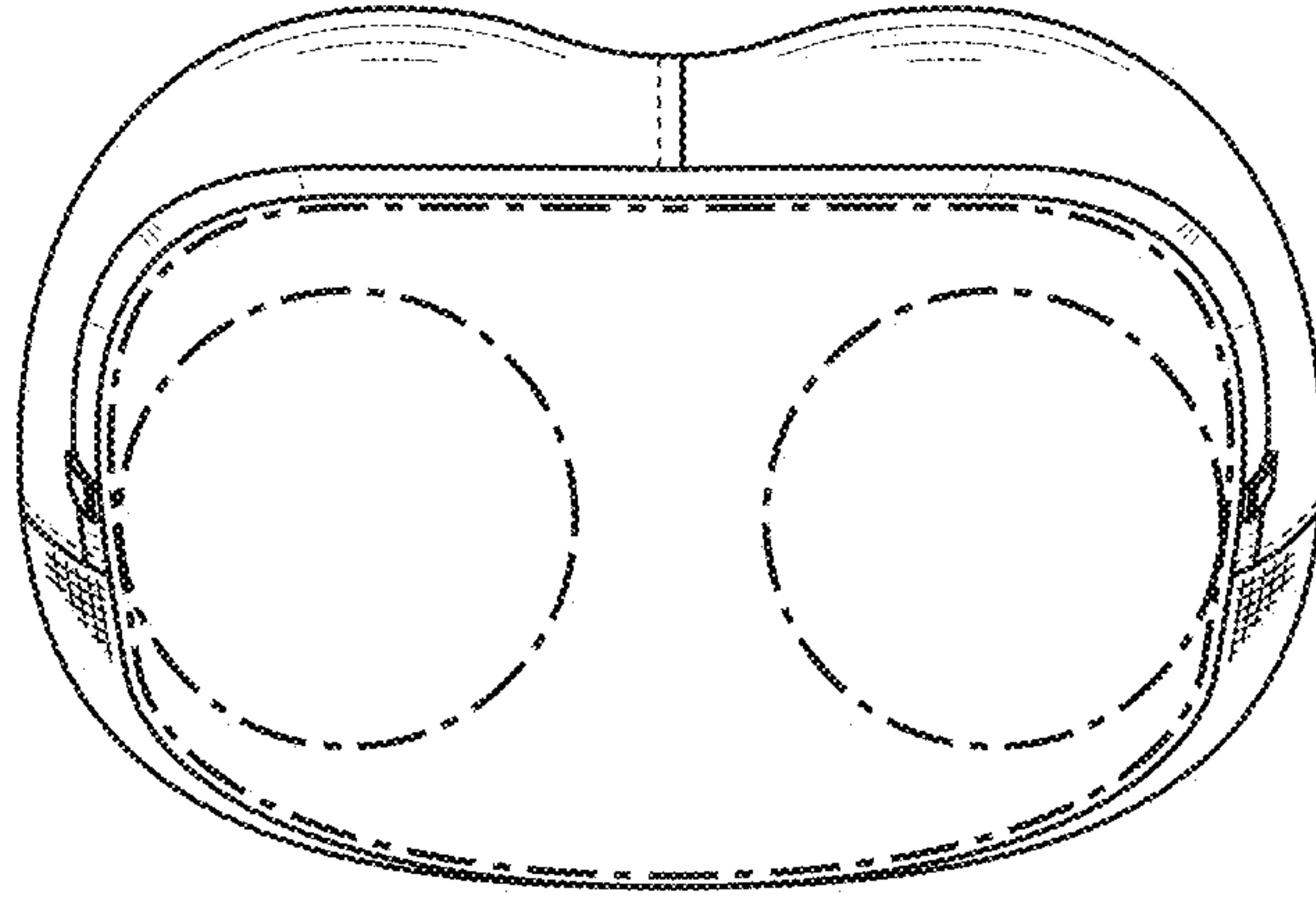
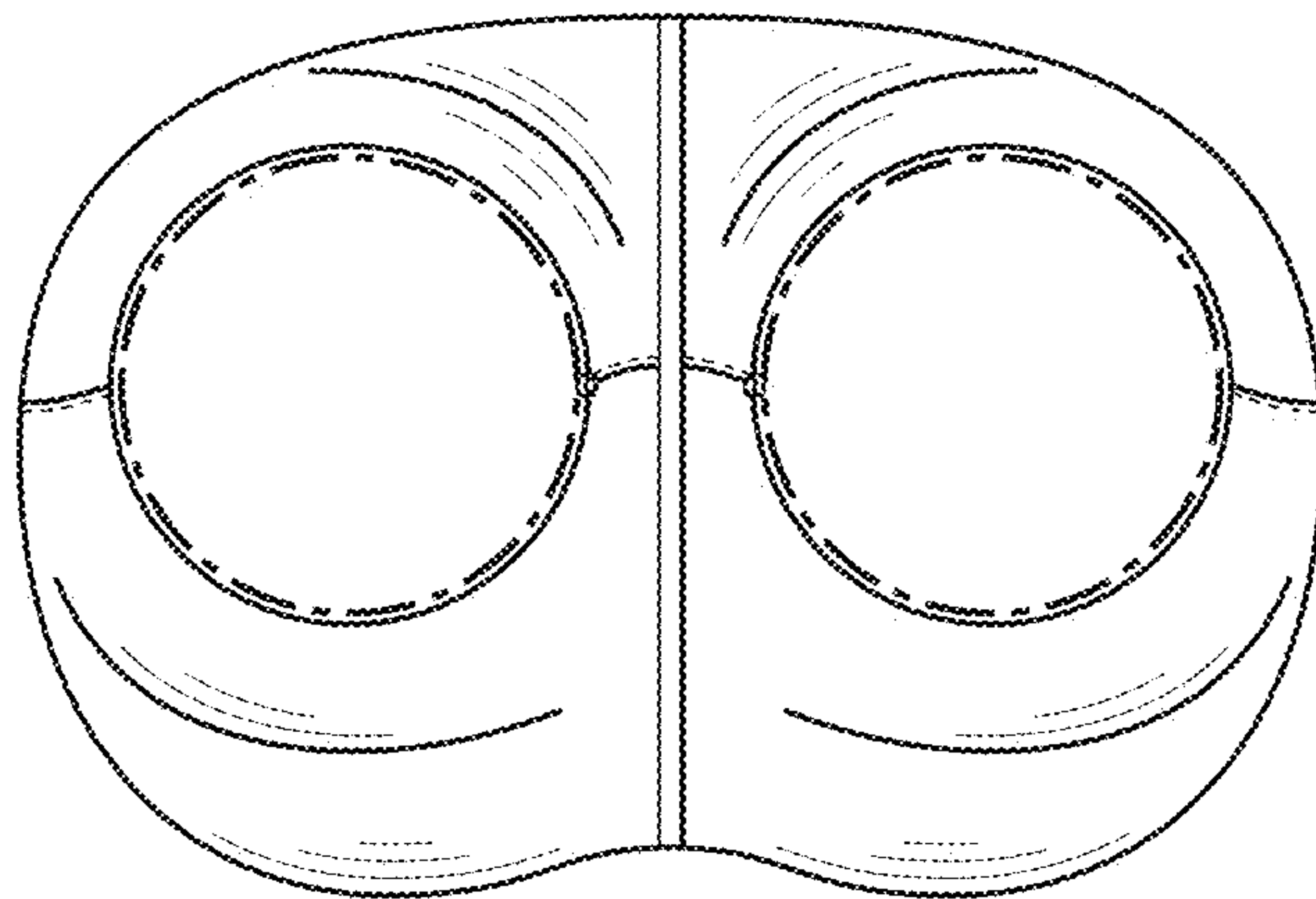


FIG. 19





**FIG. 20**



**FIG. 21**

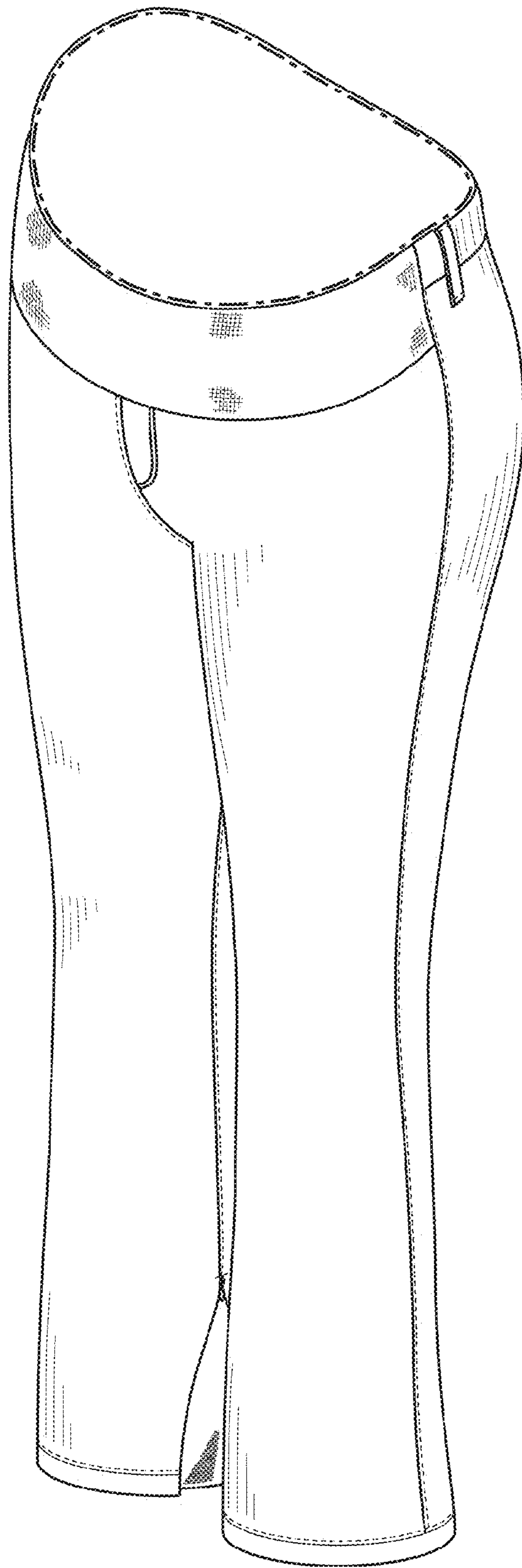


FIG. 22

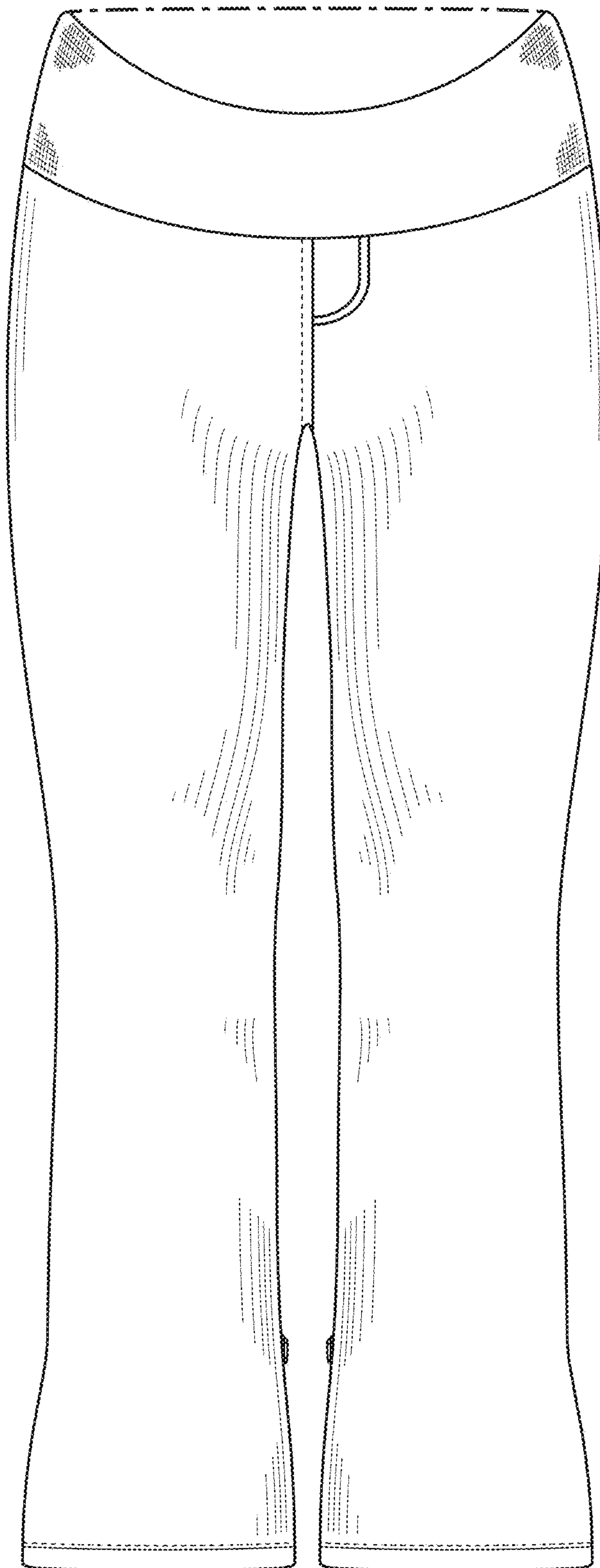


FIG. 23

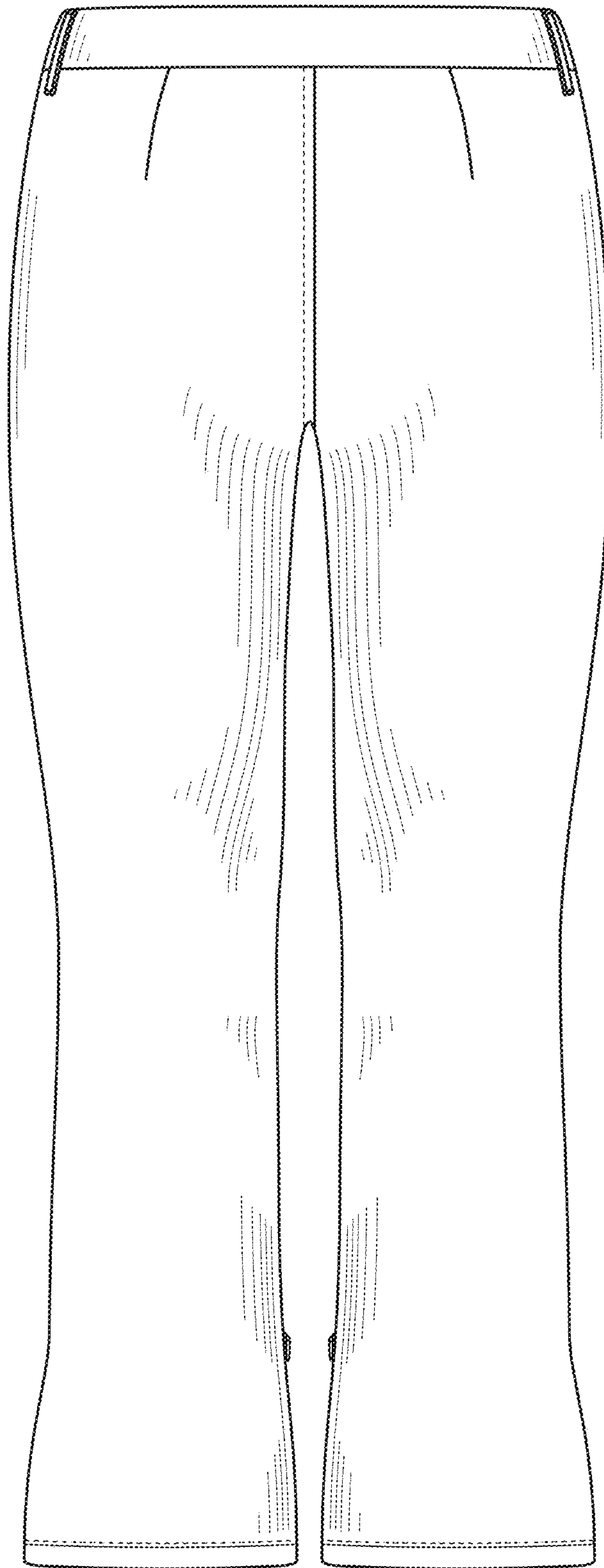


FIG. 24



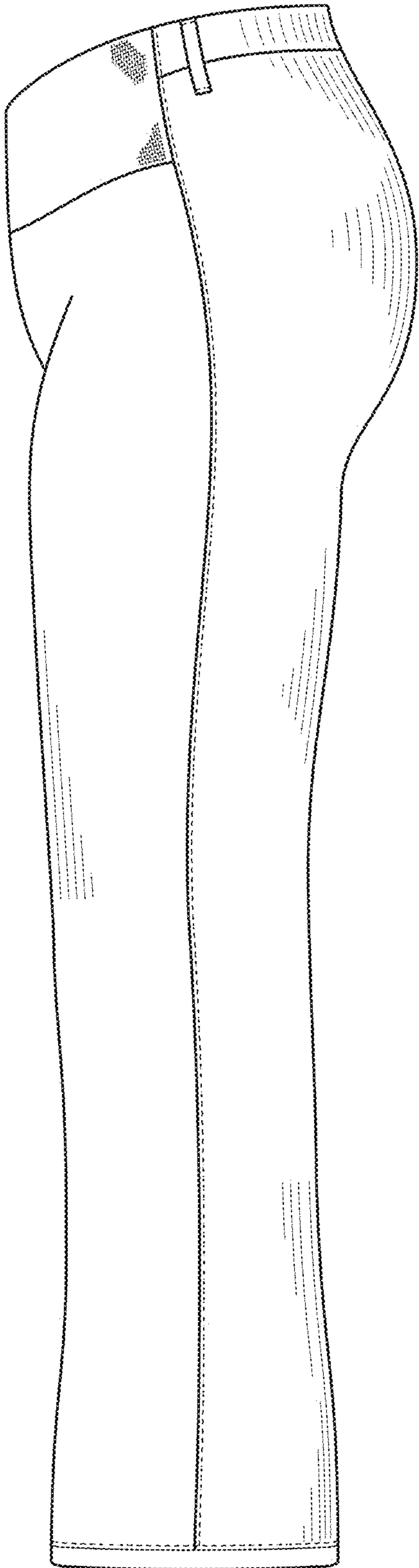


FIG. 25

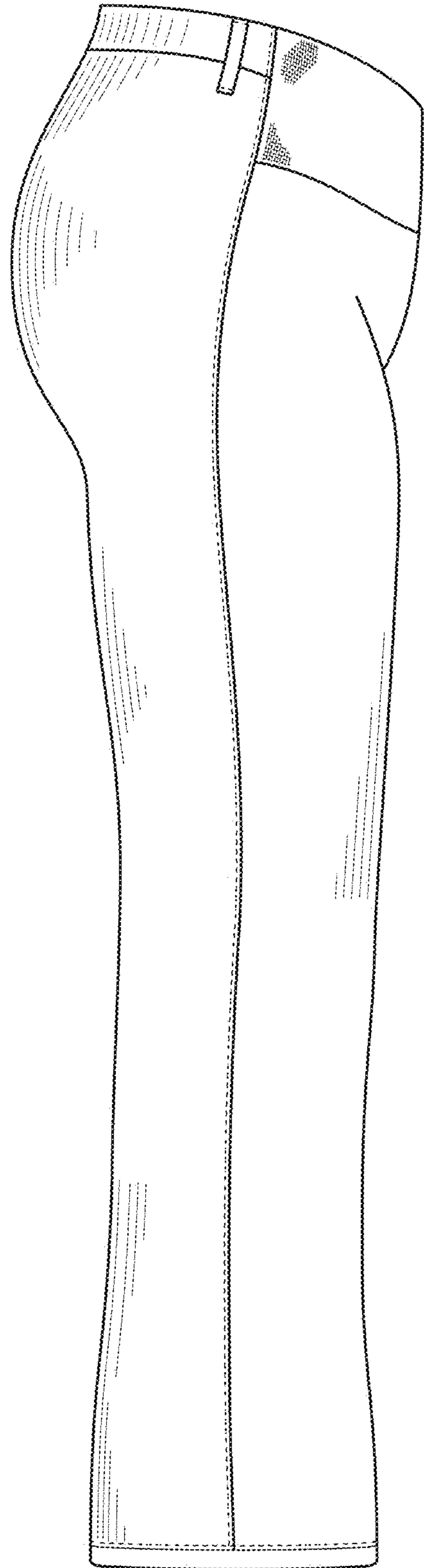
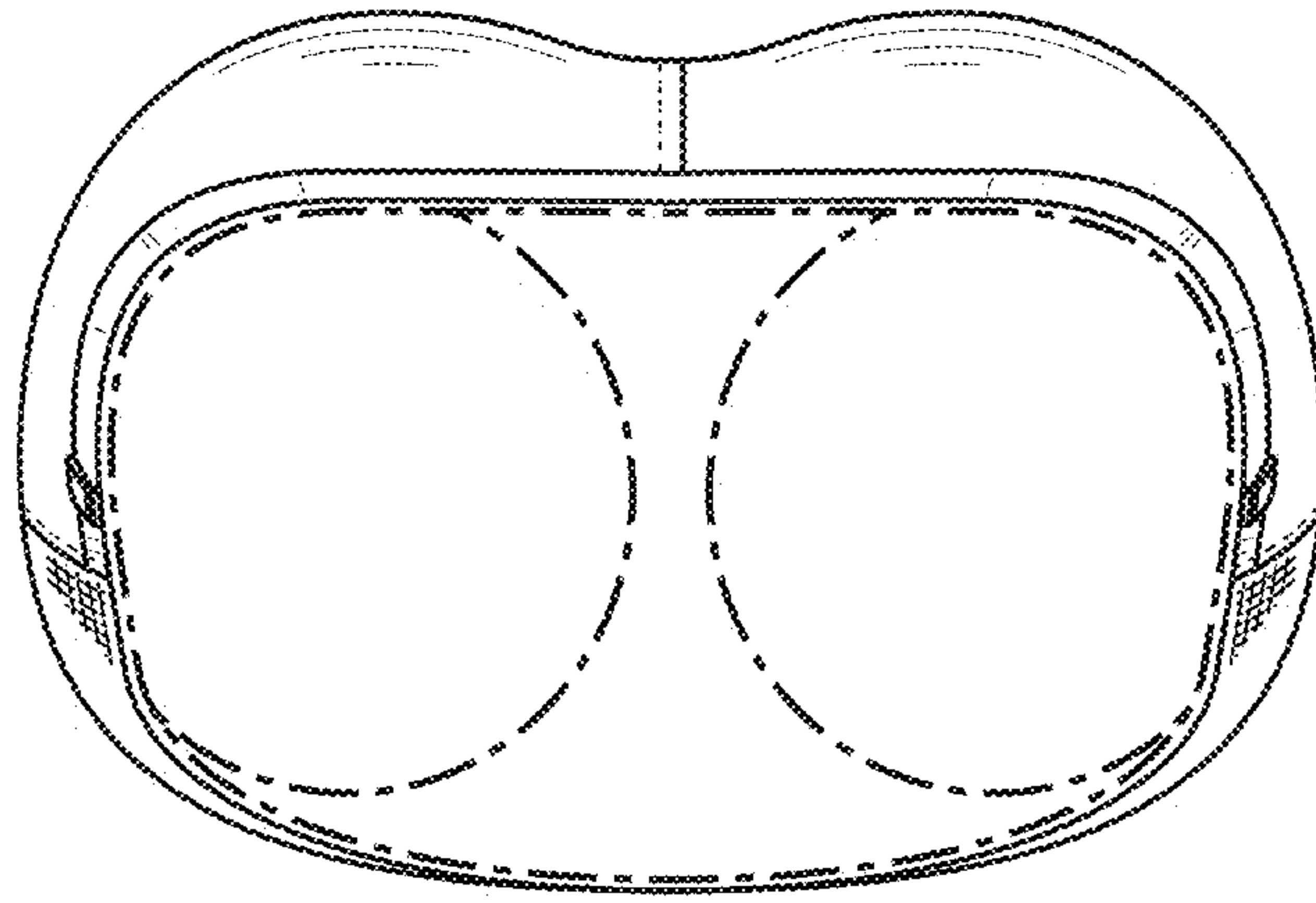
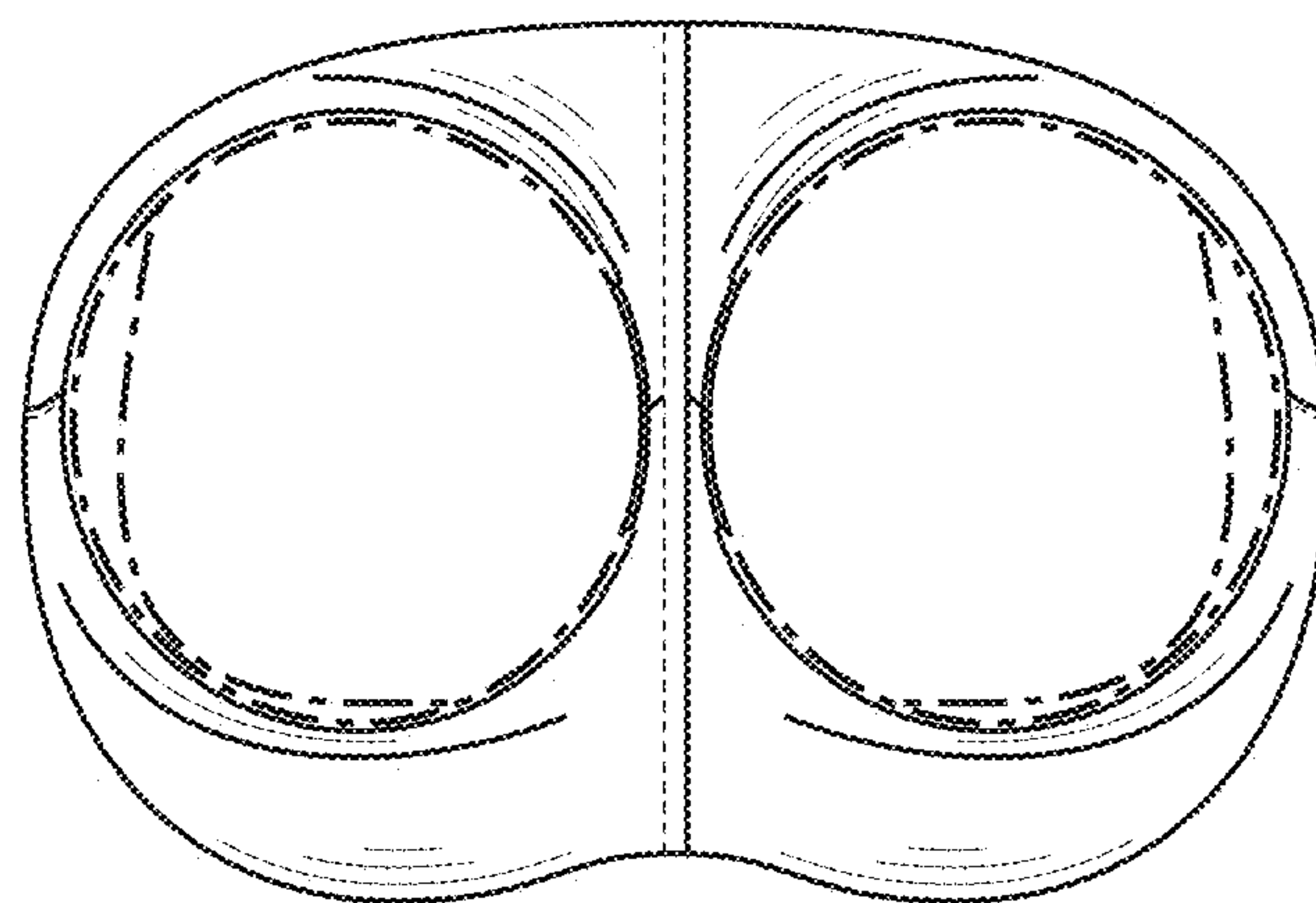


FIG. 26



**FIG. 27**



**FIG. 28**