



US00D958490S

(12) **United States Design Patent**  
**Pal et al.**

(10) **Patent No.:** **US D958,490 S**  
(45) **Date of Patent:** **\*\* Jul. 26, 2022**

(54) **UNDERWEAR**

FOREIGN PATENT DOCUMENTS

(71) Applicant: **PATENTMANIAC CONSULTING,**  
New Delhi (IN)

CN 3009579 \* 5/1991  
CN 305891031 \* 7/2020

(Continued)

(72) Inventors: **Nitin Pal,** New Delhi (IN); **Jatinder Kumar,** New Delhi (IN)

OTHER PUBLICATIONS

(\*\*) Term: **15 Years**

Undercare Men's, available at amazon.com, earliest date available Aug. 17, 2019 [online], site visited Nov. 1, 2021, Available from the internet URL: <https://www.amazon.com/Undercare-3-Pack-Classic-Adaptive-Brief/dp/B07TB9LD26?th=1> (Year: 2019).\*

(Continued)

(21) Appl. No.: **29/716,087**

*Primary Examiner* — S. Bryan Reinholdt, Jr.

(22) Filed: **Dec. 6, 2019**

*Assistant Examiner* — Jillian Mazzola

(51) **LOC (13) Cl.** ..... **02-01**

(74) *Attorney, Agent, or Firm* — William Simmons;  
Simmons Patents

(52) **U.S. Cl.**

(57) **CLAIM**

USPC ..... **D2/712**

The ornamental design for underwear, as shown and described.

(58) **Field of Classification Search**

**DESCRIPTION**

USPC ..... D2/712-716, 728-738, 742-748;  
D24/124, 126

See application file for complete search history.

FIG. 1 is a front perspective view of underwear showing the new design, shown in an open configuration;  
FIG. 2 is a front view of an open configuration thereof;  
FIG. 3 is a back view of an open configuration thereof;  
FIG. 4 is a left view of an open configuration thereof;  
FIG. 5 is a right view of an open configuration thereof;  
FIG. 6 is a top view of an open configuration thereof;  
FIG. 7 is a bottom view of an open configuration thereof;  
FIG. 8 is a front perspective view of the Underwear shown in a closed configuration;  
FIG. 9 is a front view of a closed configuration thereof;  
FIG. 10 is a back view of a closed configuration thereof;  
FIG. 11 is a left view of a closed configuration thereof;  
FIG. 12 is a right view of a closed configuration thereof;  
FIG. 13 is a top view of a closed configuration thereof; and,  
FIG. 14 is a bottom view of a closed configuration thereof.

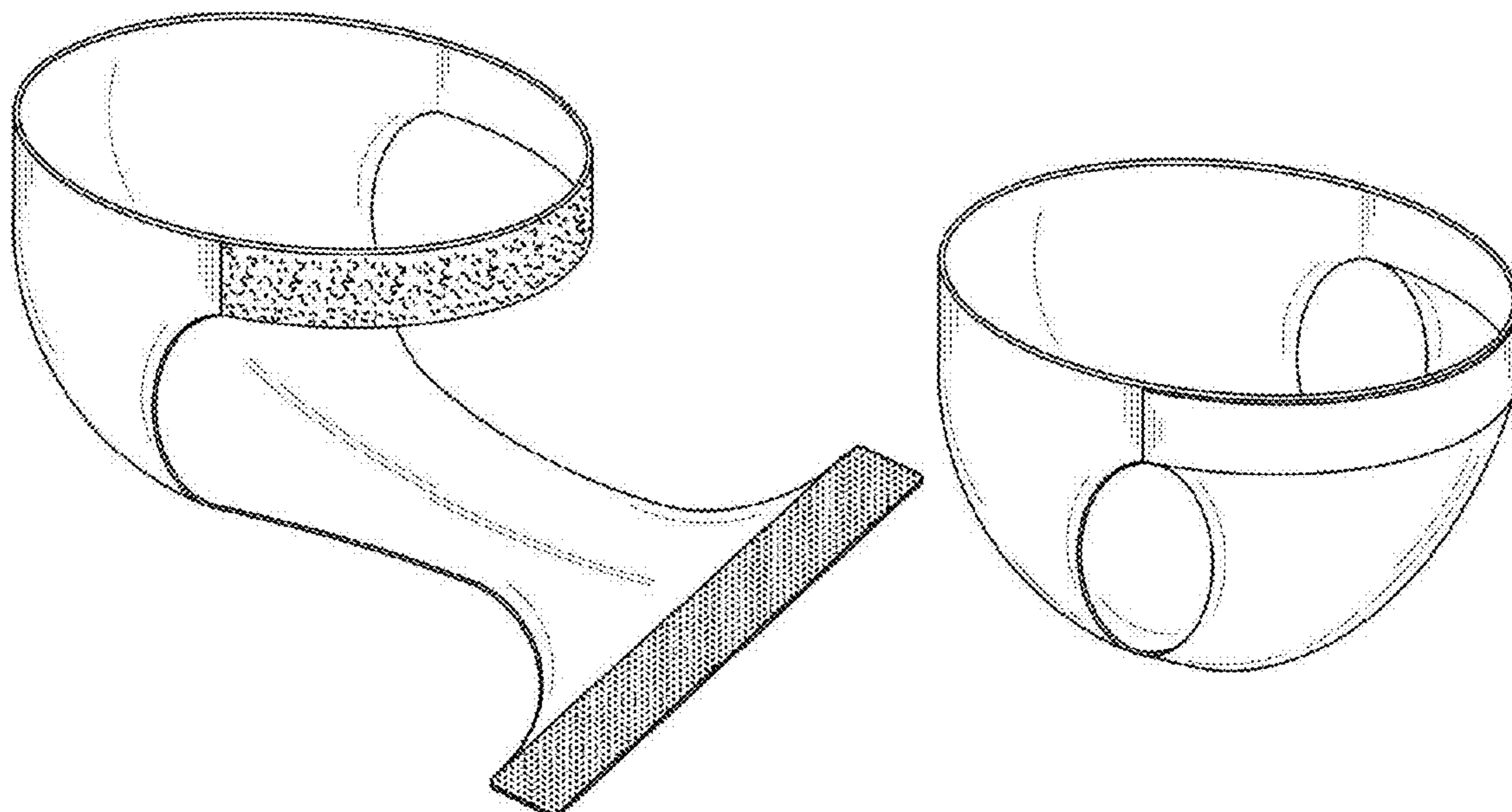
(56) **References Cited**

U.S. PATENT DOCUMENTS

D59,844 S \* 11/1921 Hough ..... D2/733  
1,653,483 A \* 12/1927 Stephens ..... A41B 9/08  
2/78.2  
1,830,528 A \* 11/1931 Cohon ..... A41C 1/003  
450/103  
2,058,509 A \* 10/1936 Rose ..... A41B 13/04  
604/392  
2,099,541 A \* 11/1937 Spain ..... A41B 9/02  
450/102  
2,290,110 A \* 7/1942 McGraw ..... A61F 13/565  
604/375

(Continued)

**1 Claim, 8 Drawing Sheets**



(56)

References Cited

U.S. PATENT DOCUMENTS

2,353,342 A \* 7/1944 Lesavoy ..... A41B 9/06  
602/67  
2,363,959 A \* 11/1944 Hanes ..... A41B 9/08  
2/78.2  
2,478,263 A \* 8/1949 Geltz ..... A41C 1/003  
450/102  
D160,328 S \* 10/1950 Marks ..... D2/712  
2,548,660 A \* 4/1951 Feldman ..... A41B 13/04  
2/408  
2,549,982 A \* 4/1951 McKhann ..... A41B 13/04  
604/380  
2,570,428 A \* 10/1951 Clifford ..... A41D 11/00  
2/70  
2,602,928 A \* 7/1952 Chatfield ..... A41B 9/02  
450/95  
2,638,900 A \* 5/1953 Gruenberg ..... A41B 13/04  
2/408  
2,705,957 A \* 4/1955 Mauro ..... A61F 13/70  
604/395  
2,830,589 A \* 4/1958 Doner ..... A61F 13/5622  
604/392  
3,029,814 A \* 4/1962 Kravitz ..... A61F 5/03  
602/67  
3,312,981 A \* 4/1967 McGuire ..... D04B 1/18  
2/406  
D264,631 S \* 5/1982 Forsberg ..... D2/712  
4,597,110 A \* 7/1986 Smith, Sr. .... A41B 9/007  
2/406  
4,637,078 A \* 1/1987 Southwell ..... A41B 9/007  
2/408  
4,675,918 A \* 6/1987 O'Brien ..... A41B 9/007  
2/402  
4,835,795 A \* 6/1989 Lonon ..... A41B 9/007  
2/408  
D352,352 S \* 11/1994 Silver ..... D24/126  
D352,353 S \* 11/1994 Silver ..... D24/126  
5,640,715 A \* 6/1997 Adams ..... A41B 13/10  
2/105  
6,061,839 A \* 5/2000 Smolik ..... A61F 13/471  
2/400  
D455,000 S \* 4/2002 Williams ..... D2/700  
6,412,119 B1 \* 7/2002 Robles ..... A41B 9/007  
2/400  
D464,789 S \* 10/2002 Varon ..... D2/733  
D483,868 S \* 12/2003 Otsubo ..... D24/126  
D544,678 S \* 6/2007 Fitzgerald ..... D2/735  
D595,030 S \* 6/2009 Spellman ..... D2/745  
D598,176 S \* 8/2009 Tawil ..... D2/713  
D601,326 S \* 10/2009 DiFrancesco ..... D2/731  
D603,582 S \* 11/2009 Fennell ..... D2/712  
D632,055 S \* 2/2011 Wynn  
D639,019 S \* 6/2011 Perryman ..... D2/731  
D648,098 S \* 11/2011 Mitchell  
D677,447 S \* 3/2013 Shoemaker  
D679,068 S \* 4/2013 Denning  
8,821,467 B1 \* 9/2014 Minella ..... A61F 13/64  
604/385.15  
D782,158 S \* 3/2017 Shoemaker  
D793,659 S \* 8/2017 Wexler ..... D2/712  
D801,000 S \* 10/2017 Barnabe ..... D2/742  
D801,633 S \* 11/2017 Slater ..... D2/731  
D809,249 S \* 2/2018 Hanosek ..... D2/743  
D815,392 S \* 4/2018 Levy ..... D2/712  
D827,980 S \* 9/2018 Slater ..... D2/731  
D827,981 S \* 9/2018 Slater ..... D2/731  
D829,893 S \* 10/2018 Kio ..... D24/126  
D861,861 S \* 10/2019 Kreuzer ..... D24/126  
D882,777 S \* 4/2020 Delka ..... D24/126  
2001/0023344 A1 \* 9/2001 Oba ..... A61F 13/496  
604/395  
2004/0236304 A1 \* 11/2004 Coates ..... A61F 13/493  
604/393

2005/0193777 A1 \* 9/2005 Sangiacomo ..... A41B 9/02  
66/8  
2008/0114327 A1 \* 5/2008 Barge ..... A41B 9/12  
604/396  
2009/0131902 A1 \* 5/2009 Giloh ..... A61F 13/72  
604/385.22  
2010/0234822 A1 \* 9/2010 Back ..... A61F 13/565  
604/385.3  
2011/0016604 A1 \* 1/2011 Lim ..... A41B 9/007  
2/78.2  
2013/0283502 A1 \* 10/2013 Denning  
2013/0298305 A1 \* 11/2013 Lushaj ..... A41D 11/00  
2/80  
2014/0303589 A1 \* 10/2014 Paz ..... A61F 13/505  
604/395  
2015/0257948 A1 \* 9/2015 Steele ..... A61F 13/76  
604/378  
2016/0143373 A1 \* 5/2016 Castellano ..... A41D 11/00  
2/67  
2017/0303601 A1 \* 10/2017 Lopina DeMaria ... A41B 13/08  
2017/0367413 A1 \* 12/2017 Vera ..... A41B 9/007  
2018/0084842 A1 \* 3/2018 Pham Johnson ..... A41D 1/21  
2018/0110264 A1 \* 4/2018 Olshansky ..... A41C 1/003  
2018/0353350 A1 \* 12/2018 Lee ..... A61F 13/4902  
2020/0060355 A1 \* 2/2020 Nguyen ..... A41B 13/08

FOREIGN PATENT DOCUMENTS

EM 002303636-0005 \* 10/2013  
EM 008621759-0001 \* 7/2021  
GB 6120170 \* 2/2021  
JP D1591920 \* 11/2017

OTHER PUBLICATIONS

Undercare Women's, available at amazon.com, earliest date available Aug. 17, 2019 [online], site visited Nov. 1, 2021, Available from the internet URL: <https://www.amazon.com/Undercare-3-Pack-Mid-Rise-Adaptive-Brief/dp/B07TC8ZBDV/> (Year: 2019).\*

Supportive Underwear Study, available at link.springer.com, posted Jul. 17, 2008 [online], site visited Nov. 1, 2021, Available from the internet URL: <https://link.springer.com/article/10.1007/s00192-008-0676-x> (Year: 2008).\*

Brief Panty, available at slickchicksonline.com, earliest customer review date Oct. 2, 2015 [online], site visited Nov. 1, 2021, Available from the internet URL: <https://slickchicksonline.com/collections/all/products/brief?variant=39829740028094> (Year: 2015).\*

Classical Underwear, available at amazon.com, earliest customer review date Nov. 7, 2020 [online], site visited Nov. 1, 2021, Available from the internet URL: <https://www.amazon.com/Classical-Underwear-Briefs-Underpants-front/dp/B07QW2T69F7th=1> (Year: 2020).\*

Lady Hike Petal Panties, available at garagegrowngear.com, posted Sep. 15, 2016 [online], site visited Nov. 1, 2021, Available from the internet URL: <https://www.garagegrowngear.com/blogs/magazine/lady-hike-petal-panties-underwear-for-women-to-pee-standing-up> (Year: 2016).\*

Adaptive Boyleg, available at us.modibodi.com, earliest customer review date Sep. 2021 [online], site visited Nov. 1, 2021, Available from the internet URL: <https://us.modibodi.com/products/adaptive-boyleg-heavy-overnight/> (Year: 2021).\*

Tommy Hilfiger Adaptive Panties, available at amazon.com, earliest date available Oct. 7, 2019 [online], site visited Nov. 1, 2021, Available from the internet URL: <https://www.amazon.com/Tommy-Hilfiger-Adaptive-Underwear-Panties/dp/B07YT3MWF> (Year: 2019).\*

Switch Adaptive Kit, available at pattiandricky.com, date not available [online], site visited Nov. 1, 2021, Available from the internet URL: <https://www.pattiandricky.com/product-page/the-switch-kit-by-switch-underwear-1>.\*

Womens Easy Adaptive Briefs, available at dcresus.com, date not available [online], site visited Nov. 1, 2021, Available from the

(56)

**References Cited**

OTHER PUBLICATIONS

internet URL: [https://www.dcreesus.com/index.php?main\\_page=product\\_info&products\\_id=233907](https://www.dcreesus.com/index.php?main_page=product_info&products_id=233907).\*

Exclen Mens Easy Adaptive Briefs, available at [garmoro.com](http://garmoro.com), date not available [online], site visited Nov. 1, 2021, Available from the internet URL: <https://garmoro.com/P18751-exclen-mens-easy-adaptive-underwear-briefs%2C-velcro-tab-closure%2C-pack-of-2%2C-size-of-xl/>.\*

Undercare Boxers, available at [amazon.com](http://amazon.com), earliest date available Aug. 17, 2019 [online], site visited Nov. 1, 2021, Available from the internet URL: <https://www.amazon.com/Undercare-Adaptive-Boxers/dp/B07XCGVY13> (Year: 2019).\*

Girls Briefs, available at [adaptiveclothingshowroom.com](http://adaptiveclothingshowroom.com), earliest customer review date Dec. 28, 2017 [online], site visited Nov. 1, 2021, Available from the internet URL: <https://adaptiveclothingshowroom.com/girls-pantie-briefs-with-side-snap-closures/> (Year: 2017).\*

Dog Underpants, available at [m.vova.com](http://m.vova.com), date not available [online], site visited Nov. 1, 2021, Available from the internet URL: <https://m.vova.com/Female-Pet-Dog-Physiological-Period-Anti-Harassment-Underpants-GSN1583379975203226902223022-g24795226-m26257263>.\*

\* cited by examiner

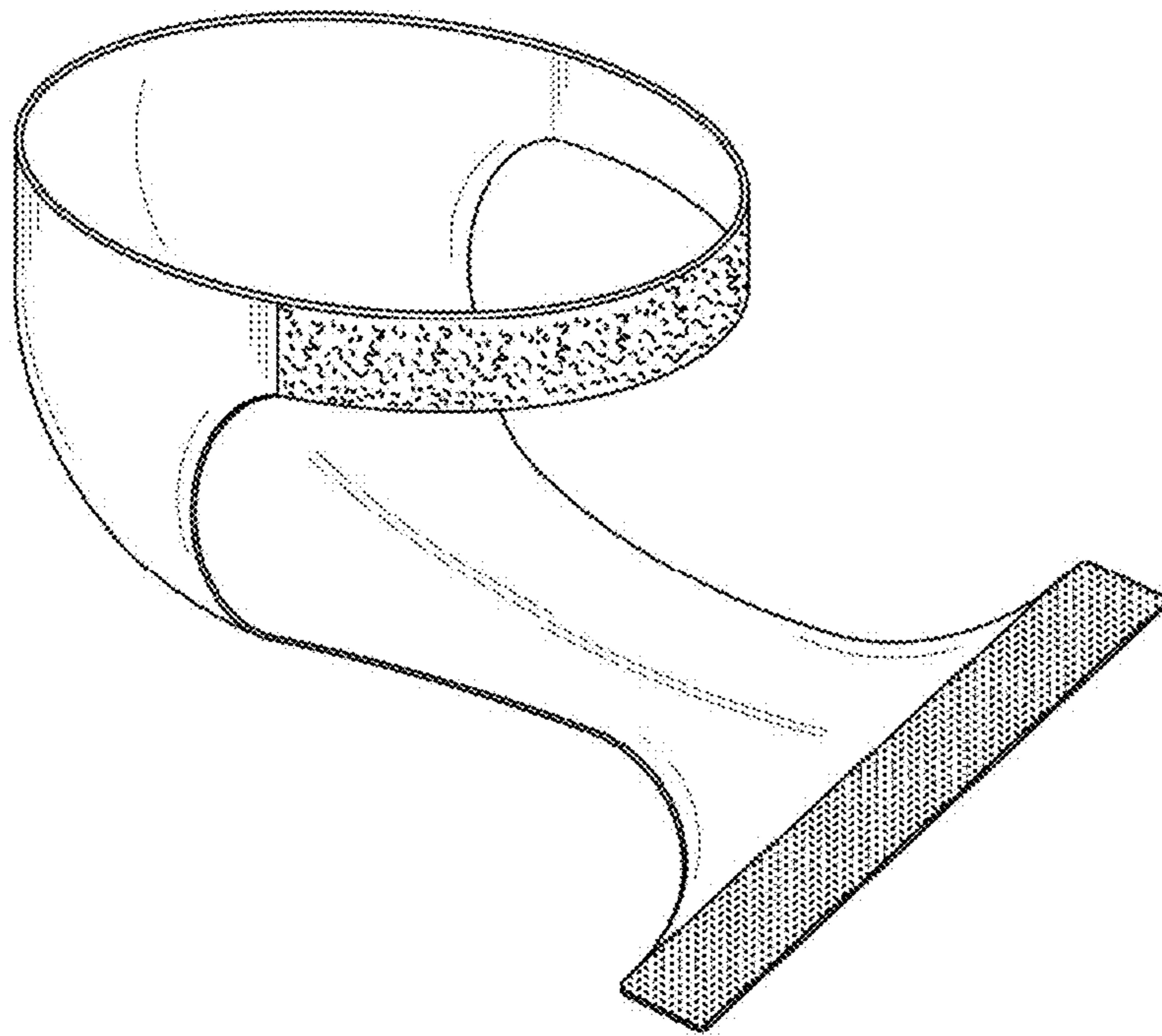


FIG. 1

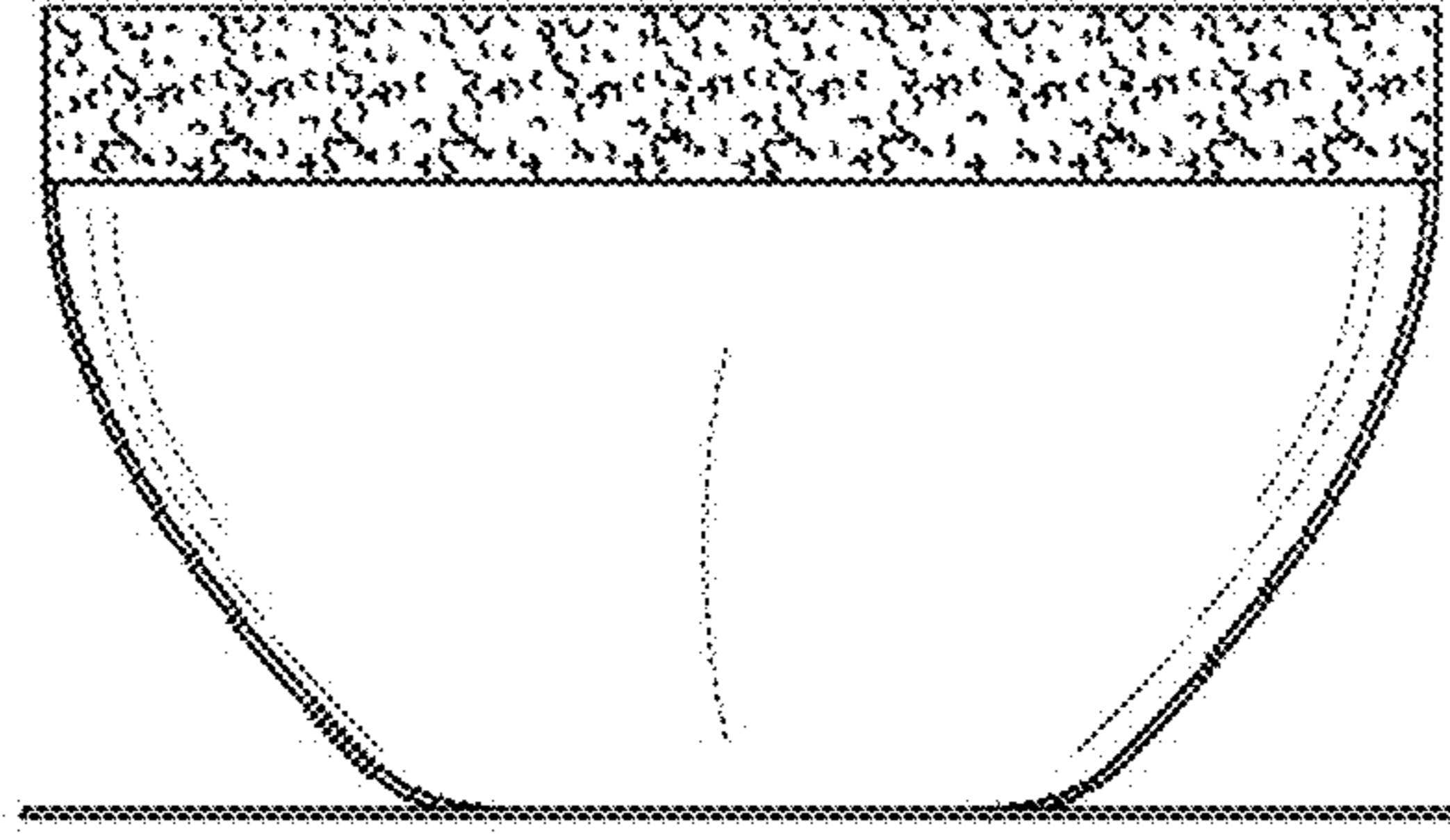


FIG. 2

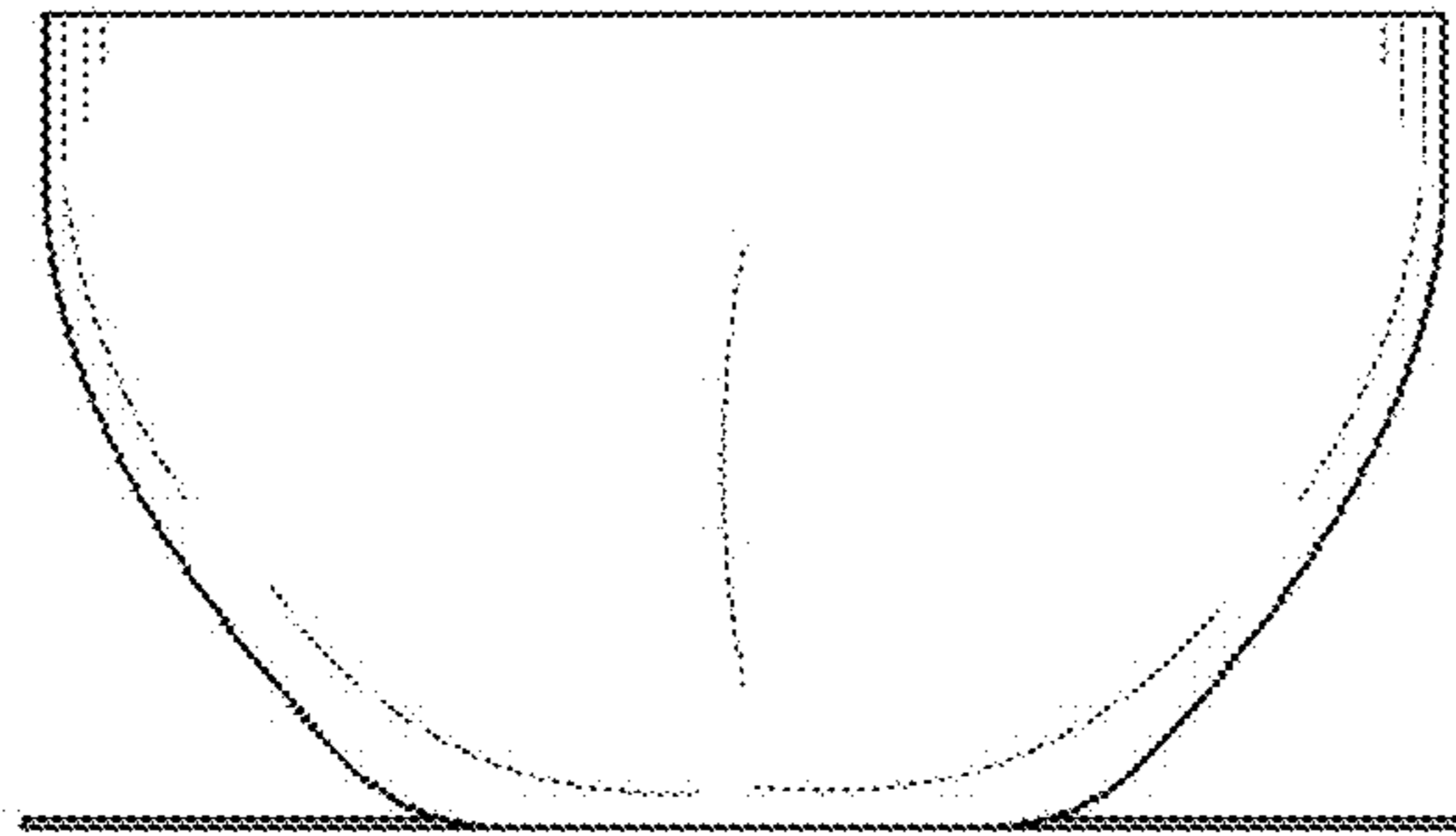


FIG. 3

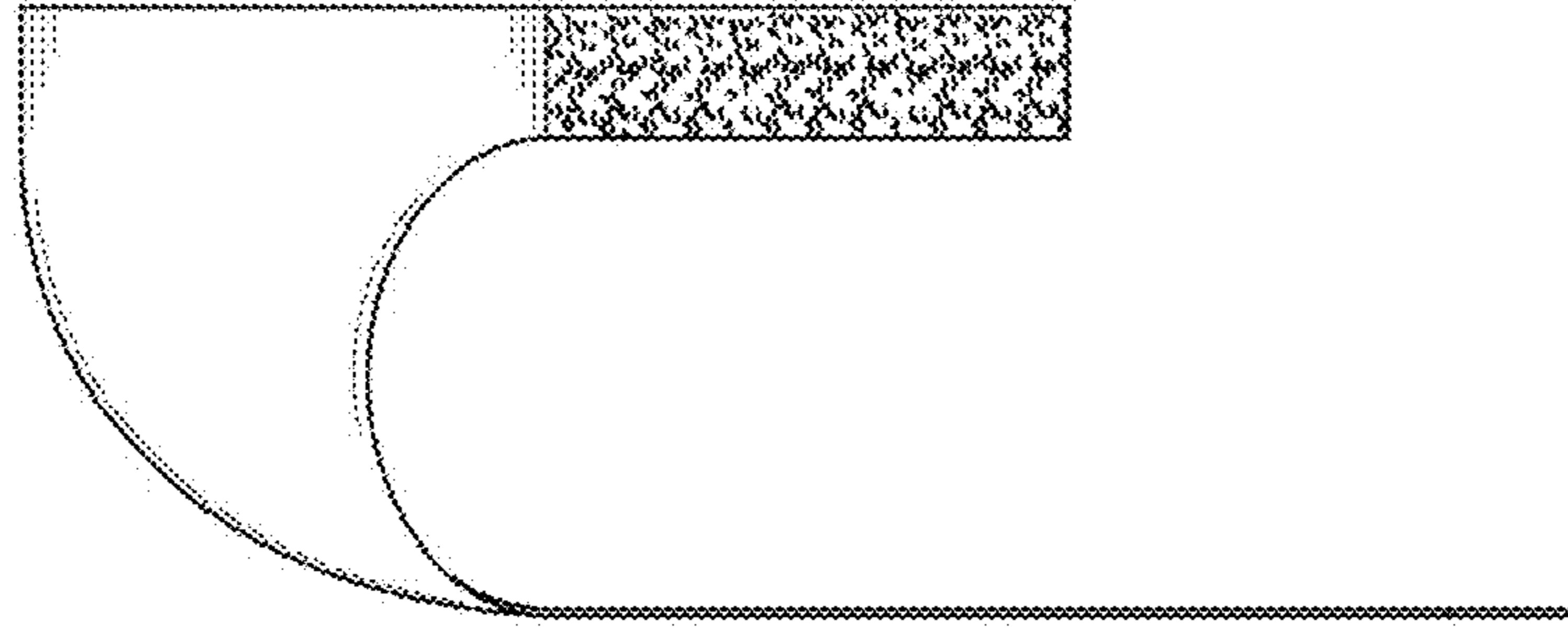


FIG. 4

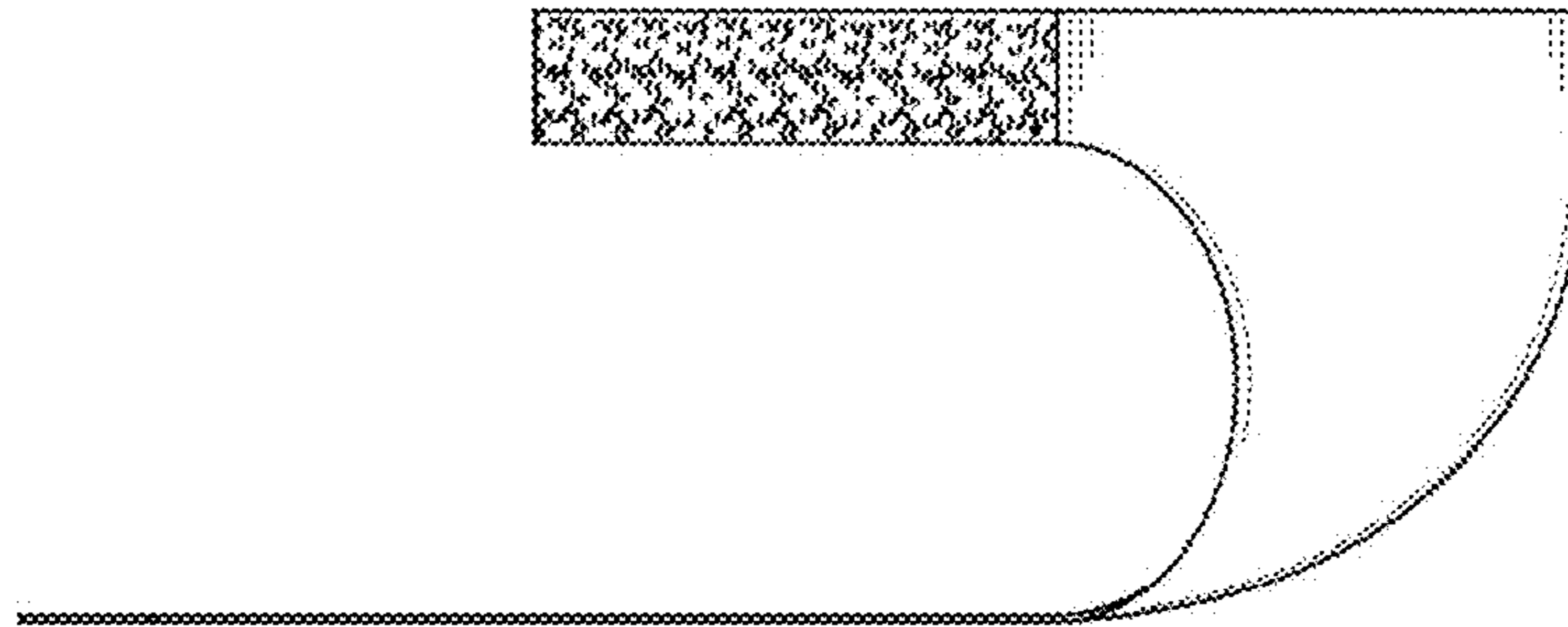


FIG. 5

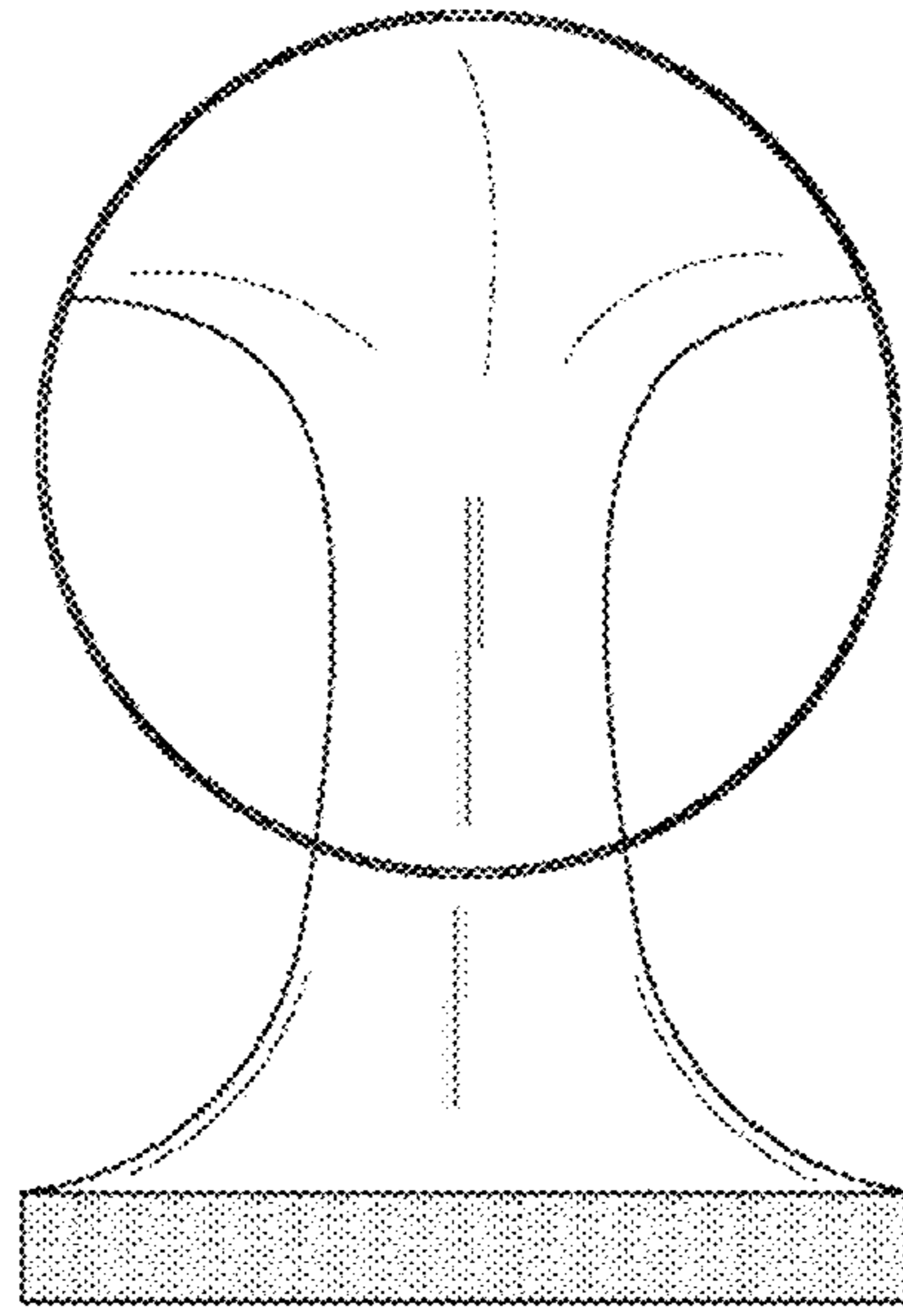


FIG. 6

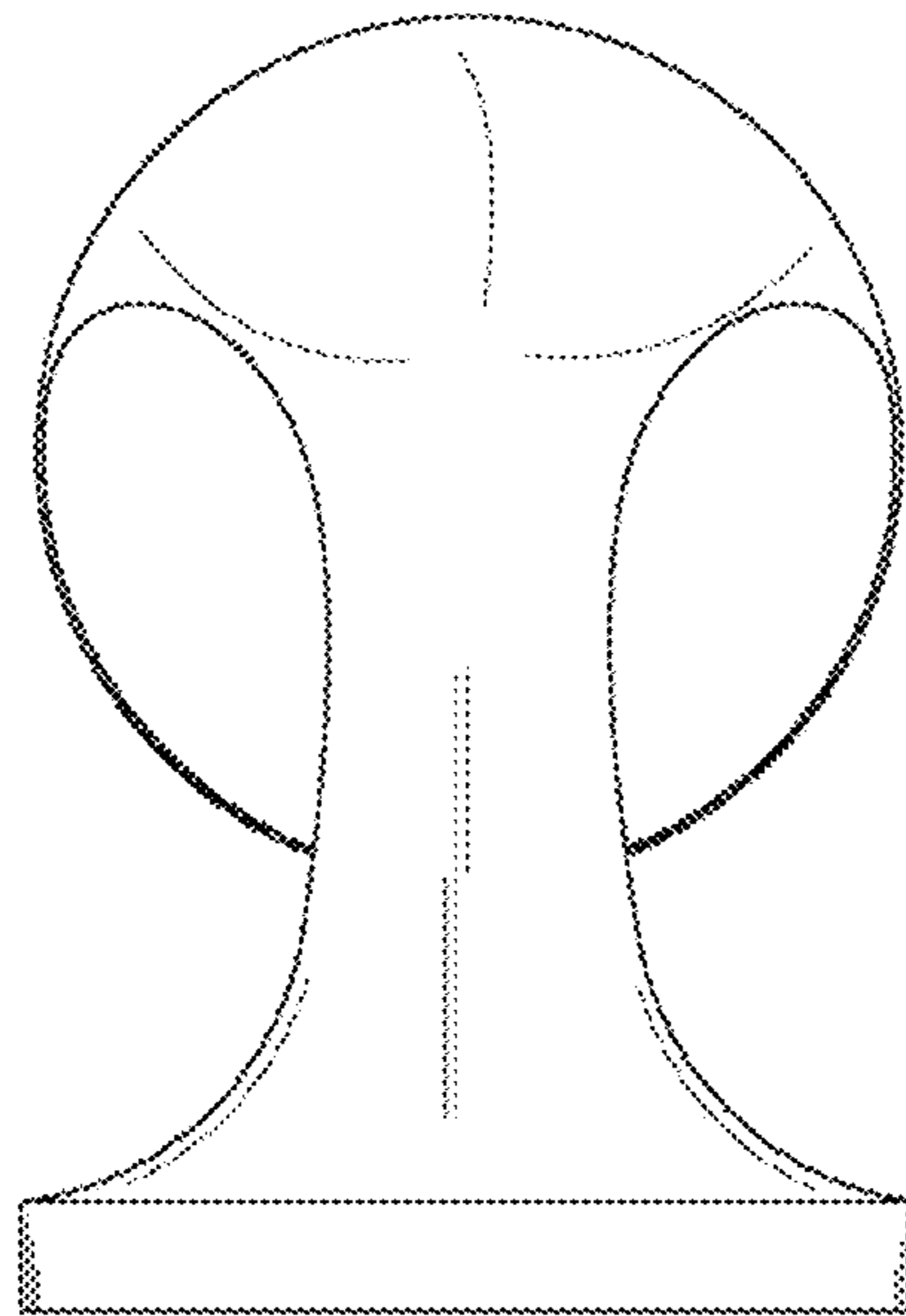


FIG. 7

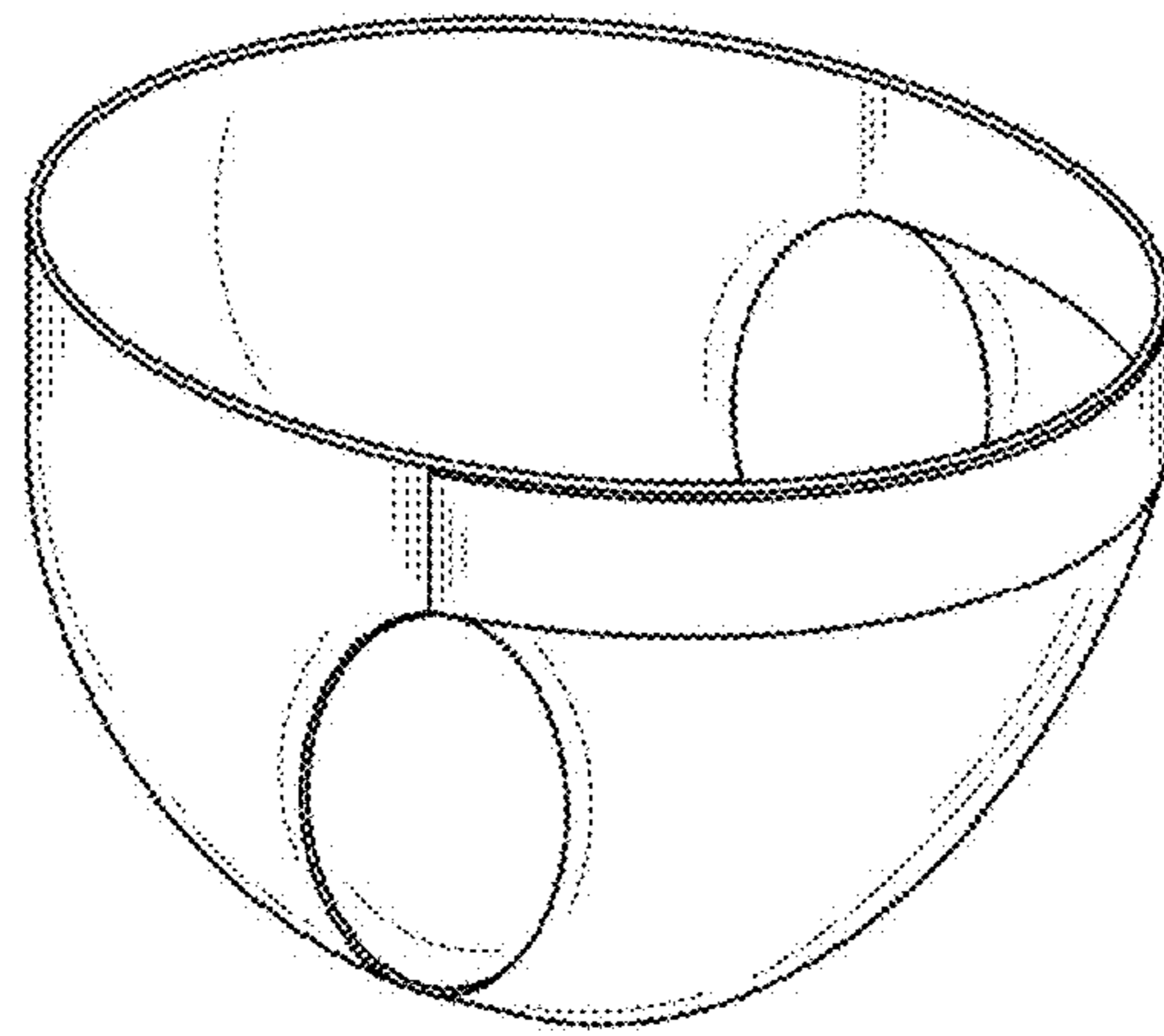


FIG. 8



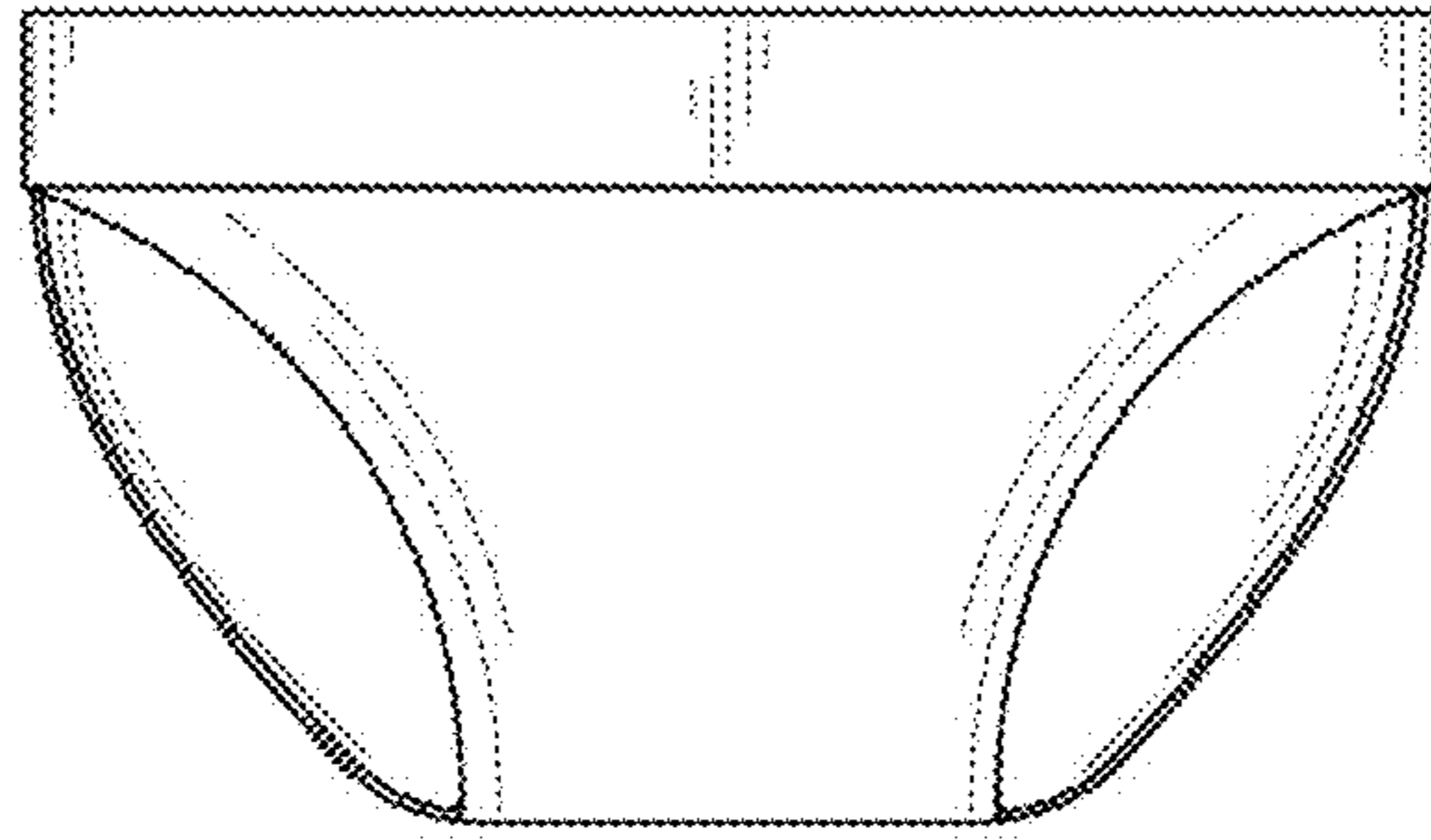


FIG. 9

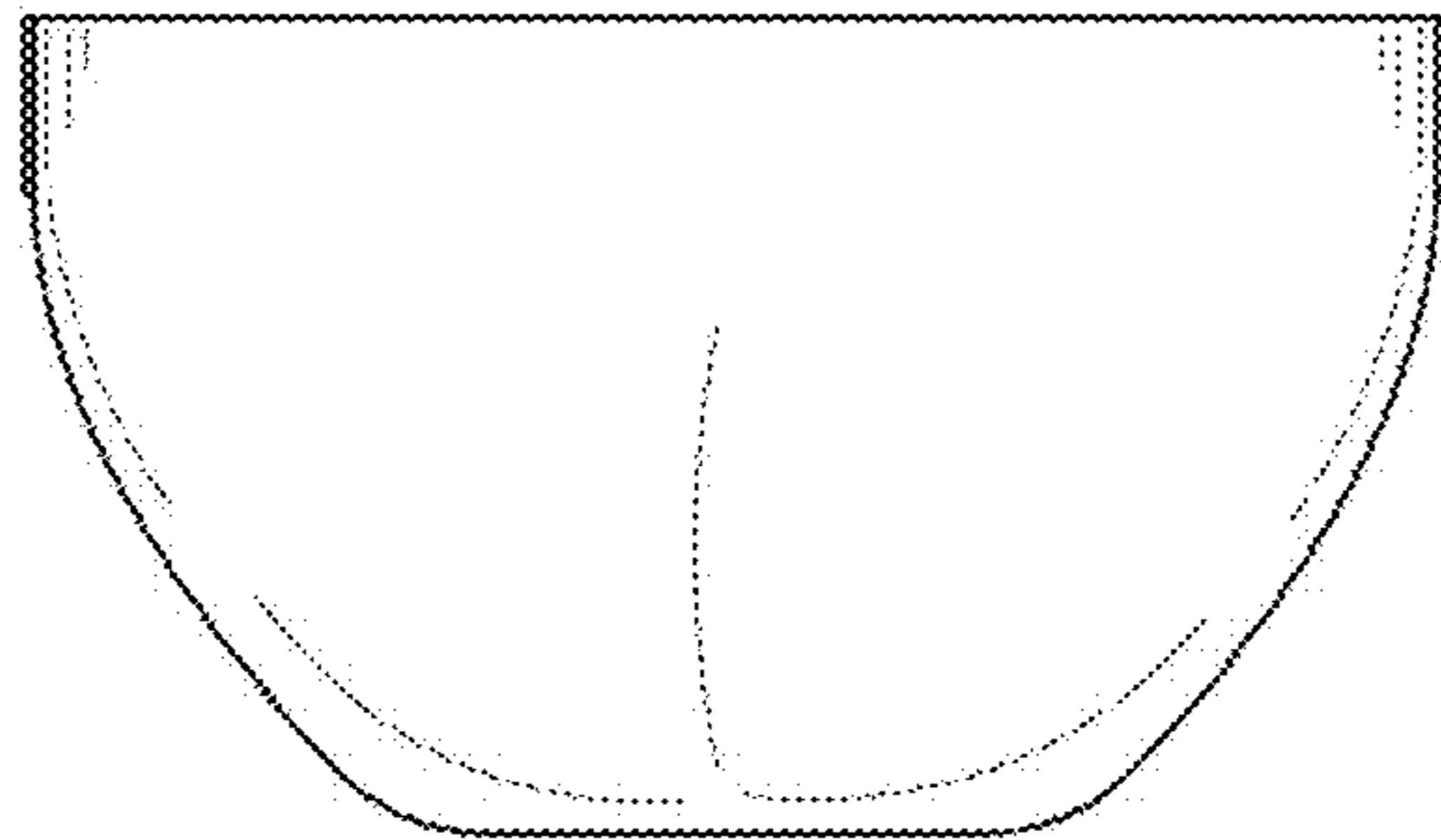


FIG. 10

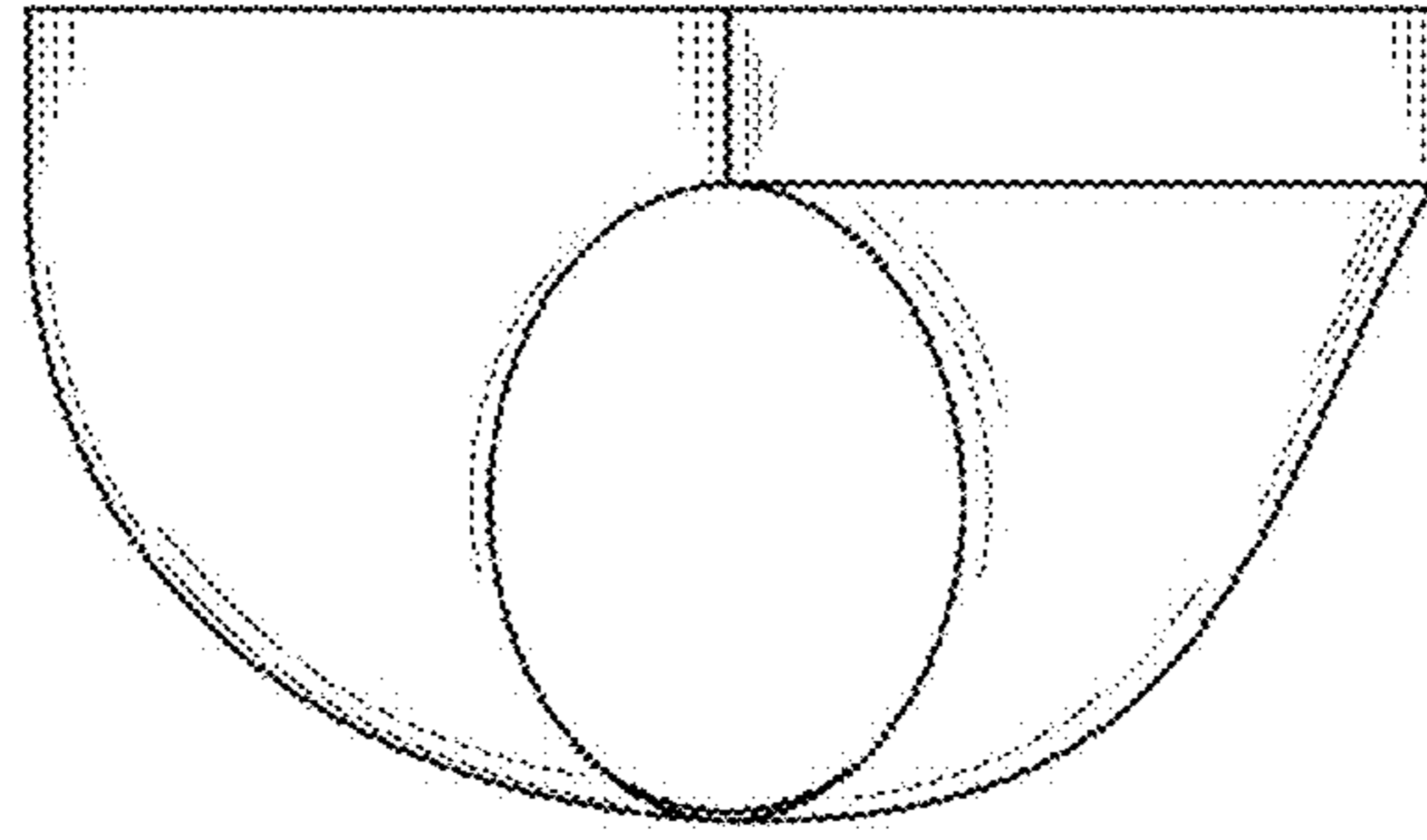


FIG. 11

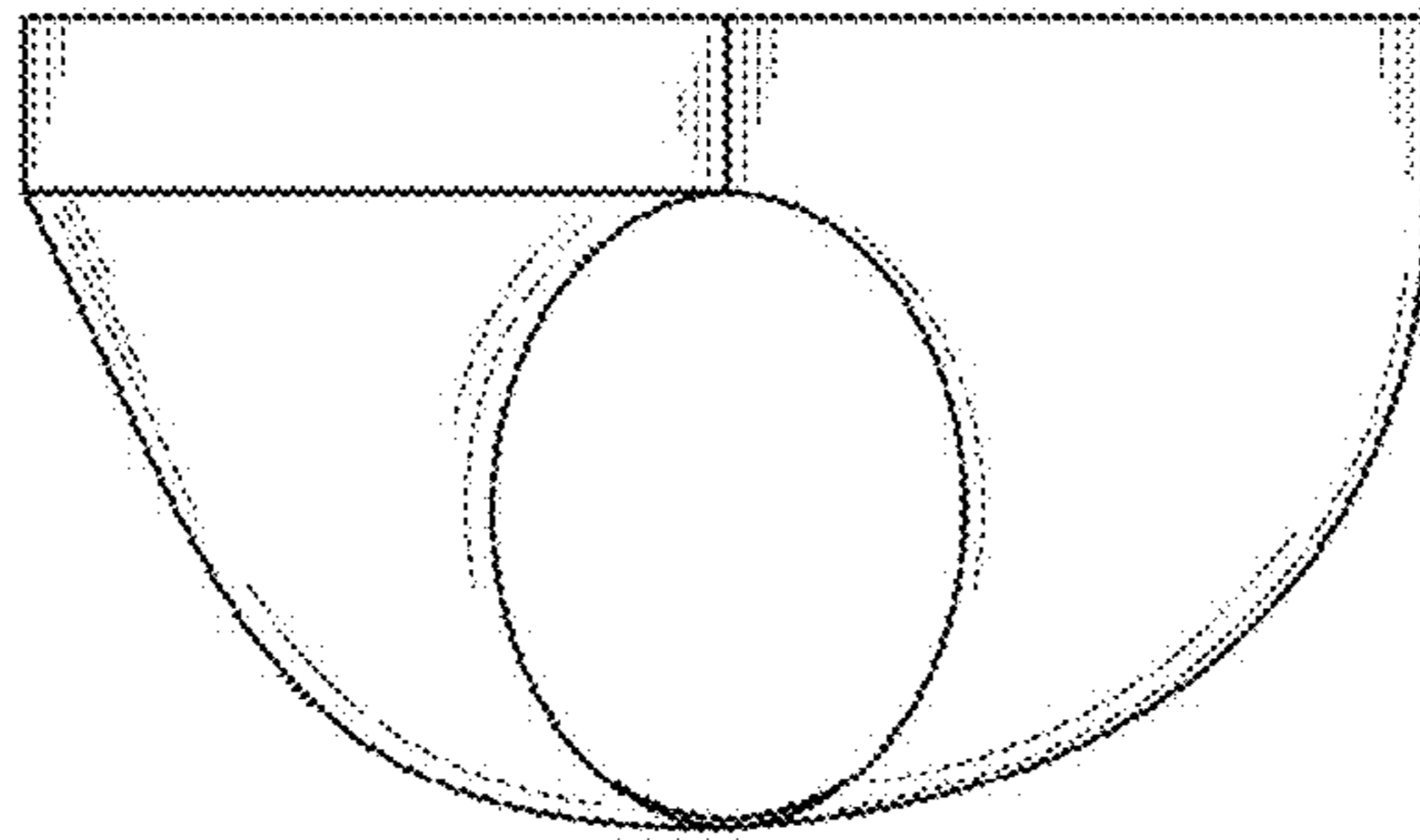


FIG. 12

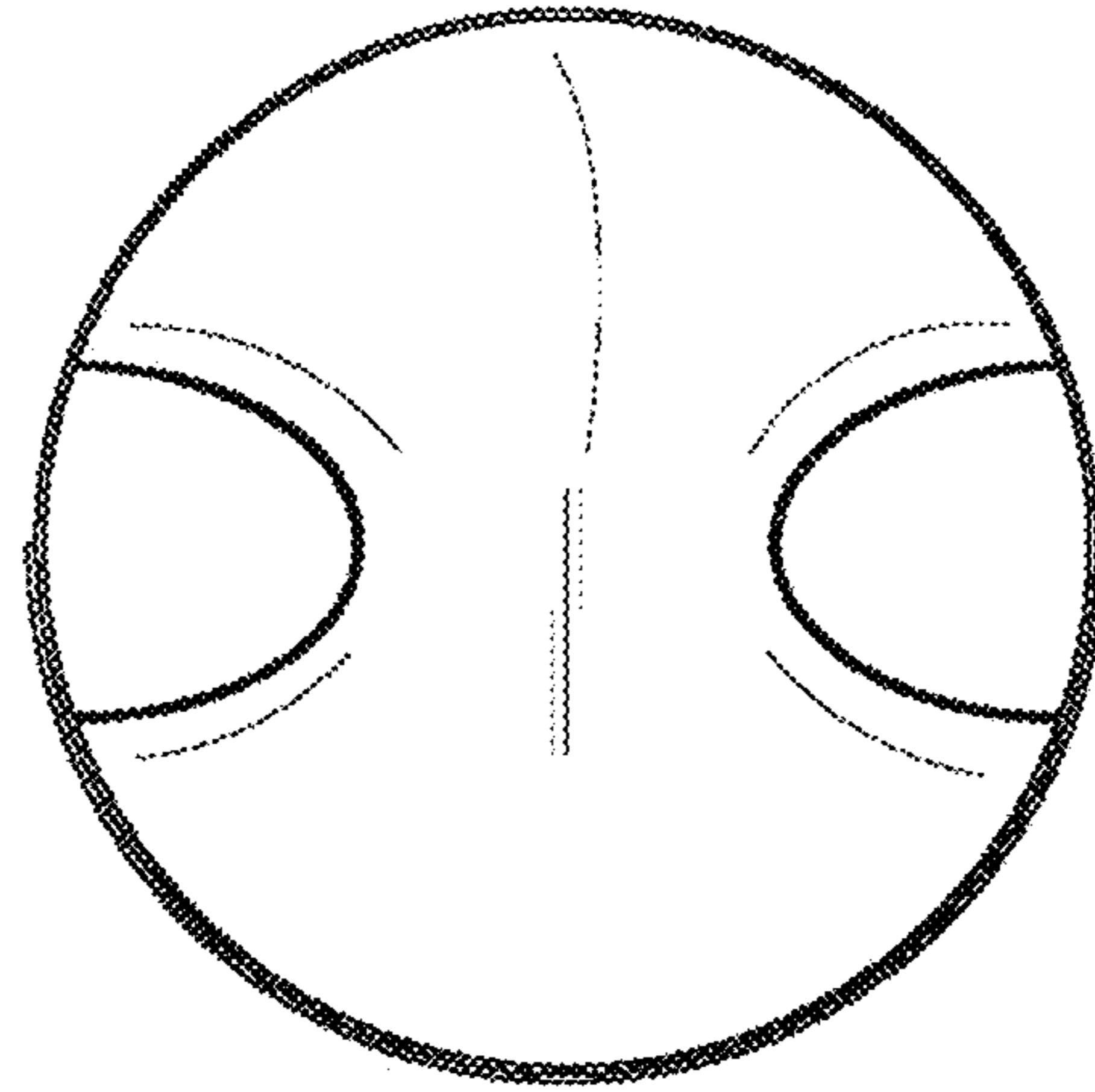


FIG. 13

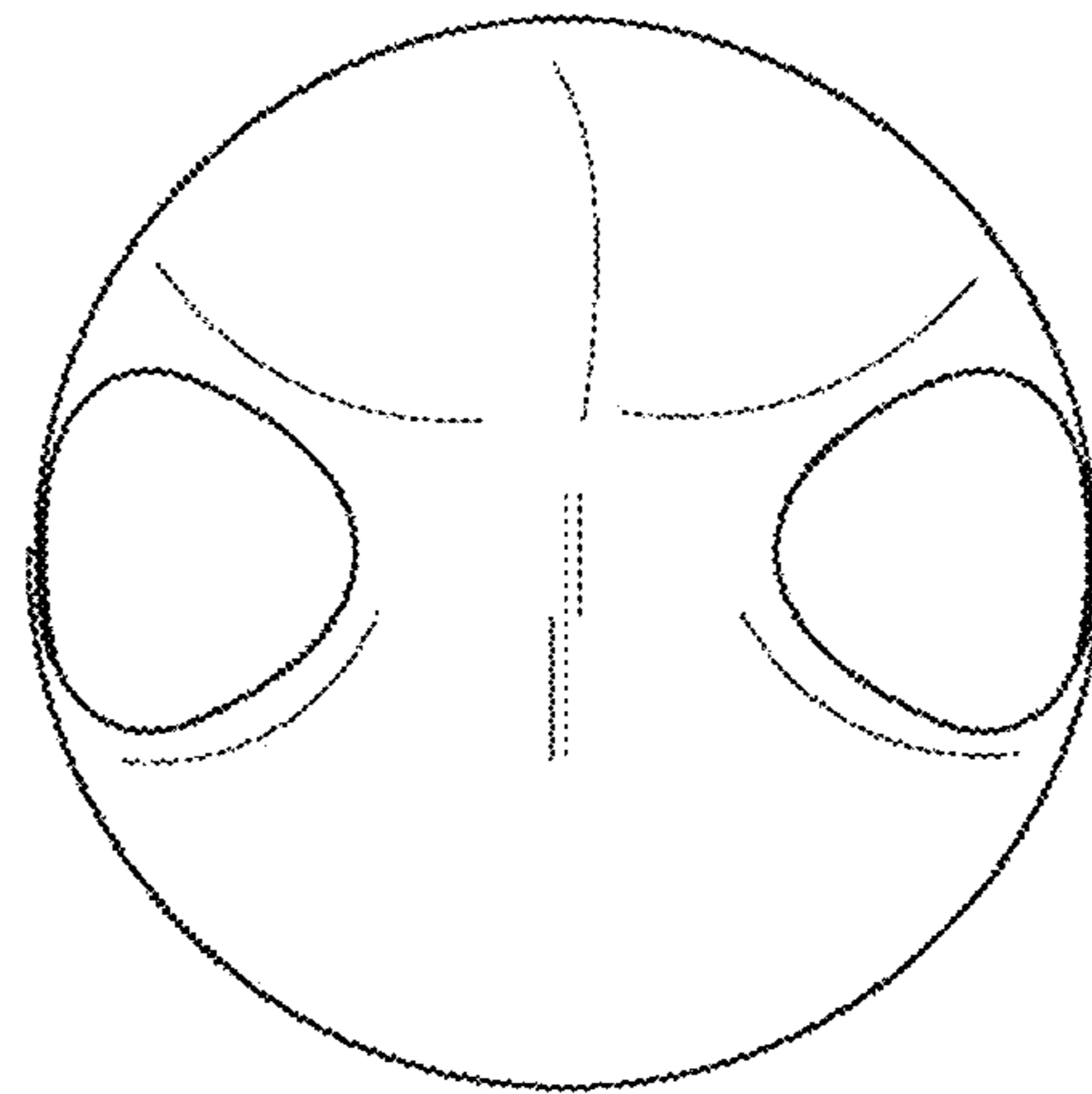


FIG. 14