



US00D958486S

(12) **United States Design Patent** (10) **Patent No.:** **US D958,486 S**
Ashcroft (45) **Date of Patent:** **** Jul. 26, 2022**

(54) **SANDWICH GRIPPER**

Primary Examiner — Katie Jane Stofko

(71) Applicant: **Barbara Ashcroft**, Germantown, TN (US)

(74) *Attorney, Agent, or Firm* — Hulsey P.C.

(72) Inventor: **Barbara Ashcroft**, Germantown, TN (US)

(57) **CLAIM**

(**) Term: **15 Years**

The ornamental design for a sandwich gripper, as shown and described.

(21) Appl. No.: **29/748,466**

(22) Filed: **Aug. 28, 2020**

DESCRIPTION

(51) **LOC (13) Cl.** **01-01**

(52) **U.S. Cl.**

USPC **D1/105**

(58) **Field of Classification Search**

USPC D1/100–130, 199; 426/94, 104, 138, 426/143, 144, 274, 283, 303, 391, 512, 426/514, 518, 549; D6/597, 601; D7/675, 560, 566, 568, 601, 700; D24/121, 122; D28/8.1, 8.2; D21/385, D21/386, 707; D11/164; D9/430, 456
CPC A23L 1/0067; A23L 1/005; A23L 1/0052; A23L 1/217; A23G 9/48; A23G 3/54; A23V 2002/00

See application file for complete search history.

FIG. 1 is a bottom, front, right side perspective view of a first embodiment of a sandwich gripper showing my new design in an open configuration;

FIG. 2 is a front elevation view thereof;

FIG. 3 is a rear elevation view thereof;

FIG. 4 is a left side elevation view thereof;

FIG. 5 is a right side elevation view thereof;

FIG. 6 is a top plan view thereof;

FIG. 7 is a bottom plan view thereof;

FIG. 8 is another bottom, front, right side perspective view thereof, shown in an environment of use;

FIG. 9 is another bottom, front, right side perspective view thereof, shown in a closed configuration;

FIG. 10 is a bottom, front, right side perspective view of a second embodiment of a sandwich gripper showing my new design in an open configuration;

FIG. 11 is a front elevation view thereof;

FIG. 12 is a rear elevation view thereof;

FIG. 13 is a left side elevation view thereof;

FIG. 14 is a right side elevation view thereof;

FIG. 15 is a top plan view thereof;

FIG. 16 is a bottom plan view thereof; and,

FIG. 17 is another bottom, front, right side perspective view thereof, shown in an environment of use.

The broken lines shown in FIGS. 1-5 and 10-14 illustrate portions of the sandwich gripper that form no part of the claimed design. The broken lines illustrating the sandwich in FIGS. 8 and 17 are environment, that form no part of the claimed design.

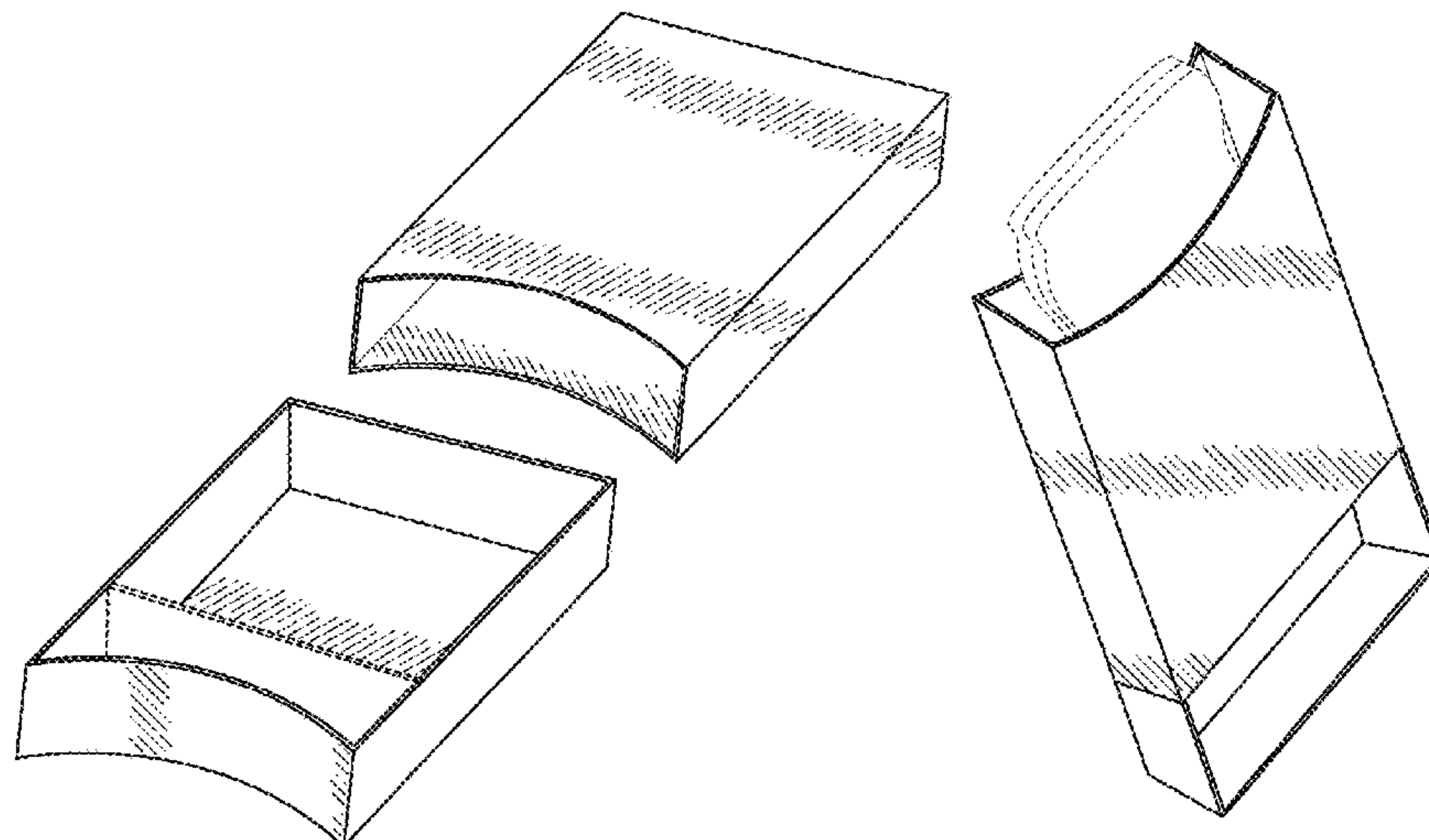
(56) **References Cited**

U.S. PATENT DOCUMENTS

3,003,207 A * 10/1961 Powers A47G 21/001 229/938
3,391,782 A * 7/1968 Kaspar B65D 5/2057 426/115
4,511,039 A * 4/1985 Siemek A47G 21/001 426/115
D314,887 S * 2/1991 Tomaras D7/601
D343,764 S * 2/1994 Baroud D7/601
5,875,894 A * 3/1999 Stromme A47G 23/03 206/541
7,414,230 B2 * 8/2008 Fitzwater A47G 21/001 219/730
D840,232 S * 2/2019 Sill D9/456

(Continued)

1 Claim, 8 Drawing Sheets



(56)

References Cited

U.S. PATENT DOCUMENTS

10,414,573	B2 *	9/2019	Pinkstone	B65D 5/2033
2002/0129581	A1 *	9/2002	Correll	A47G 21/001
					53/461
2004/0101605	A1 *	5/2004	Sigel	A21D 15/00
					426/394
2006/0096978	A1 *	5/2006	Lafferty	B65D 81/386
					219/730
2007/0235399	A1 *	10/2007	Kim	A47F 7/0071
					211/85.4

* cited by examiner

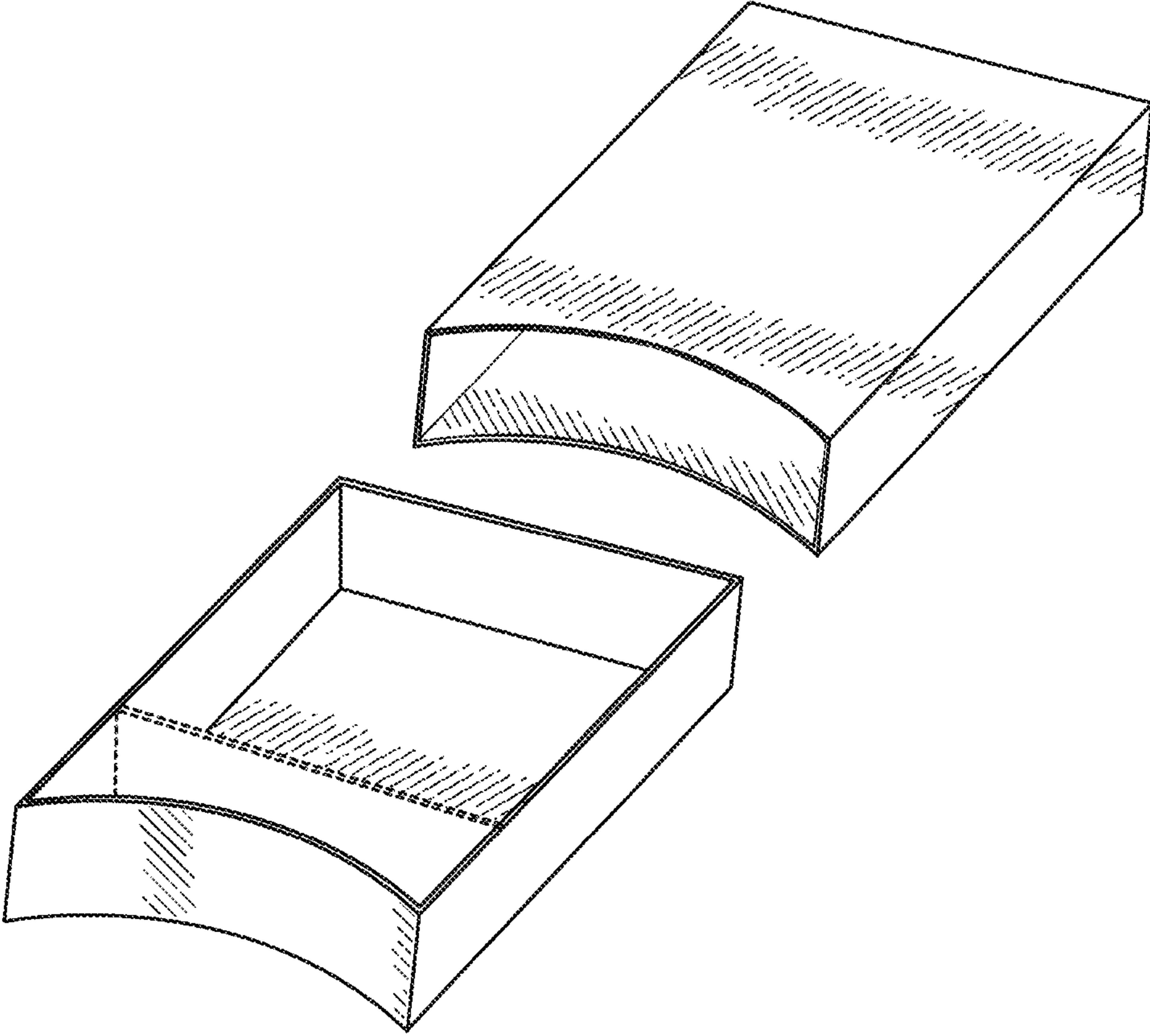


FIG. 1

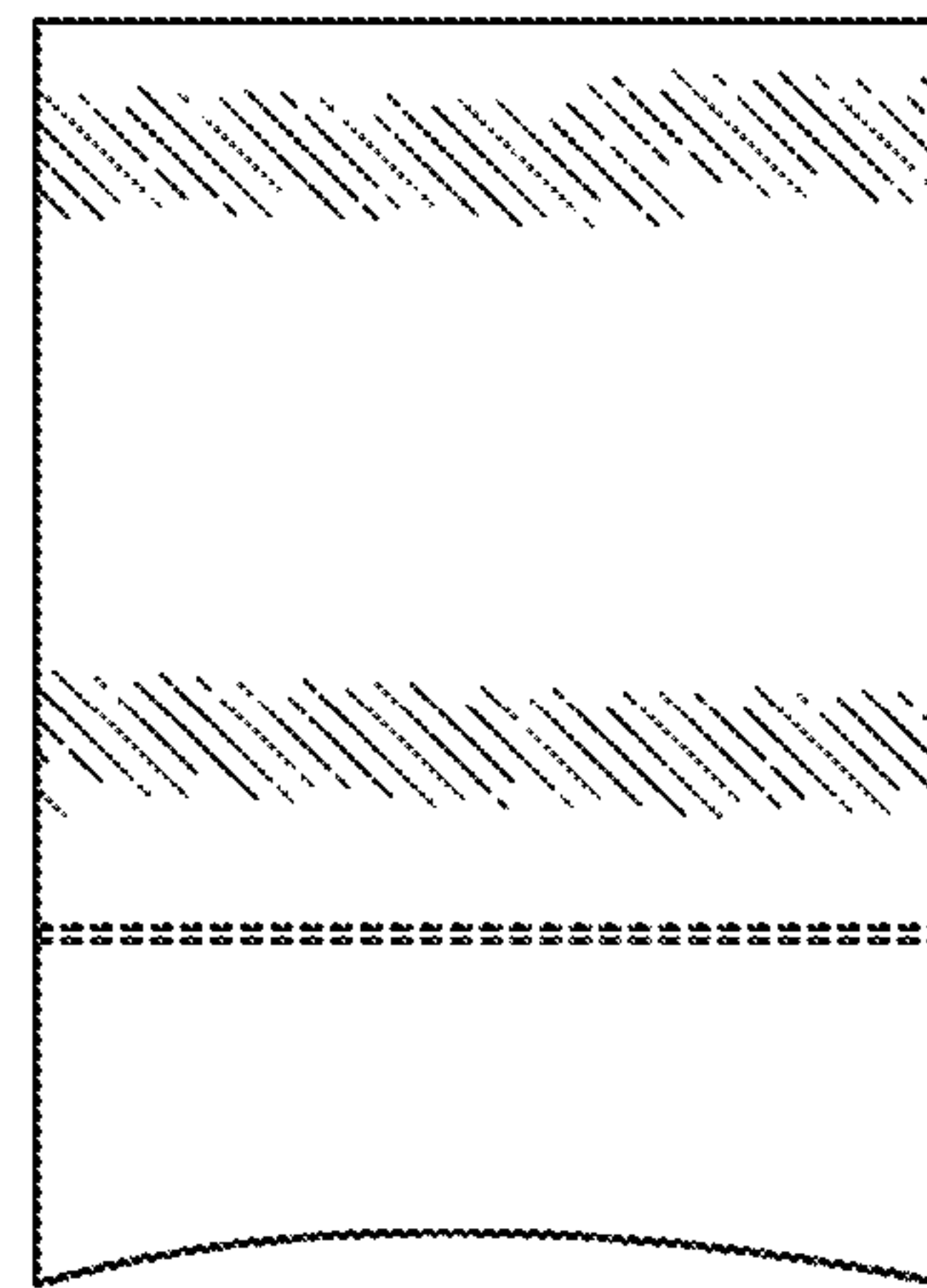
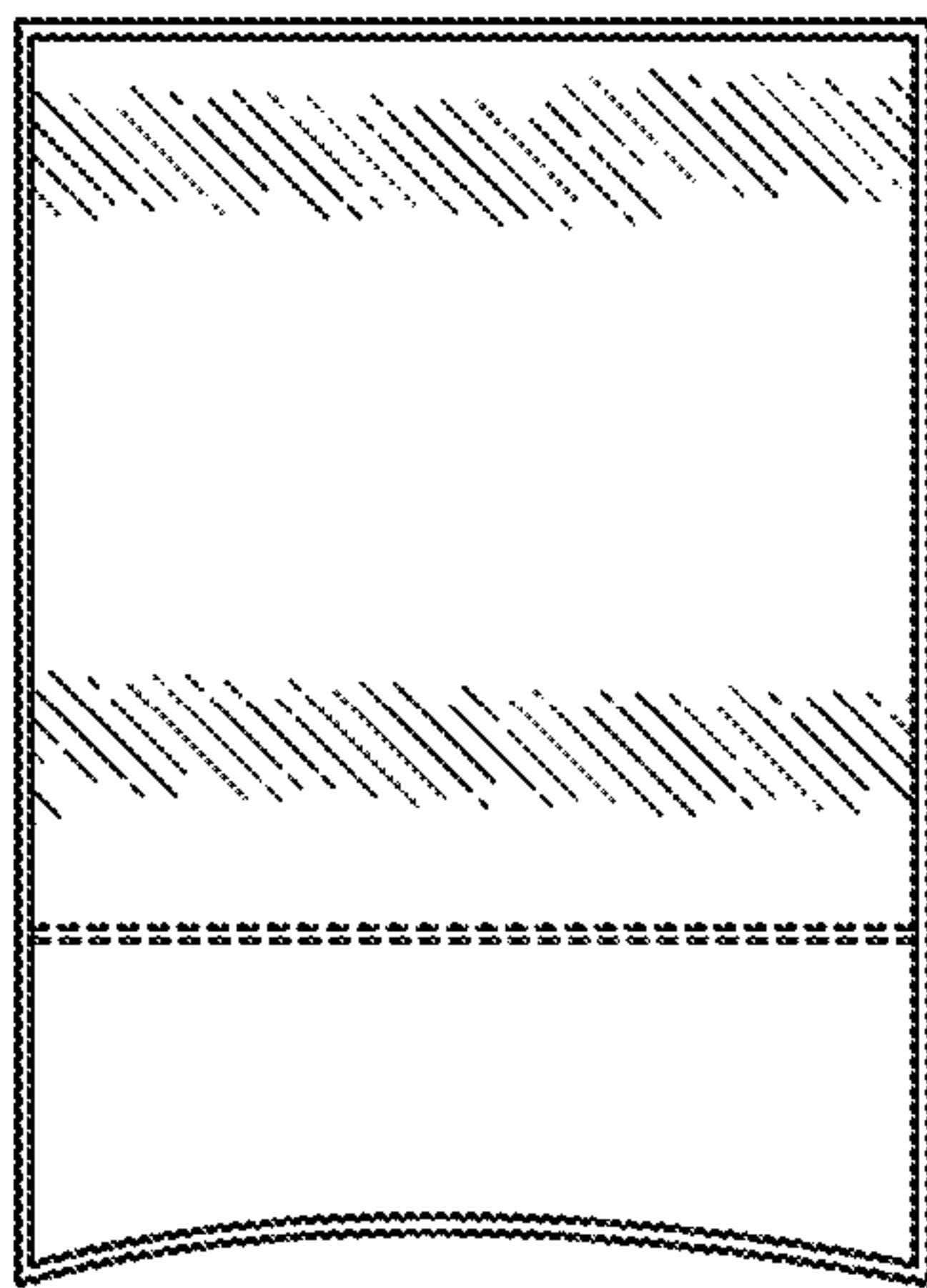
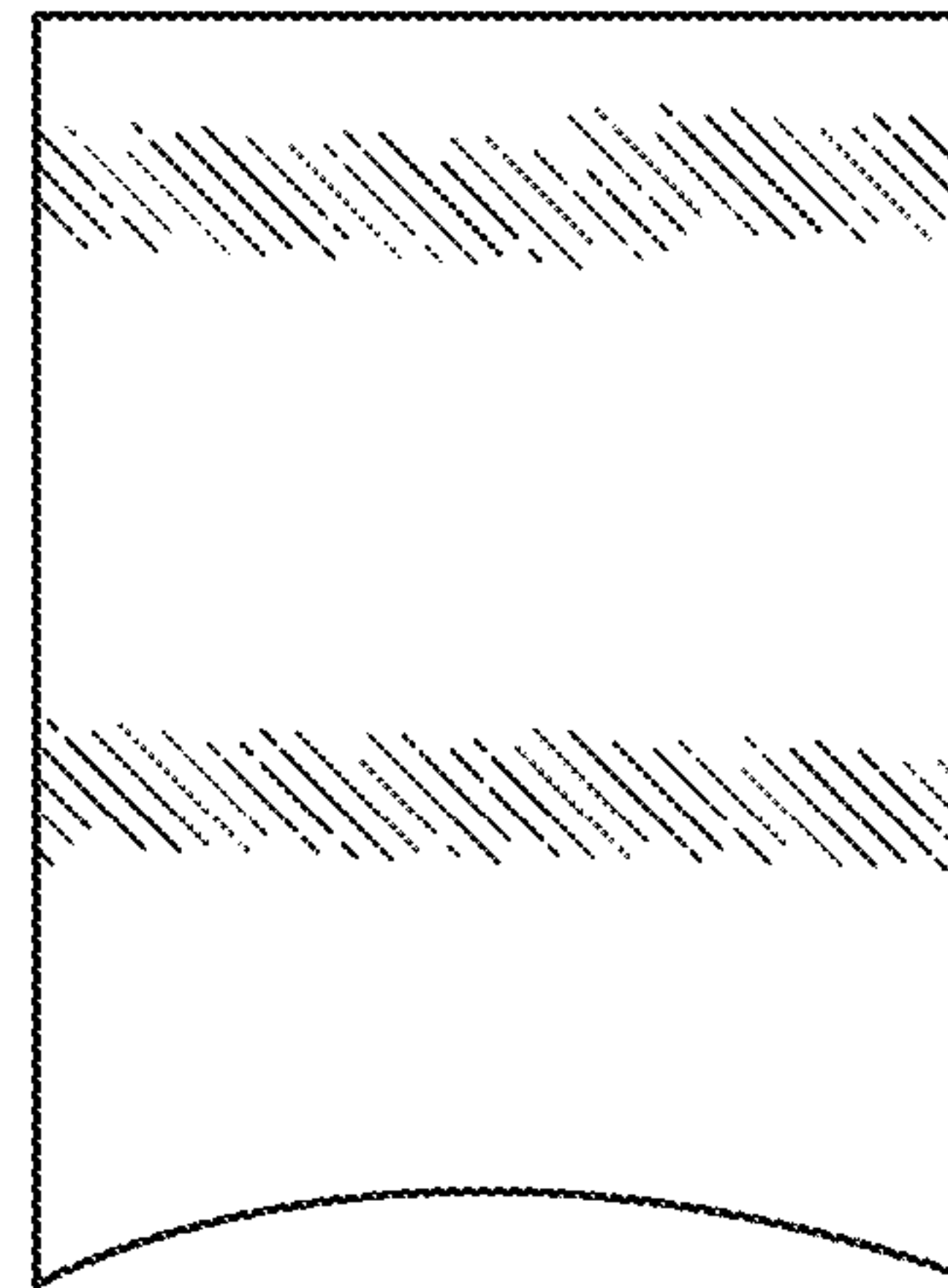
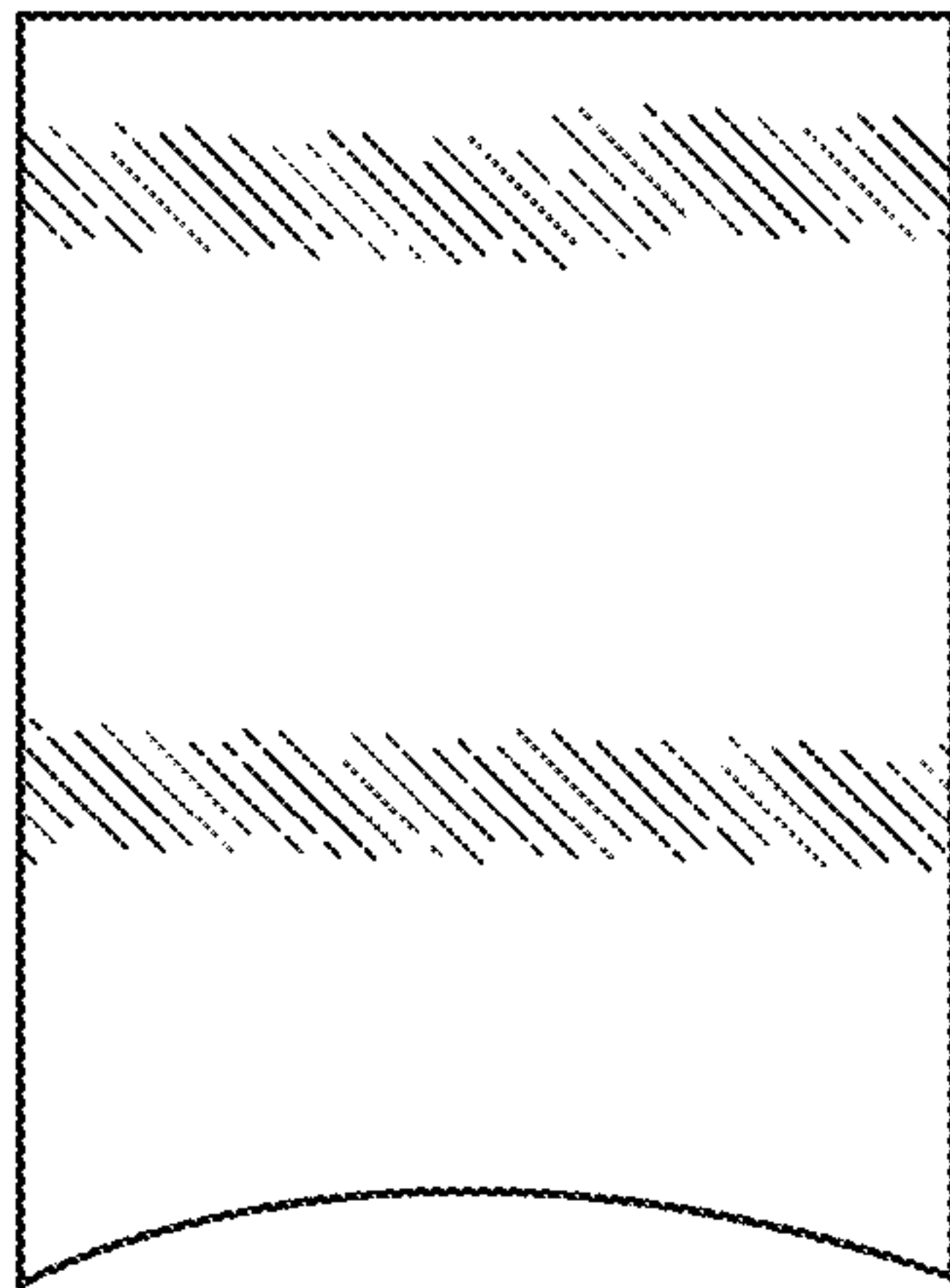


FIG. 2

FIG. 3

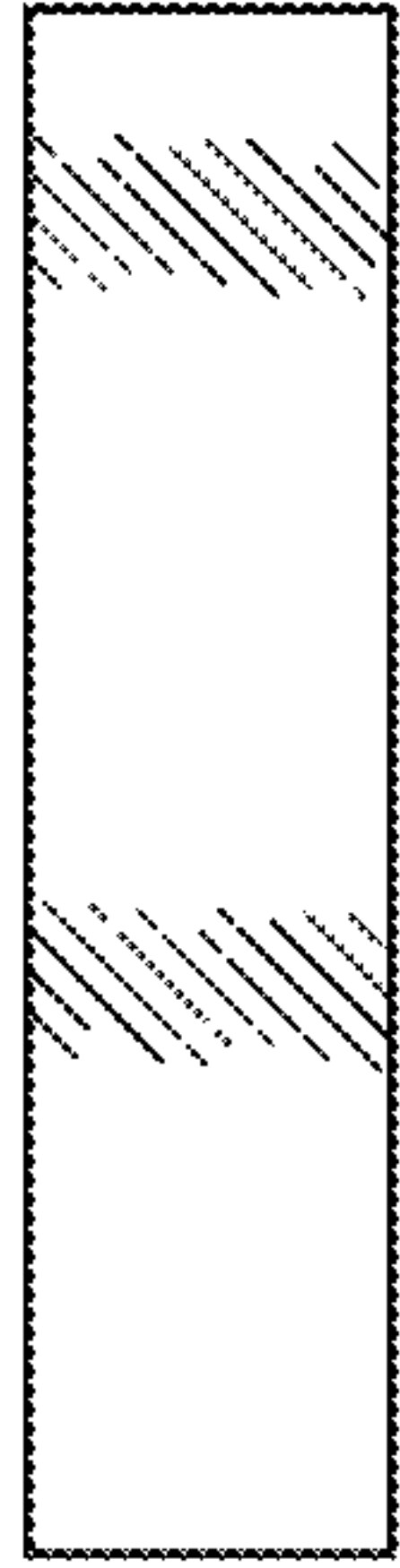


FIG. 4

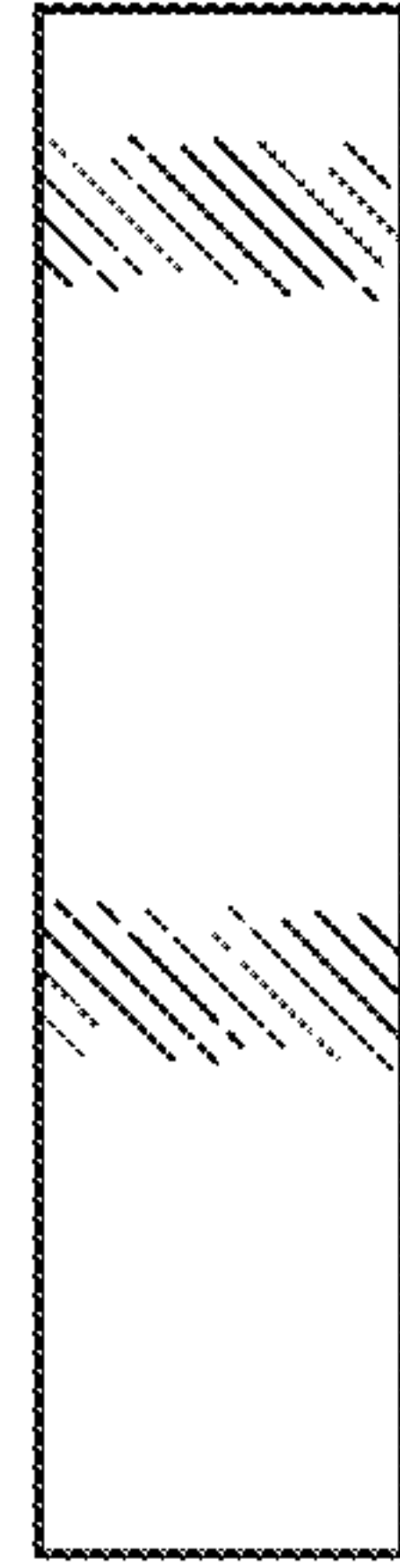


FIG. 5

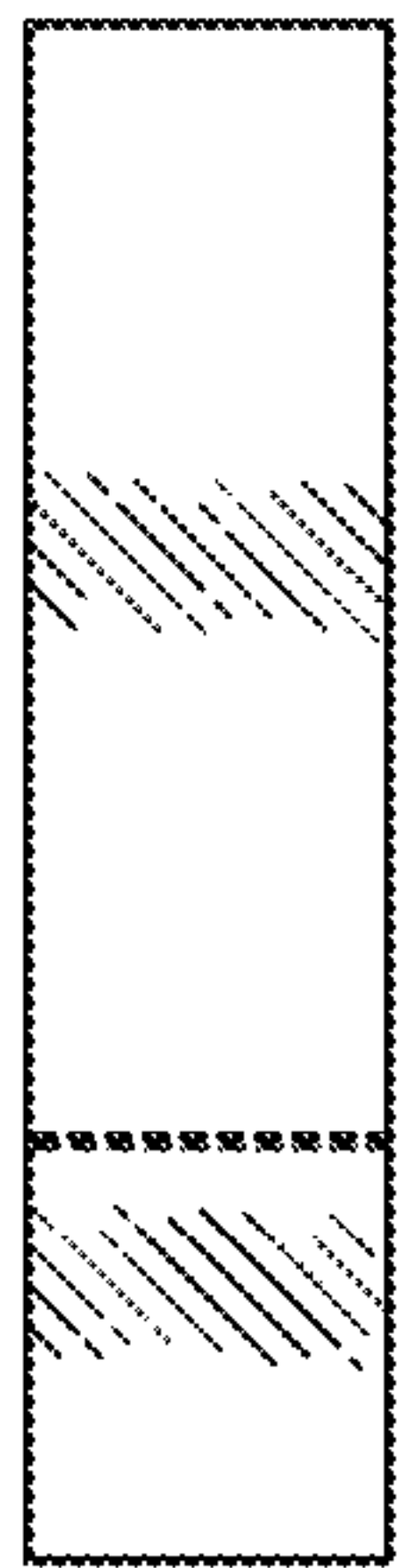


FIG. 6

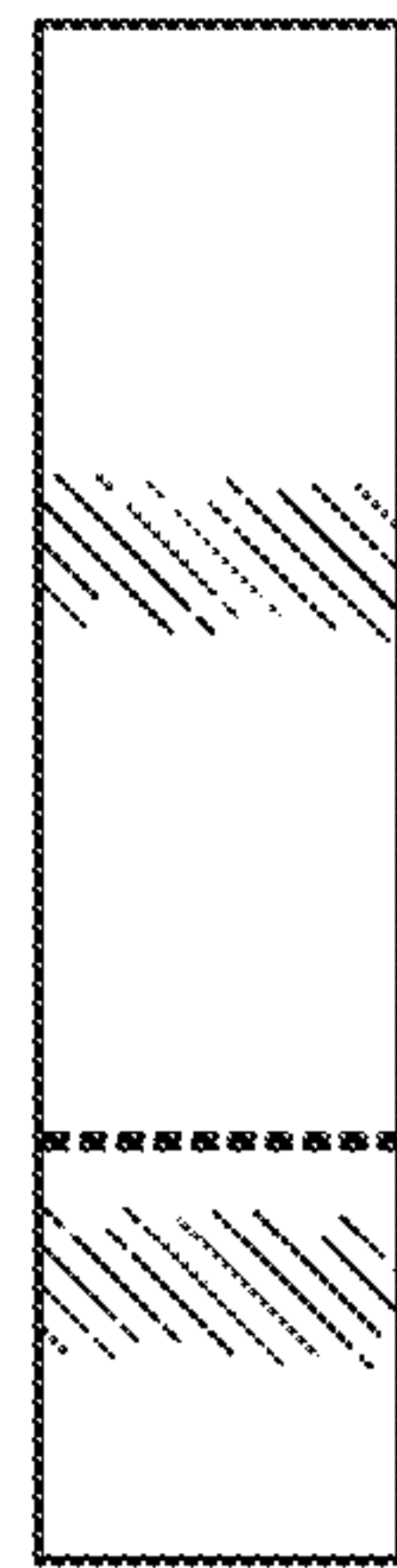


FIG. 7

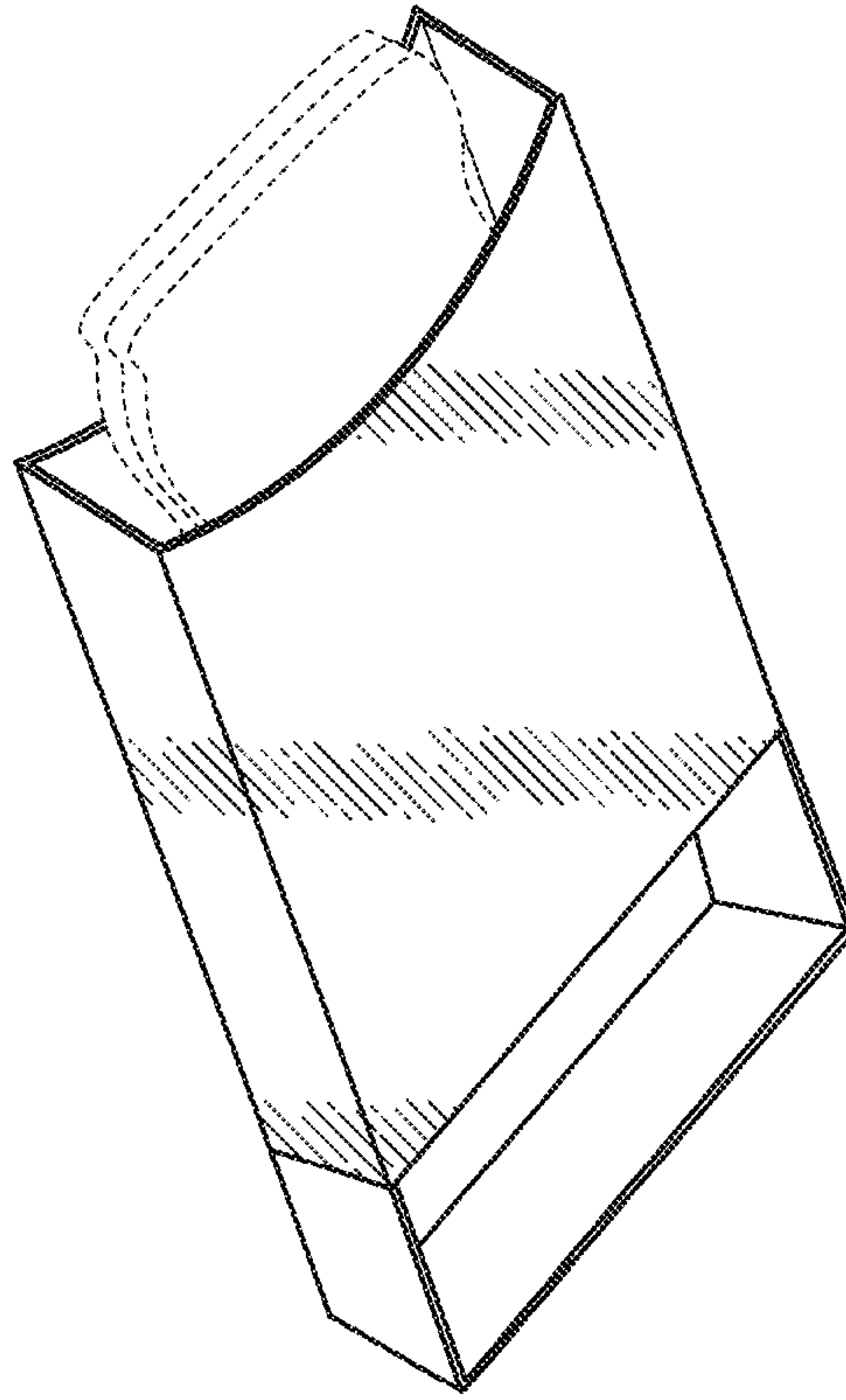


FIG. 8

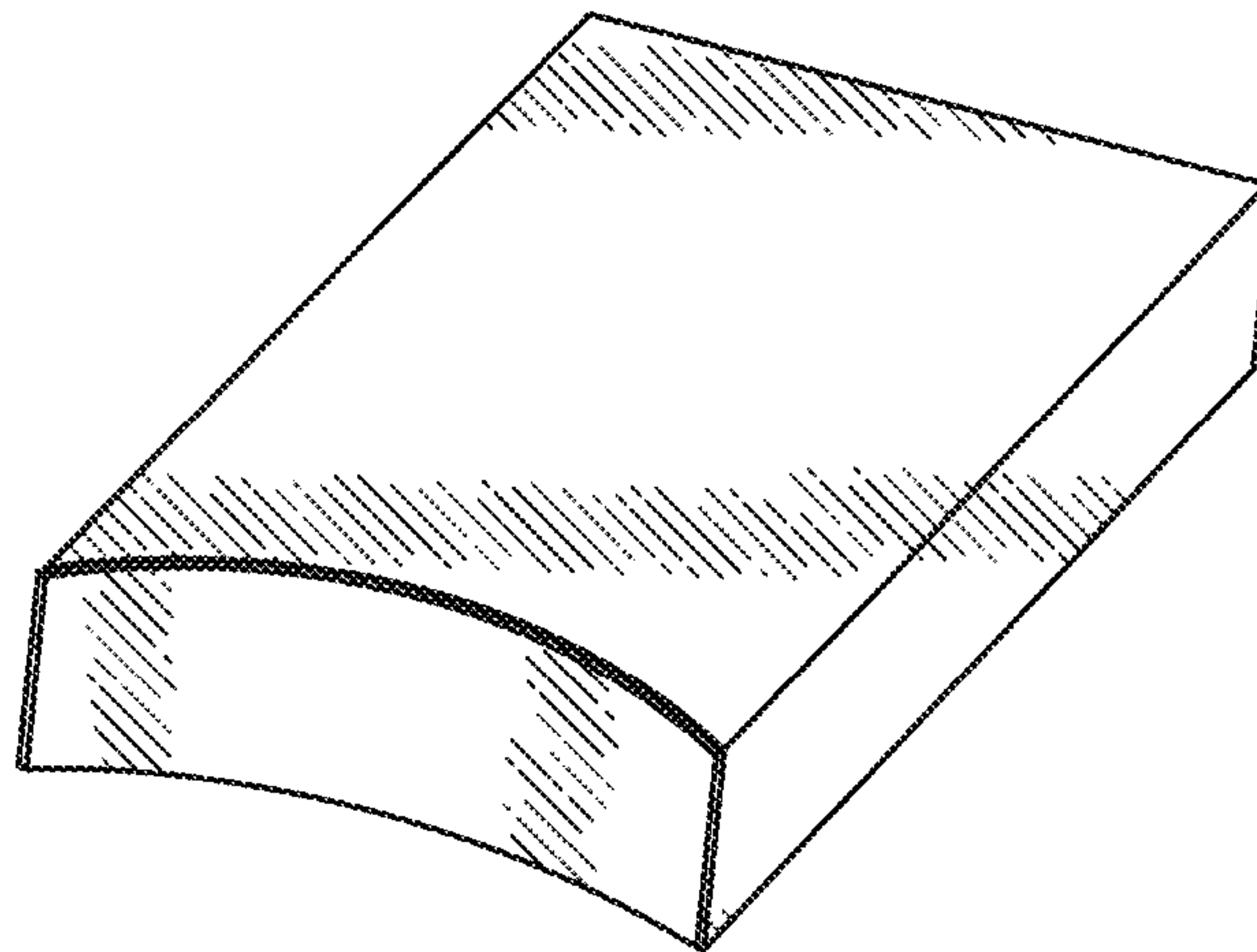


FIG. 9

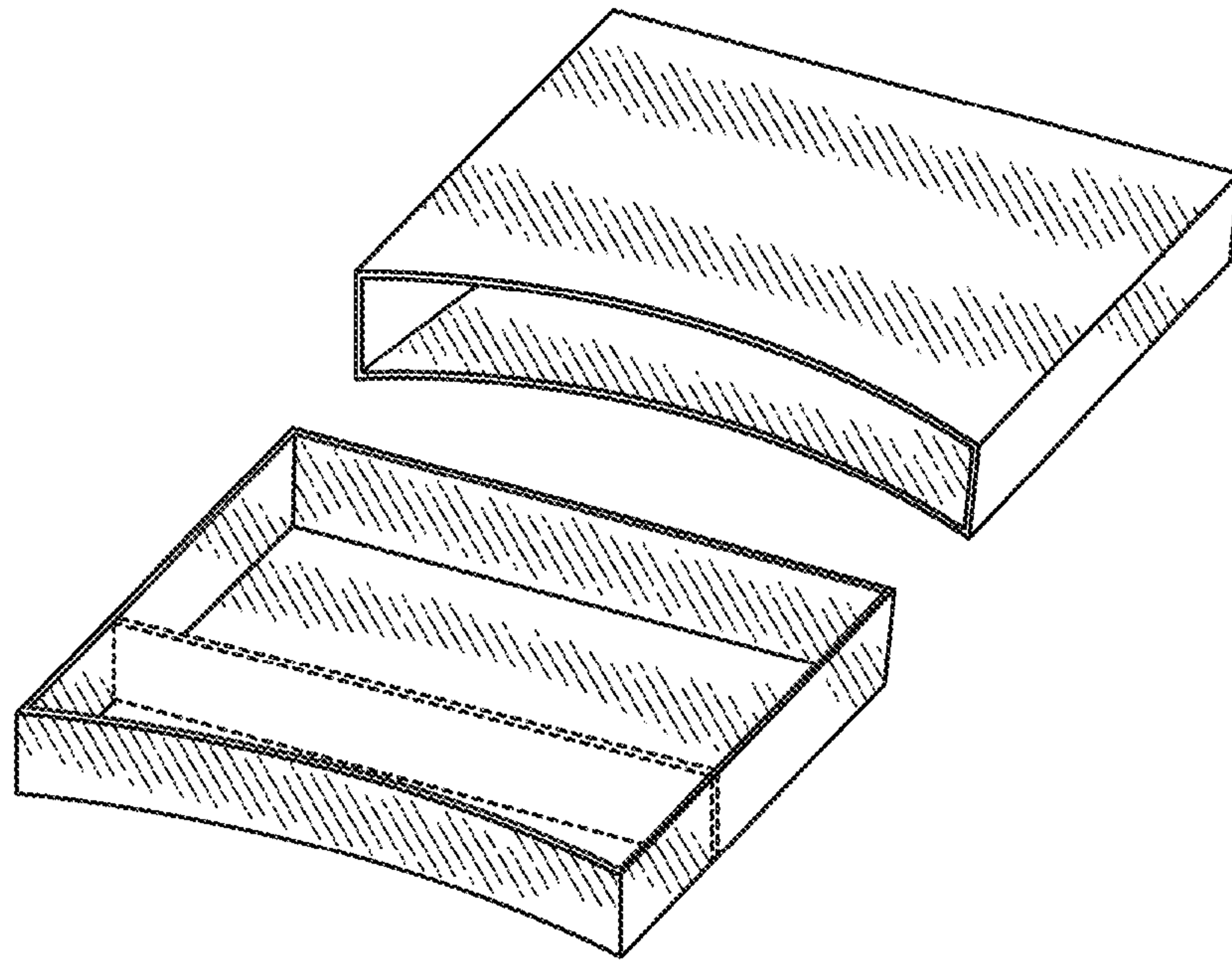


FIG. 10

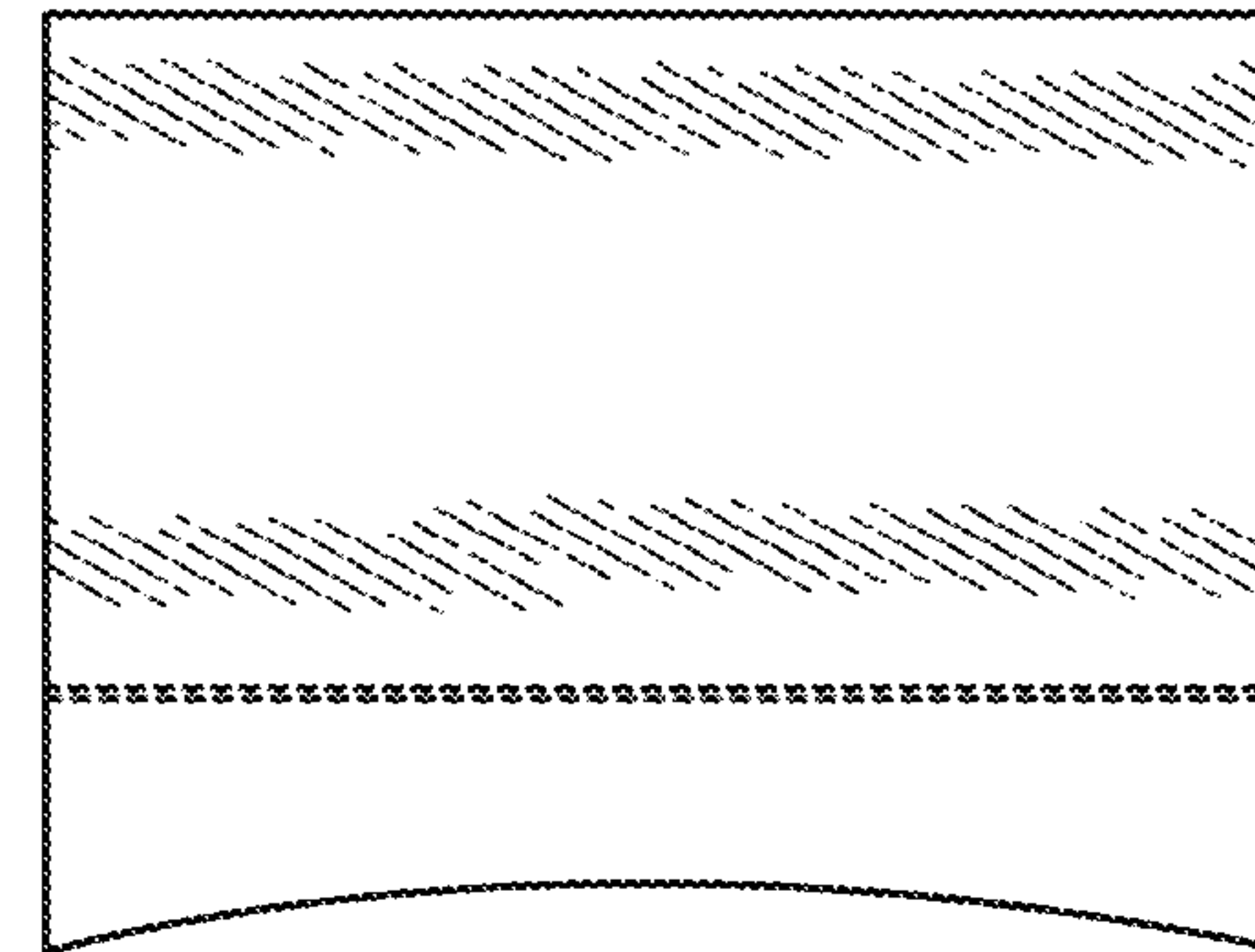
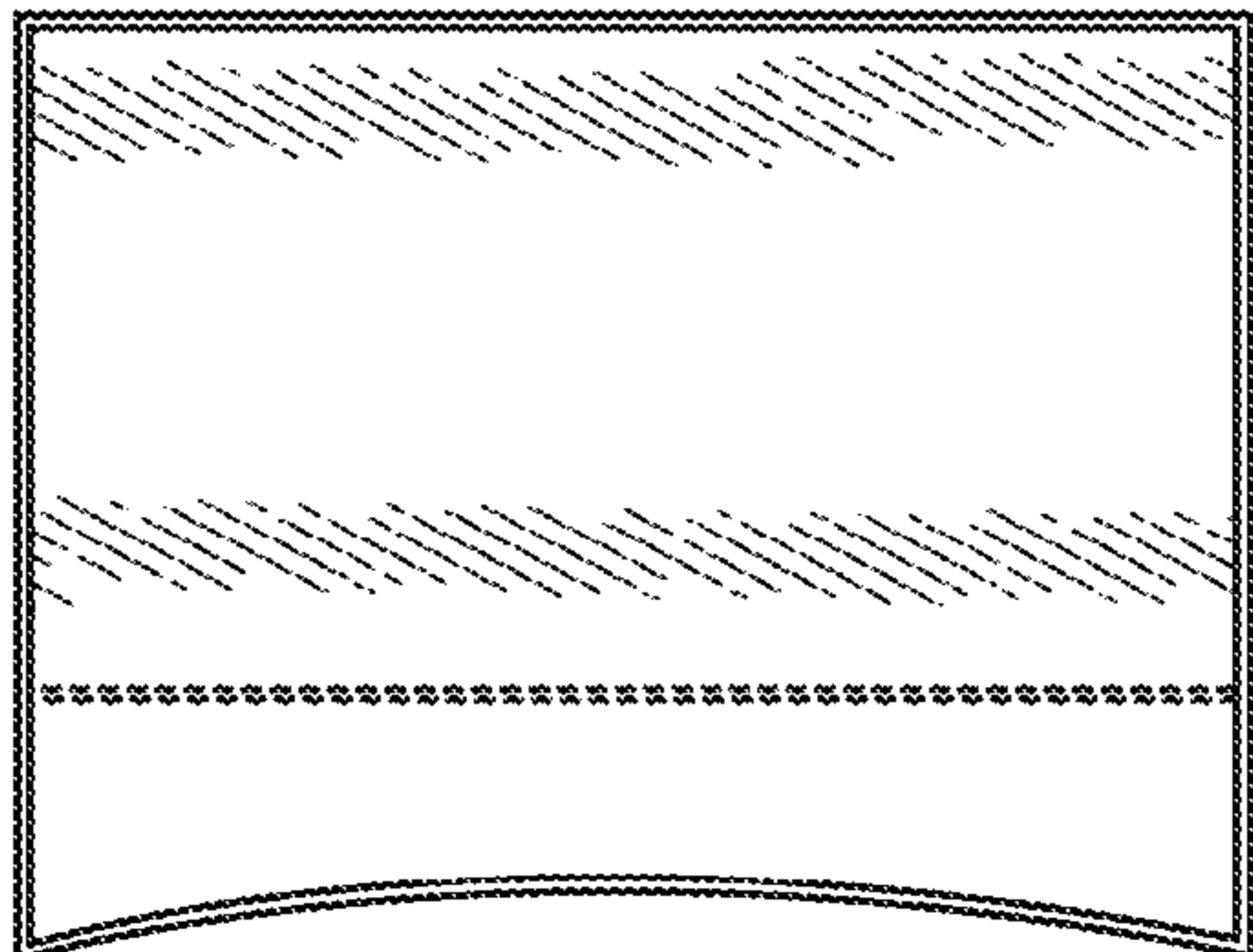
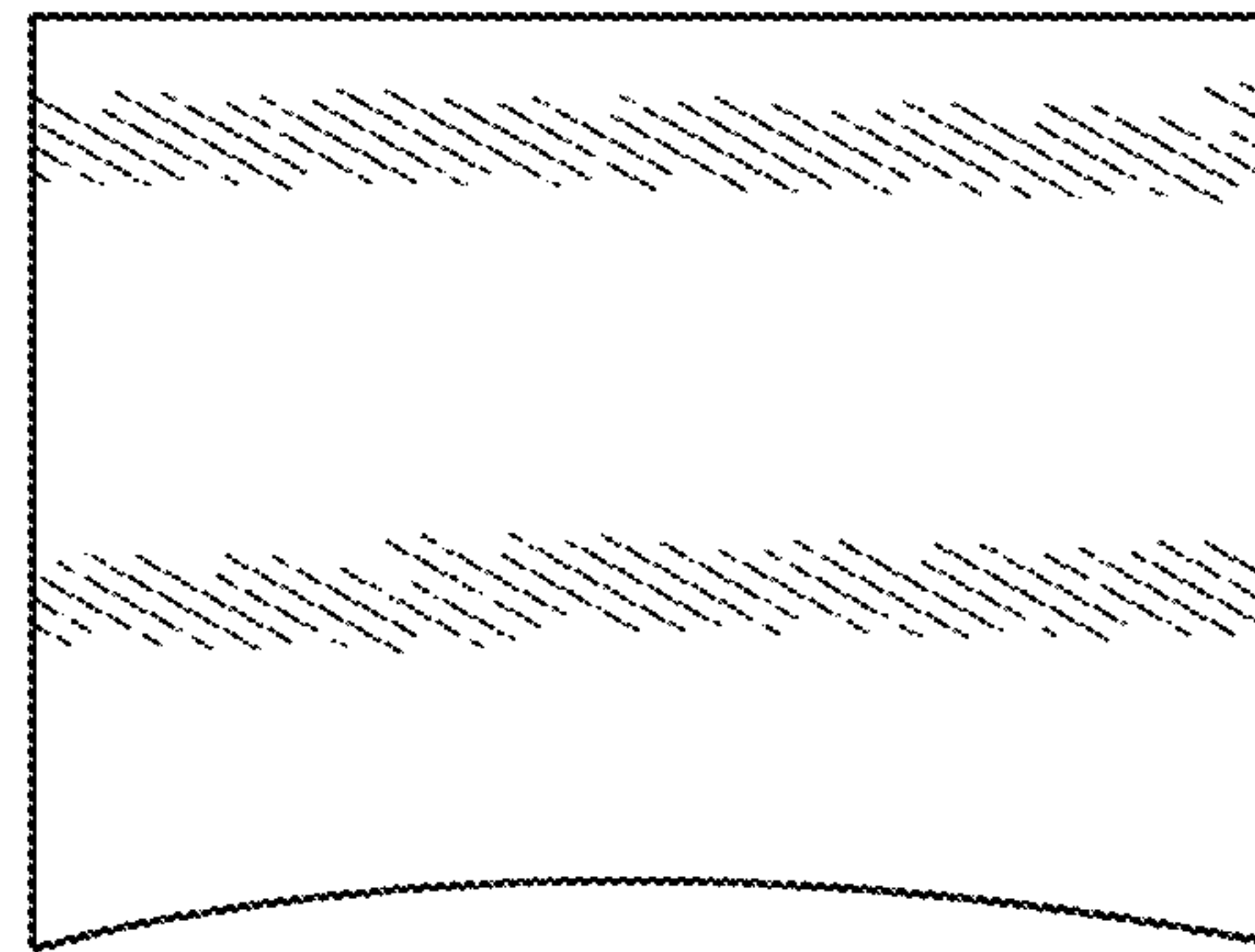
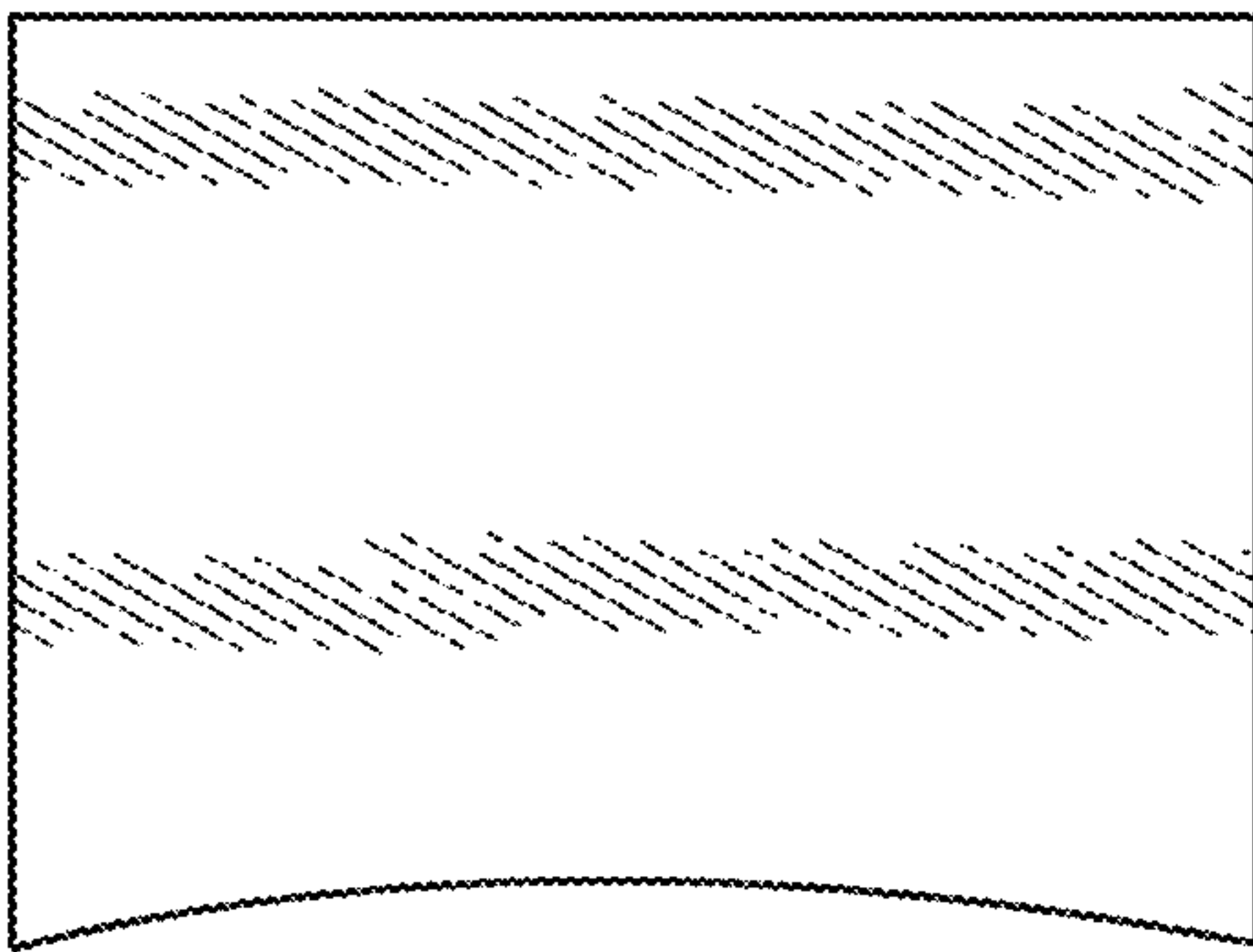


FIG. 11

FIG. 12



FIG. 13

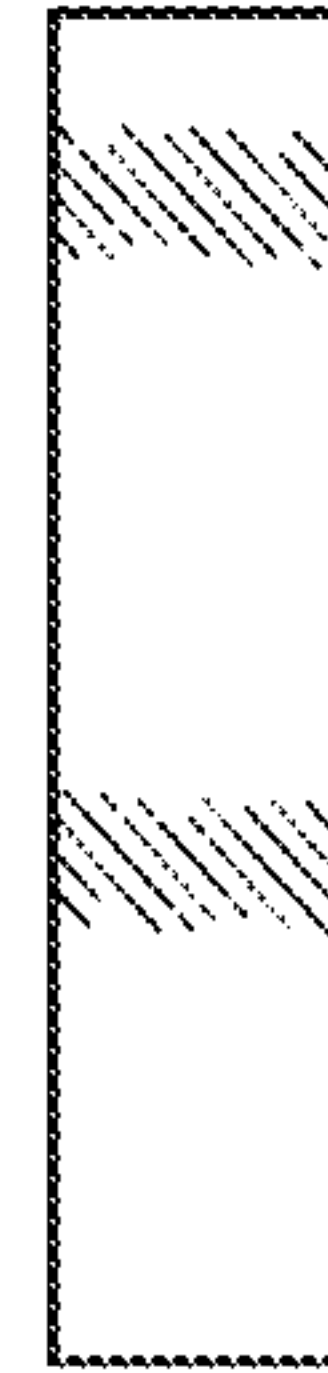


FIG. 14

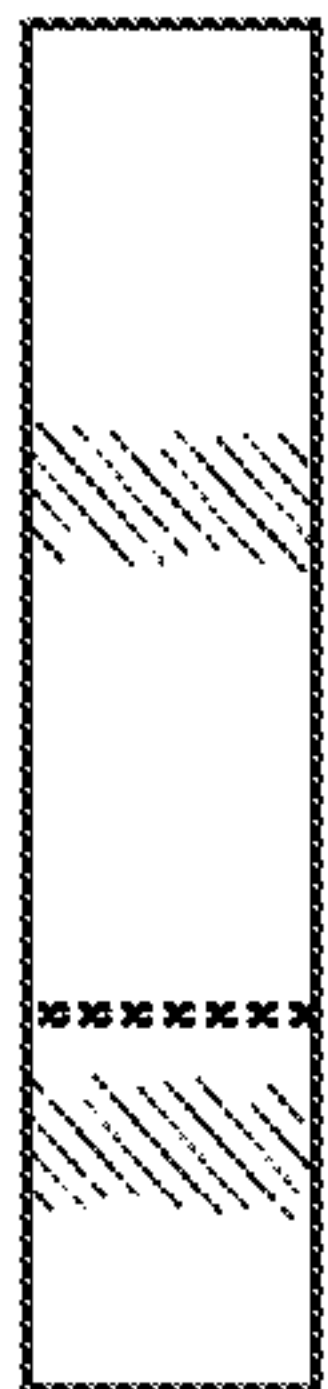


FIG. 15



FIG. 16

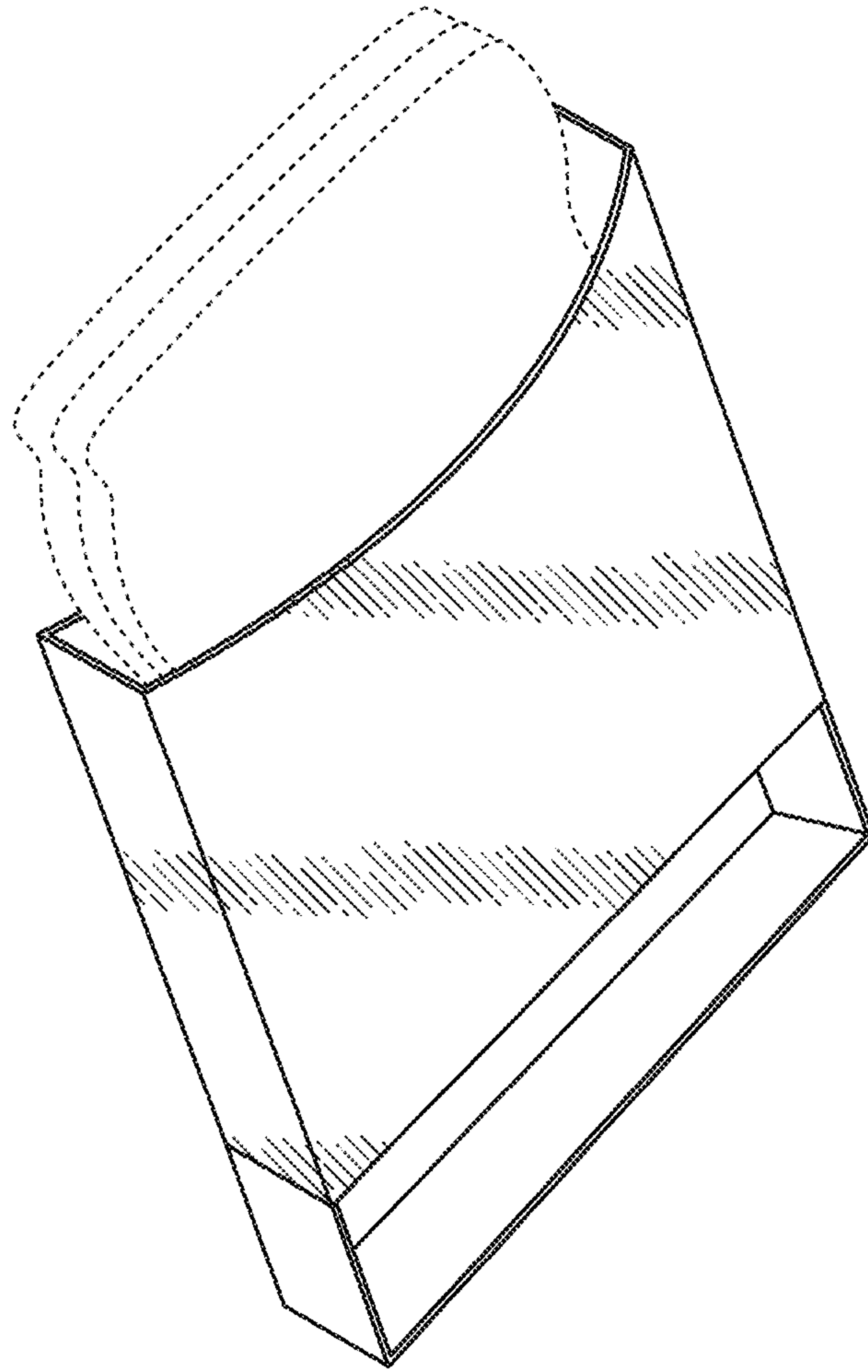


FIG. 17