



US00D958483S

(12) **United States Design Patent**  
**Busch**

(10) **Patent No.:** **US D958,483 S**  
(45) **Date of Patent:** **\*\* Jul. 19, 2022**

(54) **BIN**  
(71) Applicant: **BUSCH SYSTEMS**  
**INTERNATIONAL INC.**, Barrie (CA)  
(72) Inventor: **Craig Busch**, Barrie (CA)  
(73) Assignee: **BUSCH SYSTEMS**  
**INTERNATIONAL INC.**, Barrie (CA)  
(\*\*) Term: **15 Years**

D309,116 S \* 7/1990 Marshall ..... D10/62  
5,022,132 A \* 6/1991 Valster ..... B65G 39/09  
198/842  
D404,865 S \* 1/1999 Zackson ..... D34/1  
D420,479 S \* 2/2000 Delmerico ..... D34/1  
D442,753 S \* 5/2001 Weiss ..... D34/1  
6,808,063 B2 \* 10/2004 Itoh ..... B65G 13/06  
198/788  
7,285,928 B1 \* 10/2007 Jolly ..... B65F 1/06  
318/281  
D593,271 S \* 5/2009 Yang ..... D34/9  
D684,332 S \* 6/2013 Gollob ..... D34/1  
8,556,099 B2 \* 10/2013 Perlman ..... B65D 11/1873  
206/217  
D714,009 S \* 9/2014 Phillips ..... D34/7  
D727,584 S \* 4/2015 Busch ..... D34/7  
D762,936 S \* 8/2016 Tuncel ..... D34/8  
D763,531 S \* 8/2016 Mattern ..... D34/7  
D765,937 S \* 9/2016 Chen ..... D34/7  
D766,538 S \* 9/2016 Thuma ..... D34/7  
D835,373 S \* 12/2018 Busch ..... D34/7

(21) Appl. No.: **29/751,203**

(22) Filed: **Sep. 18, 2020**

(30) **Foreign Application Priority Data**

Mar. 23, 2020 (CA) ..... CA 194046

(51) **LOC (13) Cl.** ..... **09-09**

(52) **U.S. Cl.**  
USPC ..... **D34/1**

(58) **Field of Classification Search**  
USPC ..... D34/1, 5, 6, 7, 8, 9, 10, 11  
CPC .... B65F 1/06; B65F 1/006; B65F 1/10; B65F  
1/16; B65F 1/1607; B65F 1/67; B65F  
1/02; B65F 1/14; B65F 1/062; B65F  
1/014; B65F 1/163; B65F 1/1438; B65F  
1/162; B65F 1/23; B65F 1/004; B65F  
1/1473; B65F 1/002; B65F 1/04; B65F  
2240/138; B65F 2230/134

See application file for complete search history.

(56) **References Cited**

**U.S. PATENT DOCUMENTS**

1,809,252 A \* 6/1931 Pflimlin ..... D01H 5/80  
492/57  
D109,474 S \* 5/1938 Connor ..... D34/1  
2,844,370 A \* 7/1958 Thomas ..... B65H 3/0638  
271/42

(Continued)

*Primary Examiner* — Cynthia Ramirez

(74) *Attorney, Agent, or Firm* — Polsinelli PC

(57) **CLAIM**

The ornamental design for a bin, as shown and described.

**DESCRIPTION**

FIG. 1 is a perspective view of the bin showing my new design;

FIG. 2 is a front view of the bin;

FIG. 3 is a rear view of the bin;

FIG. 4 is a right side view of the bin;

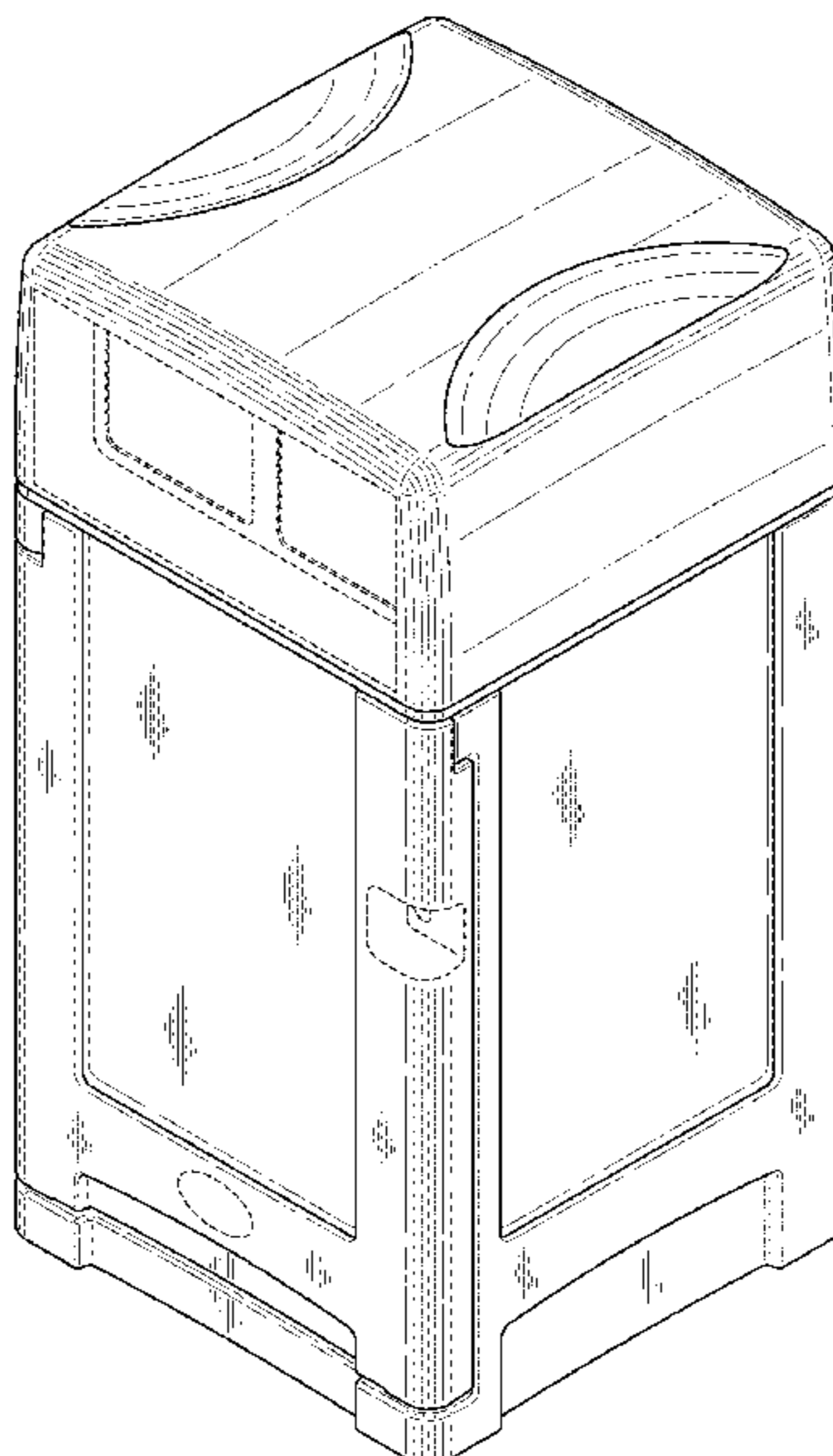
FIG. 5 is a left side view of the bin;

FIG. 6 is a top view of the bin; and,

FIG. 7 is a bottom view of the bin.

The broken lines showing in the figures are included for the purpose of illustrating portions of the bin that form no part of the claimed design.

**1 Claim, 6 Drawing Sheets**



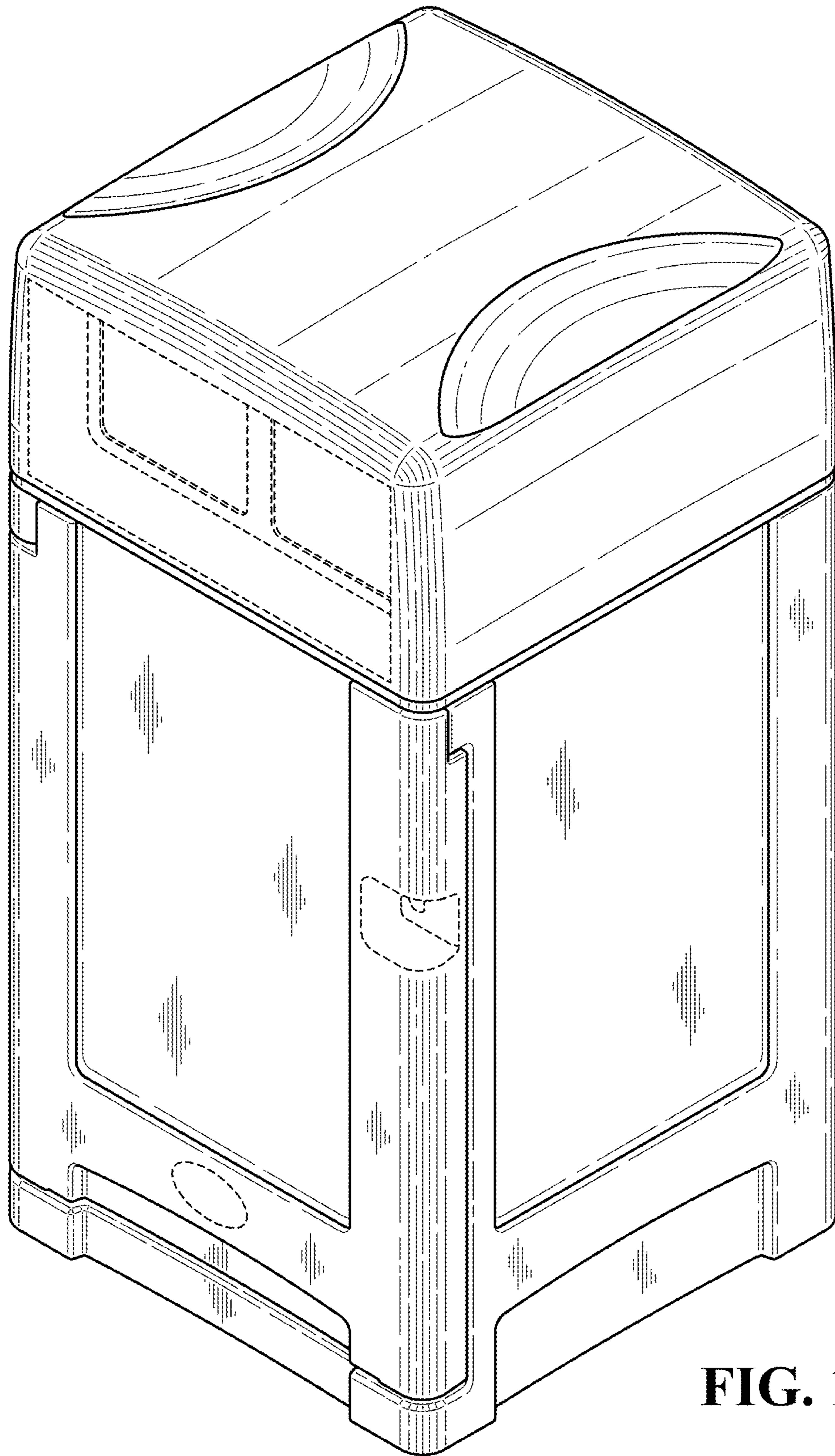
(56)

**References Cited**

U.S. PATENT DOCUMENTS

D872,960	S *	1/2020	Chen .....	D34/7
D876,040	S *	2/2020	Chen .....	D34/9
D877,441	S *	3/2020	Zhou .....	D34/9
D882,202	S *	4/2020	Lu .....	D34/9
D903,217	S *	11/2020	Smeets .....	D34/7
D909,002	S *	1/2021	Chang .....	D34/9
D911,650	S *	2/2021	Liao .....	D34/9
D915,713	S *	4/2021	Chen .....	D34/9
D925,857	S *	7/2021	Downing .....	D34/9
D930,933	S *	9/2021	Yang .....	B65F 1/1646 D34/9
D942,106	S *	1/2022	Liao .....	D34/9
2003/0219616	A1 *	11/2003	Cheng .....	A47G 19/2227 428/542.2
2013/0001289	A1 *	1/2013	Tedford .....	B65D 81/3874 229/403

\* cited by examiner



**FIG. 1**

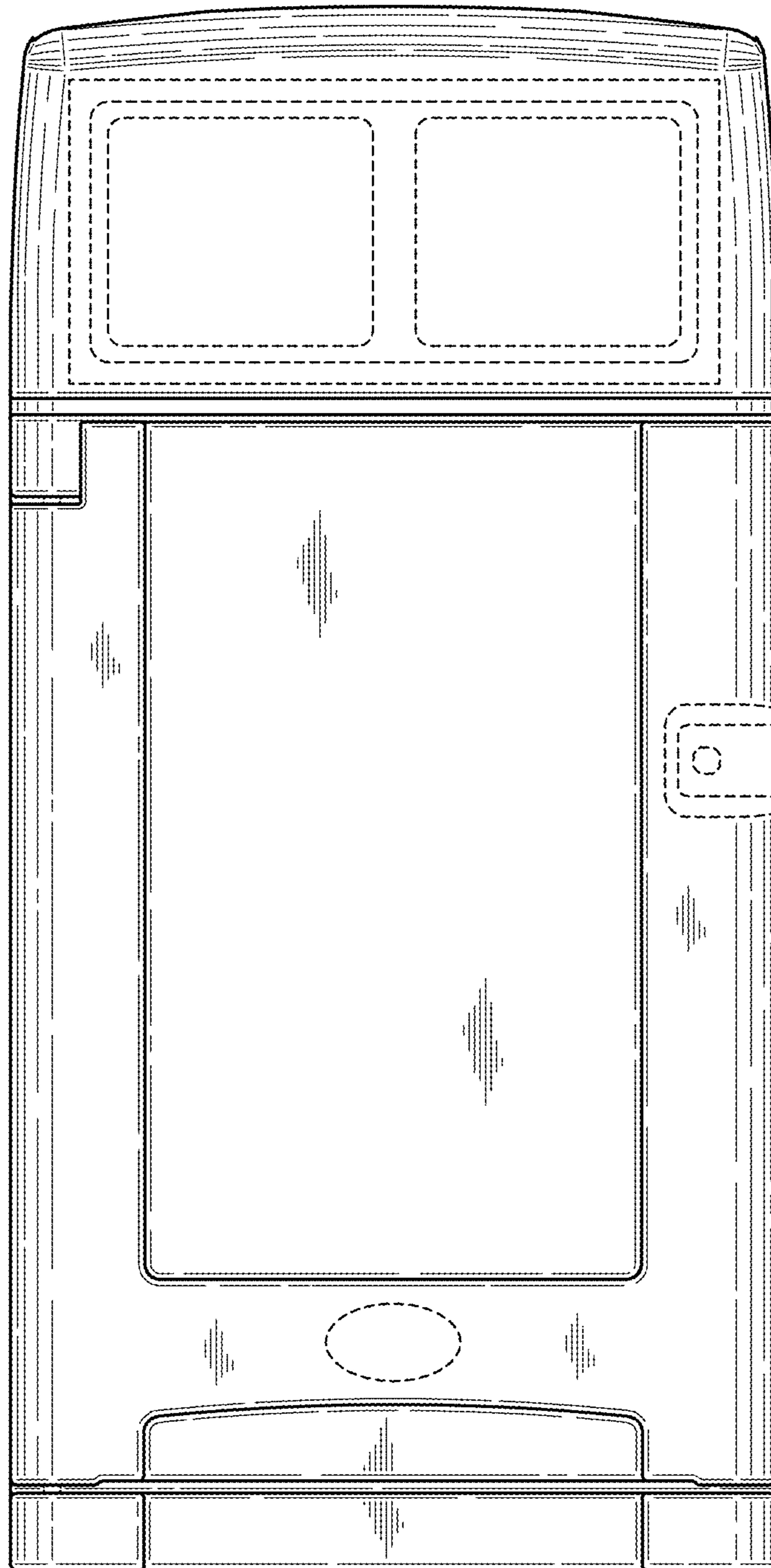
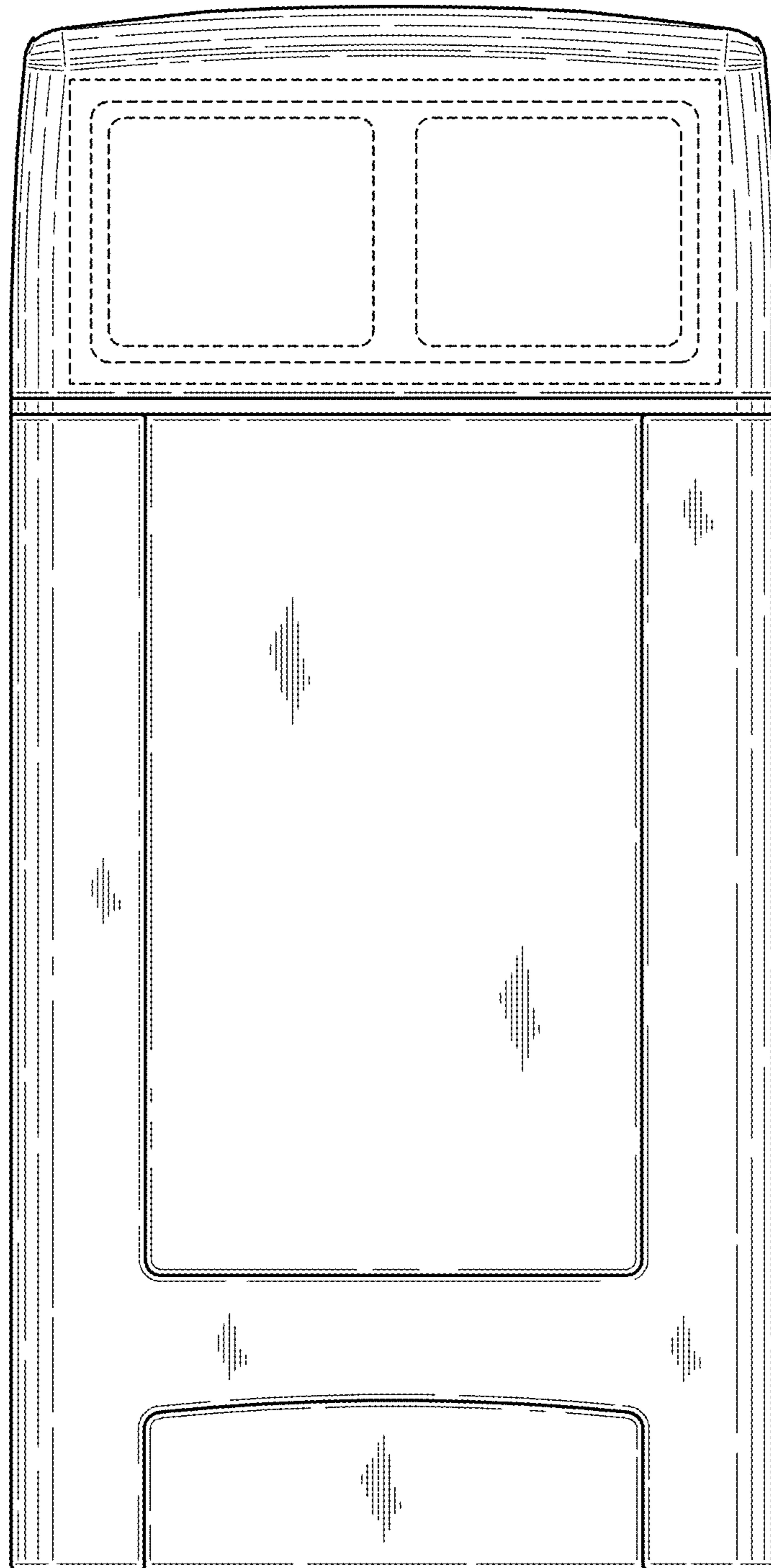


FIG. 2





**FIG. 3**

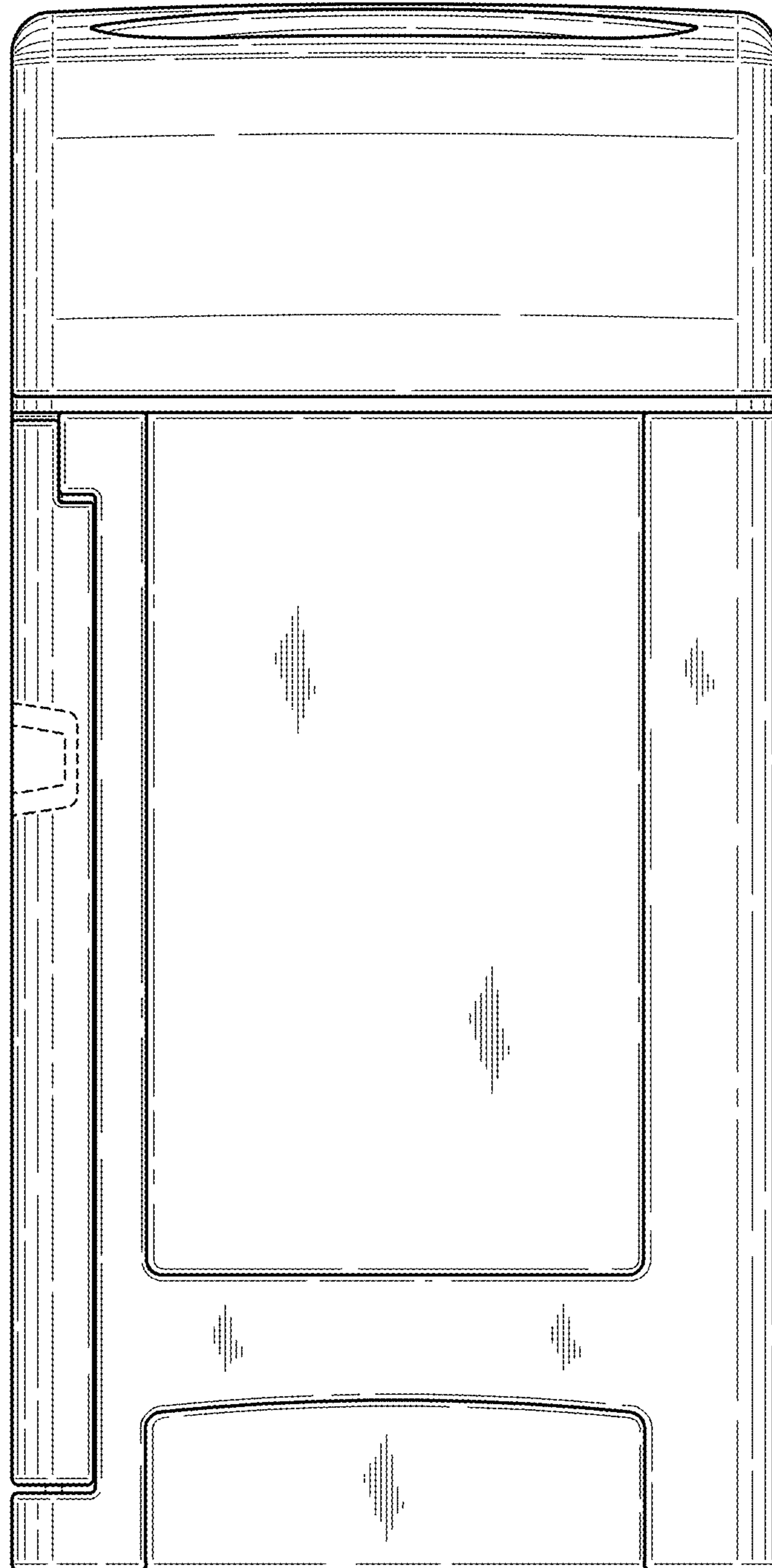
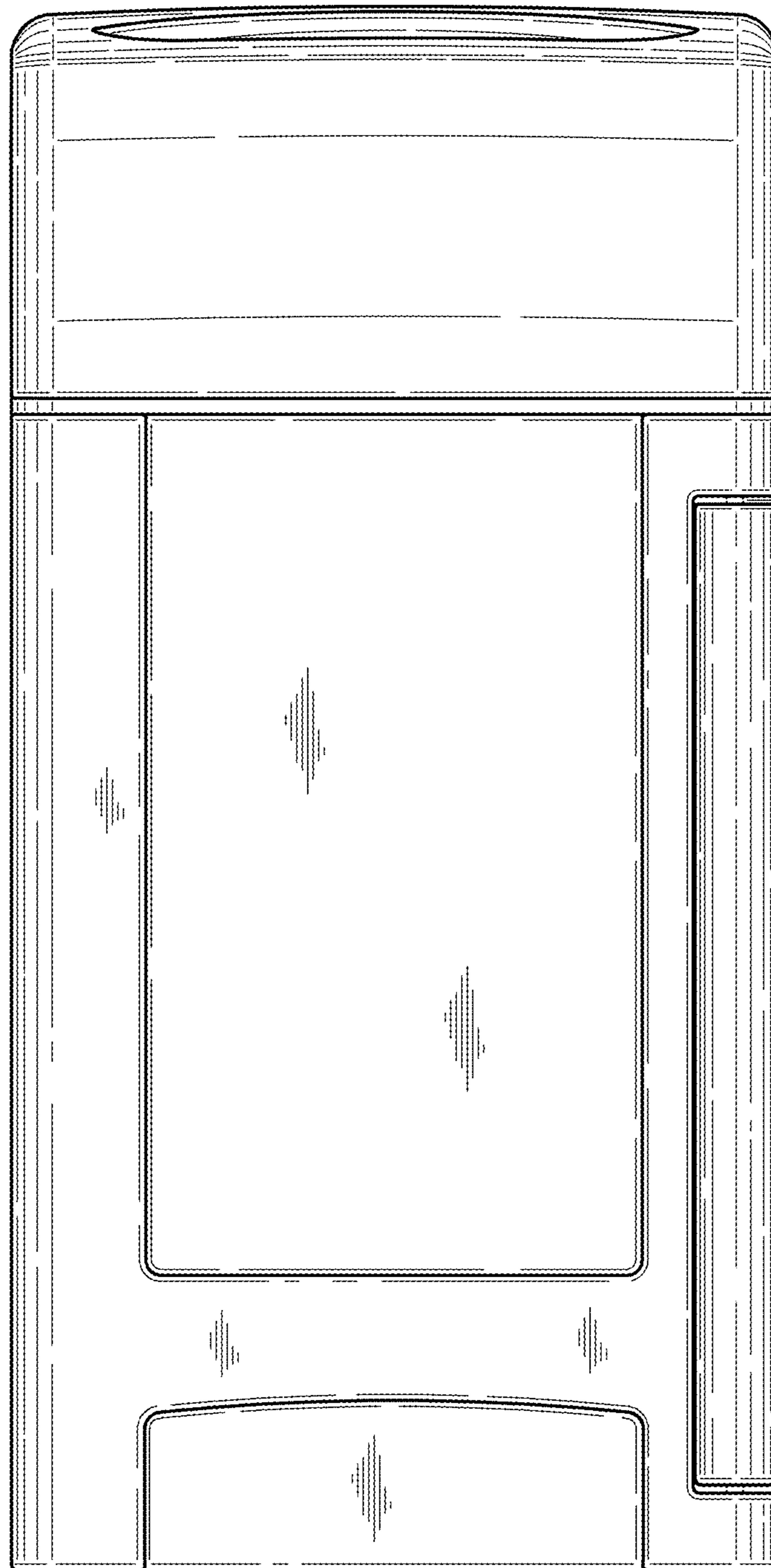
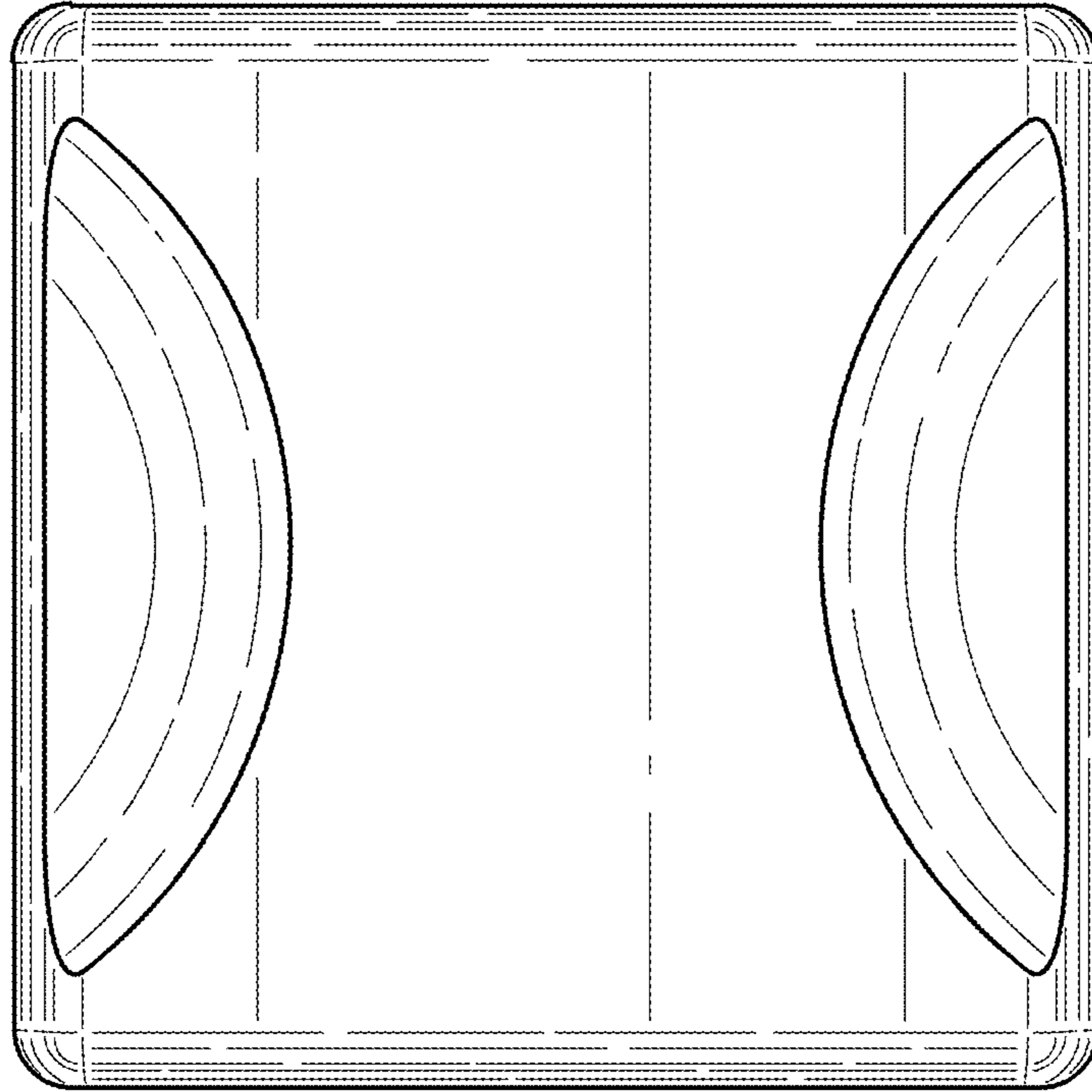


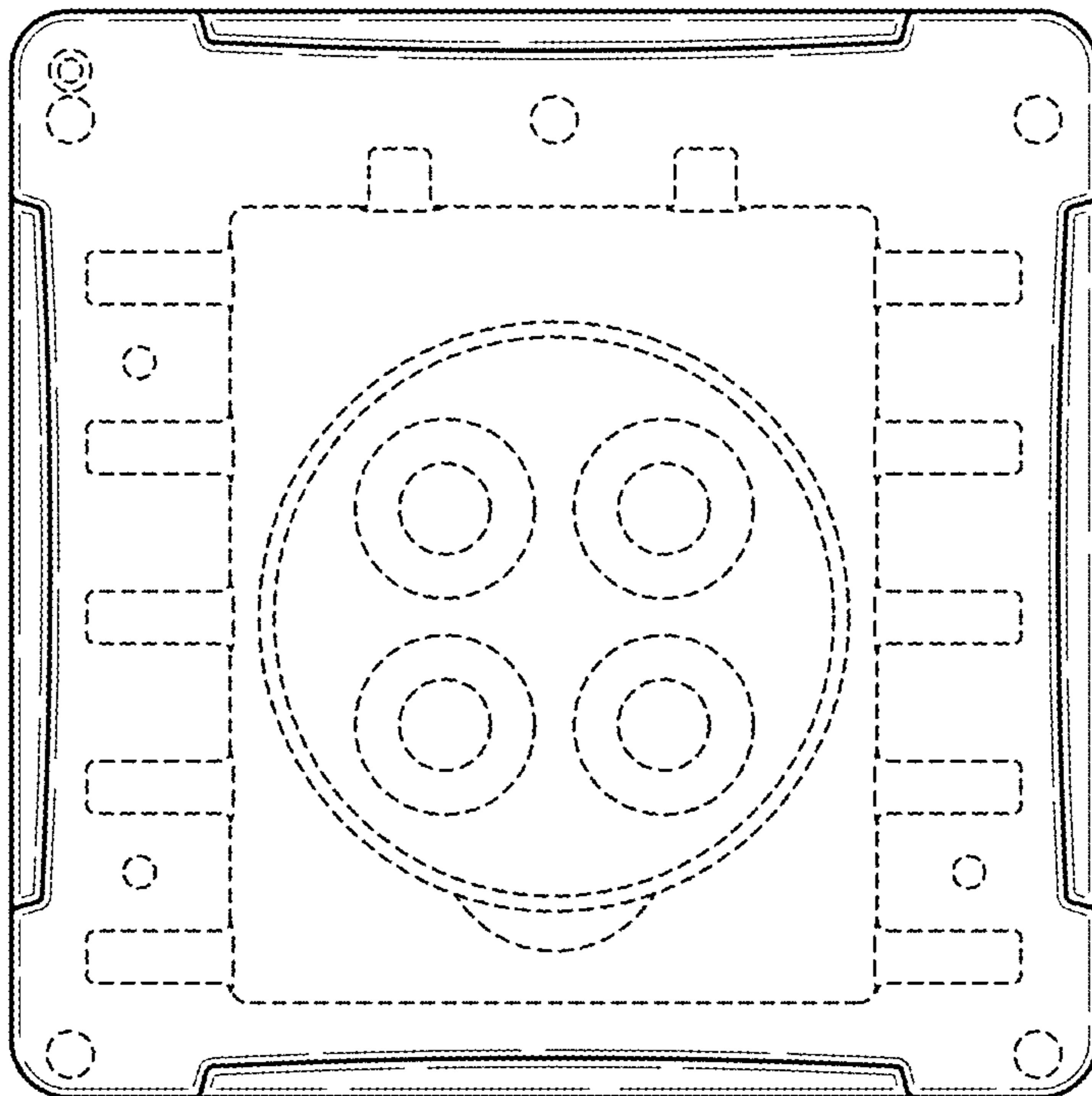
FIG. 4



**FIG. 5**



**FIG. 6**



**FIG. 7**