



US00D958482S

(12) **United States Design Patent**
Bae et al.

(10) **Patent No.:** **US D958,482 S**
(45) **Date of Patent:** **** Jul. 19, 2022**

(54) **HANGER FOR IRONING BOARD**

- (71) Applicant: **LG ELECTRONICS INC.**, Seoul (KR)
- (72) Inventors: **Jaeil Bae**, Seoul (KR); **Hoil Jeon**, Seoul (KR); **Youngsoo Ha**, Seoul (KR); **Kyungah Lee**, Seoul (KR); **Kyutae Park**, Seoul (KR)
- (73) Assignee: **LG ELECTRONICS INC.**, Seoul (KR)
- (**) Term: **15 Years**
- (21) Appl. No.: **29/752,815**
- (22) Filed: **Sep. 29, 2020**

(30) **Foreign Application Priority Data**

- Apr. 17, 2020 (KR) 30-2020-0017187
- (51) **LOC (13) Cl.** **07-05**
- (52) **U.S. Cl.**
USPC **D32/66**
- (58) **Field of Classification Search**
USPC D32/9, 25, 35, 60, 66; D21/526;
D6/681, 691.6

(Continued)

(56) **References Cited**

U.S. PATENT DOCUMENTS

- D57,705 S * 4/1921 Mills D6/681
- D73,230 S * 8/1927 Kehoe D6/681

(Continued)

FOREIGN PATENT DOCUMENTS

- CN 305227819 * 6/2019
- CN 305603535 * 2/2020

(Continued)

OTHER PUBLICATIONS

Steam and Go Professional Garment Steamer, announced in YouTube on Feb. 15, 2019 [online], [site visited Nov. 2, 2021], Available from the internet URL: <https://www.youtube.com/watch?v=ocslrTfOWX4> (Year: 2019).*

(Continued)

Primary Examiner — Amy C Wierenga
Assistant Examiner — Jennylou M Binas

(74) *Attorney, Agent, or Firm* — Birch, Stewart, Kolasch & Birch, LLP

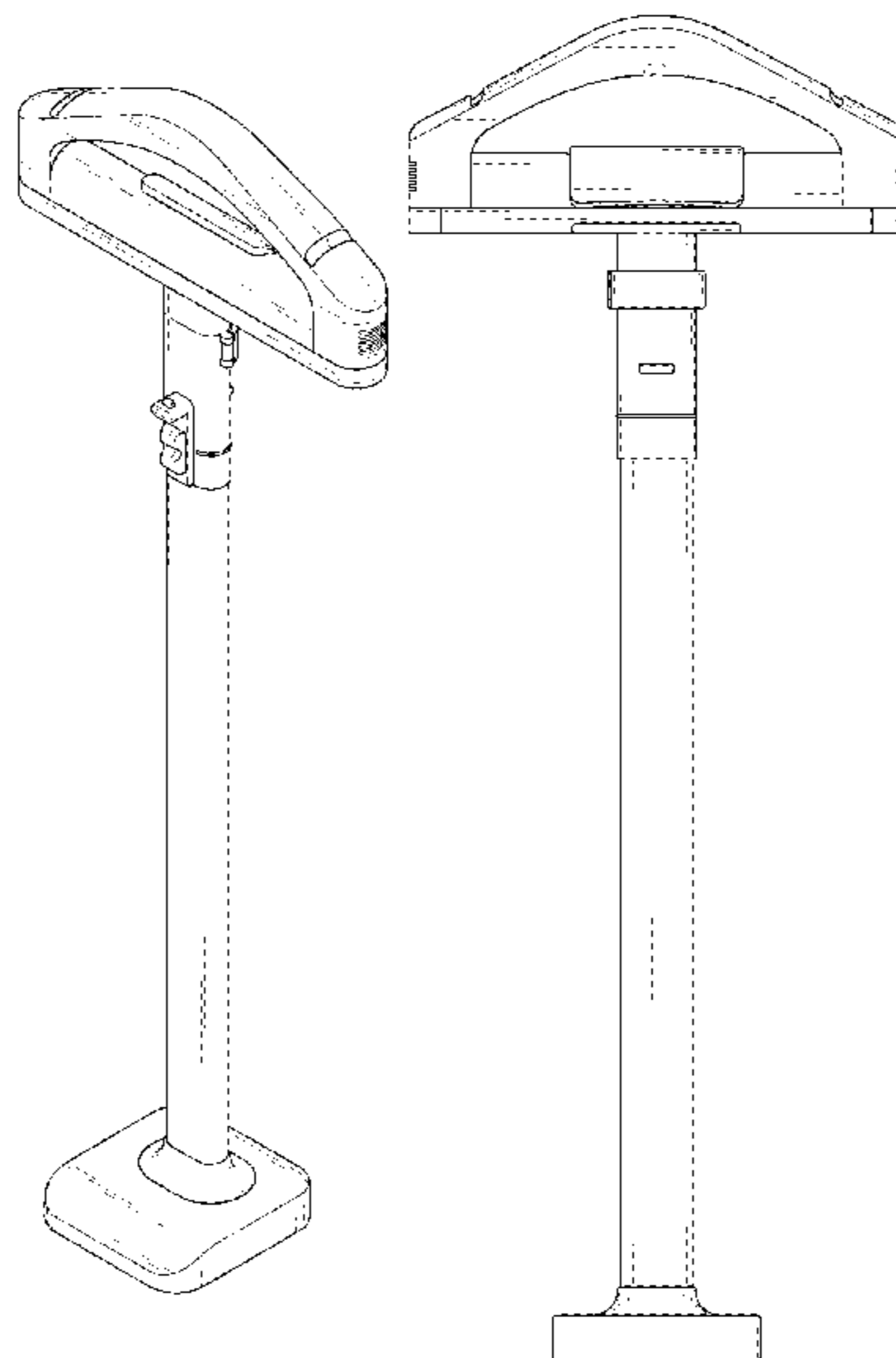
(57) **CLAIM**

We claim the ornamental design for a hanger for ironing board, as shown and described.

DESCRIPTION

FIG. 1 is a perspective view of a hanger for ironing board showing the new design;
 FIG. 2 is a front elevation view thereof;
 FIG. 3 is a rear elevation view thereof;
 FIG. 4 is a left-side elevation view thereof;
 FIG. 5 is a right-side elevation view thereof;
 FIG. 6 is a top plan view thereof;
 FIG. 7 is a bottom plan view thereof;
 FIG. 8 is another perspective view of the hanger for ironing board showing an alternate configuration with the steam pad unfolded;
 FIG. 9 is another front elevation view of the hanger for ironing board shown in a state of use; and,
 FIG. 10 is another perspective view of the hanger for ironing board shown in a state of use.
 The broken lines shown in the drawings depict portions of the hanger for ironing board that form no part of the claimed design. The broken line showing of the ironing board and clothing in FIGS. 8, 9 and 10 is for the purpose of illustrating environment and forms no part of the claimed design.

1 Claim, 10 Drawing Sheets



(58) **Field of Classification Search**

CPC A47B 39/06; D06F 81/00; D06F 81/003;
 D06F 81/006; D06F 81/02; D06F 81/04;
 D06F 81/06; D06F 81/08; D06F 81/12;
 D06F 83/00; Y10S 38/02; Y10S 38/03;
 Y10T 292/305

See application file for complete search history.

(56) **References Cited**

U.S. PATENT DOCUMENTS

D73,876	S	*	11/1927	Sobel	D6/681
D78,823	S	*	6/1929	Konikoff et al.	D6/681
2,854,148	A	*	9/1958	Mattos	D06F 81/006 108/28
D281,029	S	*	10/1985	Marrs	D32/66
D561,958	S	*	2/2008	Hahn	D32/17
D586,130	S	*	2/2009	Howard	D6/318
D607,620	S	*	1/2010	Massip	D32/17
D625,528	S	*	10/2010	Sprague	D6/681
D707,000	S	*	6/2014	Massip	D32/17
D770,104	S	*	10/2016	Koehler	D32/17
D790,144	S	*	6/2017	Kelly	D32/58
D841,265	S	*	2/2019	Desagre	D32/17
D855,268	S	*	7/2019	Desagre	D32/17
D866,100	S	*	11/2019	Tsai	D32/8
D884,369	S	*	5/2020	Yoon	D6/326
D940,124	S	*	1/2022	Bae	D14/253
D942,190	S	*	2/2022	Li	D6/681
11,268,235	B2	*	3/2022	Lauchet	D06F 73/00

FOREIGN PATENT DOCUMENTS

CN	305645657	*	3/2020
CN	305973714	*	8/2020
CN	306065883	*	9/2020

OTHER PUBLICATIONS

Pure Enrichment® PureSteam™ XL Standing Steamer with Garment Hanger, available in Amazon.ca, date first available Oct. 1, 2015 [online], [site visited Nov. 2, 2021], Available from the internet URL: https://www.amazon.ca/PureSteam-XL-High-Powered-Standing-Steamer/dp/B0161N956Y/ref=sr_1_1? (Year: 2015).*

Testing the most popular garment steamers on the market, announced in YouTube on Mar. 26, 2019 [online], [site visited Nov. 2, 2021], Available from the internet URL: <https://www.youtube.com/watch?v=3KiuDt48EWw> (Year: 2019).*

The best garment steamer 2021, announced in YouTube on Jun. 2, 2021 [online], [site visited Nov. 2, 2021], Available from the internet URL: <https://www.youtube.com/watch?v=ap-4xs9GTpc> (Year: 2021).*

TICWELL Professional Steamer for Clothes, available in Amazon.com, date first available Jan. 26, 2021 [online], [site visited Nov. 2, 2021], Available from the internet URL: https://www.amazon.com/dp/B08TZMG8RZ/ref=sspa_dk_detail_3? (Year: 2021).*

Rowenta Professional Full Size Garment and Fabric Steamer with Screen, available in Amazon.ca, date first available Aug. 19, 2019 [online], [site visited Nov. 2, 2021], Available from the internet URL: https://www.amazon.ca/Rowenta-Style-Garment-Steamer-White/dp/B07WC7QWWW/ref=sr_1_1? (Year: 2019).*

Top 7 Best Clothes Steamers, announced in YouTube on Jul. 8, 2018 [online], [site visited Nov. 2, 2021], Available from the internet URL: https://www.youtube.com/watch?v=NTXwyc4Cz_0 (Year: 2018).*

* cited by examiner

FIG. 1

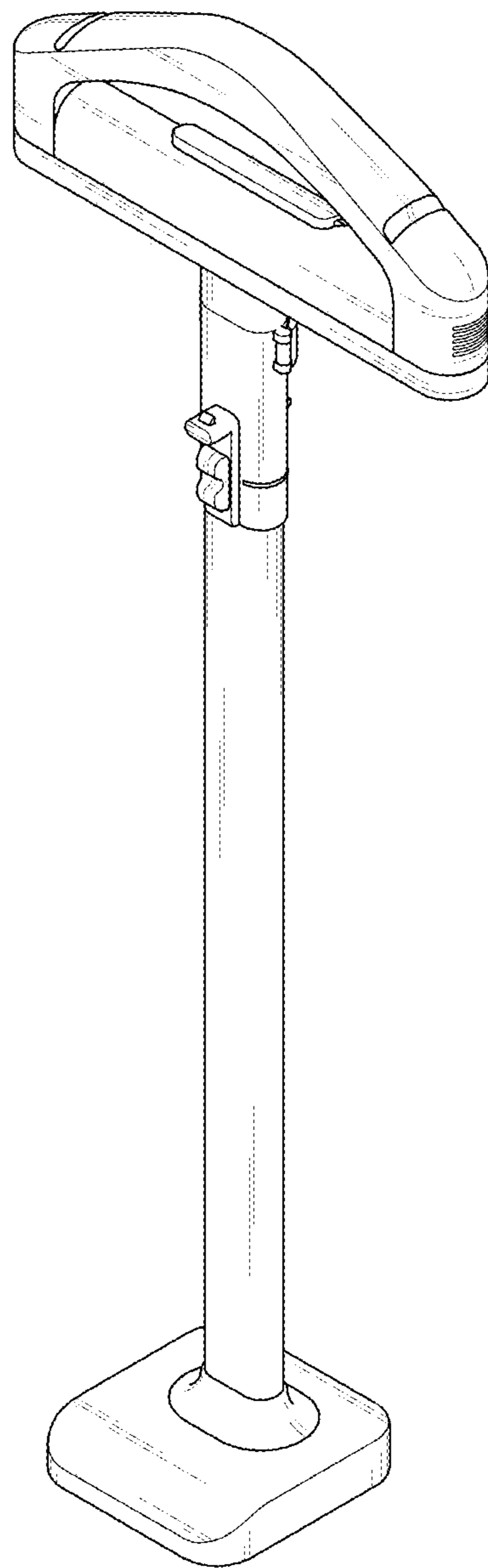


FIG. 2

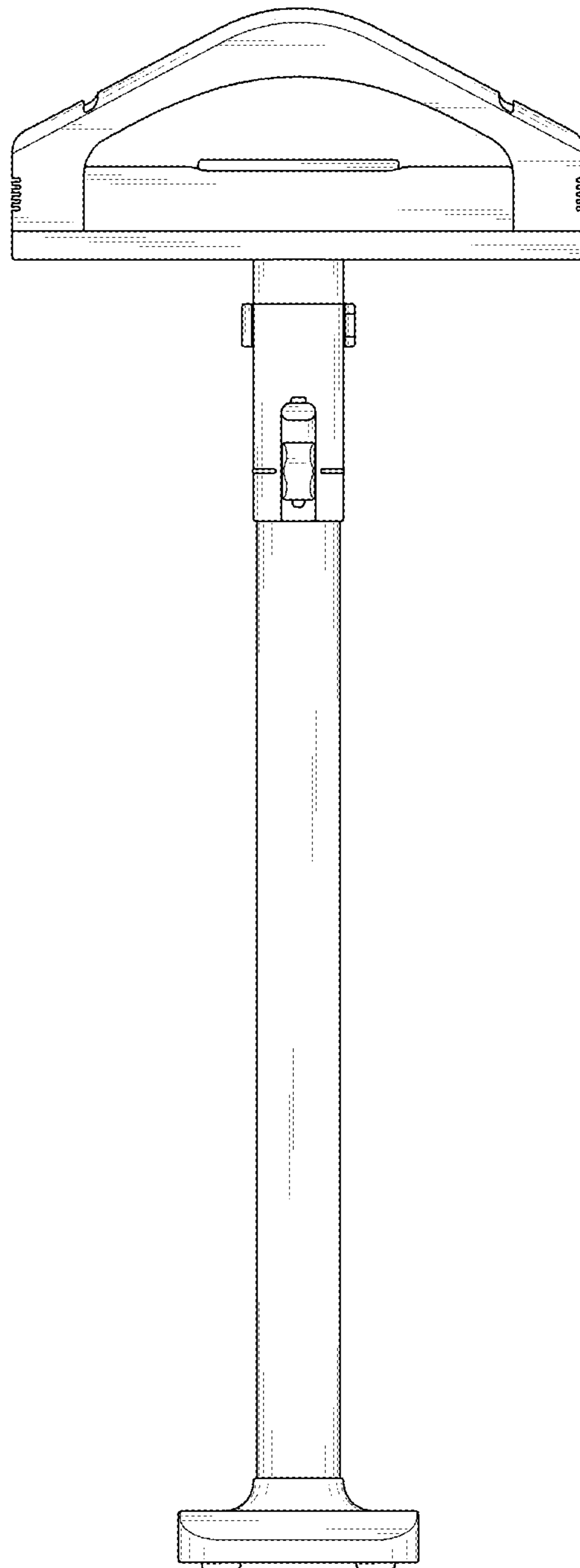


FIG. 3

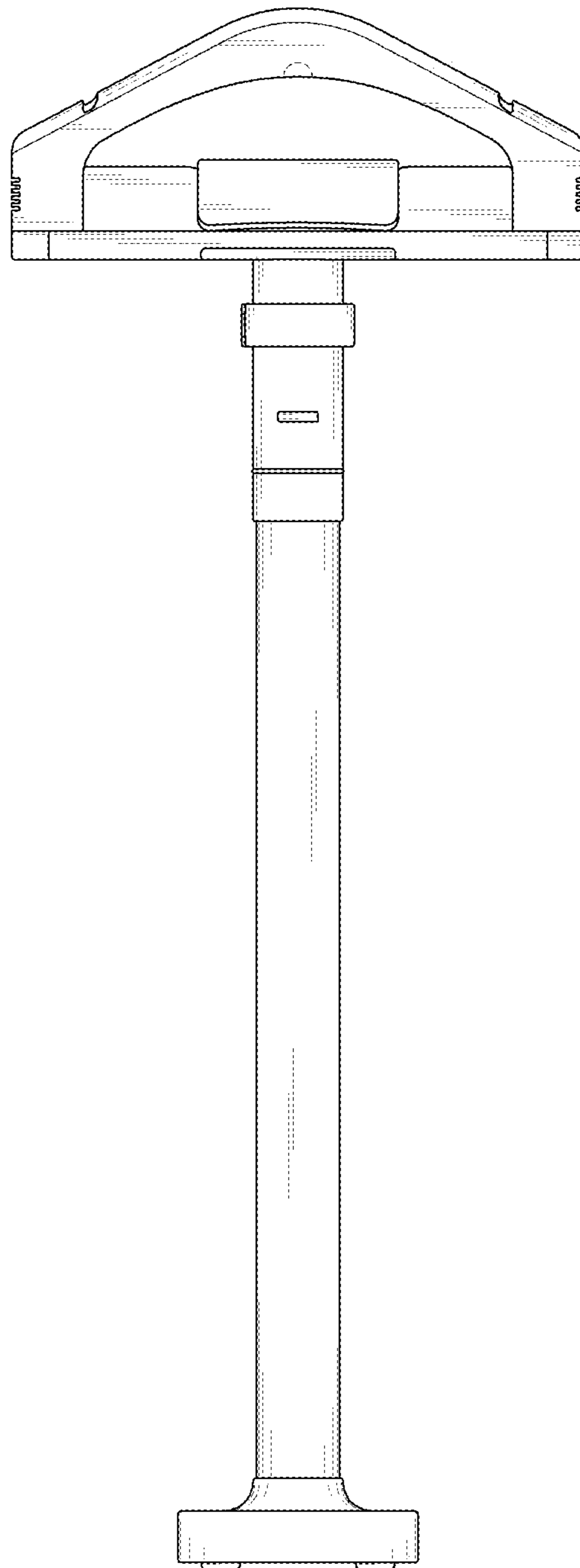


FIG. 4

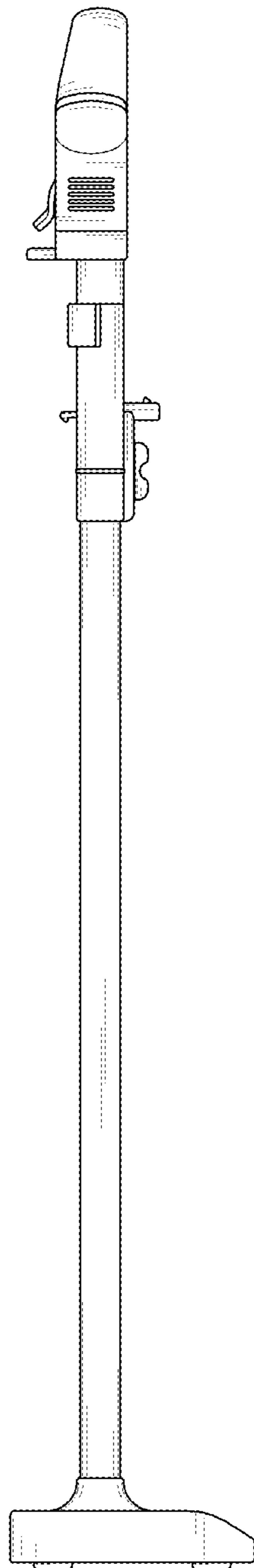


FIG. 5

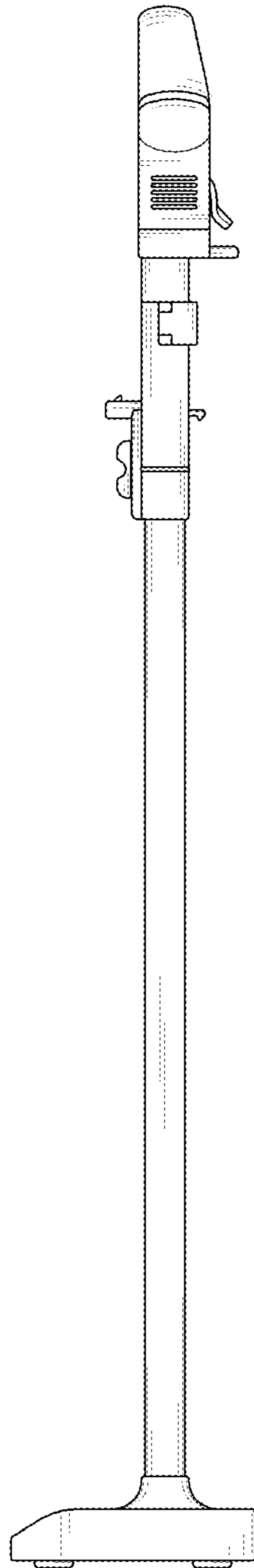


FIG. 6

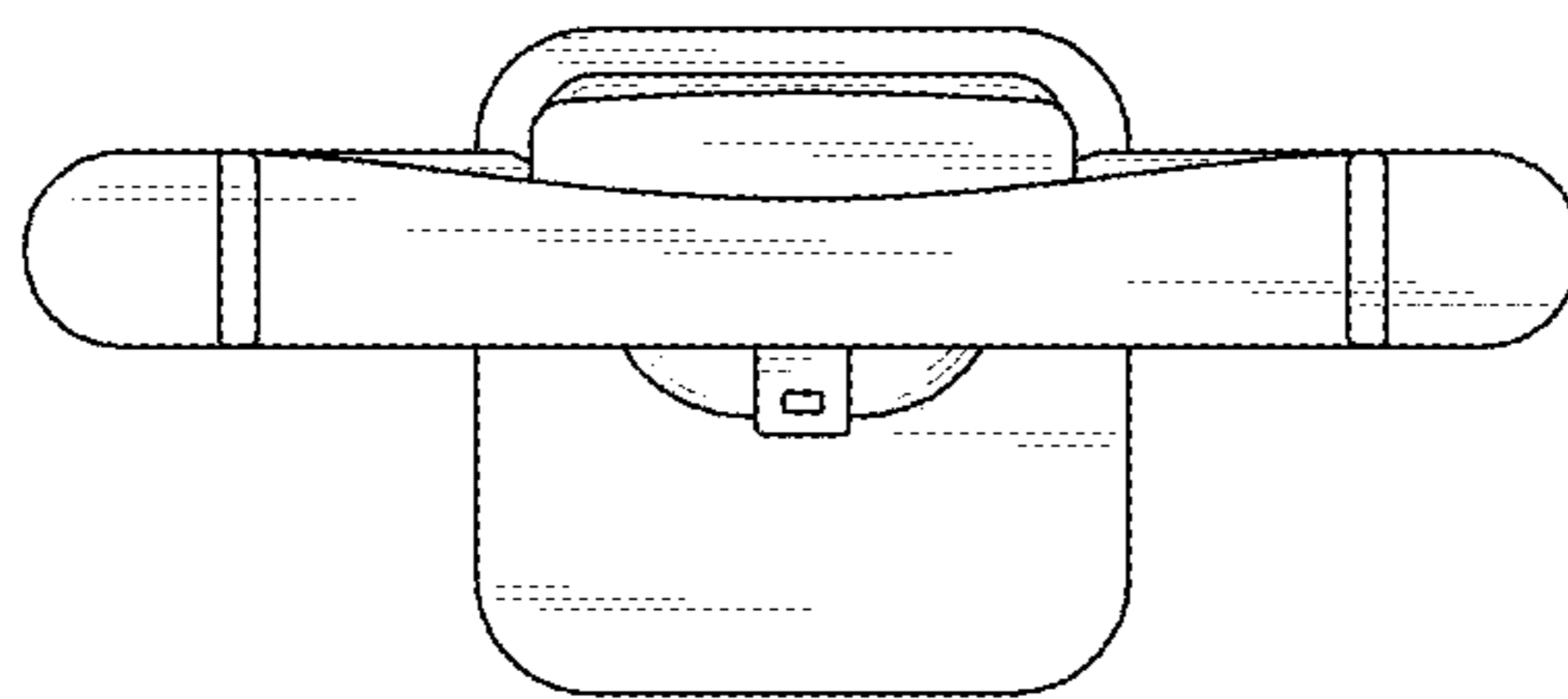


FIG. 7

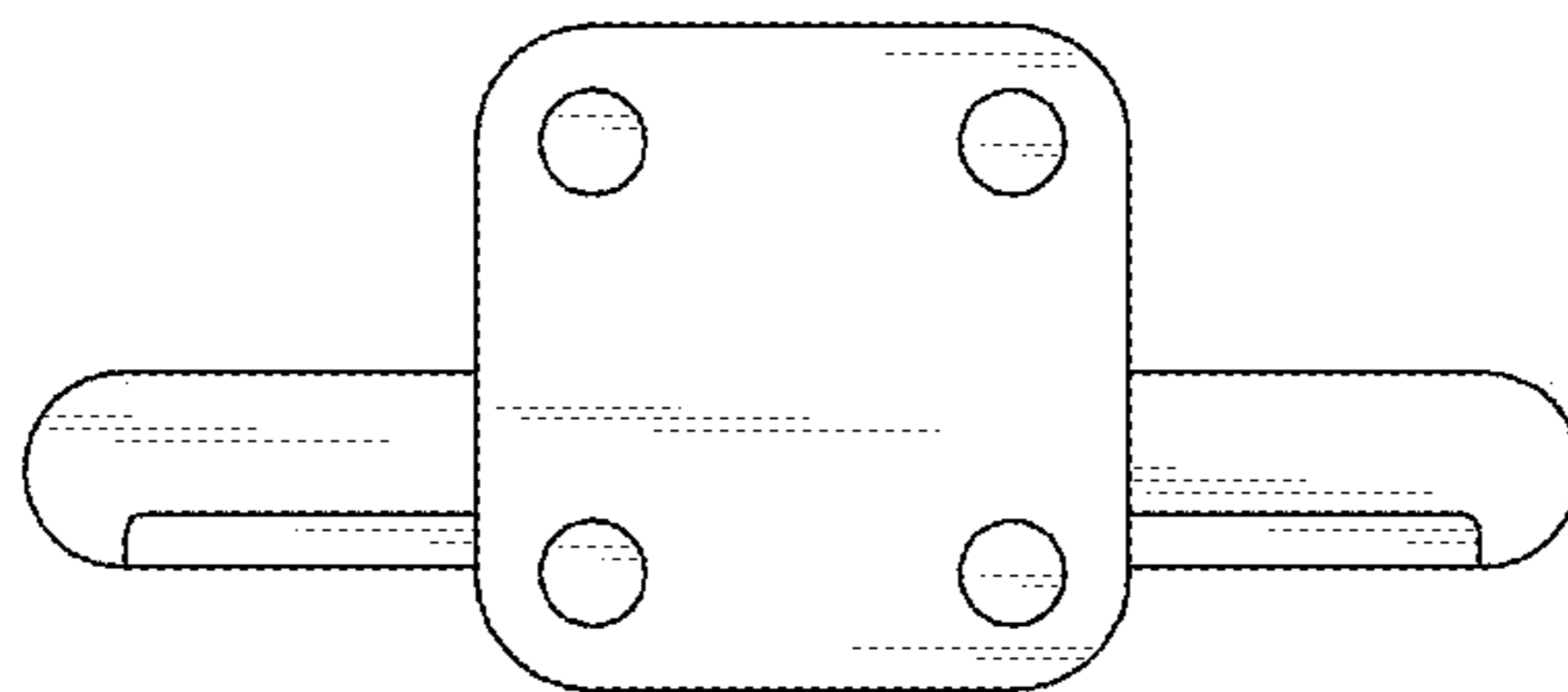


FIG. 8

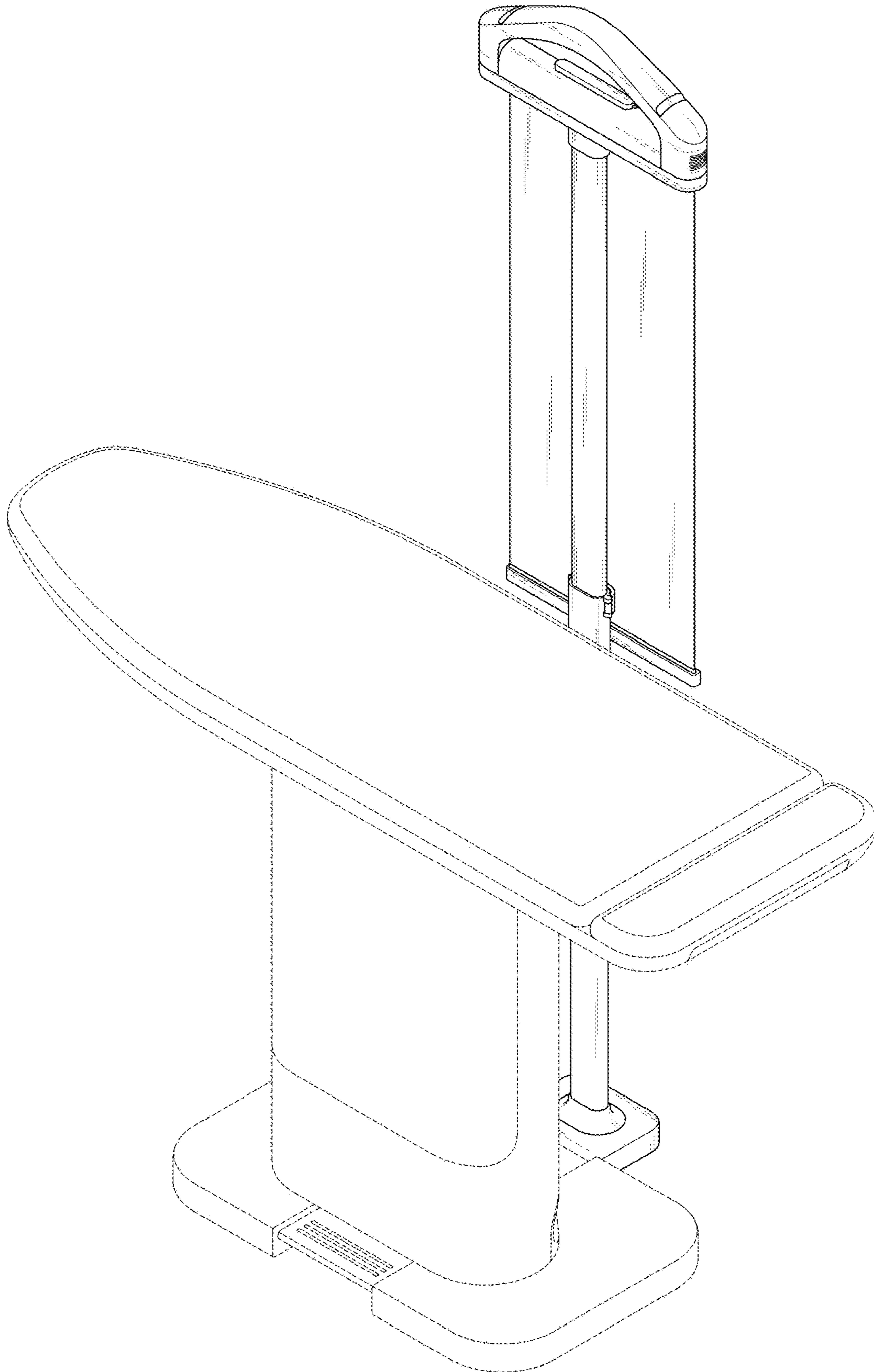


FIG. 9

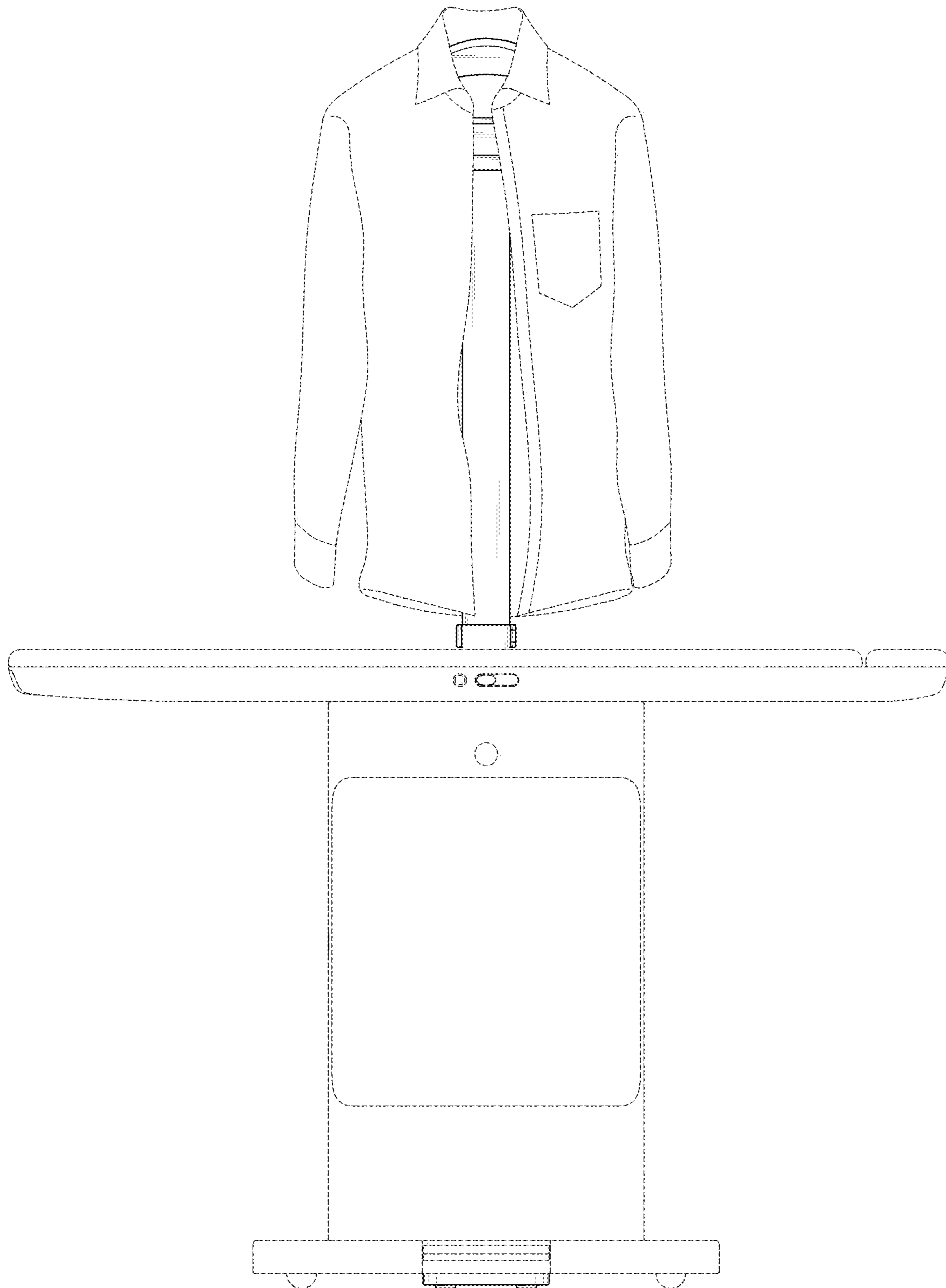


FIG. 10

