



US00D958481S

(12) **United States Design Patent** (10) **Patent No.:** **US D958,481 S**
Bae et al. (45) **Date of Patent:** **** Jul. 19, 2022**

(54) **IRONING BOARD**

- (71) Applicant: **LG ELECTRONICS INC.**, Seoul (KR)
- (72) Inventors: **Jaecil Bae**, Seoul (KR); **Kyutae Park**, Seoul (KR); **Kyungah Lee**, Seoul (KR); **Hoil Jeon**, Seoul (KR); **Youngsoo Ha**, Seoul (KR)
- (73) Assignee: **LG ELECTRONICS INC.**, Seoul (KR)
- (*) Notice: This patent is subject to a terminal disclaimer.
- (**) Term: **15 Years**

(21) Appl. No.: **29/724,705**

(22) Filed: **Feb. 18, 2020**

(30) **Foreign Application Priority Data**

Aug. 19, 2019 (KR) 30-2019-0039551

(51) **LOC (13) Cl.** **07-05**

(52) **U.S. Cl.**
USPC **D32/66**

(58) **Field of Classification Search**
USPC D32/6, 9, 35, 60, 66, 67; D21/526;
D6/559, 663, 668, 691.1, 691.3, 691.4
(Continued)

(56) **References Cited**

U.S. PATENT DOCUMENTS

D19,852 S * 5/1890 Hicks D32/66
D47,601 S * 7/1915 Labadie D3/274
(Continued)

FOREIGN PATENT DOCUMENTS

CN 3490017 * 12/2005
GB 2069748 * 2/1998

(Continued)

OTHER PUBLICATIONS

Homz Durabilt DX1500 Premium Steel Top Ironing Board, date first available Jan. 18, 2016 [online], [site visited Sep. 7, 2021], Available from the internet URL: https://www.amazon.ca/dp/B016CZP1CI/ref=emc_b_5_i (Year: 2016).*

(Continued)

Primary Examiner — Amy C Wierenga

Assistant Examiner — Jennylou M Binas

(74) *Attorney, Agent, or Firm* — Birch, Stewart, Kolasch & Birch, LLP

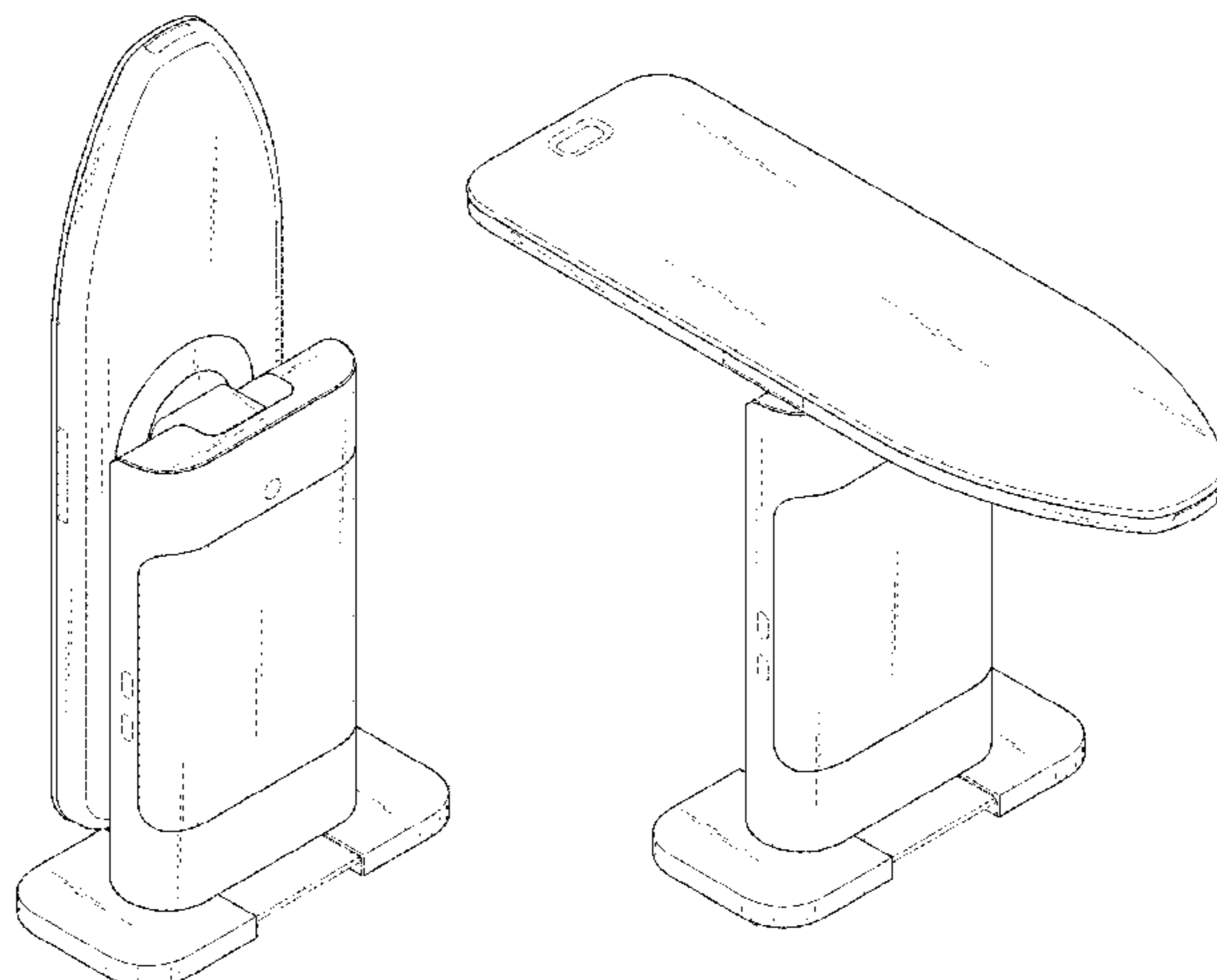
(57) **CLAIM**

We claim the ornamental design for an ironing board, as shown and described.

DESCRIPTION

FIG. 1 is perspective view of an ironing board showing the new design with the lower stand slid outward;
FIG. 2 is a front elevation view thereof;
FIG. 3 is a rear elevation view thereof;
FIG. 4 is a left side elevation view thereof;
FIG. 5 is a right side elevation view thereof;
FIG. 6 is a top plan view thereof;
FIG. 7 is a bottom plan view thereof;
FIG. 8 is a perspective view of the ironing board showing a state of the upper board unfolded;
FIG. 9 is a front elevation view thereof;
FIG. 10 is a rear elevation view thereof;
FIG. 11 is a left side elevation view thereof;
FIG. 12 is a right side elevation view thereof;
FIG. 13 is a top plan view thereof; and,
FIG. 14 is a bottom plan view thereof.
The parts of the ironing board shown by means of broken lines in the drawing figures are not part of the claimed design.

1 Claim, 14 Drawing Sheets



(58) **Field of Classification Search**

CPC A47B 39/06; A47B 46/00; A47B 61/02;
 A47B 63/04; A47B 77/10; A47B 77/16;
 D06F 81/00; D06F 81/003; D06F 81/006;
 D06F 81/02; D06F 81/04; D06F 81/06;
 D06F 81/08; D06F 81/12; D06F 83/00;
 Y10S 38/00; Y10S 38/01; Y10S 38/02;
 Y10S 38/03; Y10T 292/305

See application file for complete search history.

(56) **References Cited**

U.S. PATENT DOCUMENTS

D124,329 S * 12/1940 Parker D32/66
 D142,261 S * 8/1945 Meyerhoefer D32/66
 D159,952 S * 9/1950 Buser D32/66
 2,523,425 A * 9/1950 Gargaglione A47B 77/10
 108/13
 D167,456 S * 8/1952 Glassie et al. D32/66
 D182,902 S * 5/1958 Kempf D32/66
 D183,468 S * 9/1958 Turner D32/66
 D272,008 S * 12/1983 Flory D32/66
 D413,699 S * 9/1999 Evans D32/37
 D426,040 S * 5/2000 Wicky D32/66
 D427,402 S * 6/2000 Kellogg D32/66
 D434,541 S * 11/2000 Black D32/66
 D514,766 S * 2/2006 Manfiotto D32/66
 D520,207 S * 5/2006 Gross D32/66
 D543,671 S * 5/2007 Chu D32/66
 D543,672 S * 5/2007 Chu D32/66
 D546,515 S * 7/2007 Wicky D32/66
 D704,912 S * 5/2014 Gameiro D32/66
 D732,771 S * 6/2015 Chung D32/25
 D858,022 S * 8/2019 Wang D32/66

D936,320 S * 11/2021 Bae D32/66
 D937,524 S * 11/2021 Park D32/66
 D938,123 S * 12/2021 Bae D32/66
 D939,170 S * 12/2021 Park D32/66
 D948,826 S * 4/2022 Bae D32/66
 D948,830 S * 4/2022 Bae D32/66

FOREIGN PATENT DOCUMENTS

KR 300939798.0000 * 1/2018
 KR 301125779.0000 * 9/2021
 SG 2006493G-0001 * 7/2006
 WO D206394-001 * 8/2021
 WO D206452-001 * 8/2021
 WO D206463-001 * 8/2021

OTHER PUBLICATIONS

Kapas Adjustable Garment Steamer, available in freestuff.cafe, announced May 5, 2021 [online], [site visited Sep. 9, 2021], URL: <https://freestuff.cafe/deals/kapas-adjustable-garment-steamer-accessories-for-clothes-build-in-rotatable-ironing-board-21l-water-tank-8-ironing-options-for-different-clothes/> (Year: 2021).*

10 Best Ironing Boards to Buy in 2021, available in www.goodhousekeeping.com, announced May 24, 2021 [online], [site visited Nov. 16, 2020], Internet URL: <https://www.goodhousekeeping.com/home-products/g36343446/best-ironing-board/> (Year: 2021).*

Miele B 3312 FashionMaster Ironing Station, available in Amazon.de, date first available Sep. 30, 2016 [online], [site visited Sep. 13, 2021], Available from the internet URL: https://www.amazon.de/Miele-3312-FashionMaster-Dampfb%C3%BCgelsystem-Wabensohle/dp/B01LIT41EM?ref_=ast_sto_dp (Year: 2016).*

* cited by examiner

FIG. 1

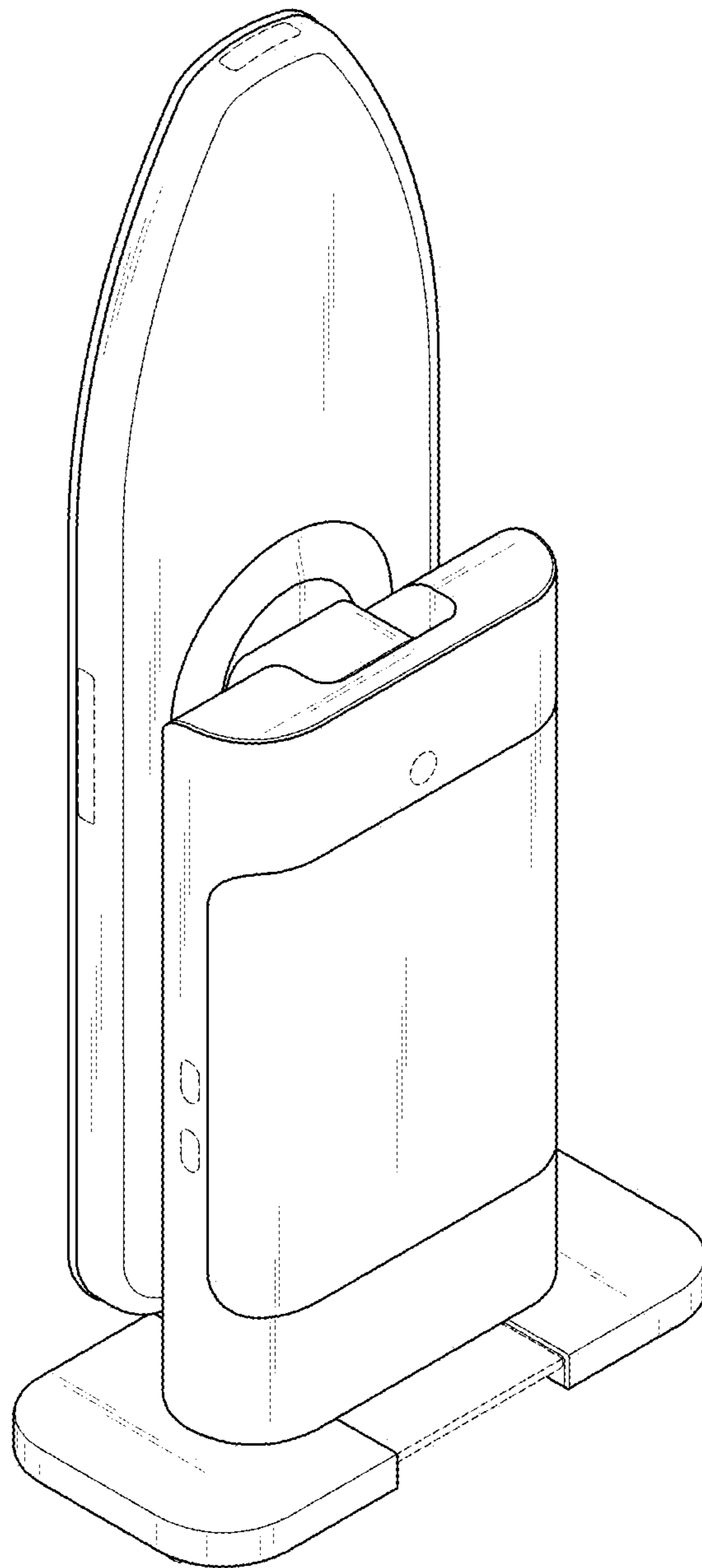


FIG. 2

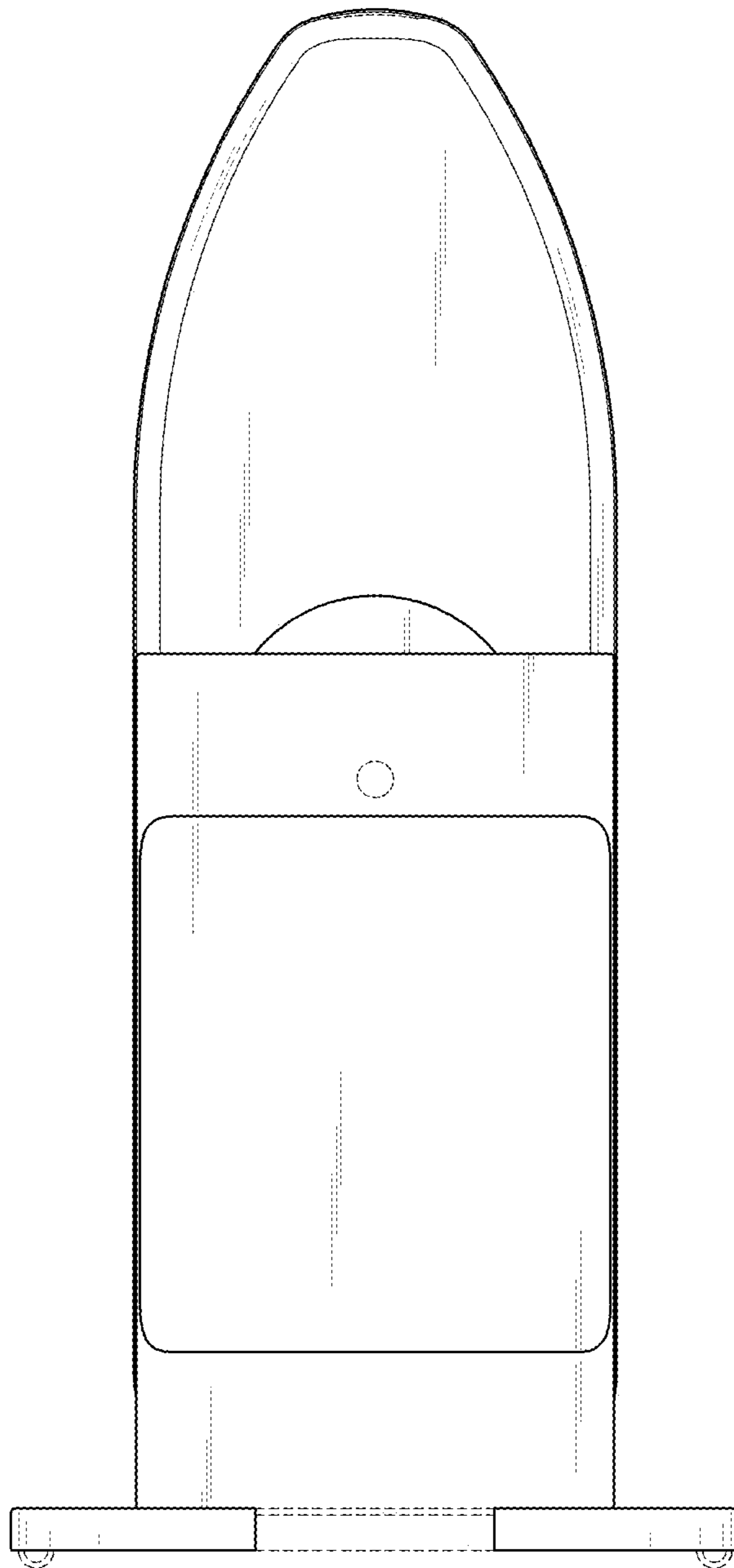


FIG. 3

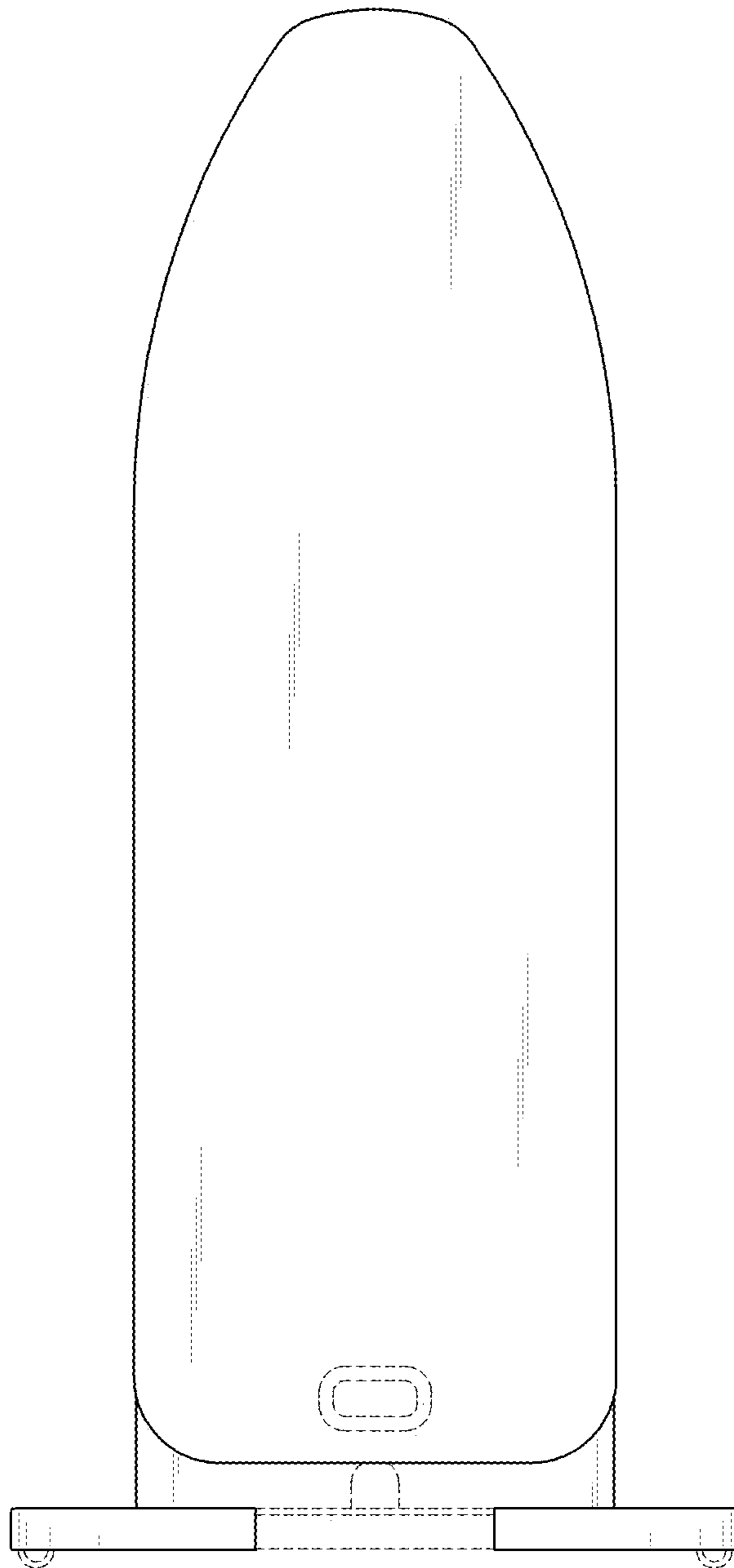


FIG. 4

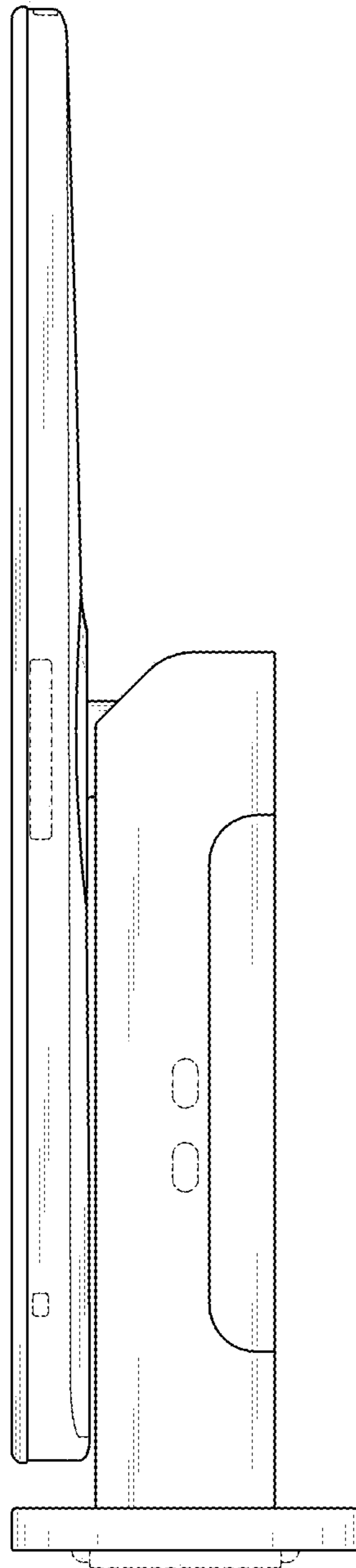


FIG. 5

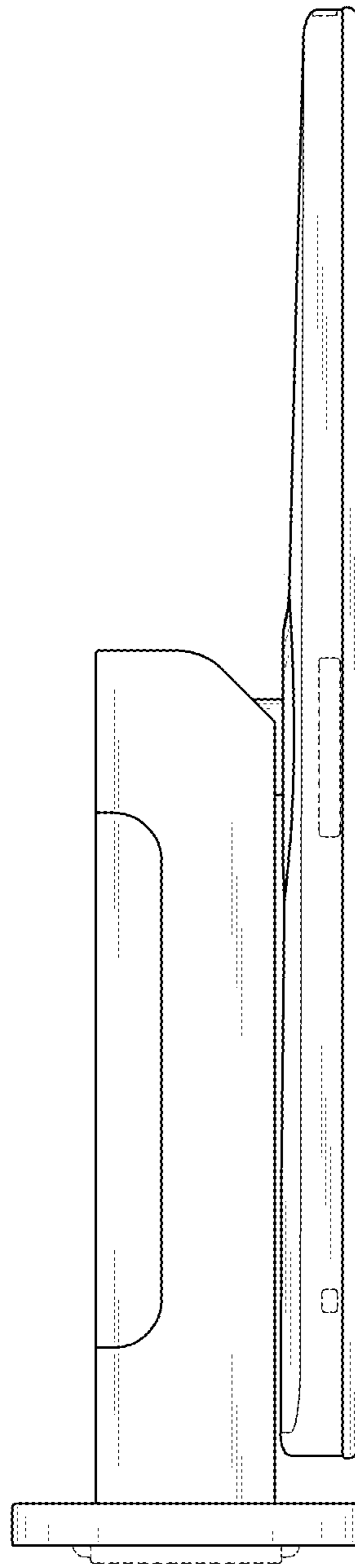


FIG. 6

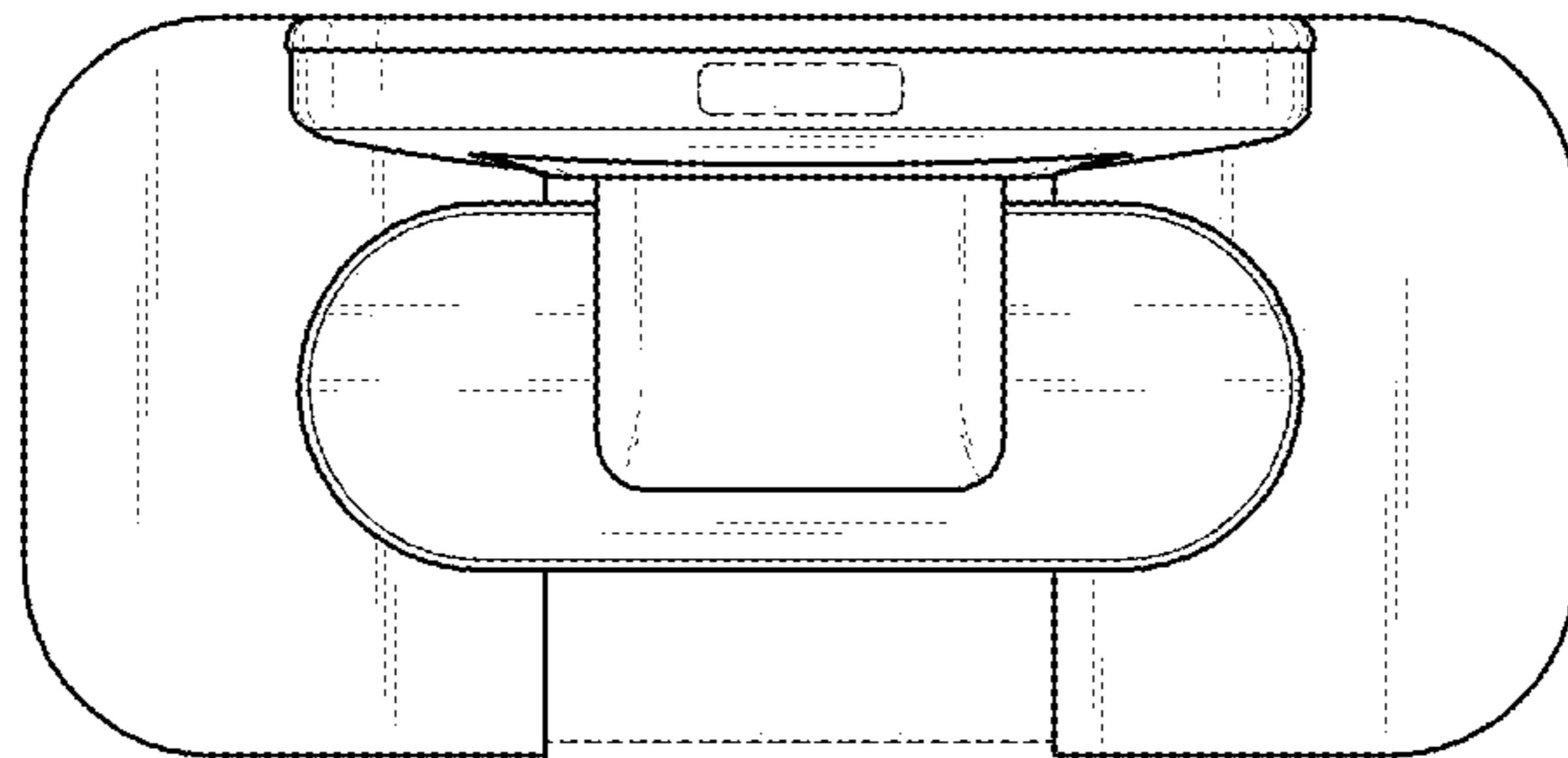


FIG. 7

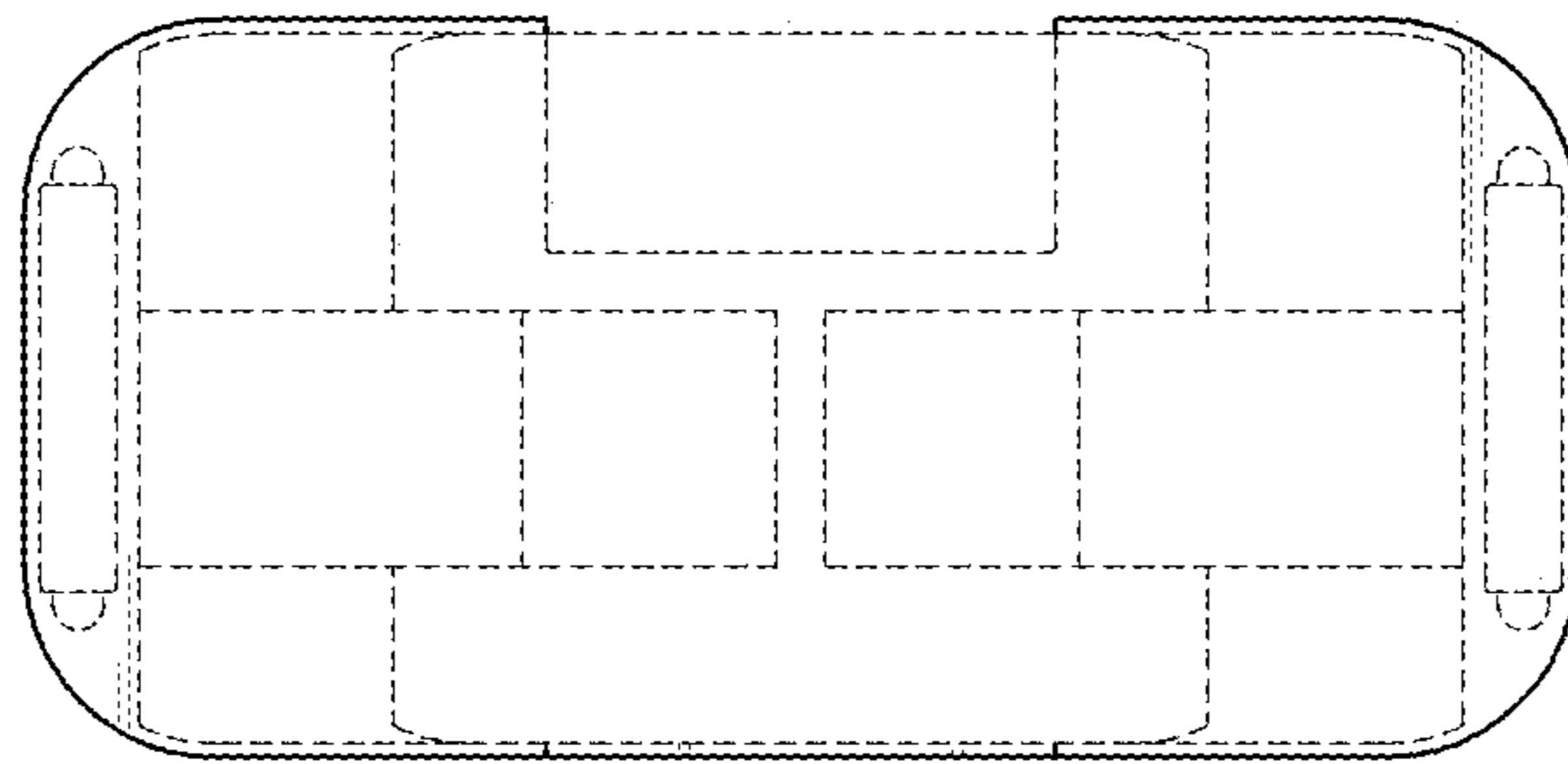


FIG. 8

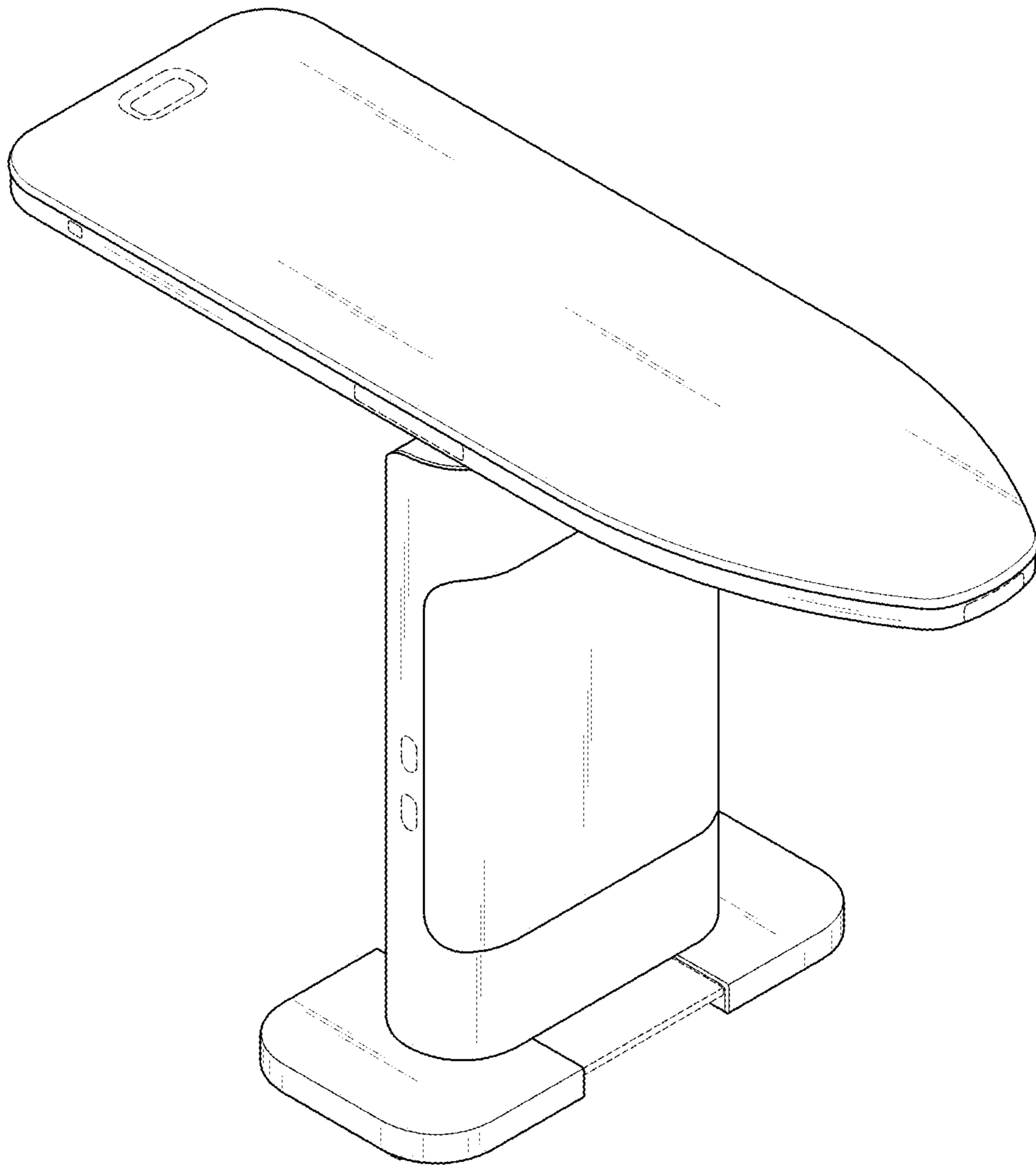


FIG. 9

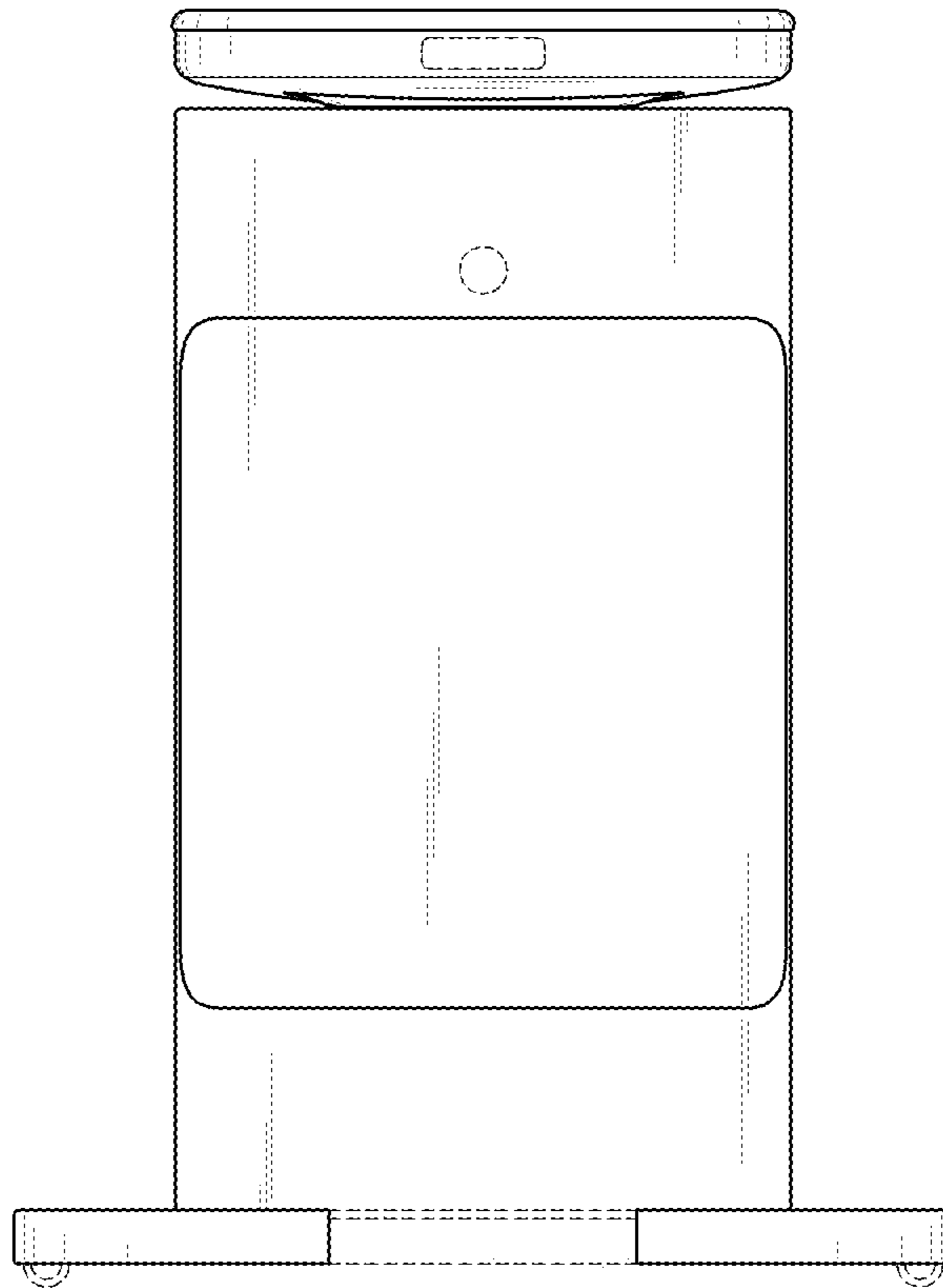


FIG. 10

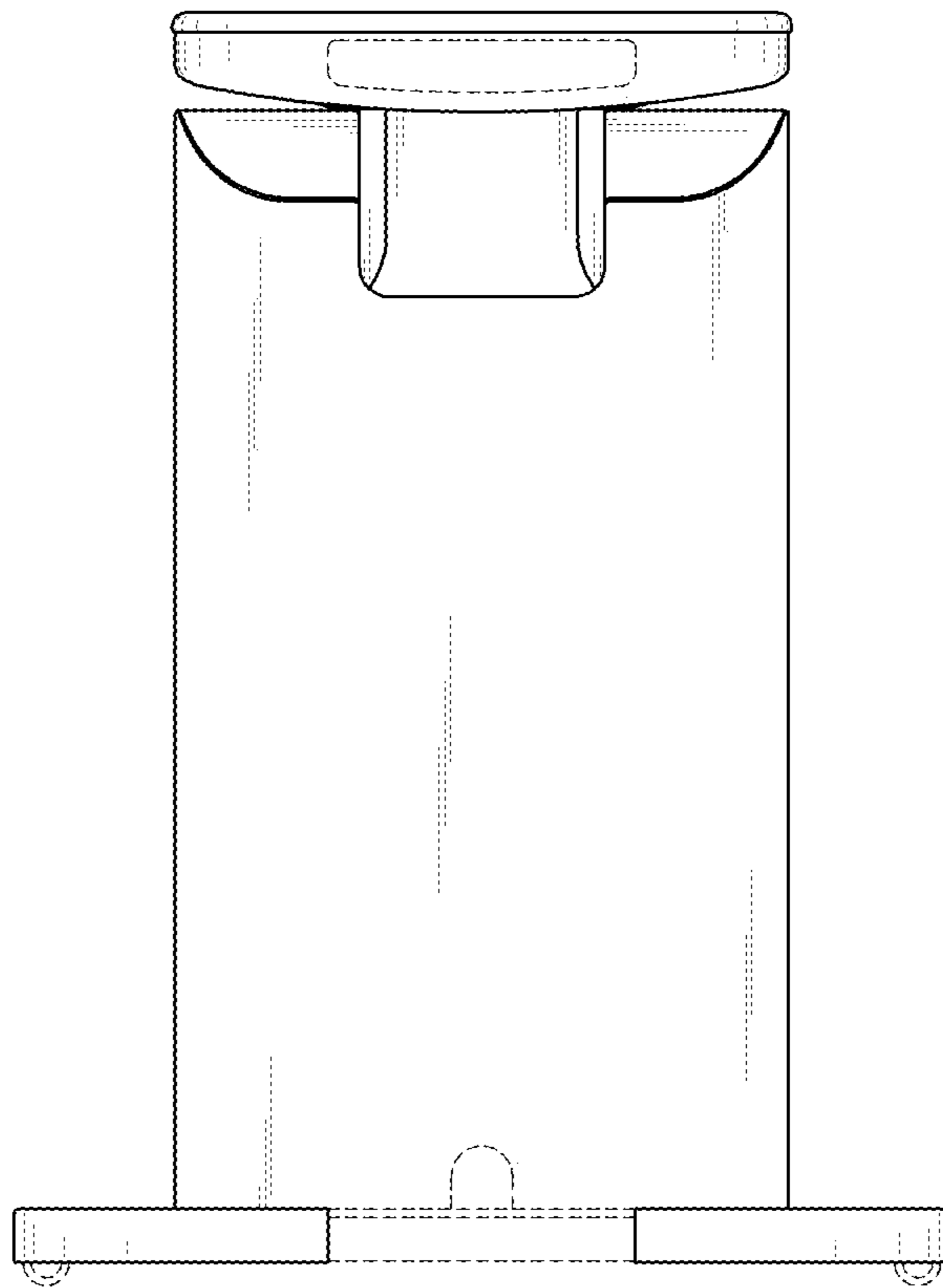


FIG. 11

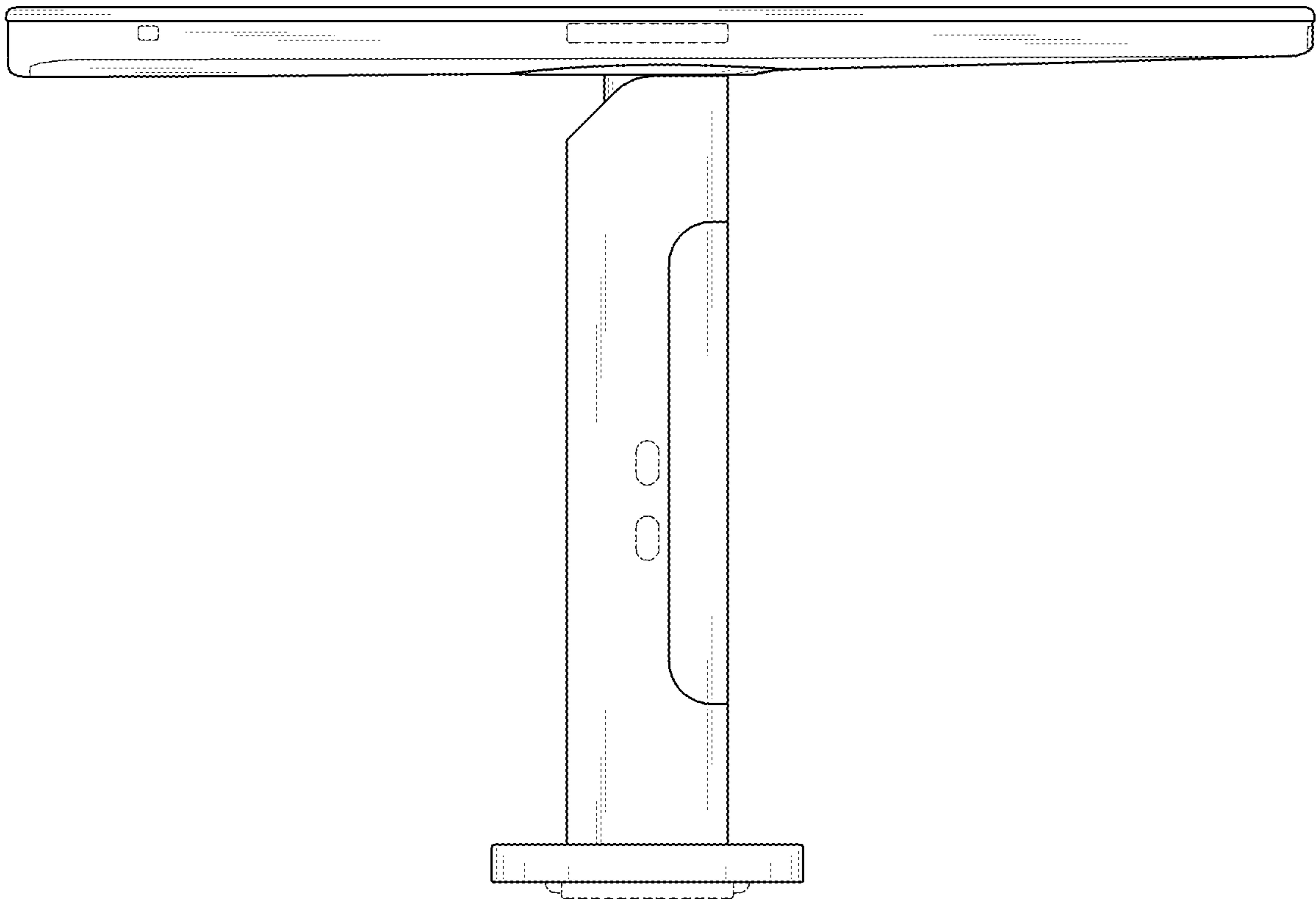


FIG. 12

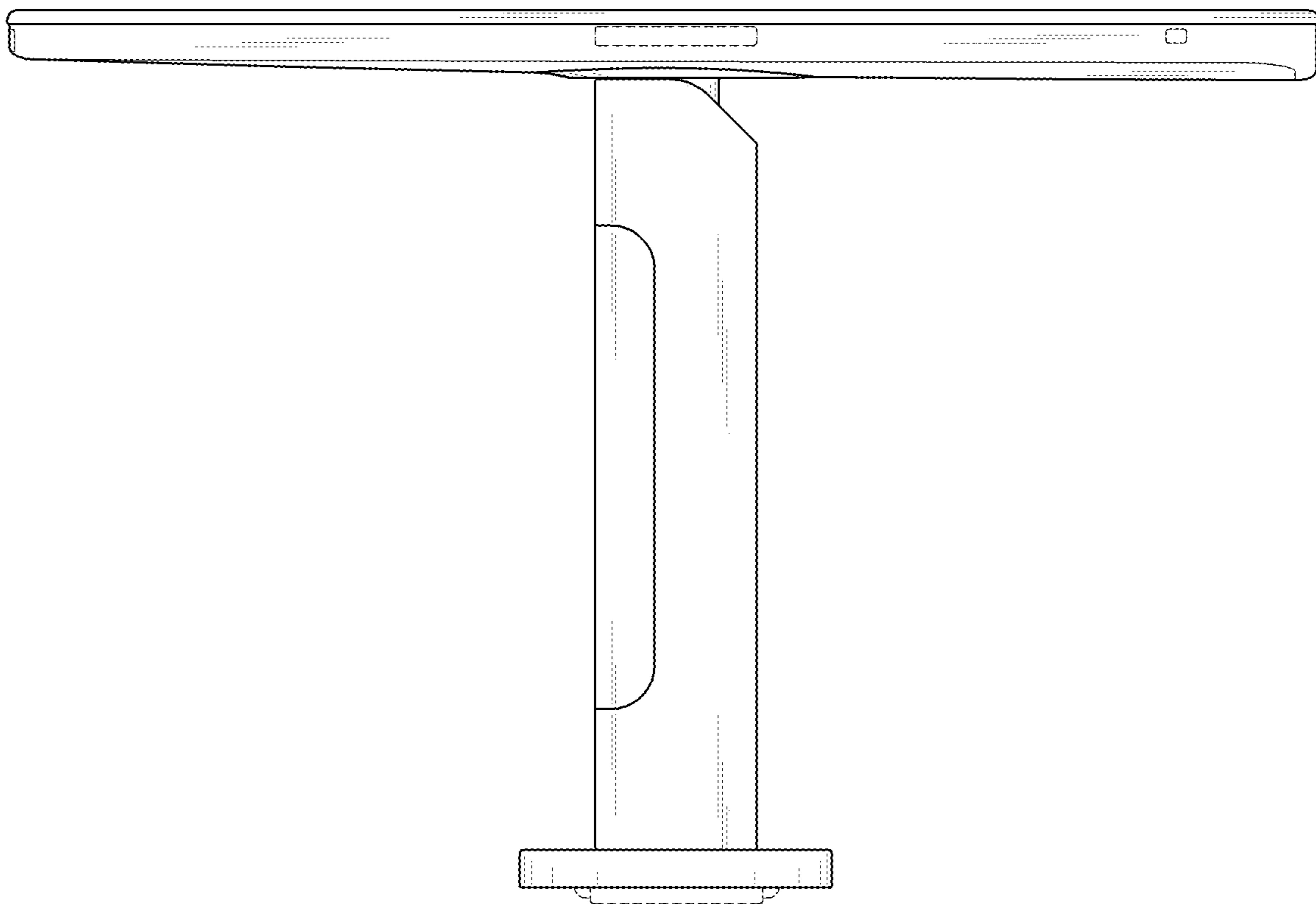


FIG. 13

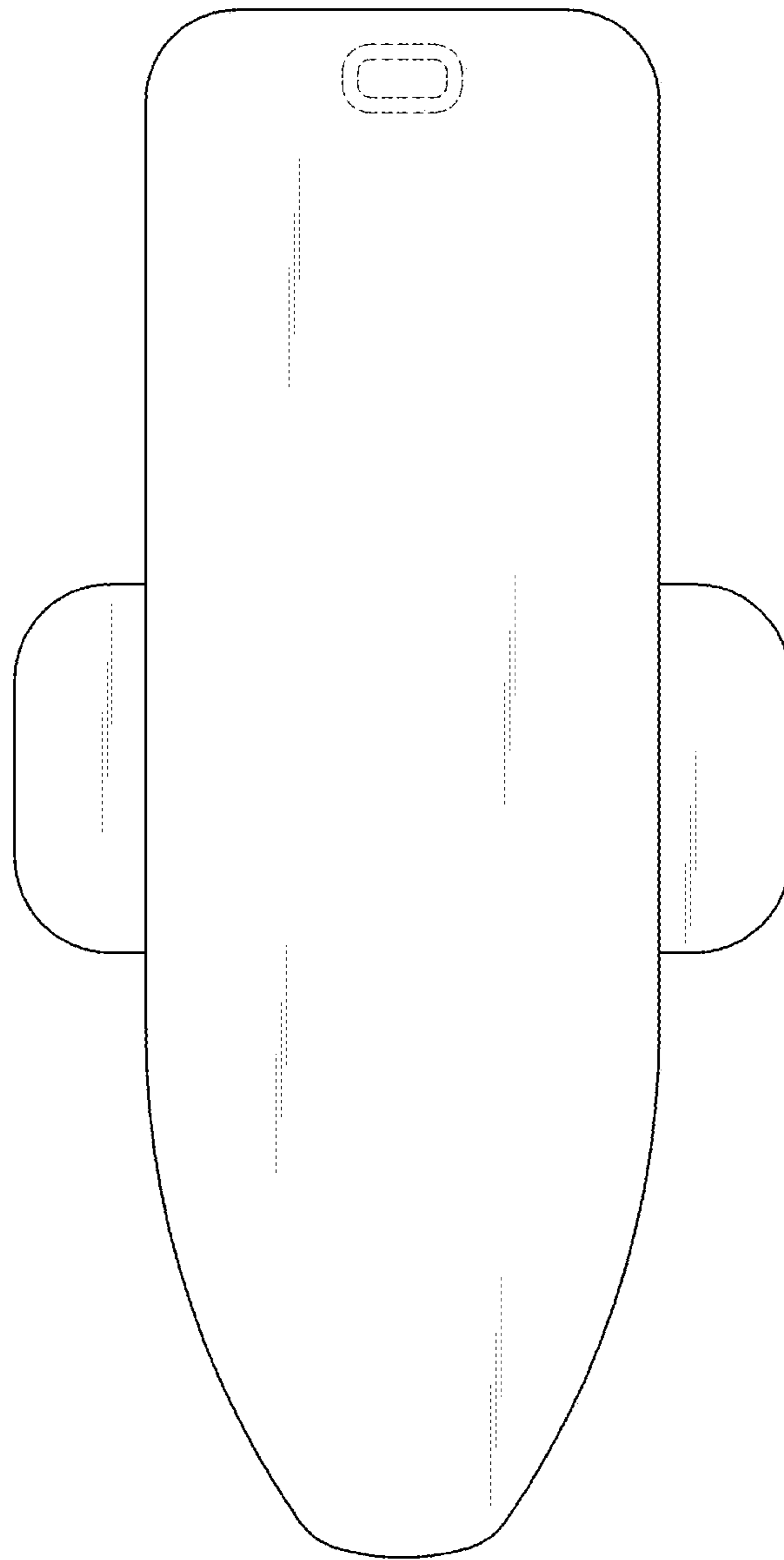


FIG. 14

