



US00D958480S

(12) **United States Design Patent**
Wright et al.

(10) **Patent No.:** **US D958,480 S**

(45) **Date of Patent:** **** *Jul. 19, 2022**

(54) **ARTICULATING HEAD COMPONENT FOR CEILING FAN BLADE CLEANER**

(71) Applicants: **Korri L. Wright**, Yuma, AZ (US);
Aaron B. Moncur, Mesa, AZ (US);
Michael L. Hadley, Mesa, AZ (US)

(72) Inventors: **Korri L. Wright**, Yuma, AZ (US);
Aaron B. Moncur, Mesa, AZ (US);
Michael L. Hadley, Mesa, AZ (US)

(73) Assignee: **Korri L. Wright**, Yuma, AZ (US)

(*) Notice: This patent is subject to a terminal disclaimer.

(**) Term: **15 Years**

(21) Appl. No.: **29/683,909**

(22) Filed: **Mar. 16, 2019**

(51) **LOC (13) Cl.** **07-05**

(52) **U.S. Cl.**
USPC **D32/40**

(58) **Field of Classification Search**
USPC D32/32, 40-43, 46-49, 74
CPC A47L 1/12; A47L 1/13; A47L 1/06; A47L 4/02; A47J 37/07; A46B 17/08
See application file for complete search history.

(56) **References Cited**

U.S. PATENT DOCUMENTS

- 1,861,179 A * 5/1932 Gray A47L 4/02
15/27
- 1,984,154 A * 12/1934 Pilato A47L 1/06
15/220.1
- 2,276,264 A * 3/1942 Goldfinger A47L 4/02
15/220.3
- 2,571,906 A * 10/1951 Love A47L 4/02
15/220.3
- D328,373 S * 7/1992 Murray D30/162
- D350,424 S * 9/1994 Elliott 15/210.1

- 5,359,751 A * 11/1994 Bellardini A47L 4/00
15/210.1
- 5,369,836 A * 12/1994 Horne A47L 4/00
15/210.1
- D395,102 S * 6/1998 Cika D32/32
- D406,927 S * 3/1999 Feldmeier D30/162
- D425,679 S * 5/2000 Long D32/40

(Continued)

FOREIGN PATENT DOCUMENTS

WO WO D094910-024 * 11/2017 7/5

OTHER PUBLICATIONS

BladeButler website Wayback Machine date Aug. 2018, site visited Mar. 15, 2021, <https://web.archive.org/web/20200804002130/https://www.bladebutler.com/>.*

(Continued)

Primary Examiner — John R Yeh

(74) *Attorney, Agent, or Firm* — Charmasson, Buchaca & Leach, LLP

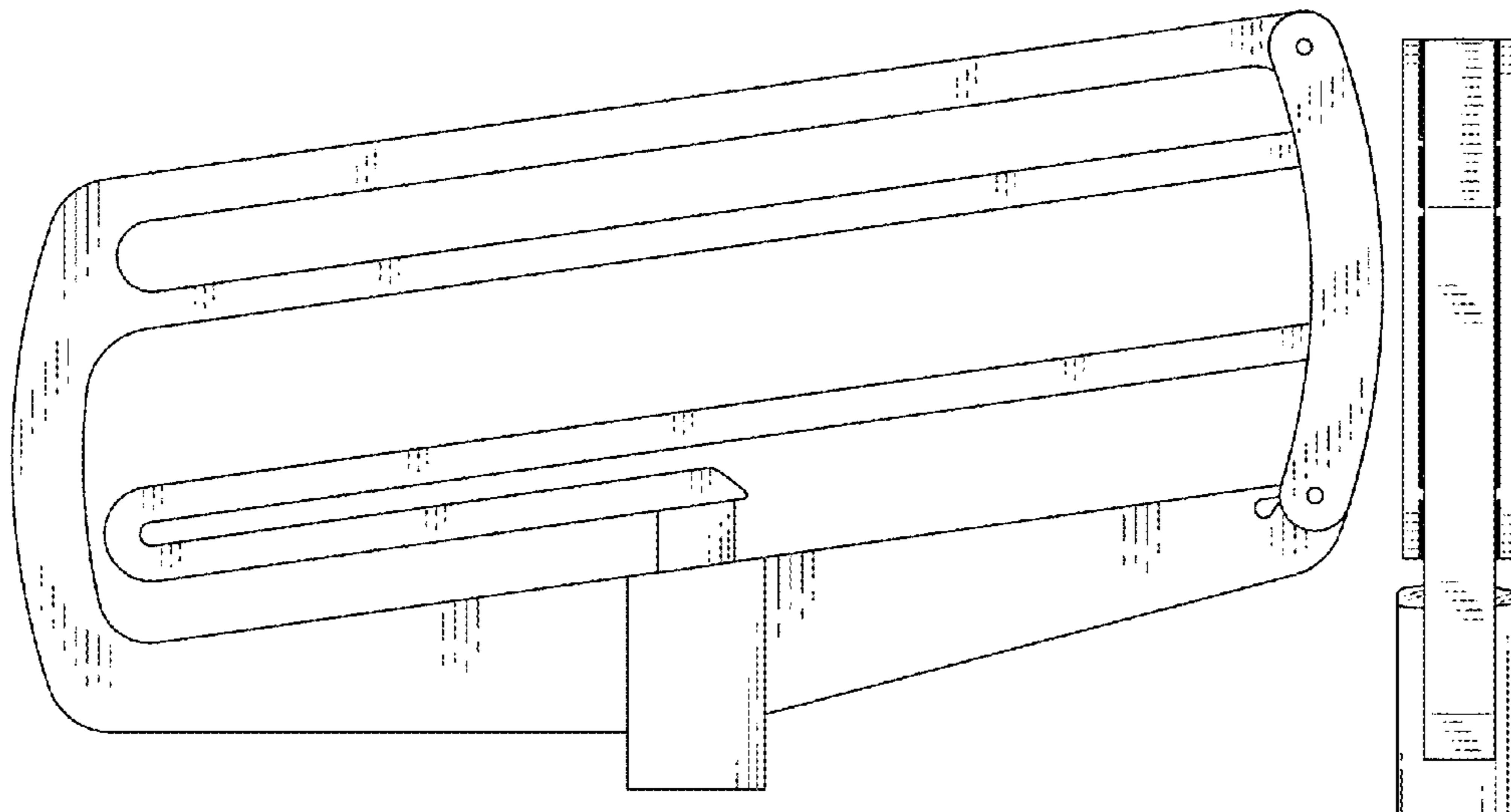
(57) **CLAIM**

The ornamental design for an articulating head component for ceiling fan blade cleaner, as shown and described.

DESCRIPTION

FIG. 1 shows the front elevation view of an ornamental design of an articulating head component for ceiling fan blade cleaner;
FIG. 2 shows a back elevation view thereof;
FIG. 3 shows a top plan view thereof;
FIG. 4 shows a bottom plan view thereof;
FIG. 5 shows a right elevation view thereof; and,
FIG. 6 shows a left elevation view thereof.
The broken lines depict portions of the articulating head component for a ceiling fan blade cleaner that form no part of the claimed design.

1 Claim, 2 Drawing Sheets



(56)

References Cited

U.S. PATENT DOCUMENTS

6,782,579 B1 * 8/2004 Grimm F04D 25/088
 15/246
 7,430,781 B2 * 10/2008 Collins A47L 4/02
 15/220.3
 D590,114 S * 4/2009 Li D32/40
 D629,983 S * 12/2010 Sgroi, Jr. D32/40
 D671,287 S * 11/2012 Patterson D32/40
 D695,479 S * 12/2013 Sgroi, Jr. A47L 13/18
 D32/40
 8,734,585 B1 * 5/2014 Muncy A47L 4/00
 134/6
 10,682,028 B2 * 6/2020 Fodrocy A47L 4/02
 2012/0017500 A1 * 1/2012 Davis A01G 7/06
 47/1.5
 2017/0127891 A1 * 5/2017 Deri A47L 4/02
 2019/0313868 A1 * 10/2019 Abrahamyan-Smith
 A47L 9/0693
 2020/0141424 A1 * 5/2020 Dobbs A47L 25/00

OTHER PUBLICATIONS

Clean Microfiber Unger Brush Ceiling Fan Duster Cleaner, ebay review 2016, <https://www.ebay.com/itm/Clean-Microfiber-Unger-Brush-Ceiling-Fan-Duster-Cleaner-CI> . . . site visited Mar. 15, 2021.*

* cited by examiner

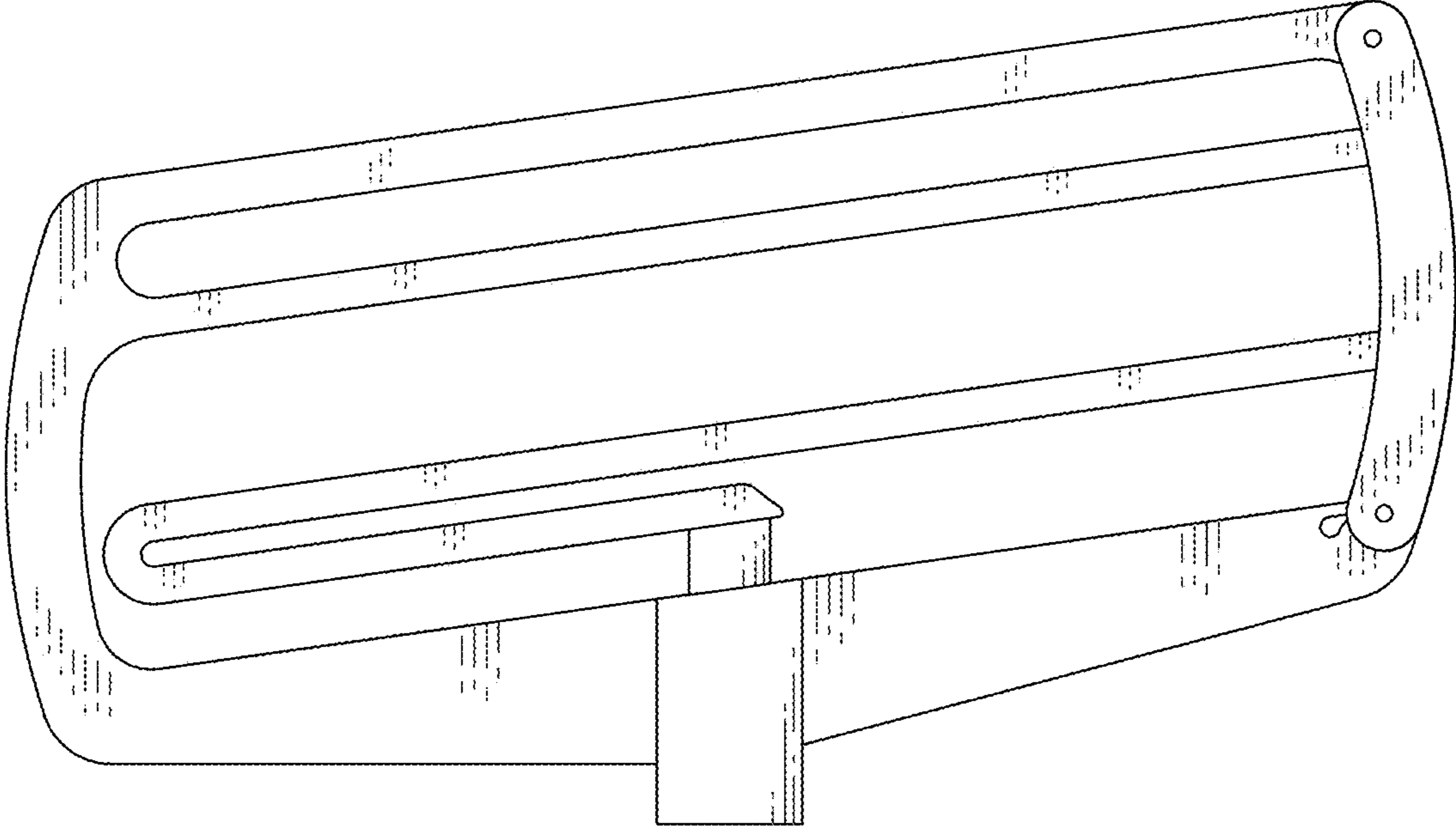


FIG. 1

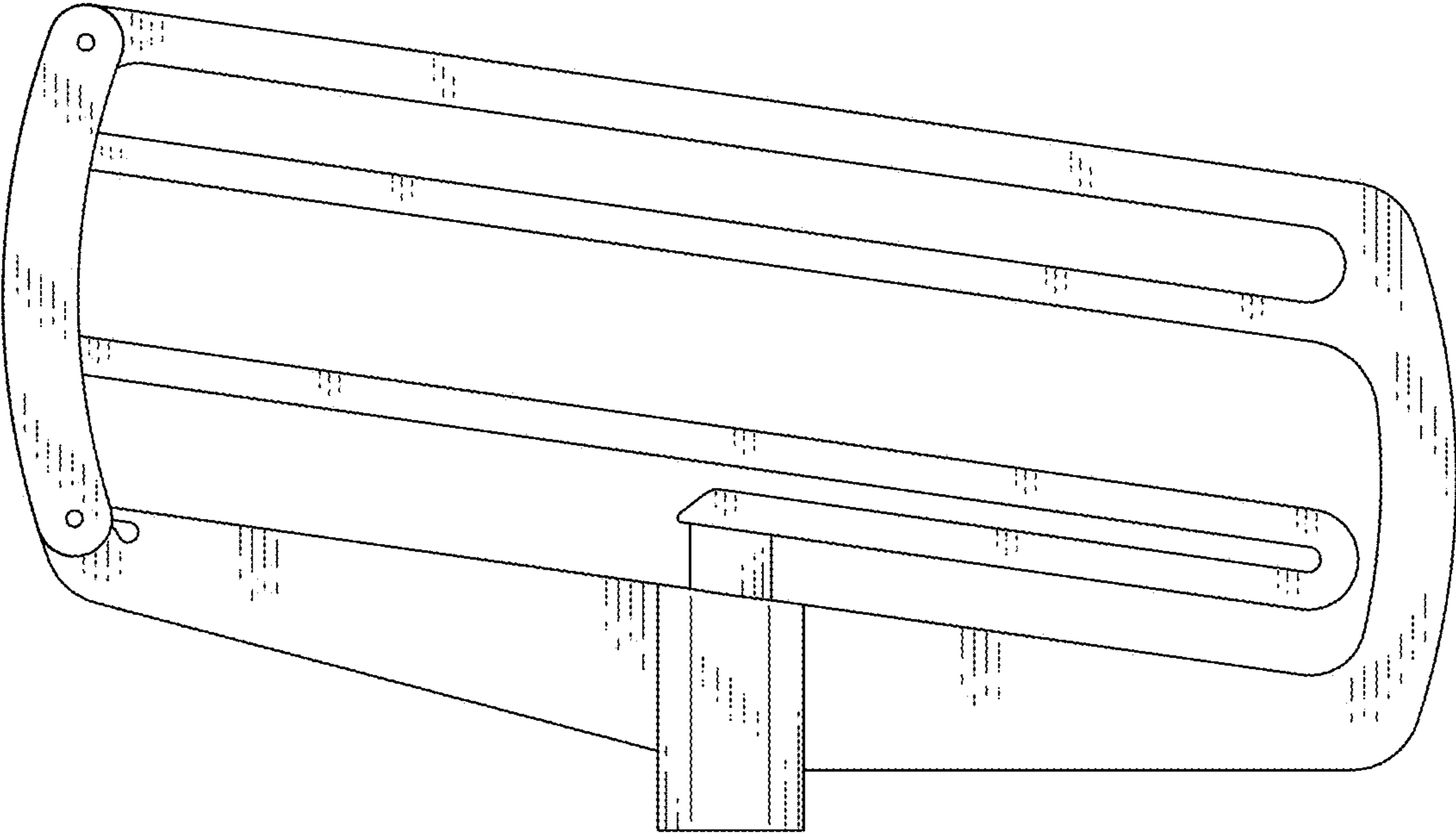


FIG. 2

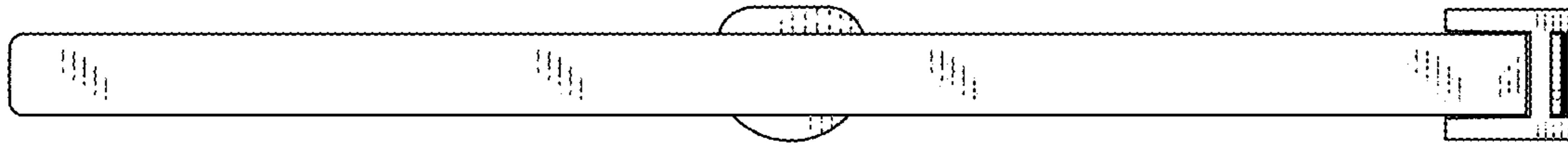


FIG. 3

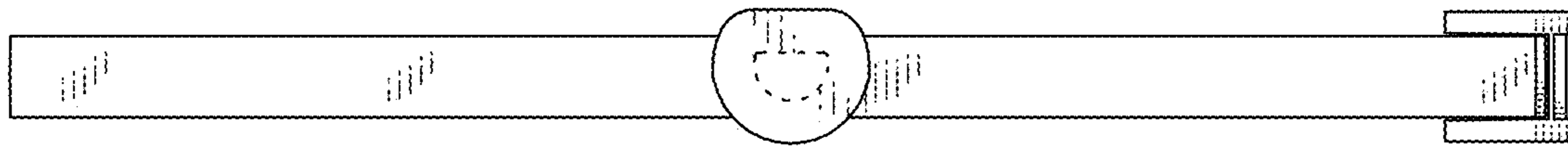


FIG. 4

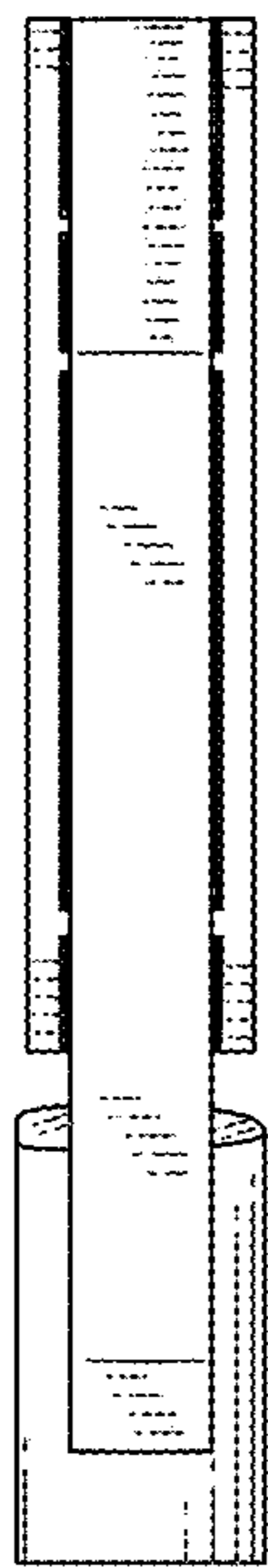


FIG. 5

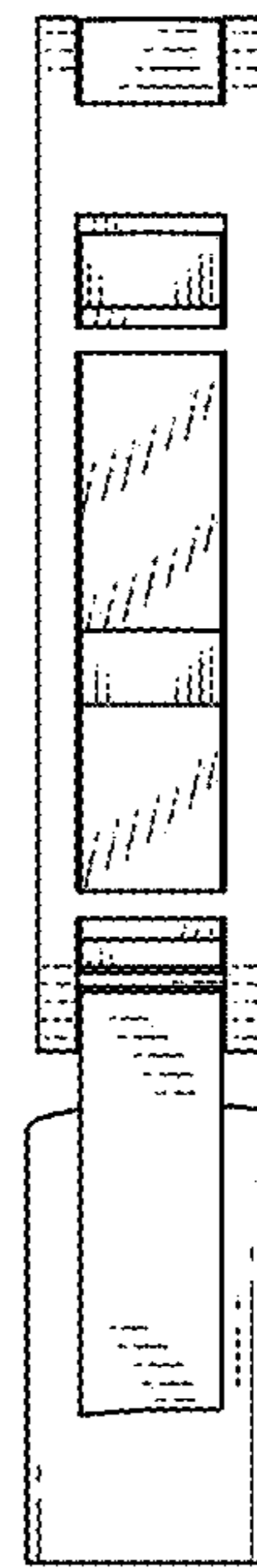


FIG. 6