



US00D958478S

(12) **United States Design Patent**  
**Benacquisto**

(10) **Patent No.:** **US D958,478 S**

(45) **Date of Patent:** **\*\* Jul. 19, 2022**

- (54) **SELF-CLEANING TOOL**
- (71) Applicant: **BISSELL INC.**, Grand Rapids, MI (US)
- (72) Inventor: **Justin Benacquisto**, Caledonia, MI (US)
- (73) Assignee: **BISSELL Inc.**, Grand Rapids, MI (US)
- (\*\*) Term: **15 Years**
- (21) Appl. No.: **29/672,998**
- (22) Filed: **Dec. 11, 2018**
- (51) **LOC (13) Cl.** ..... **15-05**
- (52) **U.S. Cl.**  
USPC ..... **D32/25; D32/32**
- (58) **Field of Classification Search**  
USPC ..... D32/17-25, 31-34; D23/213, 223, 224, D23/226, 227; D9/448  
CPC ..... A47L 5/24; A47L 7/009; A47L 7/0066; A47L 7/0095; A47L 9/00; A47L 9/02; A47L 9/06; A47L 9/062; A47L 9/0606; A47L 9/0613; A47L 9/0693; A47L 9/10; A47L 9/30; A47L 11/34; A47L 11/201; A47L 11/202; A47L 11/4016; A47L 11/4088; A47L 11/4094  
See application file for complete search history.

D659,921 S *	5/2012	Smith .....	D32/25
D670,056 S *	10/2012	Ventress .....	D32/34
D723,231 S *	2/2015	Jang .....	D32/32
D726,982 S *	4/2015	Campelli .....	D32/25
D729,474 S *	5/2015	Helfert .....	D32/25
D729,475 S *	5/2015	Jang .....	D32/33
D730,599 S *	5/2015	Uim .....	D32/18
D806,333 S *	12/2017	Houghton .....	D32/25
D819,286 S *	5/2018	Kim .....	D32/34
D848,545 S *	5/2019	Ma .....	D23/223
D855,915 S *	8/2019	Kim .....	D32/34
D866,101 S *	11/2019	Meyer .....	D32/17
10,588,476 B2 *	3/2020	Royale .....	A47L 11/34
D910,255 S *	2/2021	Bloemendaal .....	D32/31
D910,811 S *	2/2021	Bell .....	D23/213
D929,229 S *	8/2021	Pindor .....	D9/448
2017/0071434 A1 *	3/2017	Nguyen .....	A47L 11/4016
2019/0104906 A1 *	4/2019	Royale .....	A47L 11/30

\* cited by examiner

*Primary Examiner* — Wendy L Arminio

(74) *Attorney, Agent, or Firm* — Quinn IP Law

(57) **CLAIM**

The ornamental design for a self-cleaning tool, as shown and described.

**DESCRIPTION**

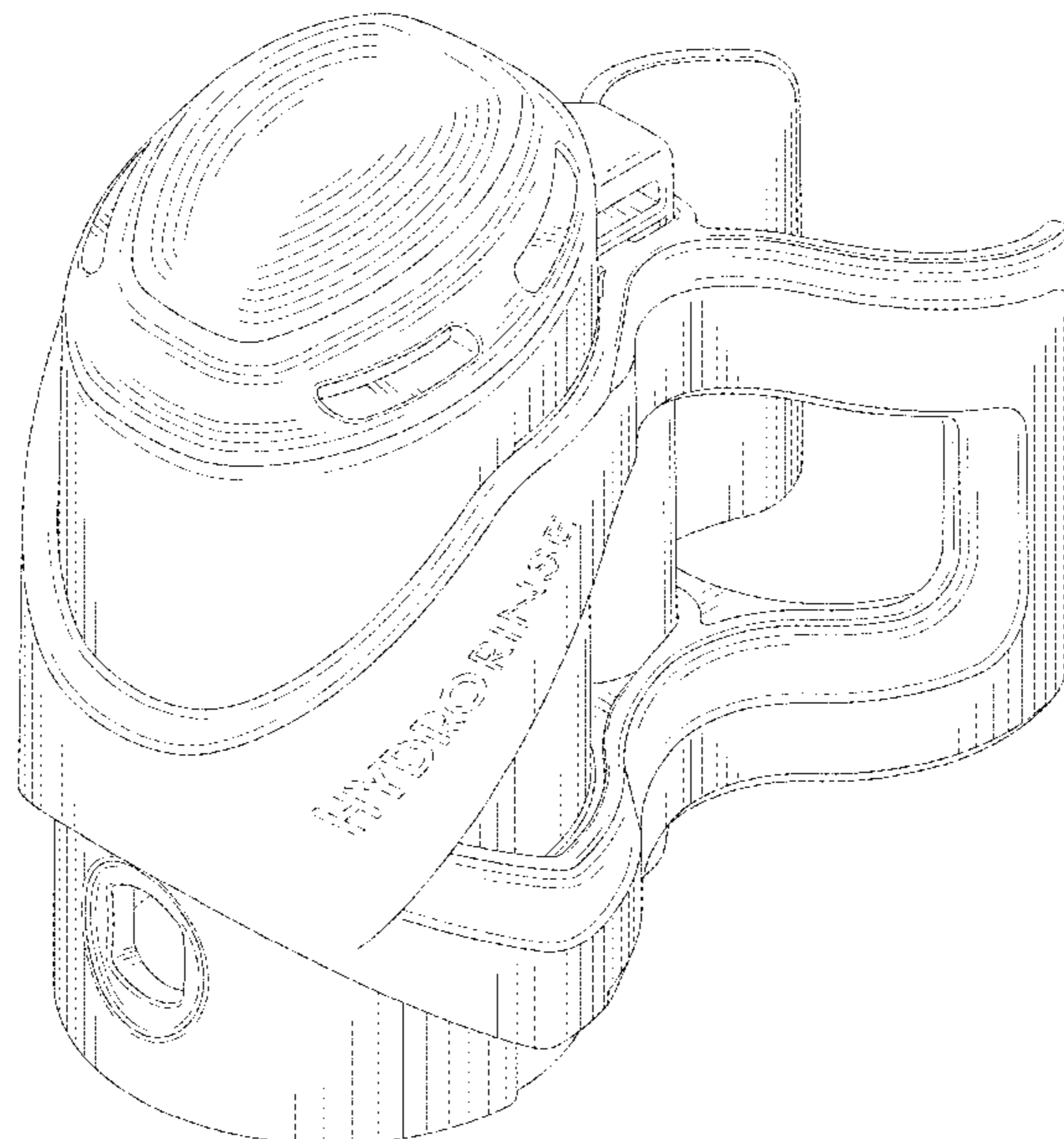
FIG. 1 is a top, front, and right-side perspective view of a self-cleaning tool showing my new design;  
 FIG. 2 is a front view thereof;  
 FIG. 3 is a rear view thereof;  
 FIG. 4 is a right side view thereof;  
 FIG. 5 is a left side view thereof; and,  
 FIG. 6 is a top view thereof.  
 The broken lines illustrating the text indicia depict environment and form no part of the claimed design. All other broken lines depict portions of the self-cleaning tool that form no part of the claimed design.

**1 Claim, 6 Drawing Sheets**

(56) **References Cited**

U.S. PATENT DOCUMENTS

D449,138 S *	10/2001	Dodson .....	D32/18
D453,867 S *	2/2002	Zahuranec .....	D32/31
D462,488 S *	9/2002	Santiago .....	D32/21
6,763,547 B1 *	7/2004	Brewer .....	A62C 33/02 15/302
D506,046 S *	6/2005	Schroter .....	D32/32
D528,715 S *	9/2006	Carr .....	D32/18
D536,147 S *	1/2007	Medema .....	D32/18



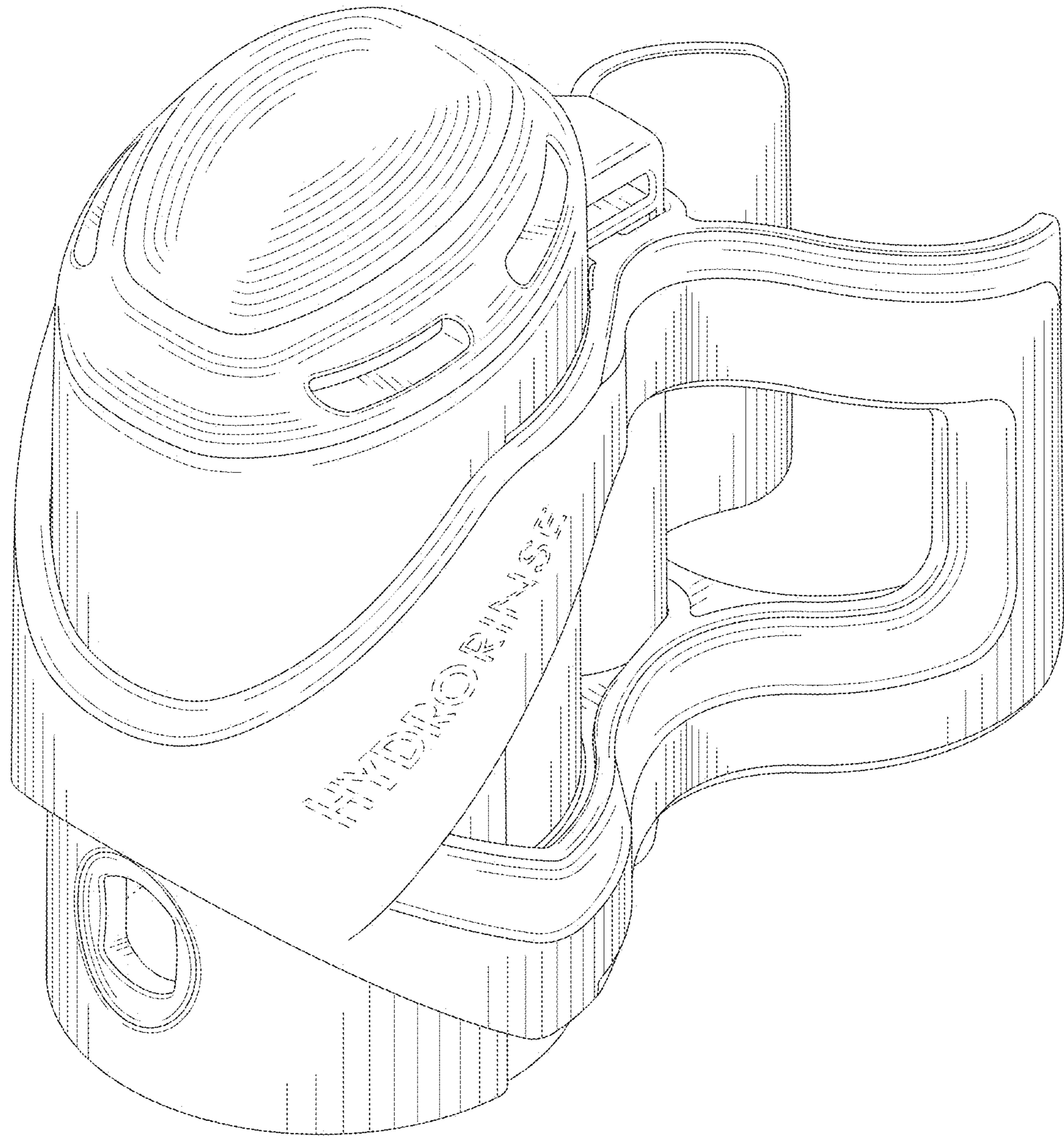


FIG. 1

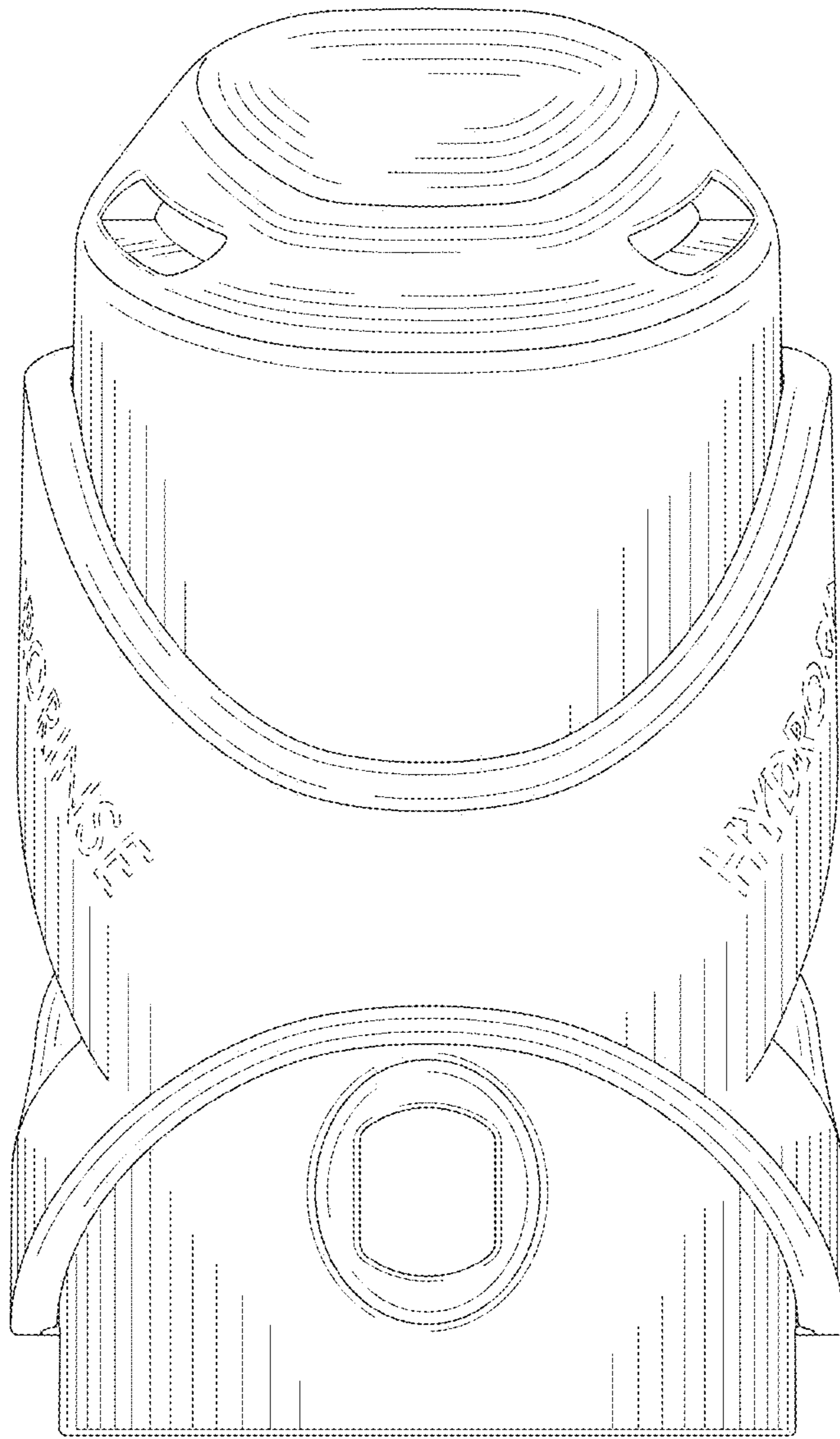


FIG. 2



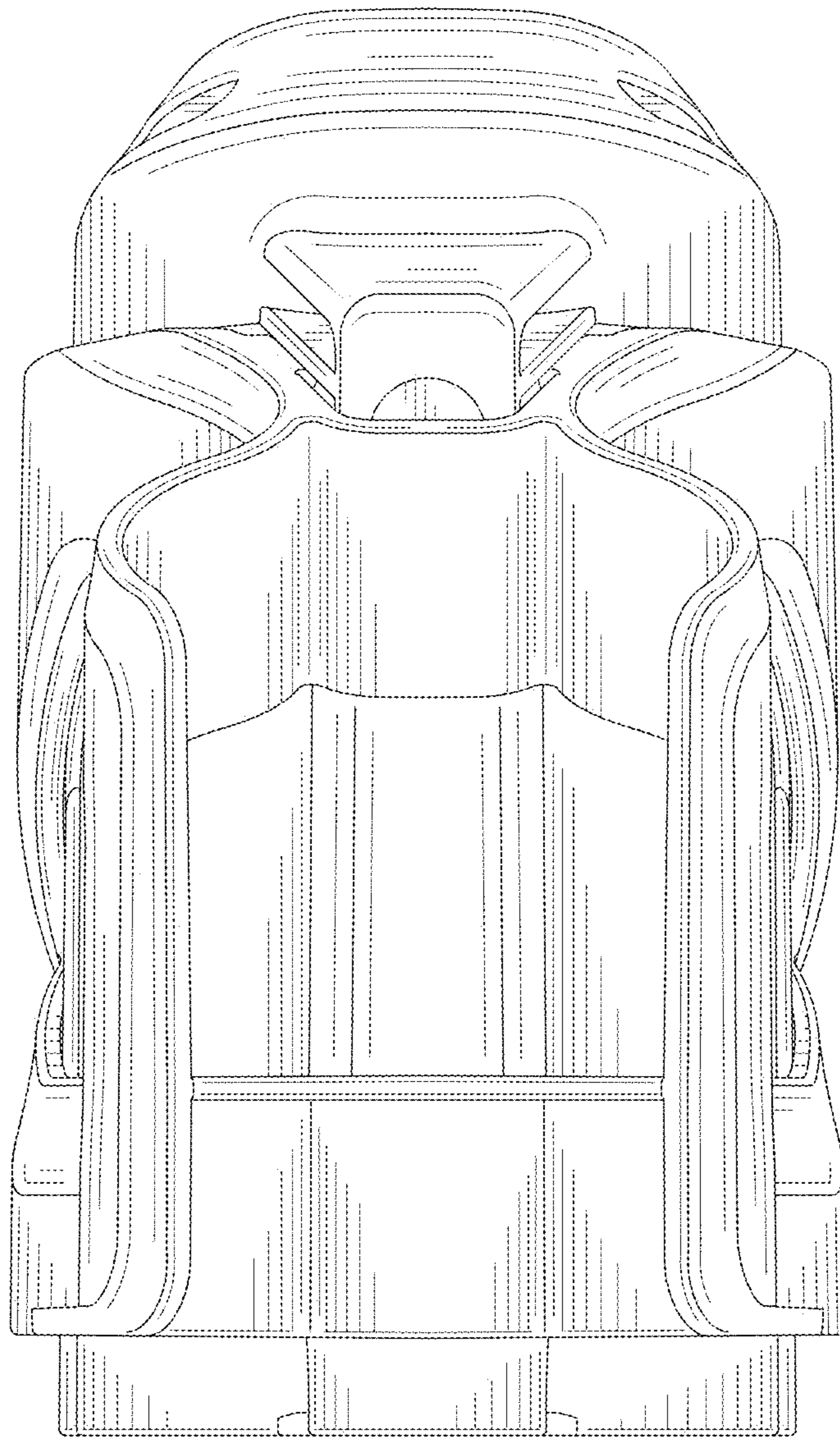


FIG.3

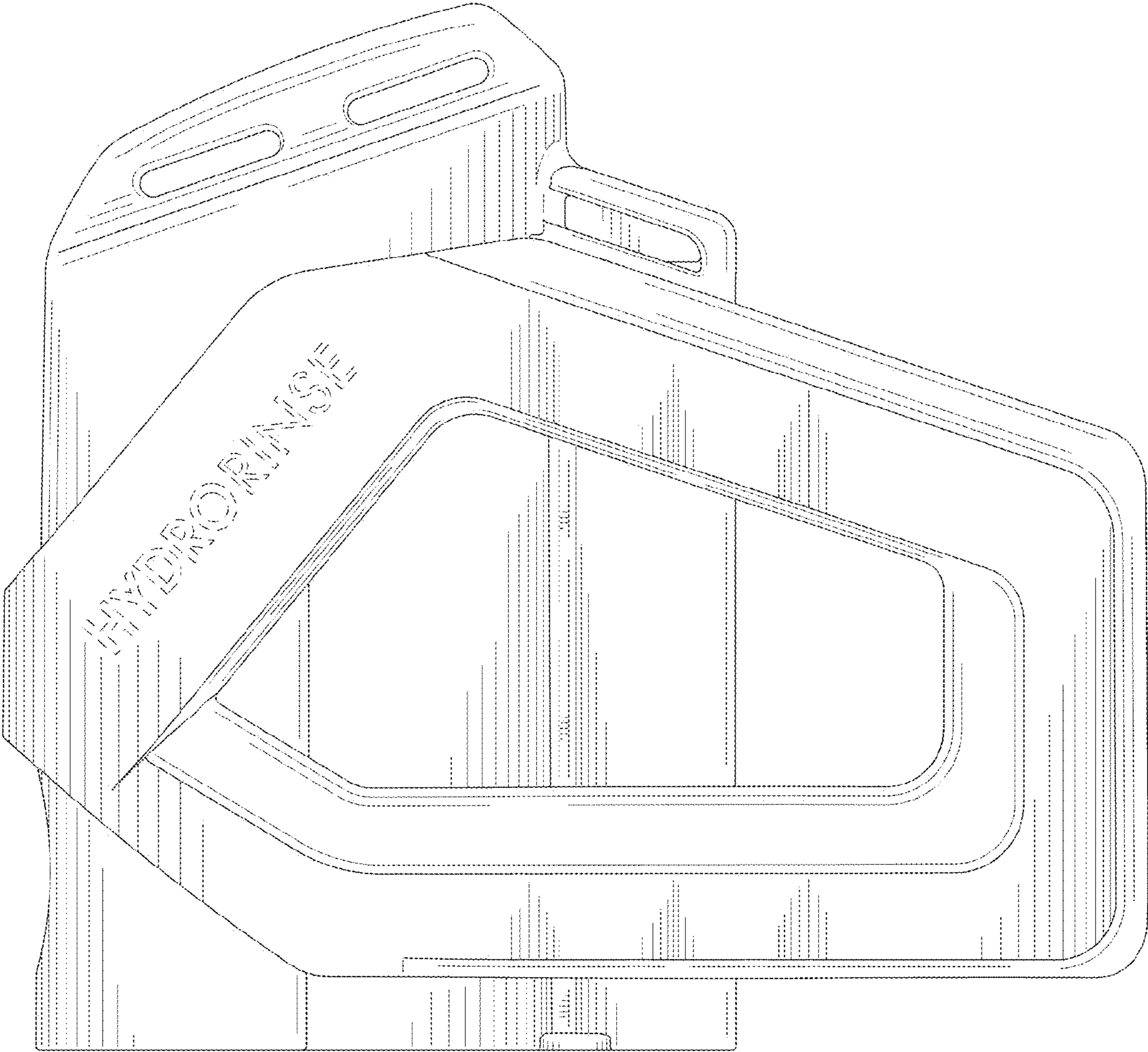


FIG.4

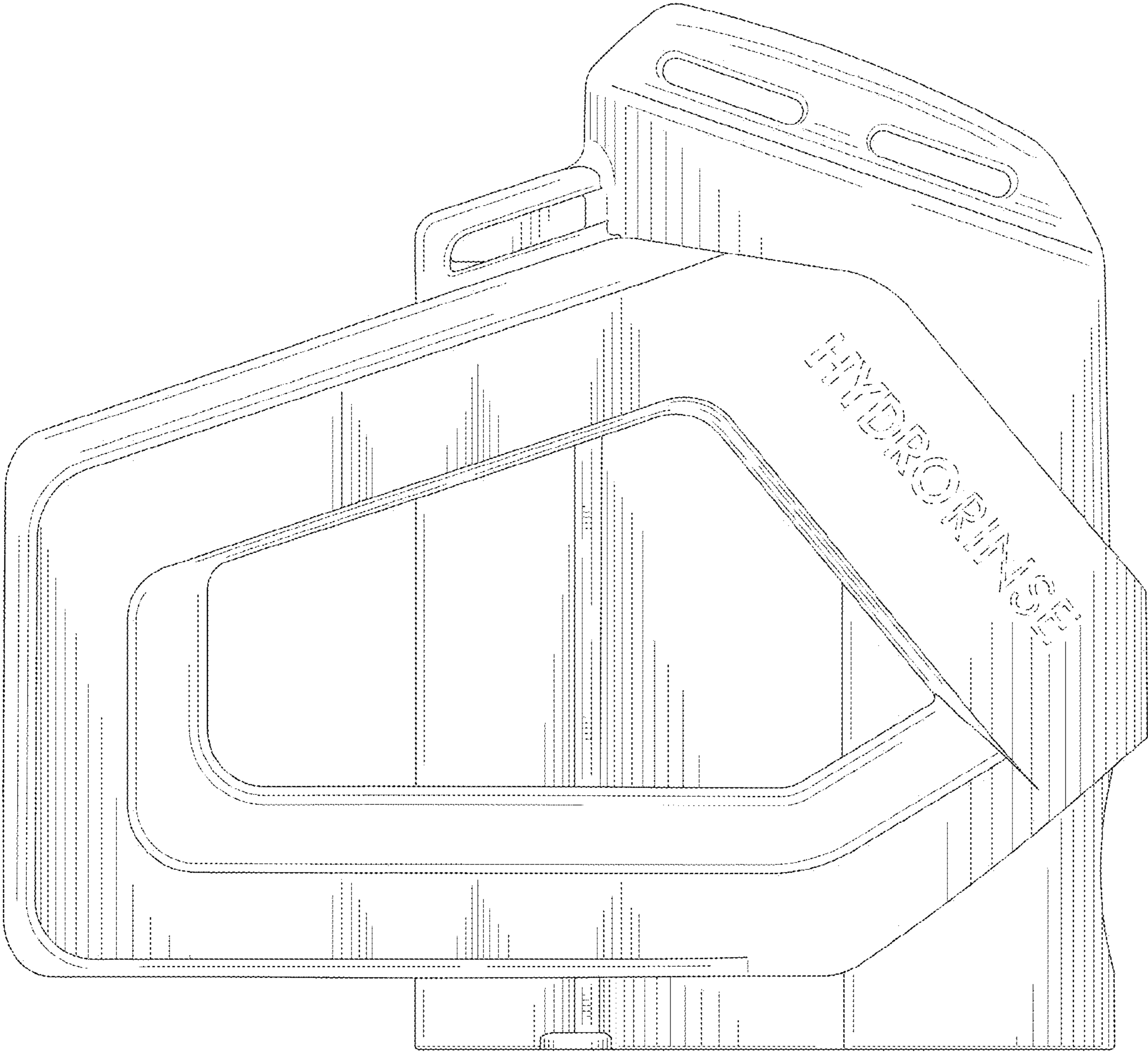


FIG.5

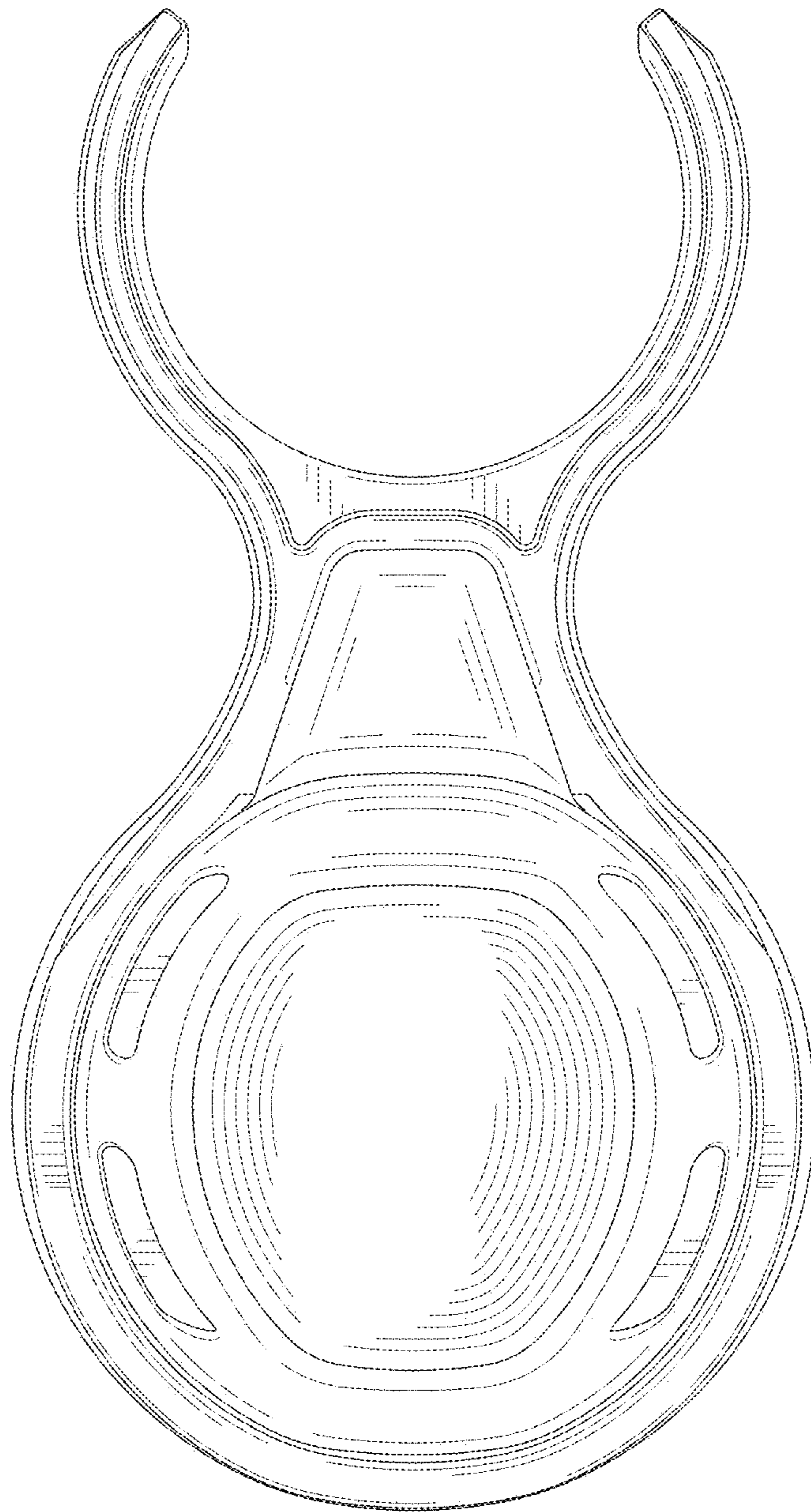


FIG. 6