



US00D958476S

(12) **United States Design Patent**
Alexander

(10) **Patent No.:** **US D958,476 S**
(45) **Date of Patent:** **** Jul. 19, 2022**

- (54) **PRESSURE WASHER**
- (71) Applicant: **FNA Group, Inc.**, Pleasant Prairie, WI (US)
- (72) Inventor: **Gus Alexander**, Inverness, IL (US)
- (73) Assignee: **FNA Group, Inc.**, Pleasant Prairie, WI (US)
- (**) Term: **15 Years**
- (21) Appl. No.: **29/724,684**
- (22) Filed: **Feb. 18, 2020**
- (51) **LOC (13) Cl.** **15-05**
- (52) **U.S. Cl.**
USPC **D32/15**
- (58) **Field of Classification Search**
USPC D32/1, 15, 16, 25; D15/9; D34/24; D8/303
CPC . A61B 17/08; B61D 3/187; A61F 2/07; A61F 13/551; A46B 11/0041; B65D 1/0276; B65D 77/16; A61L 15/44; B05B 9/0855; B05B 9/007; F04B 17/06; B08B 3/026
See application file for complete search history.

- 6,695,235 B2 * 2/2004 Faller B08B 3/026 239/722
- D489,151 S * 4/2004 Krieger D32/15
- 6,779,987 B2 * 8/2004 Dexter B08B 3/026 417/299
- D499,848 S * 12/2004 Leasure D32/15
- (Continued)

OTHER PUBLICATIONS

Walmart FNA Group Pressure Washer <https://www.walmart.com/ip/FNA-Group-234632-2800-PSI-Pressure-Washer-20-in-Aqua-Burnish-Floor-Pad/151713208> (Year: 2015).*
(Continued)

Primary Examiner — Michelle E. Wilson
Assistant Examiner — Richard E Yenchsky
(74) *Attorney, Agent, or Firm* — Hanley, Flight & Zimmerman, LLC

(57) **CLAIM**

The ornamental design for a “pressure washer”, as shown and described in FIGS. 1-7.

DESCRIPTION

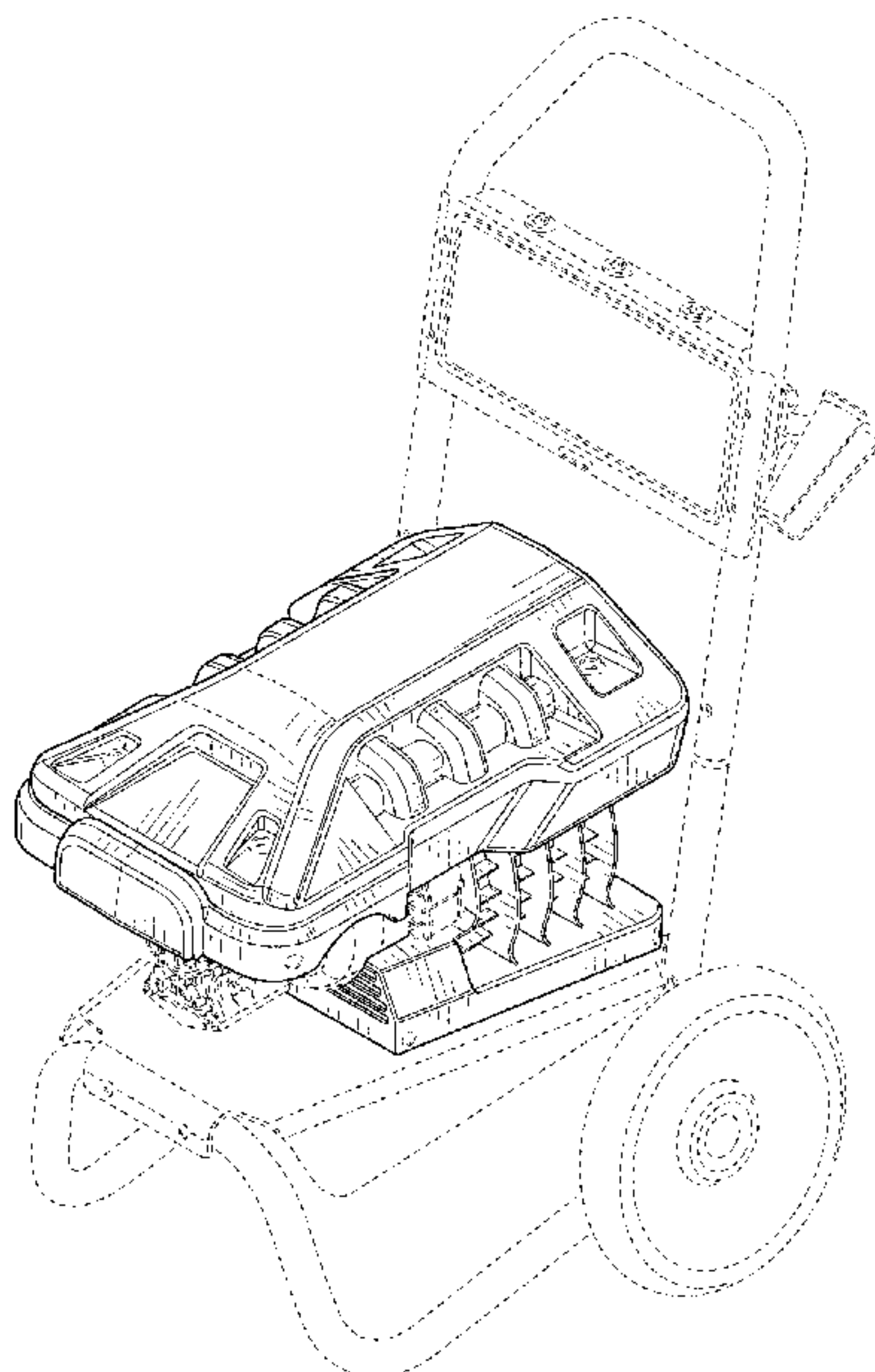
FIG. 1 is a front, right perspective view of a pressure washer. FIG. 2 is a rear, left perspective view of the pressure washer of FIG. 1. FIG. 3 is a front view of the pressure washer of FIG. 1. FIG. 4 is a rear view of the pressure washer of FIG. 1. FIG. 5 is a left view of the pressure washer of FIG. 1. FIG. 6 is a right view of the pressure washer of FIG. 1. FIG. 7 is a top view of the pressure washer of FIG. 1; and, FIG. 8 is a bottom view of the pressure washer of FIG. 1. The features shown in broken lines form no part of the claimed design. The lighter solid lines denote surfaces and contours. Line shading is not surface ornamentation.

(56) **References Cited**

U.S. PATENT DOCUMENTS

- 3,940,065 A * 2/1976 Ware B05B 5/085 239/146
- D299,074 S * 12/1988 Tuggle D32/15
- D375,590 S * 11/1996 Steinhart D32/15
- D375,591 S * 11/1996 Fryoux D32/15
- D394,529 S * 5/1998 Glisch D32/15
- D458,423 S * 6/2002 Rehkugler D32/1
- D463,888 S * 10/2002 Rehkugler B08B 3/026 D32/1
- D467,692 S * 12/2002 Morgan D32/15
- D469,932 S * 2/2003 Liang-Ming D32/15

1 Claim, 8 Drawing Sheets



(56)

References Cited

U.S. PATENT DOCUMENTS

6,857,444 B2 * 2/2005 Davis B08B 3/026
 137/115.06
 6,935,642 B1 * 8/2005 Craig B08B 3/026
 280/47.24
 D529,670 S * 10/2006 Hendy D32/15
 D531,767 S * 11/2006 Hastie D32/15
 D532,942 S * 11/2006 Busschaert D32/15
 7,316,286 B2 * 1/2008 Hillary B05B 9/0855
 180/291
 D571,512 S * 6/2008 Dammkoehler D32/15
 D580,114 S * 11/2008 Rummel D32/15
 7,562,780 B2 * 7/2009 Gilpatrick B08B 3/026
 211/70.6
 D639,001 S * 5/2011 Alexander D32/15
 D647,256 S * 10/2011 Alexander D32/15
 D647,672 S * 10/2011 Alexander D32/15
 D648,082 S * 11/2011 Alexander D32/15
 D702,900 S * 4/2014 Kahan D32/16
 D729,468 S * 5/2015 Dammkoehler D32/15
 D729,469 S * 5/2015 Dammkoehler D32/15
 D730,598 S * 5/2015 Meyer D32/15
 D737,528 S * 8/2015 Dammkoehler D32/25
 D739,099 S * 9/2015 Tatic D32/15
 D739,100 S * 9/2015 Tatic D32/16
 D742,080 S * 10/2015 Rigon D32/15
 D743,643 S * 11/2015 Casey D32/15
 D778,011 S * 1/2017 Alexander D32/16
 D779,744 S * 2/2017 Weinberg D32/16
 D779,745 S * 2/2017 Weinberg D32/16
 D779,746 S * 2/2017 Weinberg D32/16
 D783,910 S * 4/2017 Casalgrandi D32/15
 D804,750 S * 12/2017 Janik D32/16
 D809,721 S * 2/2018 Venard D32/15
 D834,269 S * 11/2018 Masters D32/15
 D835,369 S * 12/2018 Thakur D32/15
 D836,272 S * 12/2018 Janik D32/15
 D838,926 S * 1/2019 Delgado D32/16

D839,512 S * 1/2019 Bearup D32/25
 D873,512 S * 1/2020 Chavana, Jr. D32/15
 D876,485 S * 2/2020 Pauly D15/9
 D901,799 S * 11/2020 Stariha D32/25
 10,835,933 B2 * 11/2020 Luby F04B 17/06
 D903,960 S * 12/2020 Yang D32/15
 10,888,887 B2 * 1/2021 Masters B05B 9/007
 D919,909 S * 5/2021 Tschopp D32/15
 2005/0145270 A1 * 7/2005 Ray B05B 9/007
 134/174
 2006/0102745 A1 * 5/2006 Dexter B05B 9/0855
 239/146
 2007/0186813 A1 * 8/2007 Smith B05D 1/02
 106/281.1
 2012/0234938 A1 * 9/2012 Bearup B05B 9/007
 239/147
 2012/0234939 A1 * 9/2012 Bearup B08B 3/026
 239/147
 2012/0323205 A1 * 12/2012 Vanderwagen A61L 15/44
 604/385.06
 2013/0259406 A1 * 10/2013 Fisher B65D 77/16
 383/70
 2013/0263394 A1 * 10/2013 Larimore B08B 3/024
 15/21.1
 2013/0270359 A1 * 10/2013 Saxton B62B 5/065
 239/146
 2019/0110911 A1 * 4/2019 Nae A61F 2/07
 2020/0062439 A1 * 2/2020 Klok B65D 1/0276
 2020/0268137 A1 * 8/2020 Lopiccolo A46B 11/0041
 2020/0276798 A1 * 9/2020 Glaug A61F 13/551
 2021/0269066 A1 * 9/2021 Huck B61D 3/187
 2021/0298741 A1 * 9/2021 Eaves A61B 17/08

OTHER PUBLICATIONS

Amazaon FNA Group 2800PSI <https://www.amazon.com/Group-MS60773-Pressure-Washer-800-PSI/dp/B07875HWX6> (Year: 2021).*

* cited by examiner

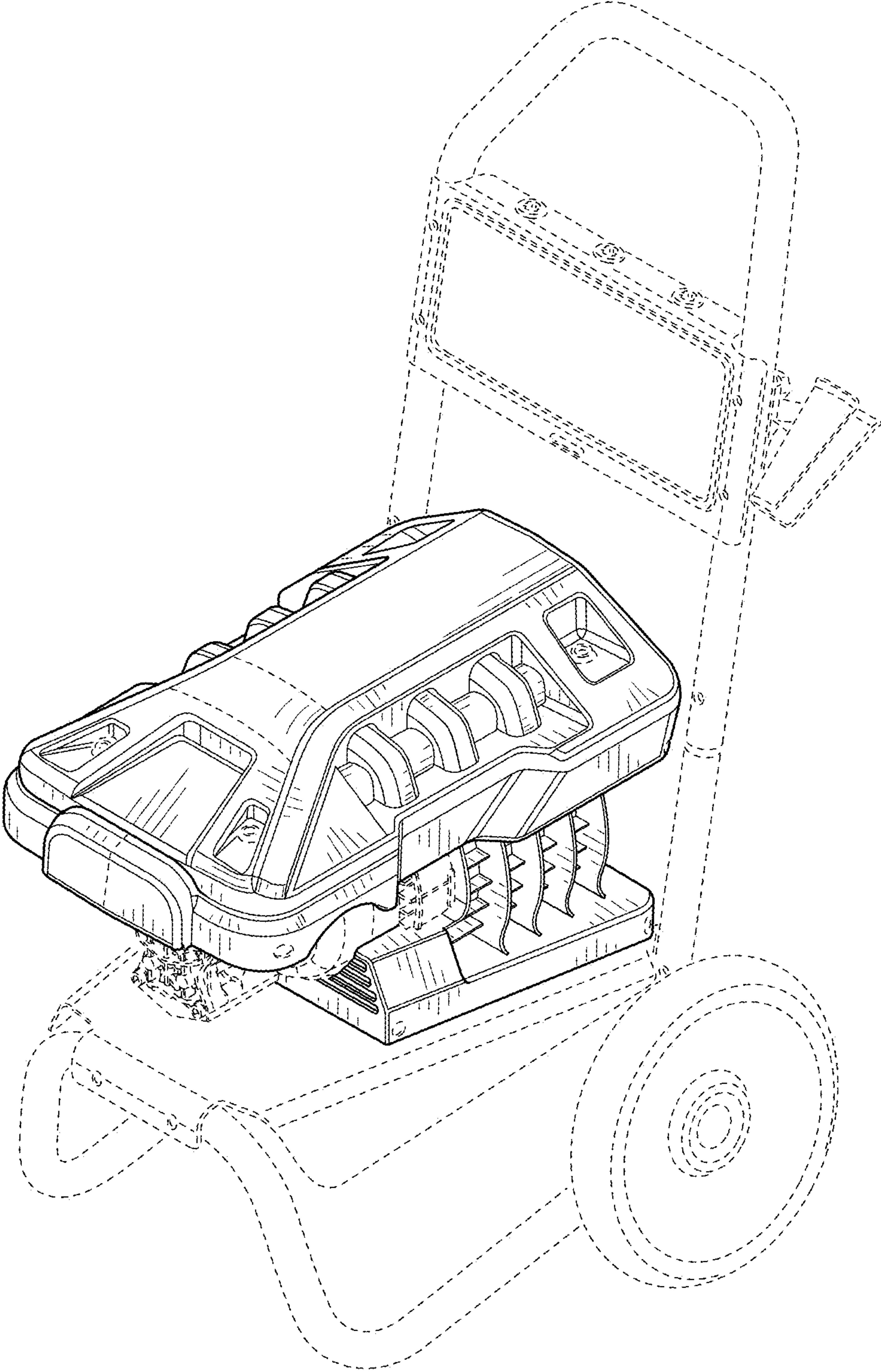


FIG. 1

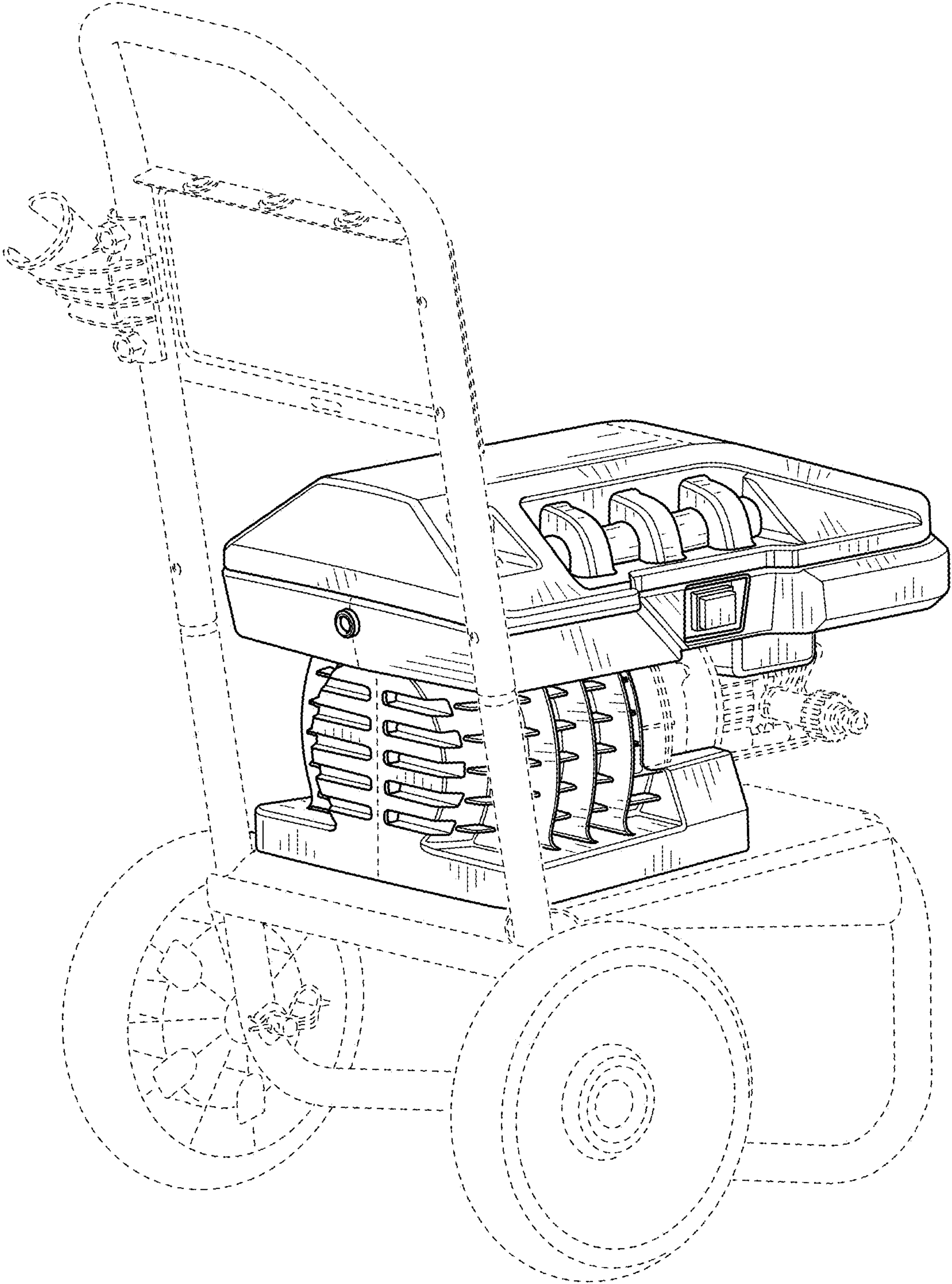


FIG. 2

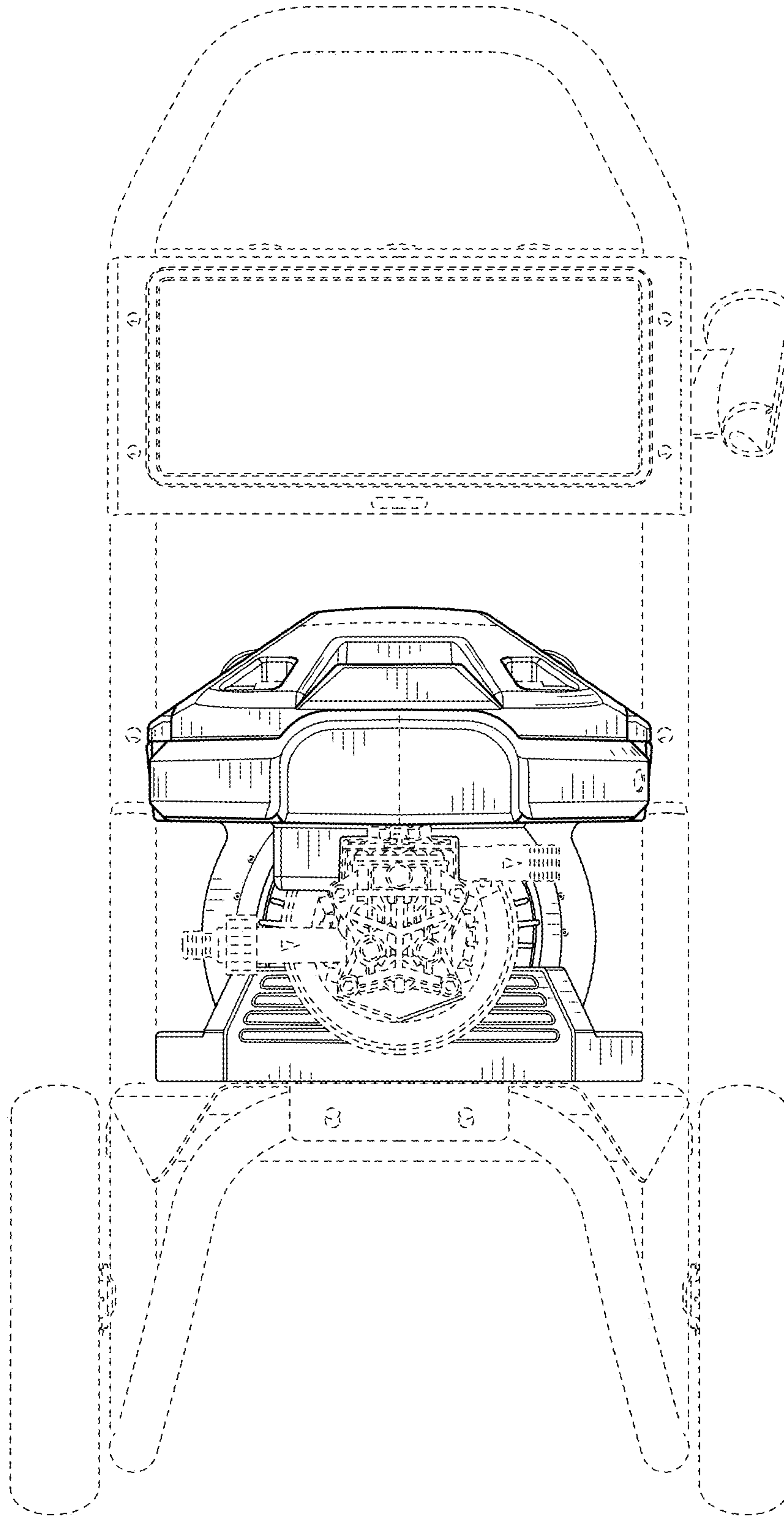


FIG. 3

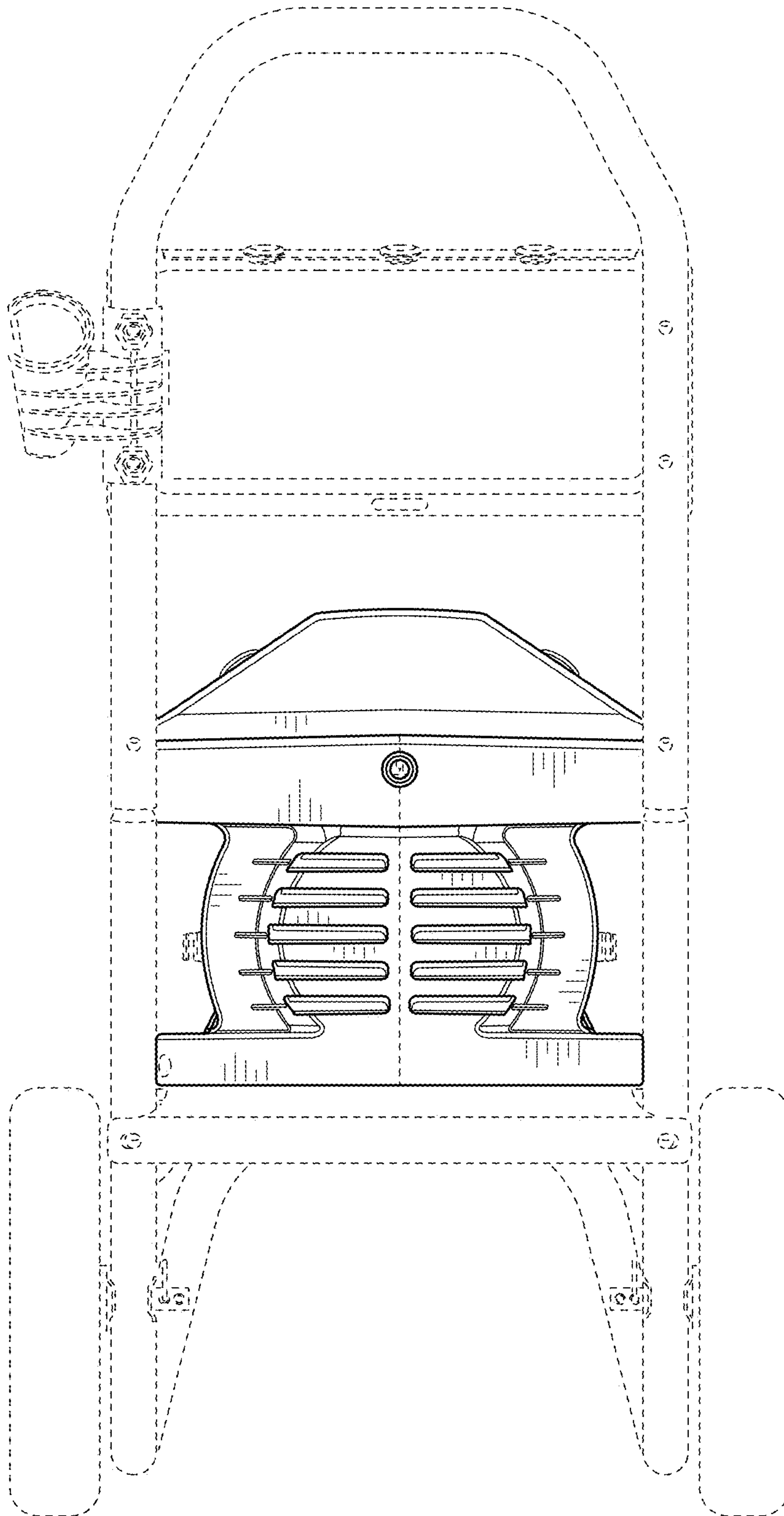


FIG. 4

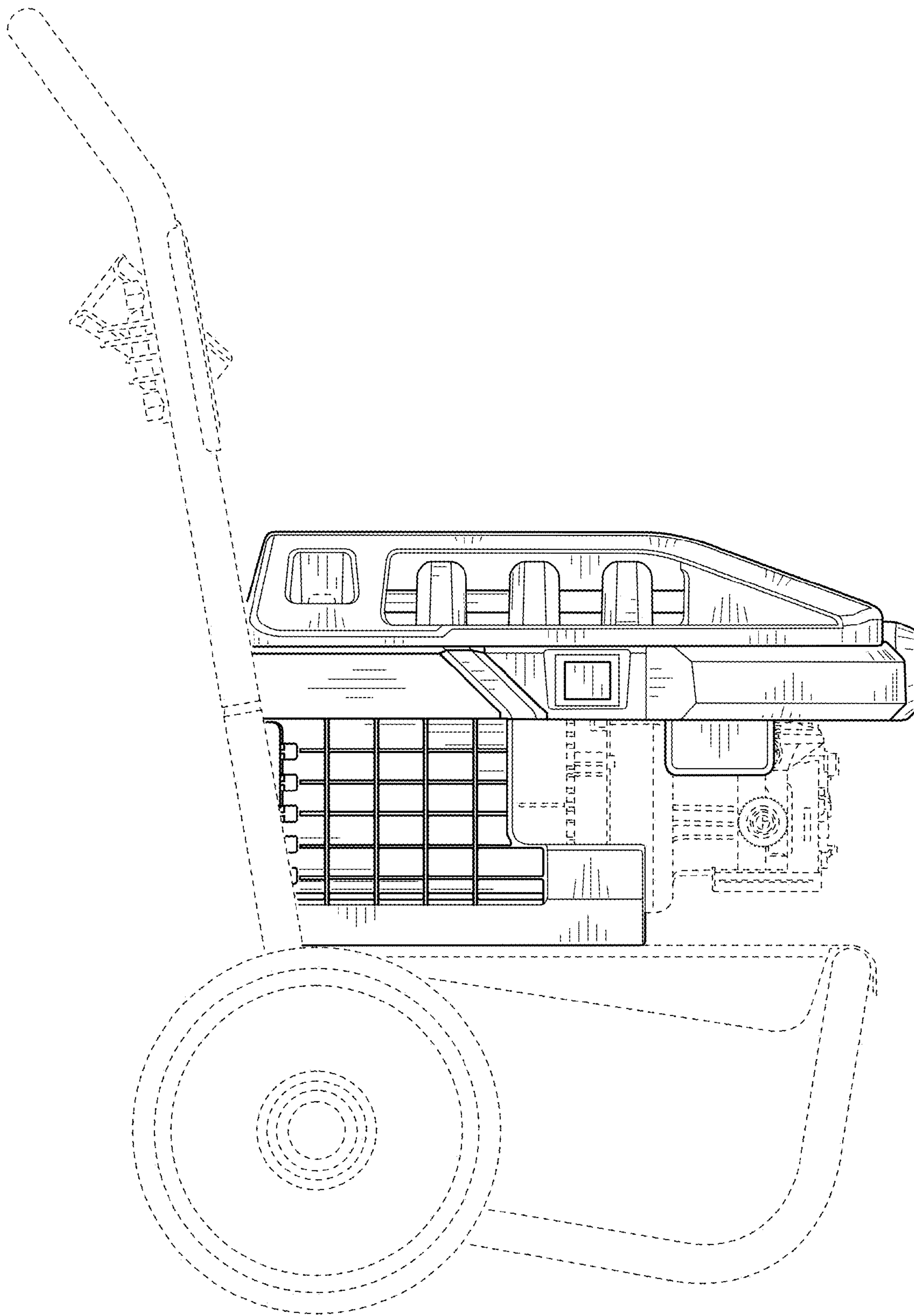


FIG. 5

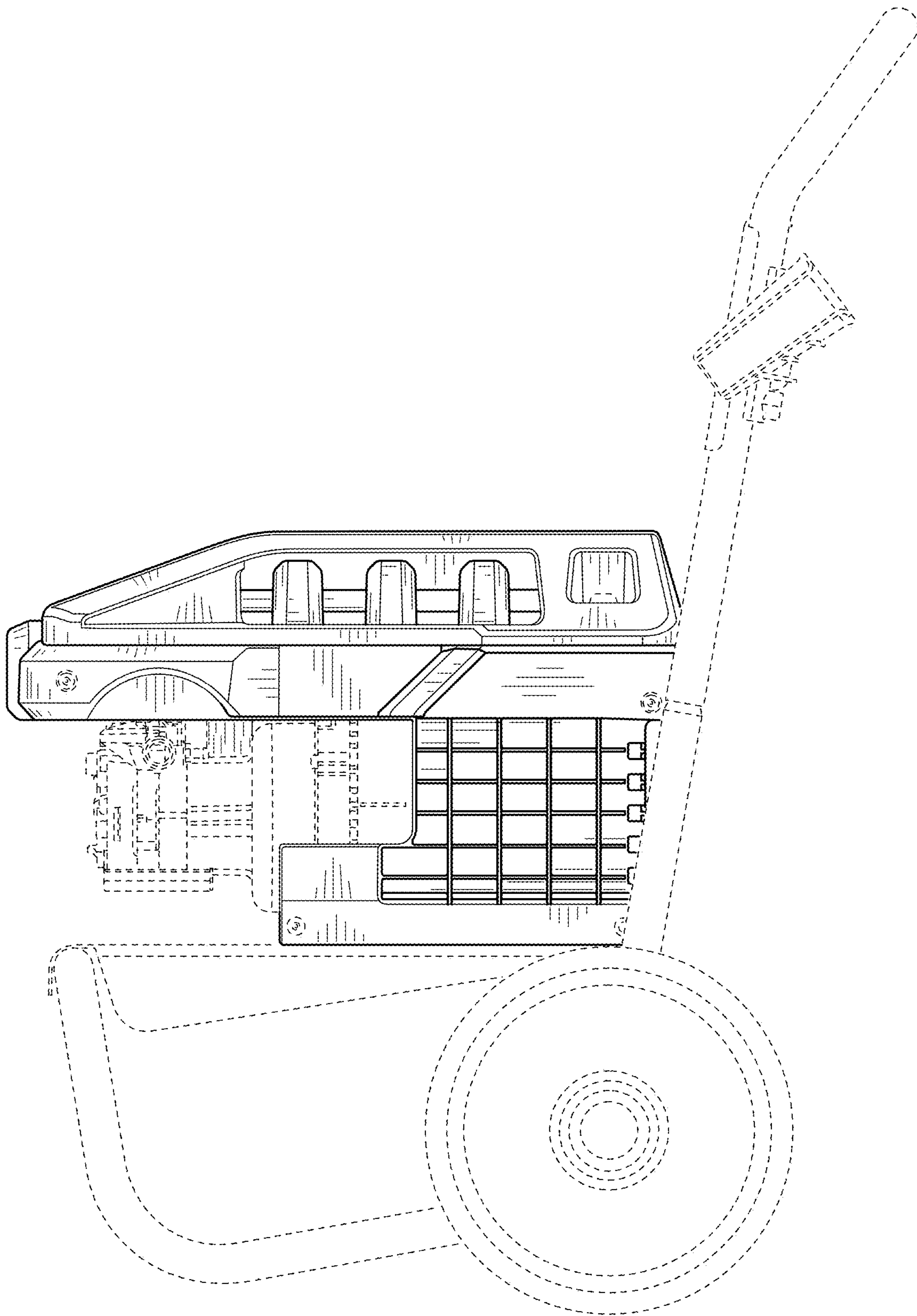


FIG. 6

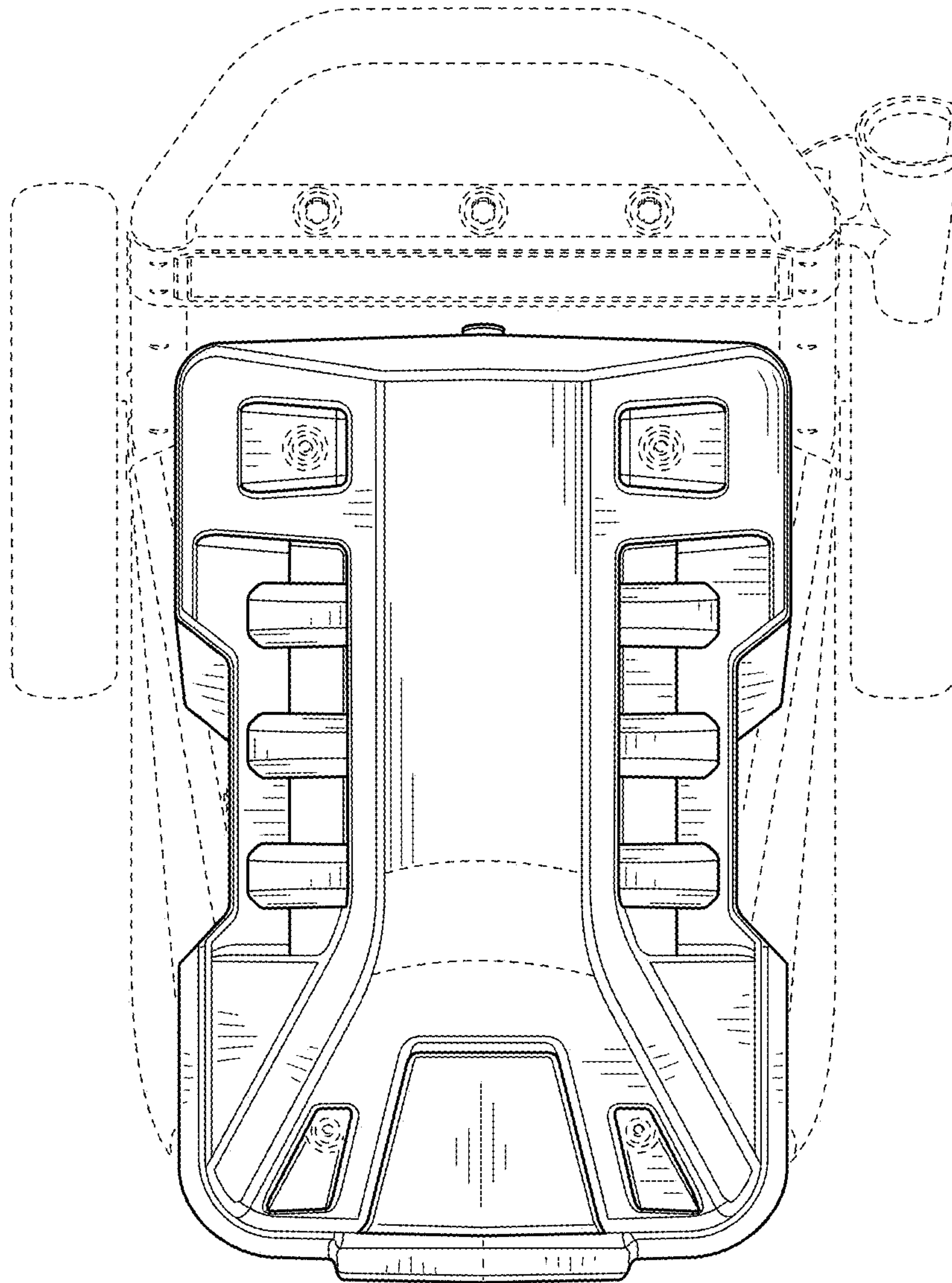


FIG. 7

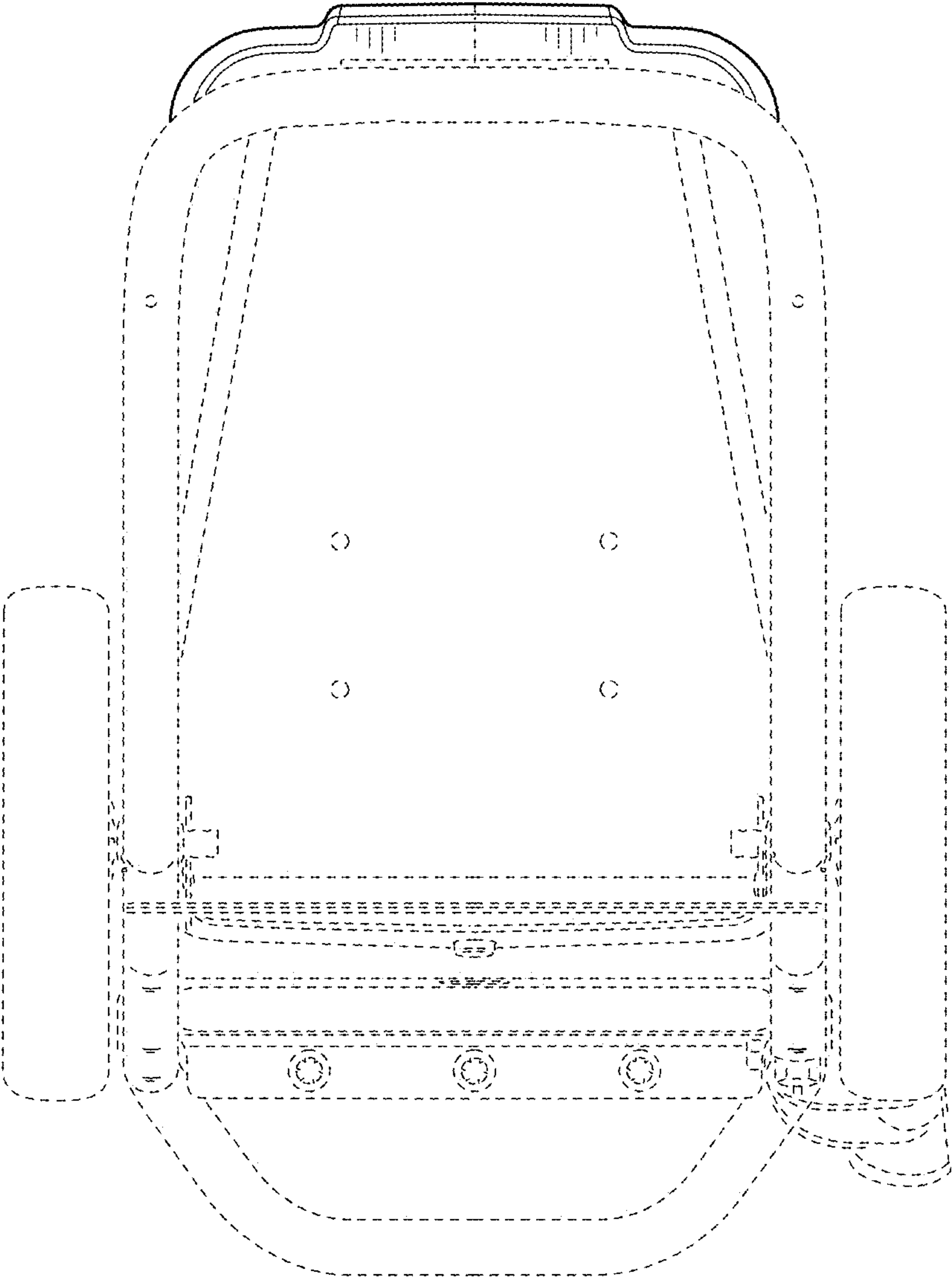


FIG. 8