



US00D958470S

(12) **United States Design Patent** (10) **Patent No.:** **US D958,470 S**
Soares (45) **Date of Patent:** **** Jul. 19, 2022**

(54) **CONTAINER FOR LITTER**
(71) Applicant: **NOBA ANIMAL CO. INC.,**
Saint-Jean-sur-Richelieu (CA)
(72) Inventor: **Frederick Soares,**
Saint-Jean-sur-Richelieu (CA)
(73) Assignee: **NOBA ANIMAL CO. INC.,**
Saint-Jean-sur-Richelieu (CA)

7,789,041 B1 * 9/2010 Taylor A01K 5/0114
119/61.5
8,839,741 B2 9/2014 Cheek
D715,594 S * 10/2014 Norland D7/545
9,428,873 B2 8/2016 Becattini, Jr. et al.
D782,756 S * 3/2017 Veness D30/161
D796,768 S * 9/2017 Pinsonnault D34/10
9,850,064 B2 12/2017 Egan et al.
(Continued)

(**) Term: **15 Years**

WO 2002023977 A2 3/2002

(21) Appl. No.: **35/511,488**

OTHER PUBLICATIONS

(22) Filed: **Sep. 3, 2020**

“DogBuddy: Pooper Scooper with Bag Dispenser”. Found online Dec. 20, 2021 at amazon.com. Reference dated Jul. 17, 2017. Retrieved from www.amazon.com/DogBuddy-Portable-Sanitary-Dispenser-Included/dp/B074115FTG/.*

(80) **Hague Agreement Data**

Int. Filing Date: **Sep. 3, 2020**
Int. Reg. No.: **DM/210710**
Int. Reg. Date: **Sep. 3, 2020**
Int. Reg. Pub. Date: **Mar. 5, 2021**

(Continued)

(51) **LOC (13) Cl.** **30-99**

Primary Examiner — Kendra Leslie Hamilton
(74) *Attorney, Agent, or Firm* — Gottlieb, Rackman & Reisman, P.C.

(52) **U.S. Cl.**
USPC **D30/161; D30/162**

(57) **CLAIM**

(58) **Field of Classification Search**
USPC D30/108, 109, 117, 118, 161, 162;
D7/505, 545, 554.3, 603; D6/349
CPC A01K 1/0107; A01K 1/011; A01K 1/0114;
B65F 1/062
See application file for complete search history.

The ornamental design for a container for litter, as shown and described.

DESCRIPTION

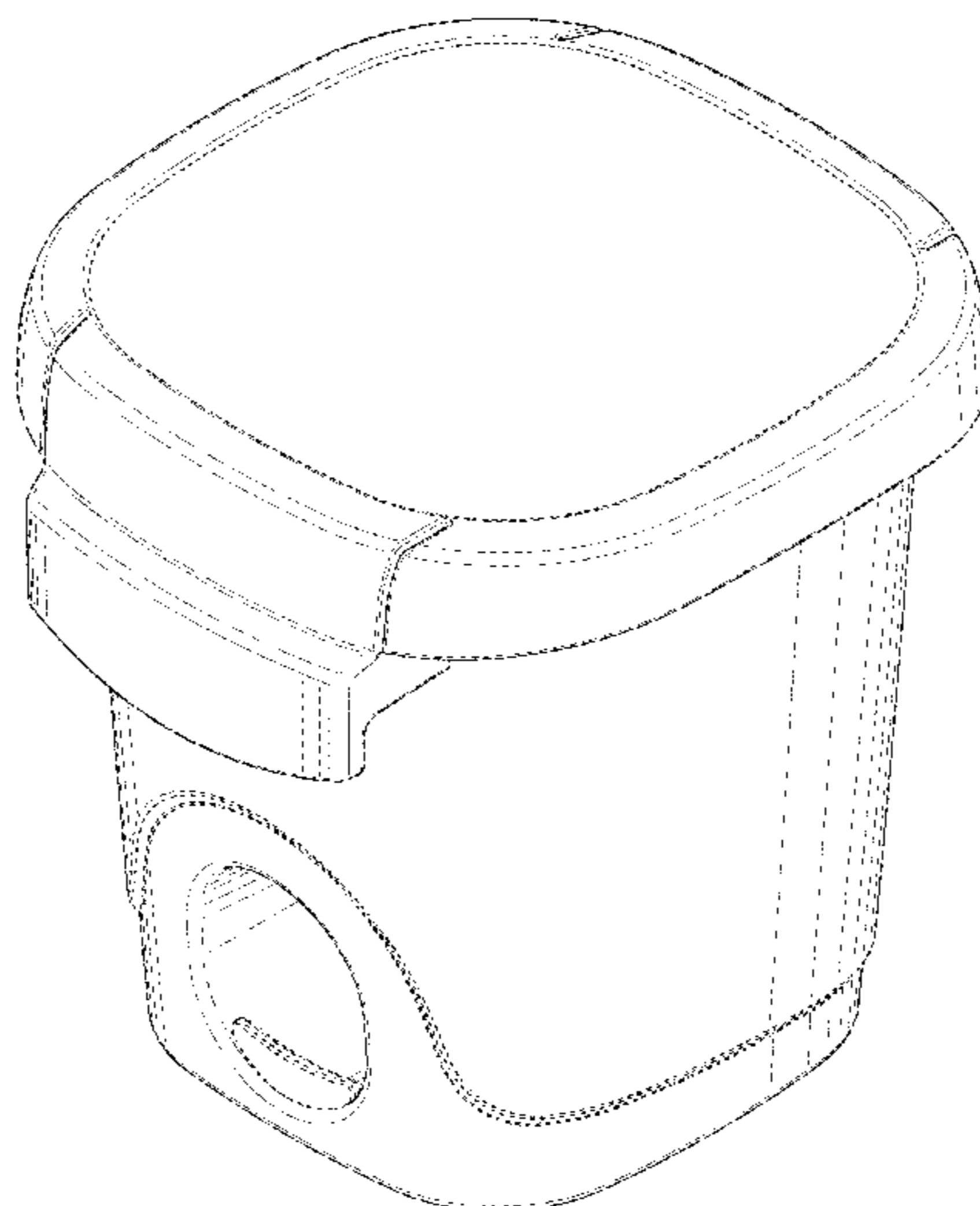
(56) **References Cited**

U.S. PATENT DOCUMENTS

5,322,180 A * 6/1994 Ker B65F 1/062
220/495.07
5,718,469 A * 2/1998 Ockerman A01K 23/005
248/101
5,775,258 A 7/1998 Larsen et al.
5,881,900 A * 3/1999 Meshorer B65F 1/062
220/495.07
6,824,114 B1 11/2004 Vanskiver

1. Container for litter
1.1 : is a top perspective view of a container for litter;
1.2 : is a bottom perspective view thereof;
1.3 : is a front elevation view thereof;
1.4 : is a rear elevation view thereof;
1.5 : is a left side elevation view thereof;
1.6 : is a right side elevation view thereof;
1.7 : is a top plan view thereof; and
1.8 : is a bottom plan view thereof.
The broken lines in the reproductions depict portions of the container for litter that form no part of the claimed design.

1 Claim, 8 Drawing Sheets



(56)

References Cited

U.S. PATENT DOCUMENTS

10,660,299	B2	5/2020	Salvato et al.	
D930,291	S *	9/2021	Tajima	D30/161
D936,918	S *	11/2021	Wendling	D30/199
2009/0151645	A1	6/2009	Fangsrud	
2009/0261104	A1 *	10/2009	Cho	B65F 1/062 220/495.07
2010/0206880	A1 *	8/2010	Leon	B65F 7/00 220/495.07
2010/0276428	A1	11/2010	Lord et al.	
2014/0076756	A1	3/2014	Sweetman	
2016/0244226	A1 *	8/2016	Dunn	B65D 51/247
2019/0152694	A1	5/2019	McConnell et al.	
2020/0262647	A1 *	8/2020	Richards	B65F 1/0006

OTHER PUBLICATIONS

“Earth Rated: PoopBags and Dispenser”. Found online Jan. 7, 2016 at wonderblog.squarespace.com. Reference dated Sep. 22, 2014. Retrieved from www.wonderblog.squarespace.com/blog/2014/9/18/seven-dog-doo-bag-dispensers.*

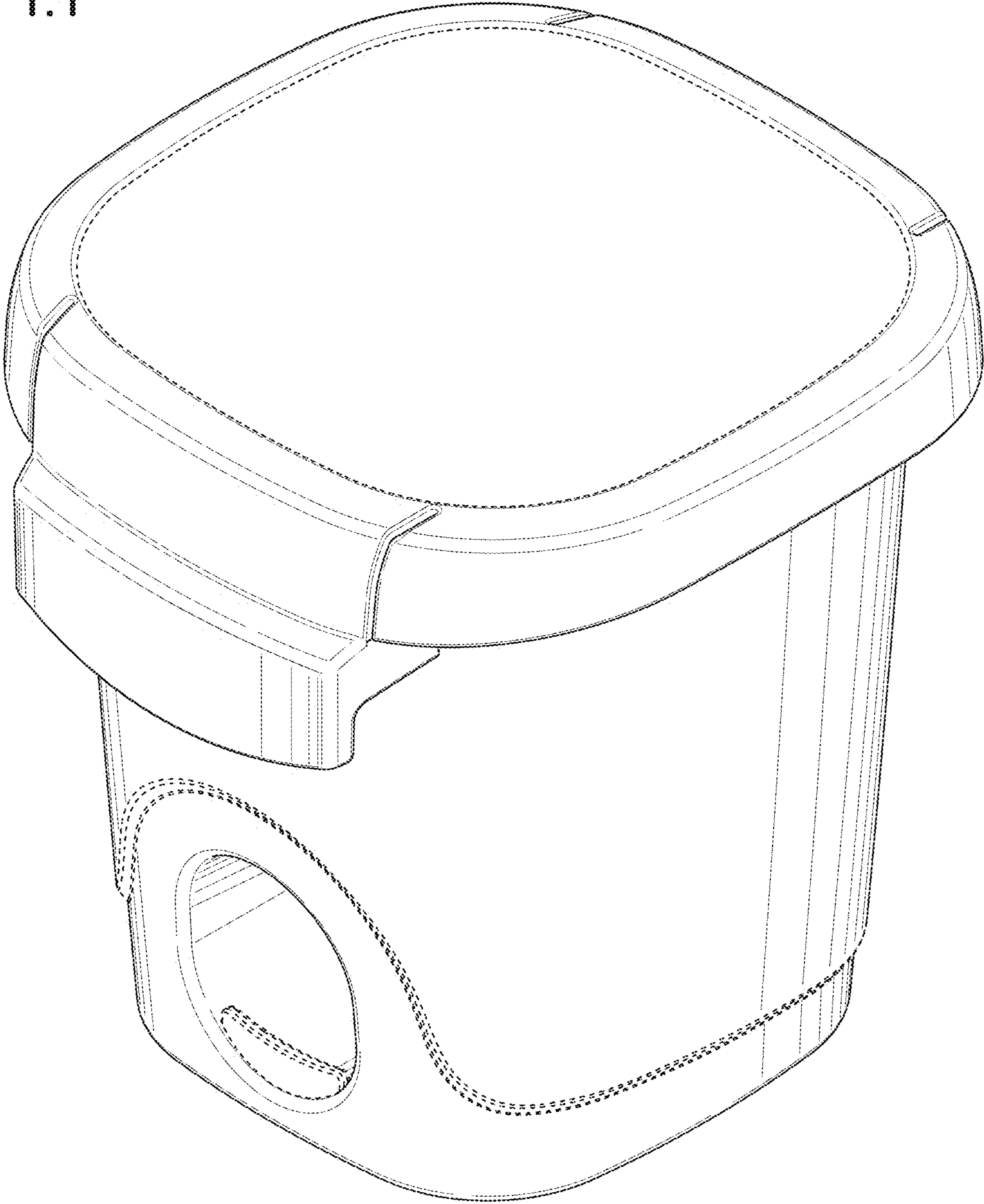
“Litter Genie: Litter Genie Plus Pail, Silver”. Found online Dec. 20, 2021 at amazon.com. Reference dated Mar. 9, 2012. Retrieved from www.amazon.com/Litter-Genie-Plus-Pail-Silver/dp/B007IRMTXE/.*

“Duke-N-Boots: Cat Litter Scoop”. Found online Dec. 20, 2021 at amazon.com. Reference dated Oct. 8, 2019. Retrieved from www.amazon.com/Duke-N-Boots-Litter-Scoop-Green-Blue/dp/B07YVBTSFV/ref=sr_1_105?.*

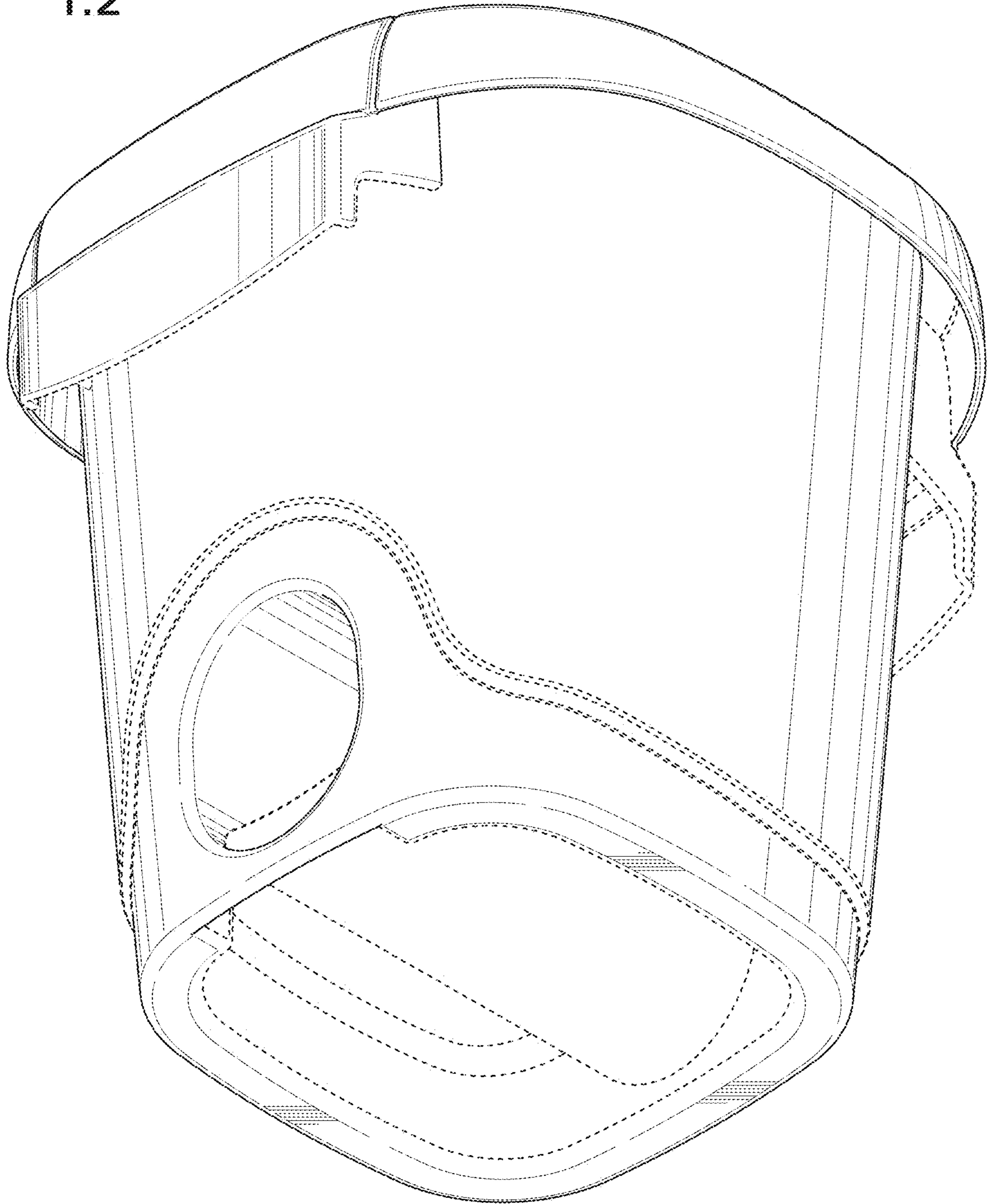
Rubbermaid, Pets™ Litter Care Products—Cat Litter Caddy and Scoop—11L×6"W, Online Catalog, retrieved on Jun. 17, 2020, 2 pages.

* cited by examiner

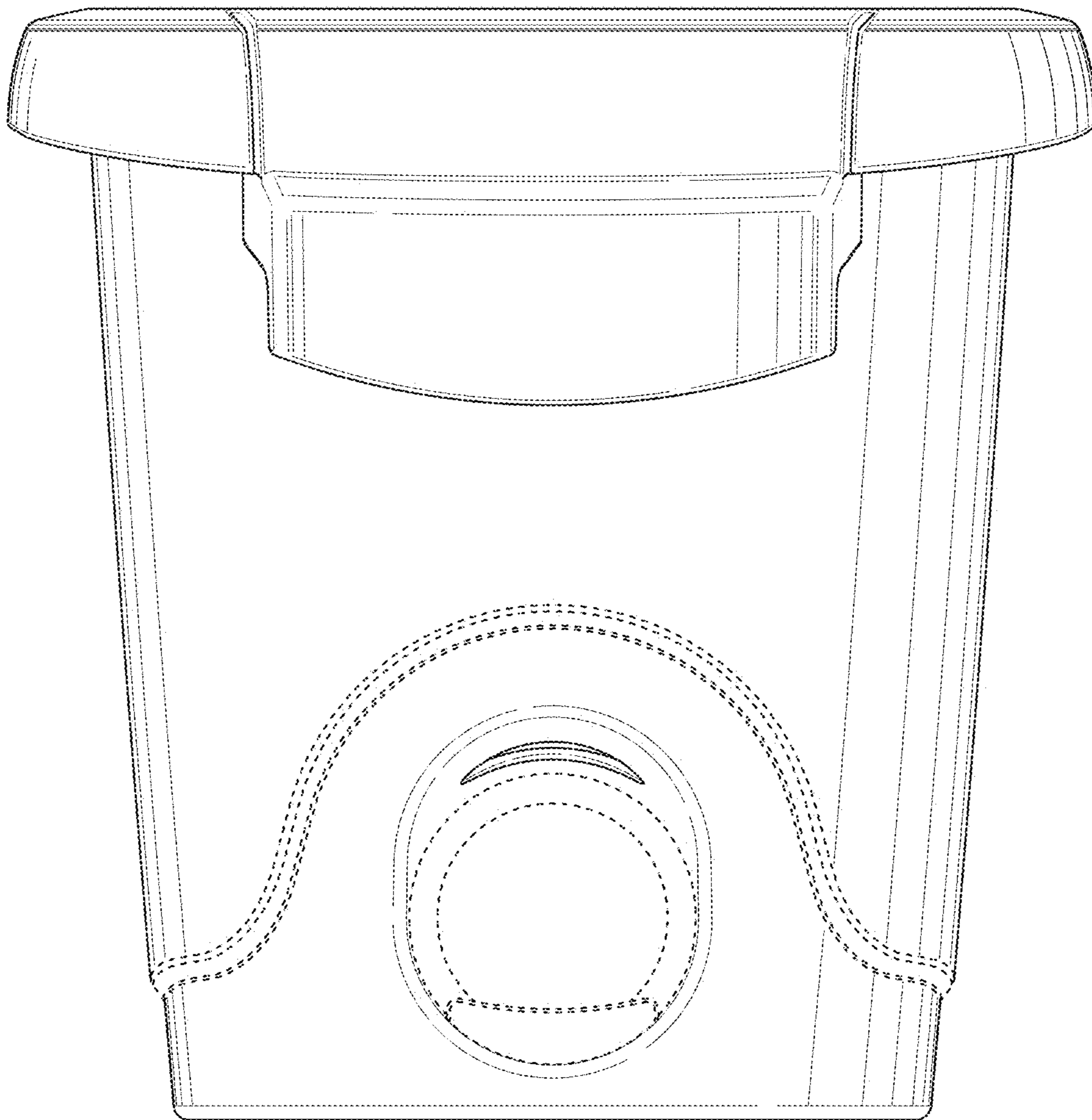
1.1



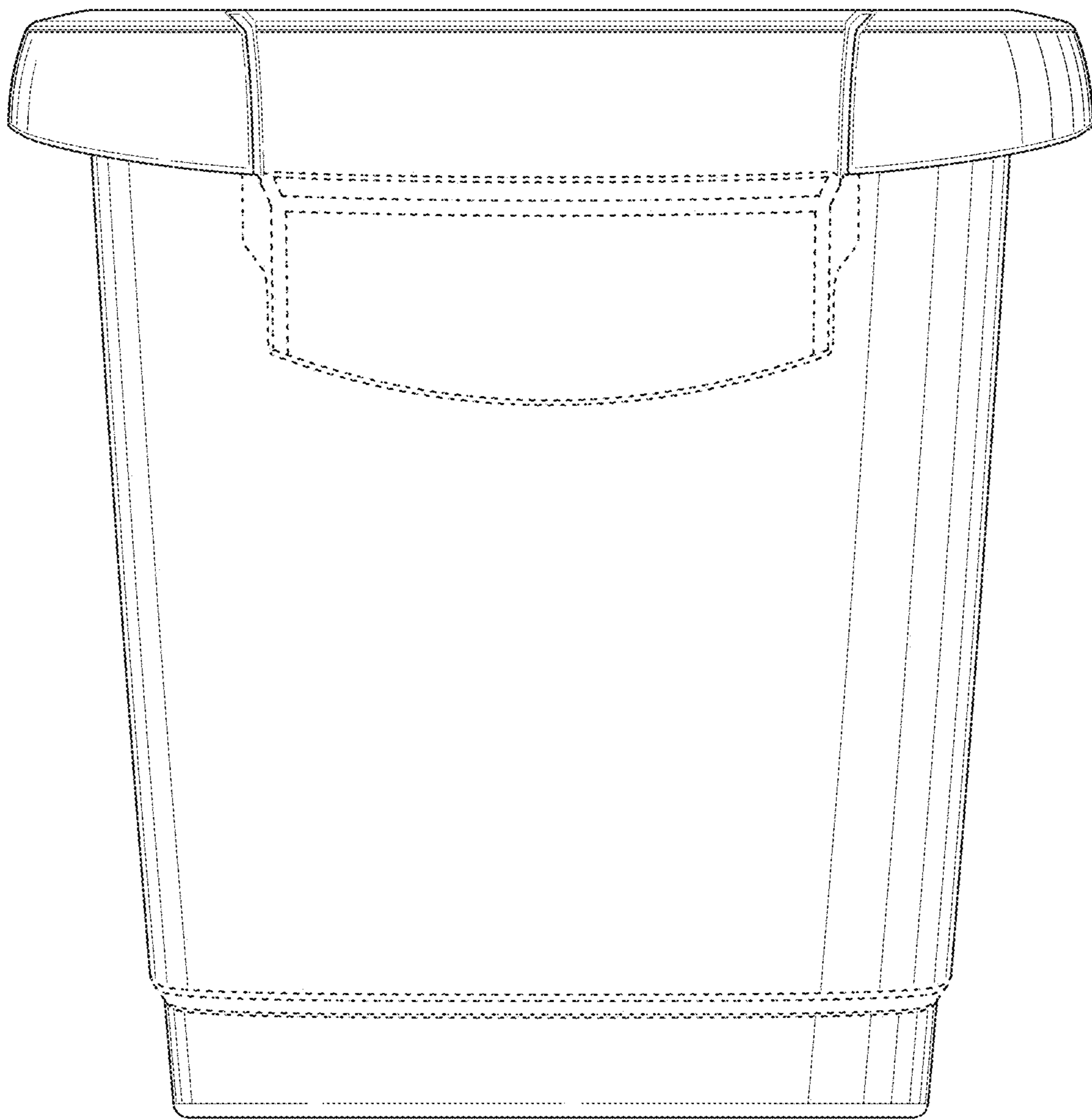
1.2



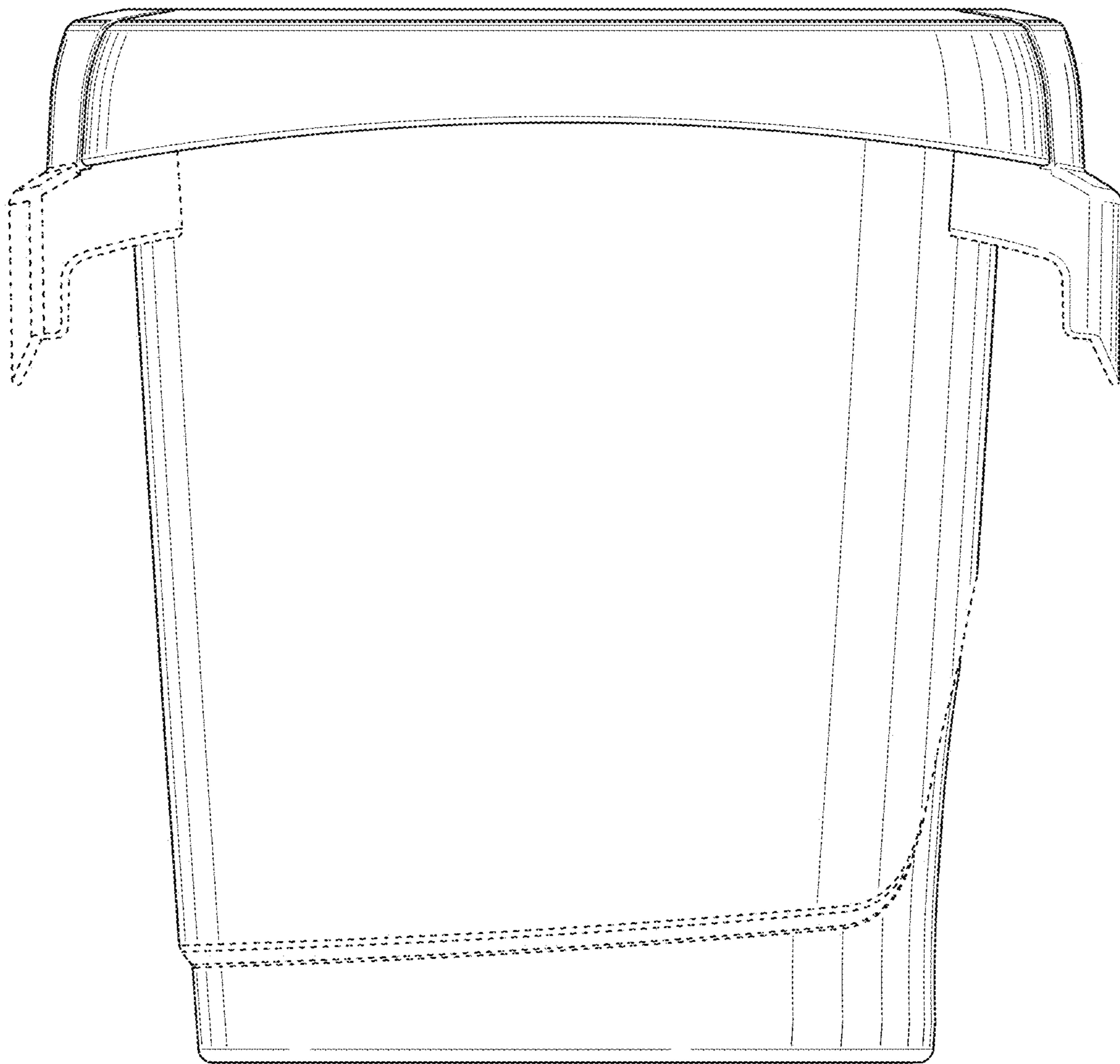
1.3



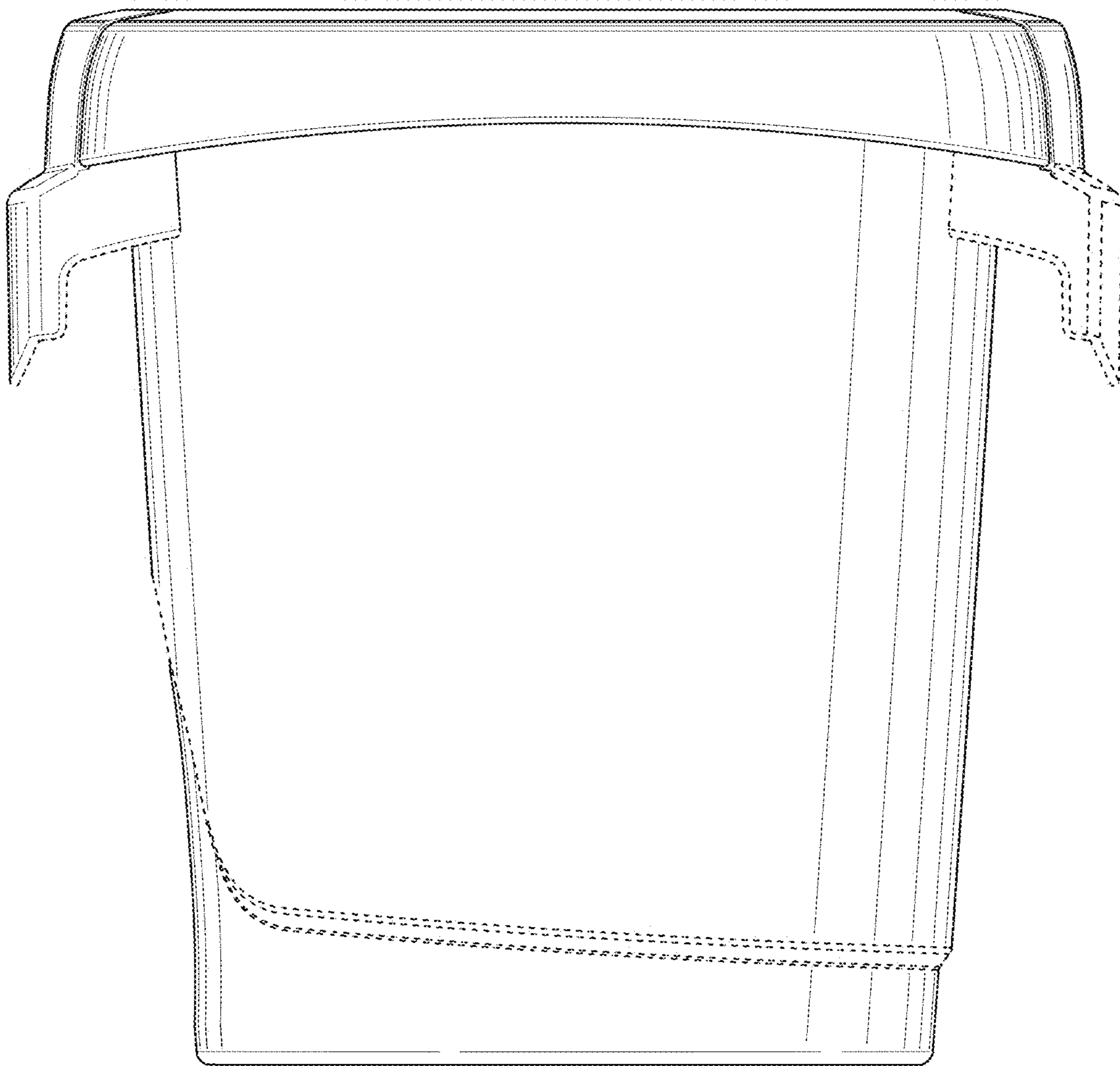
1.4



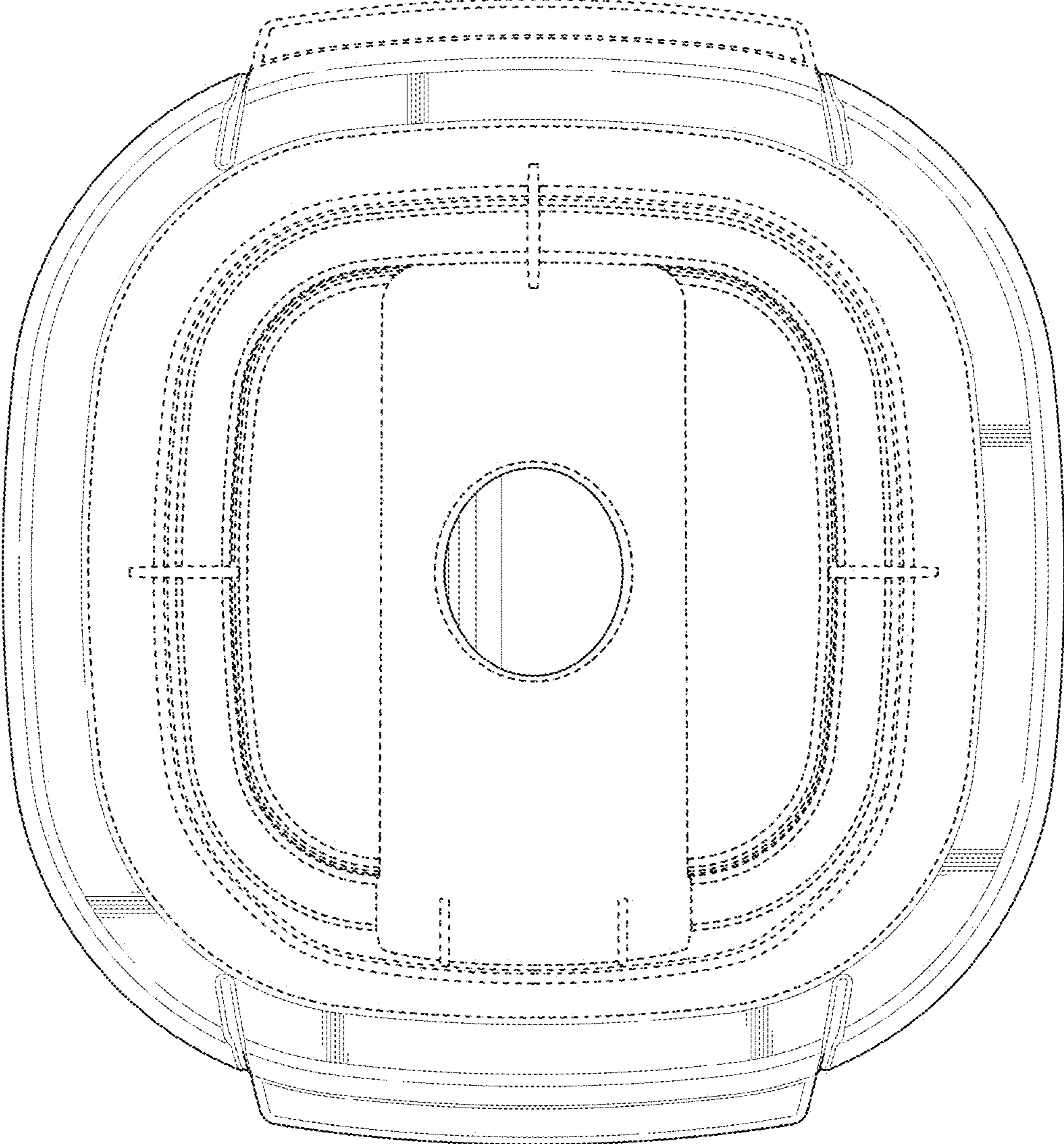
1.5



1.6



1.7



1.8

