



US00D958469S

(12) **United States Design Patent**  
**Bruxvoort**

(10) **Patent No.:** **US D958,469 S**

(45) **Date of Patent:** **\*\* Jul. 19, 2022**

(54) **ICE CREAM CONE DOG TOY**

(71) Applicant: **Jenna L. Bruxvoort**, Annapolis, MD  
(US)

(72) Inventor: **Jenna L. Bruxvoort**, Annapolis, MD  
(US)

(\*\*) Term: **15 Years**

(21) Appl. No.: **29/743,495**

(22) Filed: **Jul. 22, 2020**

(51) **LOC (13) Cl.** ..... **30-99**

(52) **U.S. Cl.**  
USPC ..... **D30/160**

(58) **Field of Classification Search**  
USPC ..... D30/160, 112, 119; D21/386, 398, 484,  
D21/707, 712, 713; D24/193, 194, 195,  
D24/211, 212, 214; D1/125, 126, 127,  
D1/116-119

CPC ..... A01K 15/025; A01K 15/026  
See application file for complete search history.

(56) **References Cited**

**U.S. PATENT DOCUMENTS**

D153,352 S *	4/1949	Halset	D1/118
D153,354 S *	4/1949	Heyman	D1/118
D157,047 S *	1/1950	Heyman	D1/118
D157,048 S *	1/1950	Heyman	D1/118
3,736,697 A *	6/1973	Keces	A63H 33/32 446/70
D256,958 S *	9/1980	Markham	D30/160
D298,902 S *	12/1988	Pomroy	D7/565
D319,912 S *	9/1991	Buttermann, Jr.	D1/116
D319,913 S *	9/1991	George	426/514
D418,638 S *	1/2000	Arnold	D30/160

D434,204 S *	11/2000	MacPhee	D1/101
D442,762 S *	5/2001	MacPhee	D1/101
D460,587 S *	7/2002	Huettner	D30/160
D499,227 S *	12/2004	Chilles	D1/118
D517,421 S *	3/2006	Terrasi	D1/116
D732,971 S *	6/2015	Serra	D9/429
D793,026 S *	8/2017	Berman	D1/118
D822,941 S *	7/2018	Tarquini	D1/106
D845,581 S *	4/2019	von Borstel	D1/130

\* cited by examiner

*Primary Examiner* — Sheryl Lane

*Assistant Examiner* — Aula Soroush

(74) *Attorney, Agent, or Firm* — Dale J. Ream

(57) **CLAIM**

The ornamental design for an ice cream cone dog toy, as shown and described.

**DESCRIPTION**

FIG. 1 is a perspective view of an ice cream cone dog toy showing my new design;

FIG. 2 is a front elevation view thereof;

FIG. 3 is a top plan view thereof;

FIG. 4 is a bottom plan view thereof;

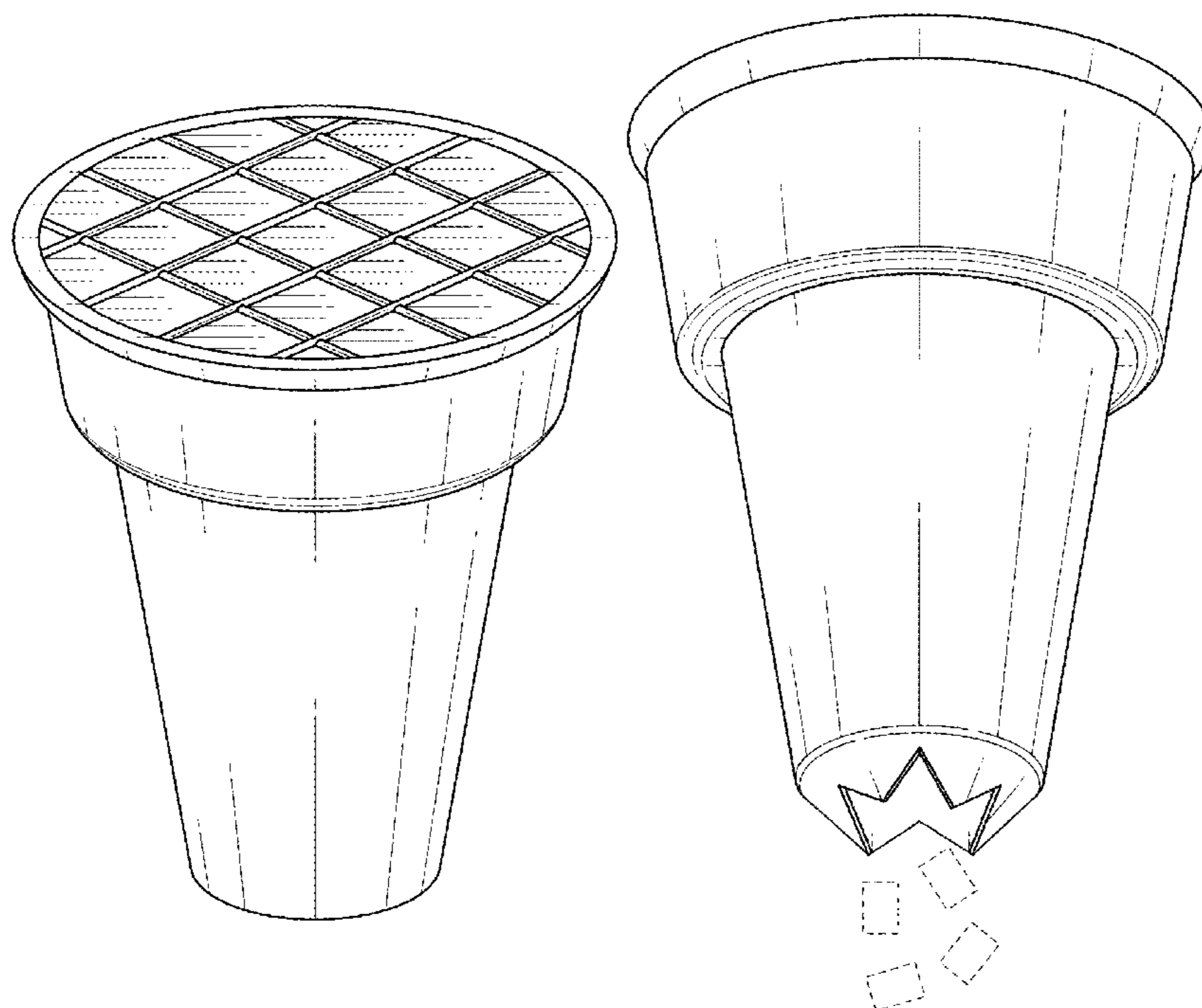
FIG. 5 is a sectional view taken along line 5-5 of FIG. 3 thereof;

FIG. 6 is a bottom perspective view in a retracted configuration; and,

FIG. 7 is a bottom perspective view in a deployed configuration.

The broken lines shown in FIG. 7 are illustrative of environmental structure and form no part of the claimed design.

**1 Claim, 6 Drawing Sheets**



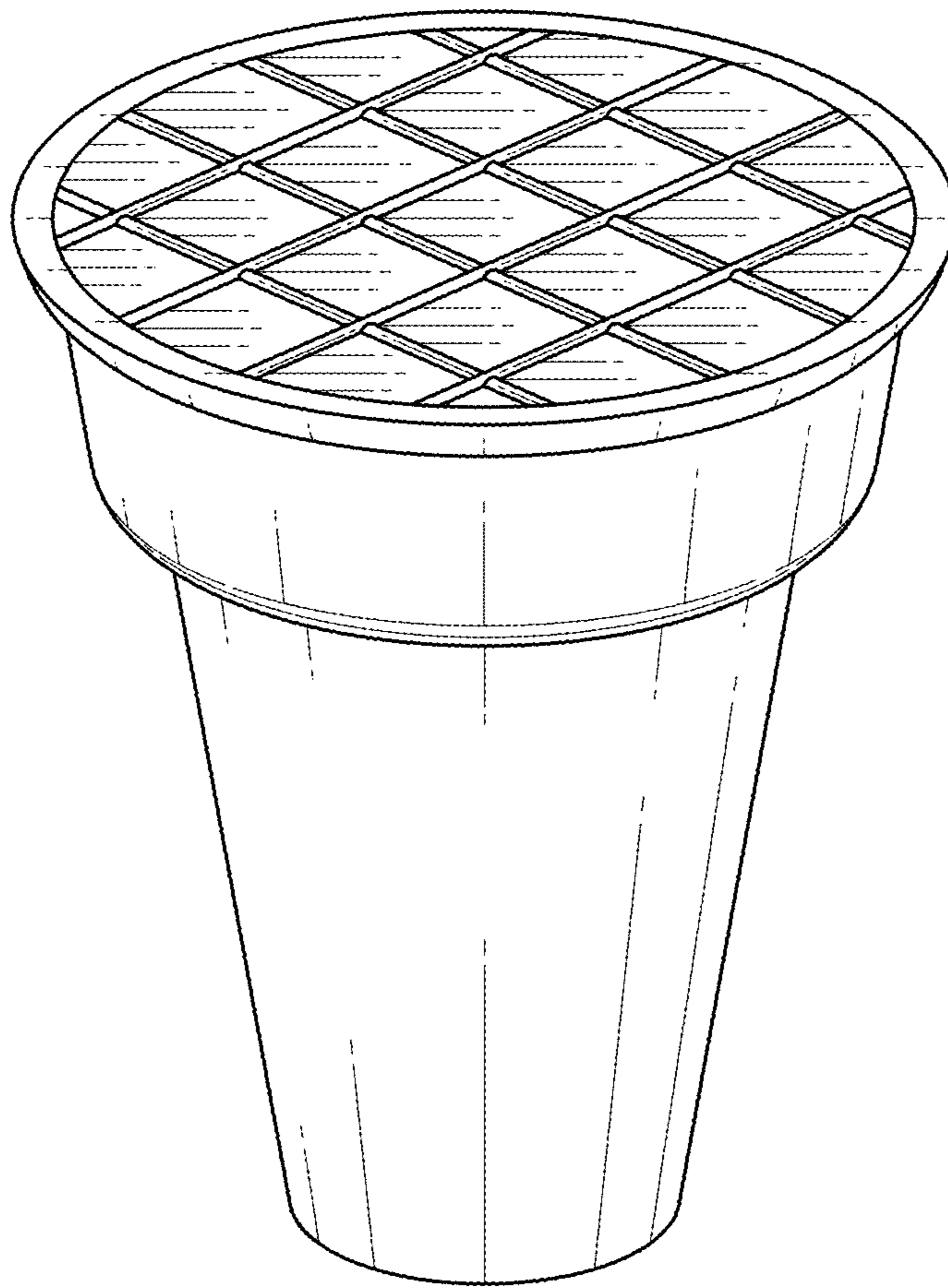


FIG. 1

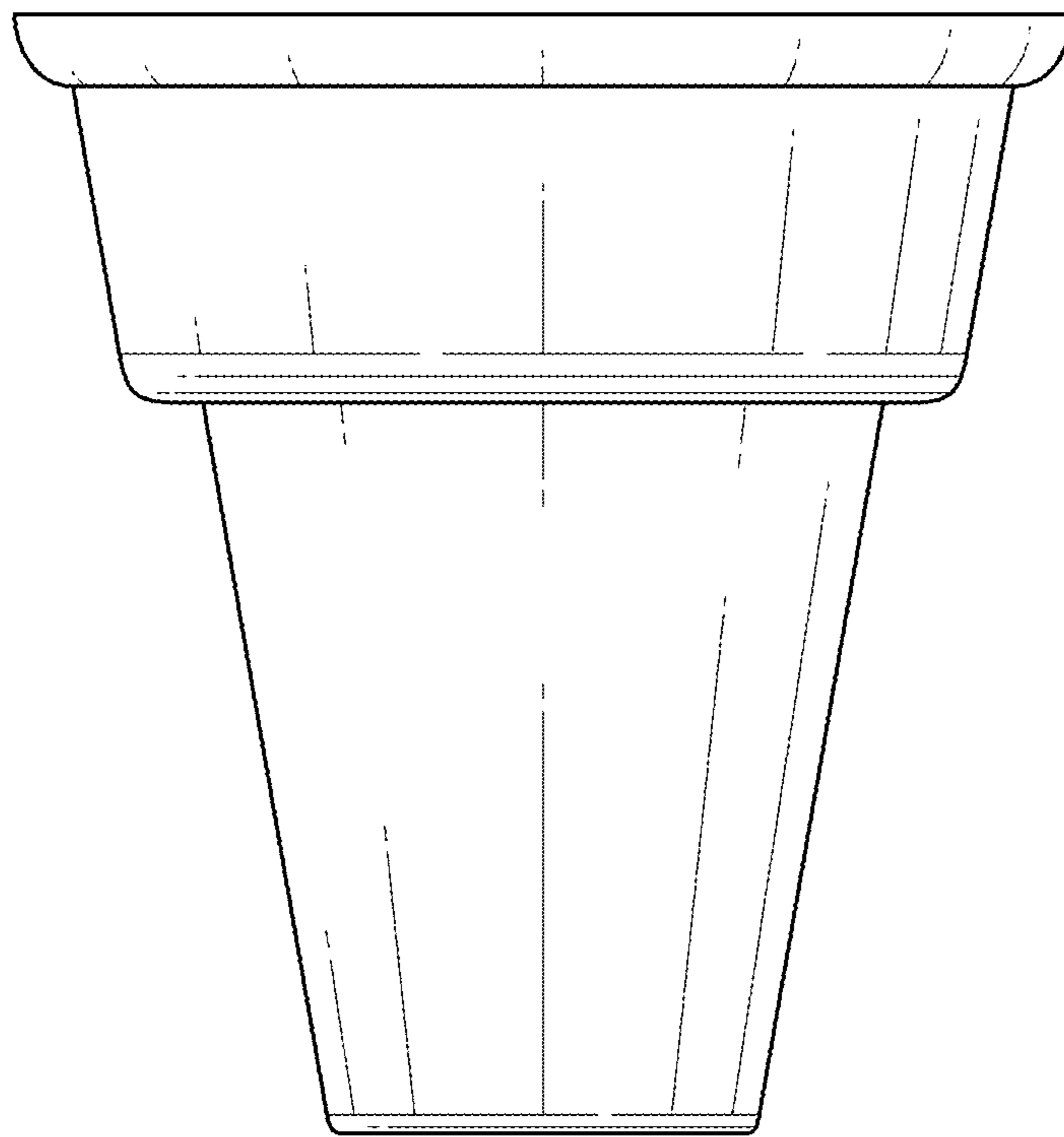


FIG. 2

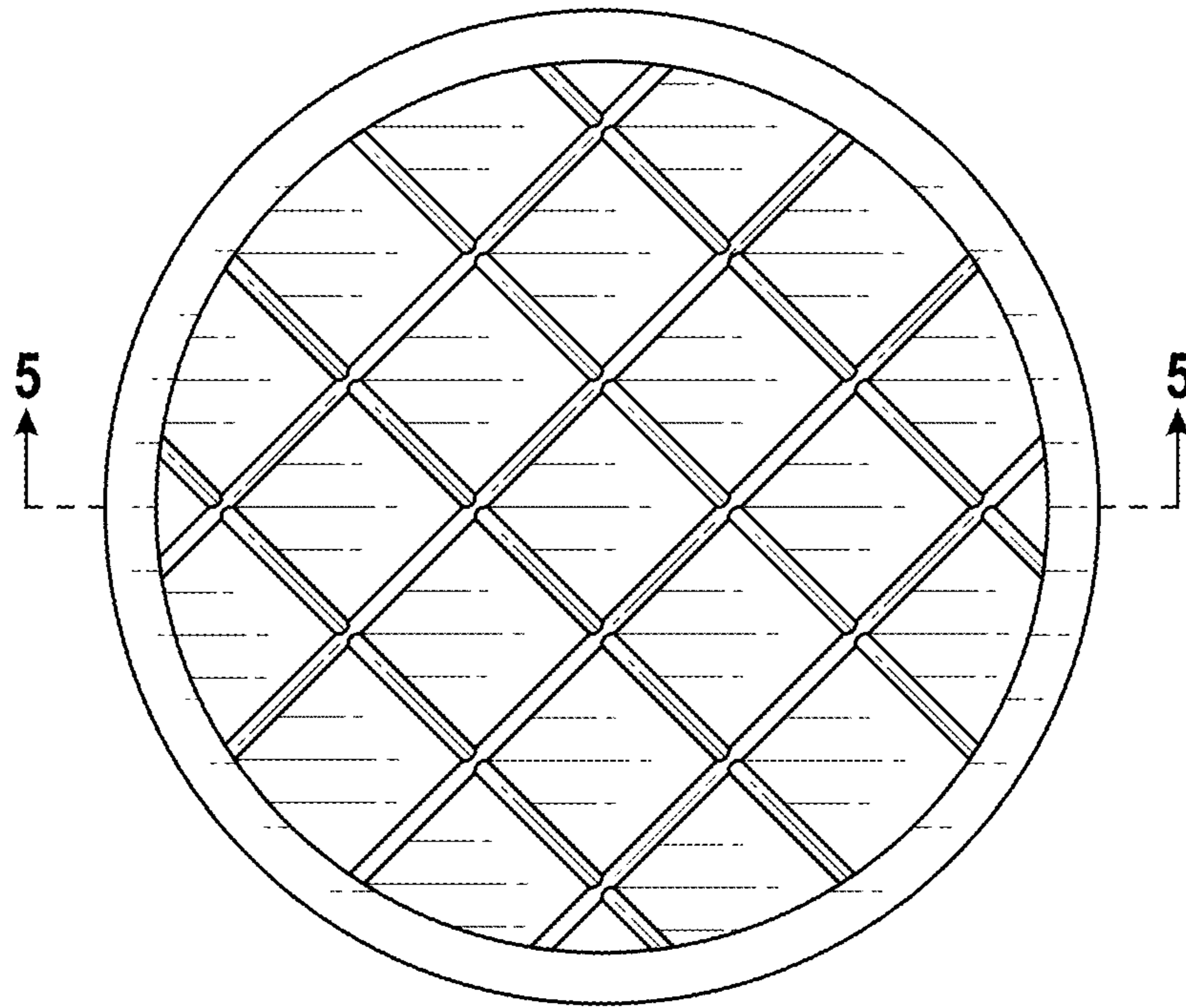


FIG. 3

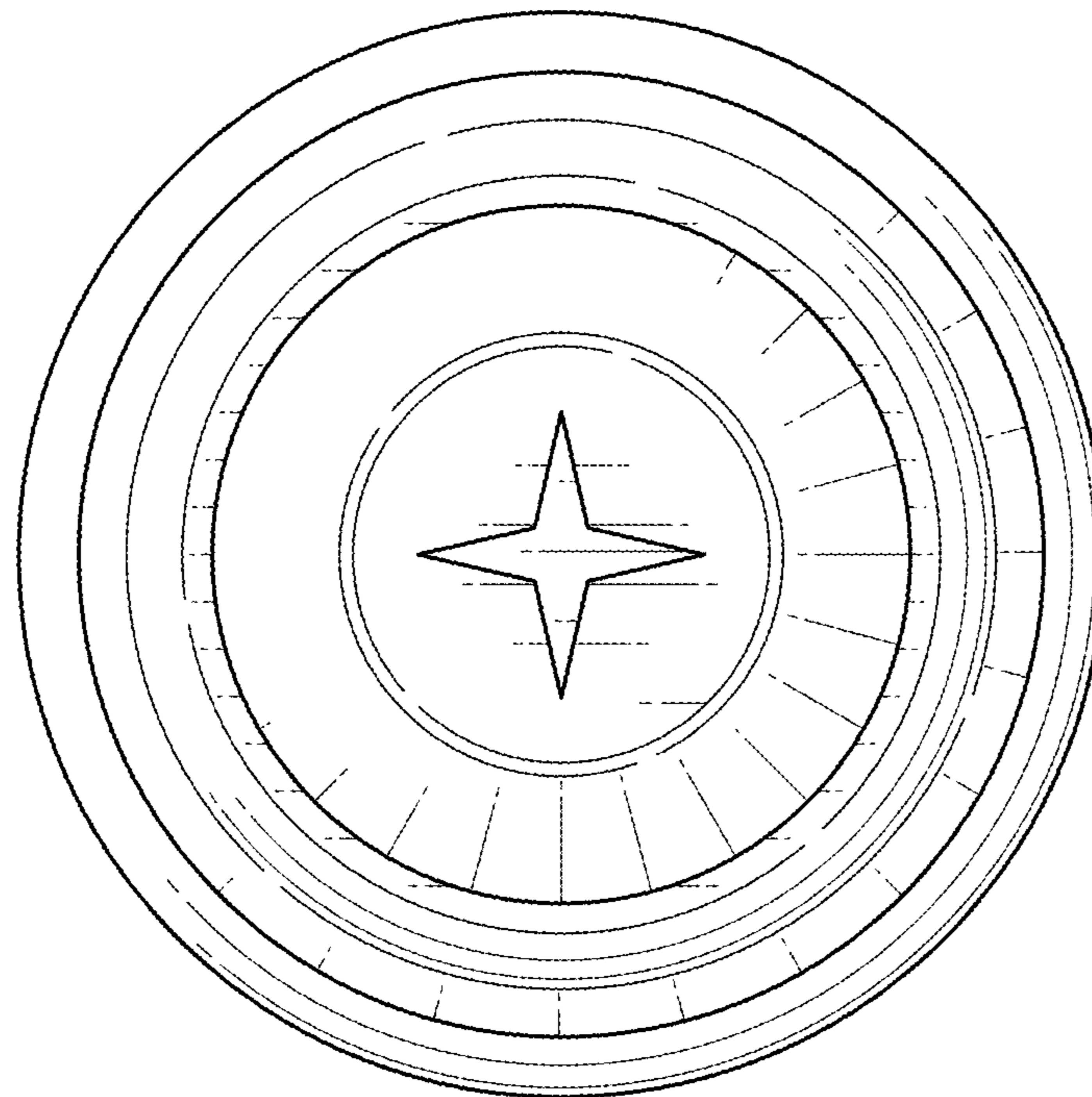


FIG. 4

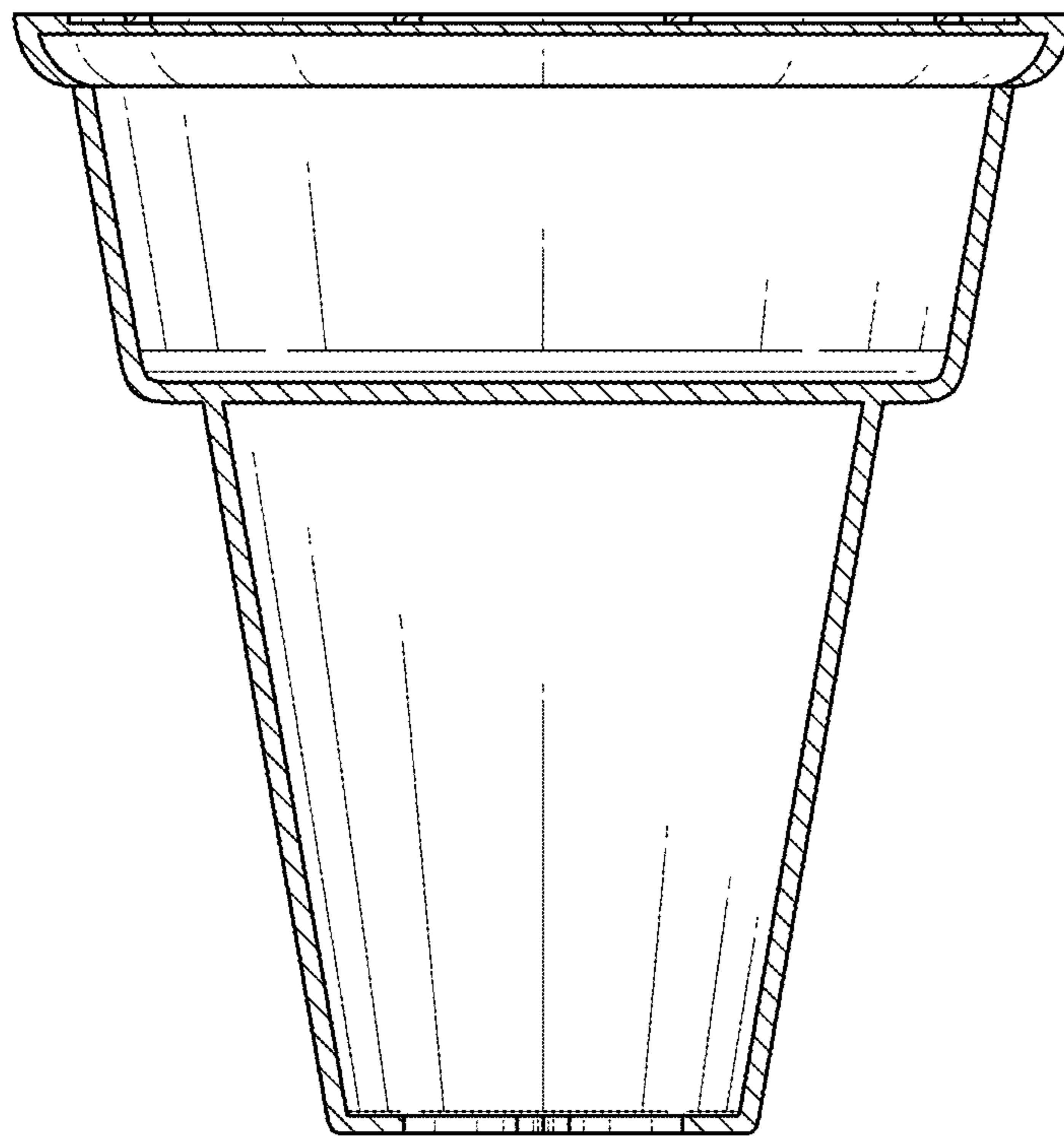


FIG. 5

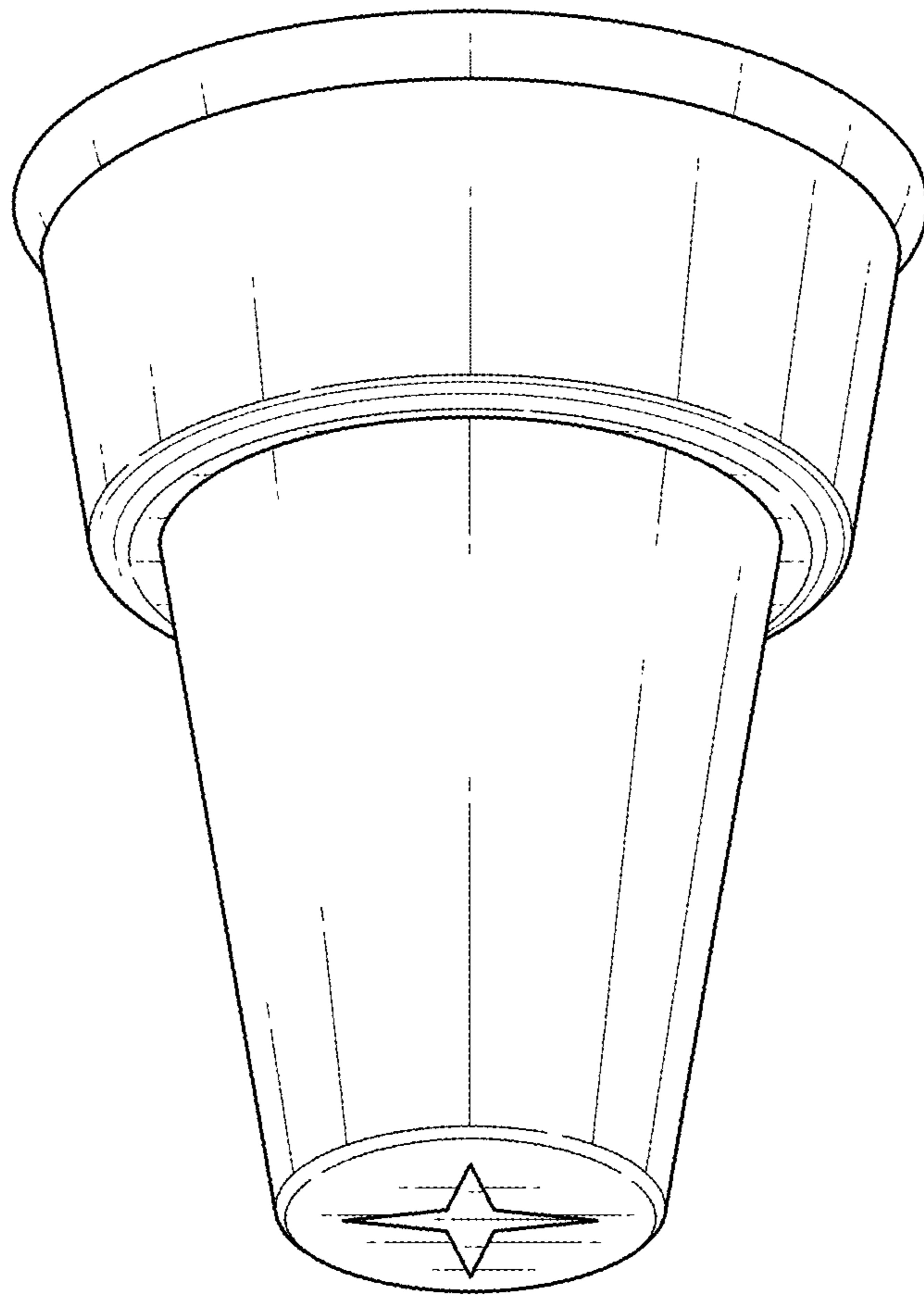


FIG. 6

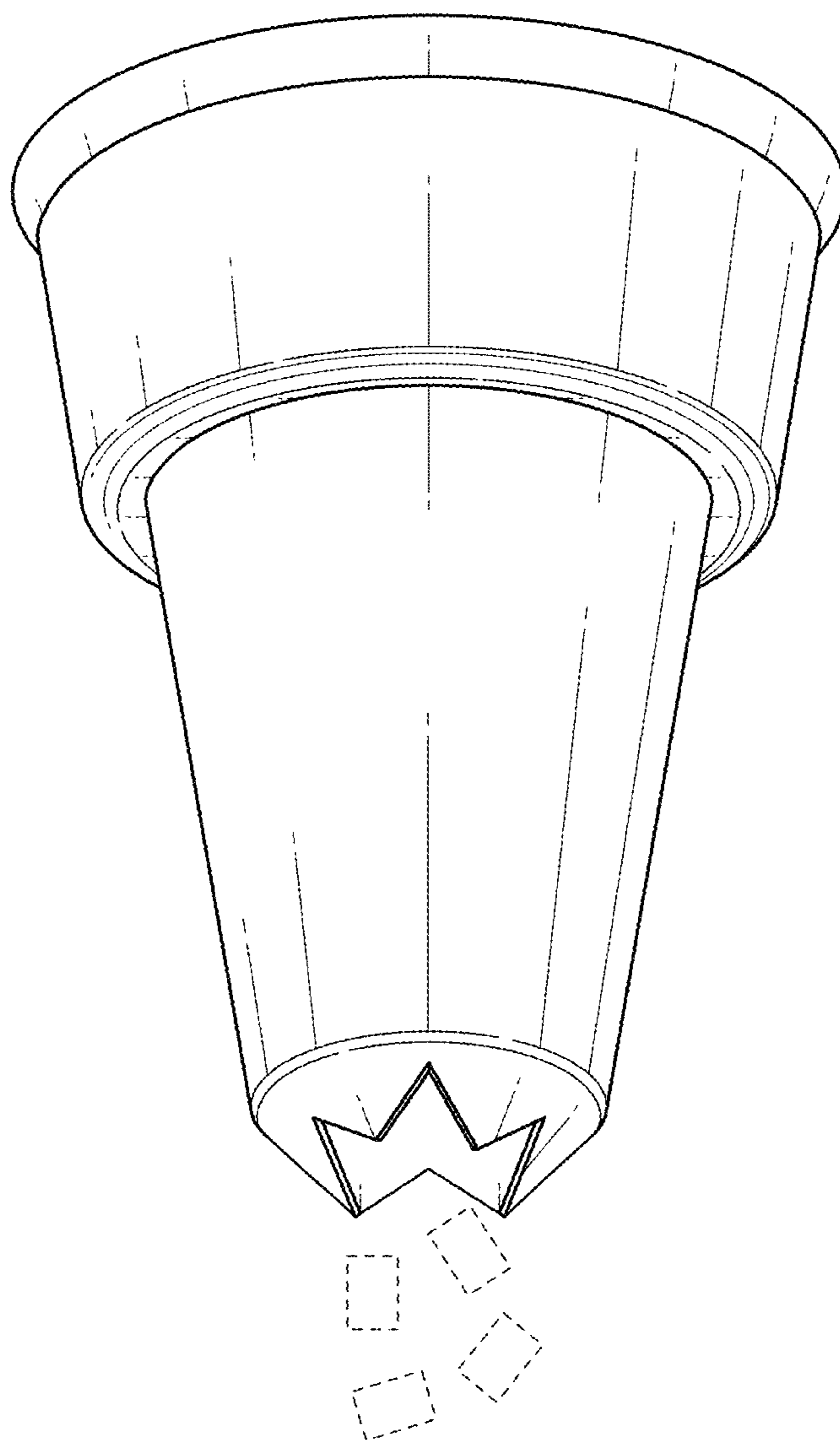


FIG. 7