



US00D958467S

(12) **United States Design Patent**  
**Maile et al.**

(10) **Patent No.:** **US D958,467 S**  
(45) **Date of Patent:** **\*\* Jul. 19, 2022**

(54) **FISH FEEDING APPARATUS**

(71) Applicant: **ALGAEBARN, LLC**, Commerce City, CO (US)

(72) Inventors: **Alex John Maile**, Avon, MN (US);  
**Sean Lance Tadjeran**, Commerce City, CO (US)

(73) Assignee: **ALGAEBARN, LLC**, Commerce City, CO (US)

(\*\*) Term: **15 Years**

(21) Appl. No.: **29/818,180**

(22) Filed: **Dec. 7, 2021**

**Related U.S. Application Data**

(60) Division of application No. 29/744,129, filed on Jul. 27, 2020, now Pat. No. Des. 945,080, which is a (Continued)

(51) **LOC (13) Cl.** ..... **30-03**

(52) **U.S. Cl.**  
USPC ..... **D30/121; D30/106**

(58) **Field of Classification Search**  
USPC ..... D30/106, 121, 131, 133, 108, 109, 199;  
119/51.04, 6.7, 256, 702, 60, 65, 51.01,  
(Continued)

(56) **References Cited**

**U.S. PATENT DOCUMENTS**

423,997 A \* 3/1890 Henrichsen ..... A01C 17/00  
239/660  
2,711,714 A \* 6/1955 Timeus ..... A01K 61/85  
119/6.7

(Continued)

*Primary Examiner* — Susan Moon Lee

(74) *Attorney, Agent, or Firm* — Heath Briggs; Greenberg Traurig, LLP

(57) **CLAIM**

The ornamental design for a fish feeding apparatus, as shown and described.

**DESCRIPTION**

FIG. 1 is a perspective view of a first embodiment of a fish feeding apparatus.

FIG. 2 is a front side view of the fish feeding apparatus of FIG. 1.

FIG. 3 is a right side view of the fish feeding apparatus of FIG. 1.

FIG. 4 is a top view of the fish feeding apparatus of FIG. 1.

FIG. 5 is a bottom view of the fish feeding apparatus of FIG. 1.

FIG. 6 is an exploded view of the fish feeding apparatus of FIG. 1.

FIG. 7 is a top perspective view of the tubular member of the fish feeding apparatus, shown separately for clarity.

FIG. 8 is a side view of the tubular member of FIG. 7.

FIG. 9 is a top view of the tubular member of FIG. 7.

FIG. 10 is a bottom view of the tubular member of FIG. 7.

FIG. 11 is a top perspective view of the insert of the fish feeding apparatus, shown separately for clarity.

FIG. 12 is a front side view of the insert of FIG. 11.

FIG. 13 is a right side view of the insert of FIG. 11.

FIG. 14 is a top view of the insert of FIG. 11.

FIG. 15 is a bottom view of the insert of FIG. 11.

FIG. 16 is a perspective view of the feeding tray of the fish feeding apparatus, shown separately for clarity.

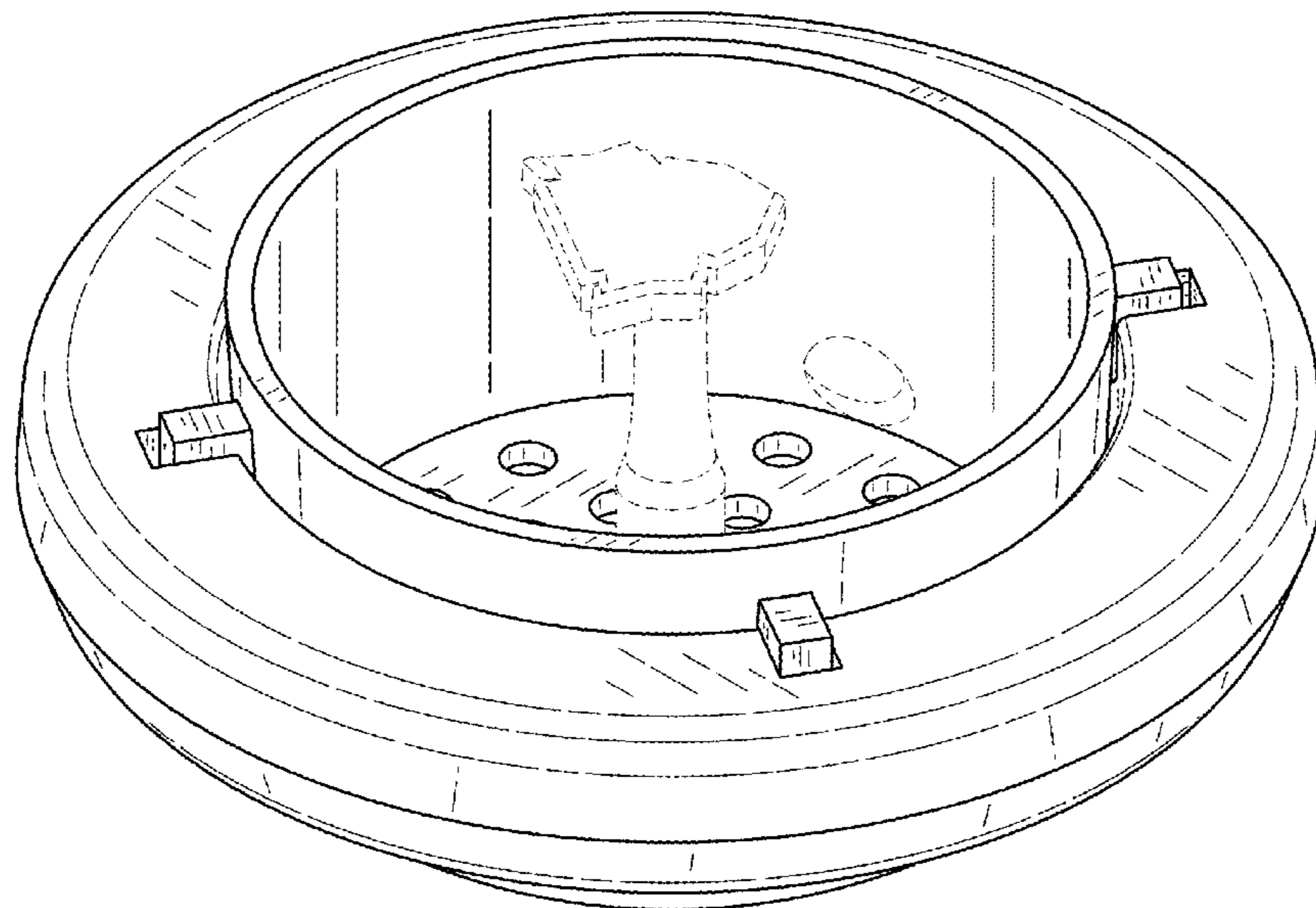
FIG. 17 is a front side view of the feeding tray of FIG. 16.

FIG. 18 is a top view of the feeding tray of FIG. 16; and,

FIG. 19 is a bottom view of the feeding tray of FIG. 16.

The broken lines in the figures show portions illustrating environmental structures that form no part of the claimed design.

**1 Claim, 19 Drawing Sheets**



**Related U.S. Application Data**

continuation of application No. 16/773,381, filed on Jan. 27, 2020.

(58) **Field of Classification Search**

USPC ..... 119/61.1, 58, 59, 66, 67, 51.5, 68, 69; 220/4.22, 480; 229/120, 120.1; D7/409, D7/601; 211/181.1; 414/24.5; D3/205, D3/301, 276, 290, 291, 900, 901; 190/18 A, 100, 109, 107, 127, 900, 115; D22/121  
 CPC ..... A01K 61/85; A01K 61/80; A01K 61/53; A01K 63/006; Y02A 40/81; A01G 9/12  
 See application file for complete search history.

(56) **References Cited**

U.S. PATENT DOCUMENTS

2,761,422 A \* 9/1956 Martin ..... A01K 61/85  
 119/51.04  
 2,961,994 A \* 11/1960 Kopietz ..... A01K 61/80  
 43/44.99  
 3,095,852 A \* 7/1963 Goldman ..... A01K 61/85  
 119/51.04

4,328,916 A \* 5/1982 Lucas ..... A01K 65/00  
 224/103  
 4,903,429 A \* 2/1990 Tetenes ..... A01K 97/02  
 43/44.99  
 D348,753 S \* 7/1994 Stojanovski ..... D30/106  
 5,833,194 A \* 11/1998 Jones ..... B60N 3/106  
 248/311.2  
 7,174,849 B1 \* 2/2007 Hall ..... A01K 61/85  
 119/51.04  
 D588,869 S \* 3/2009 Rasmussen ..... D7/397  
 8,191,846 B2 \* 6/2012 Bresolin ..... A01K 63/006  
 248/205.5  
 8,887,668 B2 \* 11/2014 Lee ..... A01K 63/04  
 119/264  
 8,944,007 B2 \* 2/2015 Bagnall ..... A01K 61/85  
 119/61.5  
 9,968,961 B2 \* 5/2018 Chaves ..... B08B 3/02  
 10,405,525 B2 \* 9/2019 Yim ..... A01K 61/85  
 11,116,185 B2 \* 9/2021 Pfeiff ..... A01K 5/02  
 11,154,021 B1 \* 10/2021 Robinson ..... B63B 21/50  
 2009/0250011 A1 \* 10/2009 Biggs ..... A01G 9/12  
 119/246  
 2013/0284101 A1 \* 10/2013 Bagnall ..... A01K 61/85  
 119/61.57  
 2021/0227805 A1 \* 7/2021 Maile ..... A01K 61/85  
 2021/0259217 A1 \* 8/2021 Maile ..... A01K 61/85

\* cited by examiner

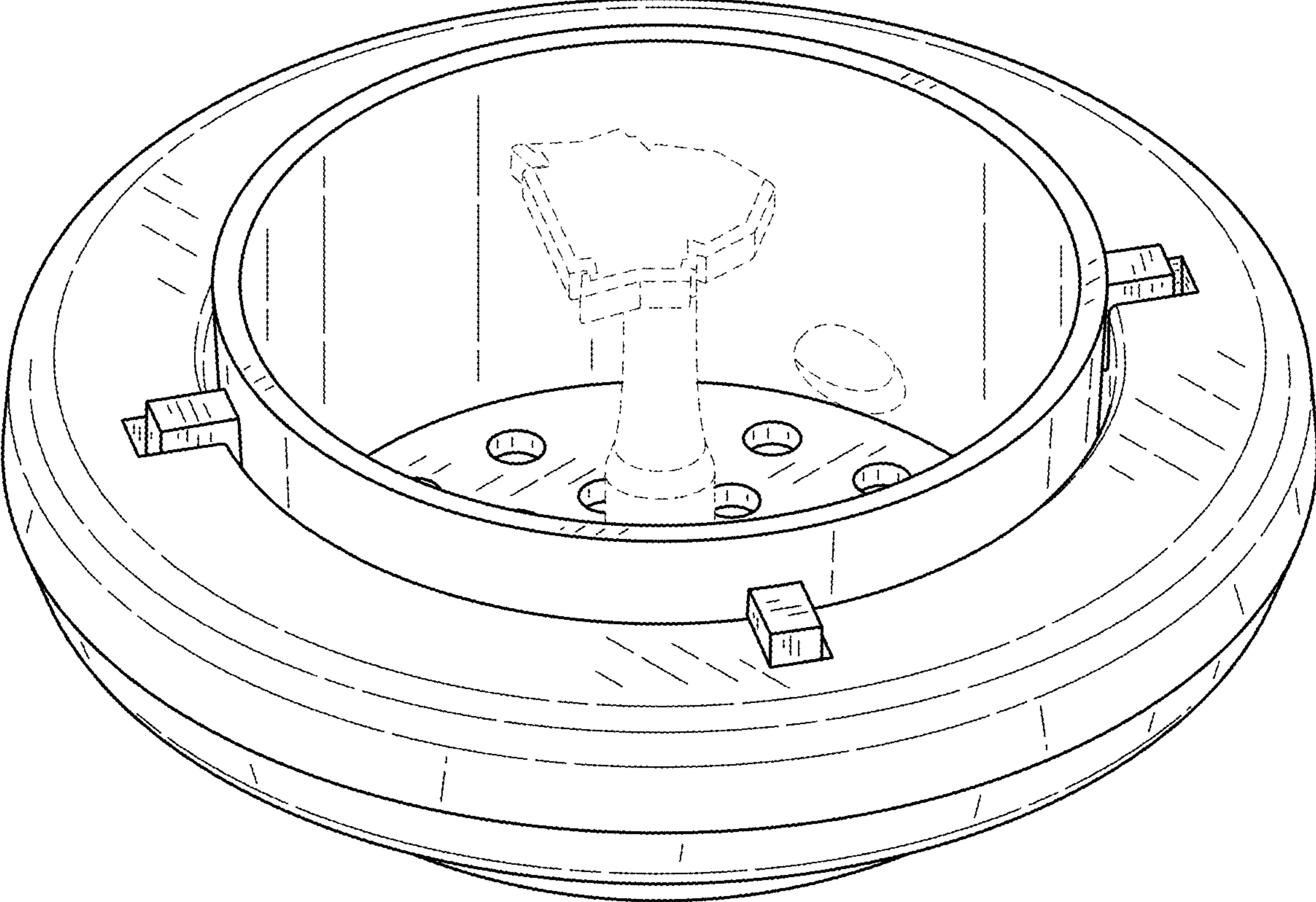


FIG.1

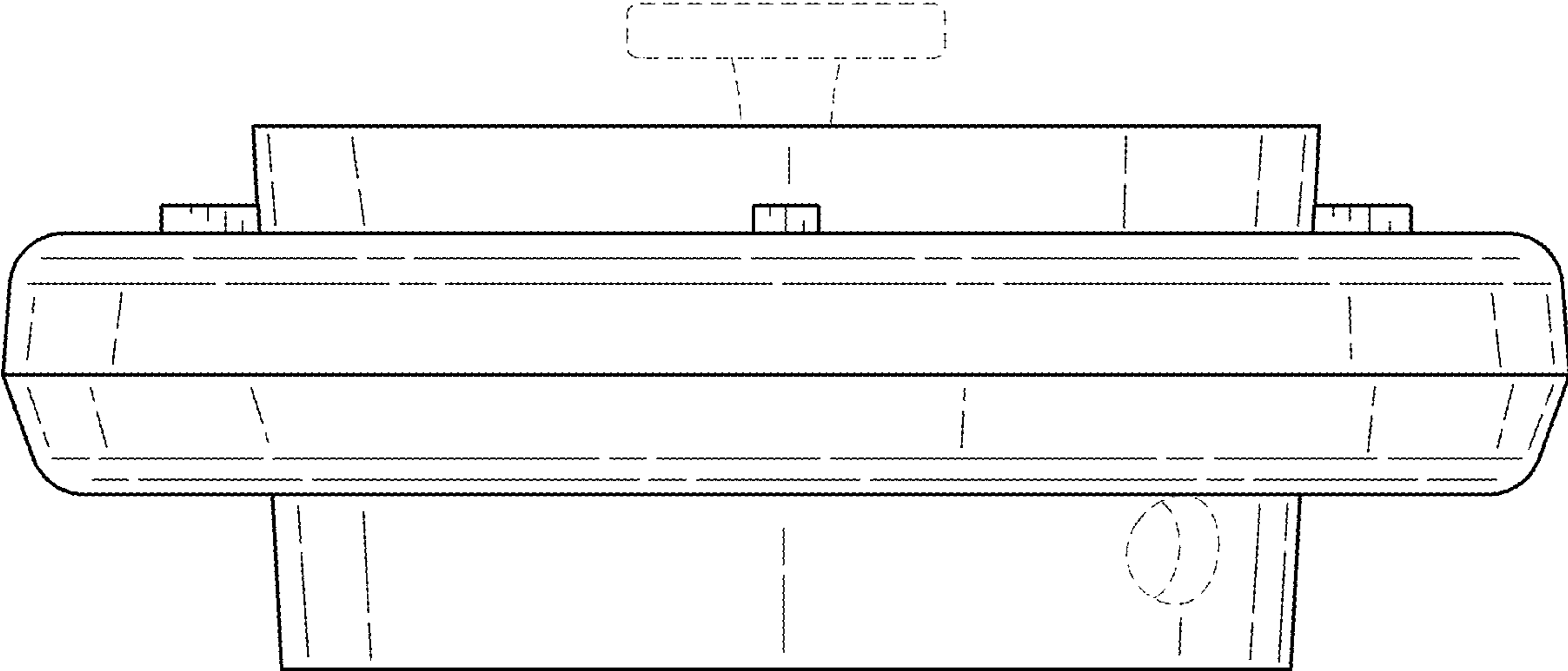


FIG. 2

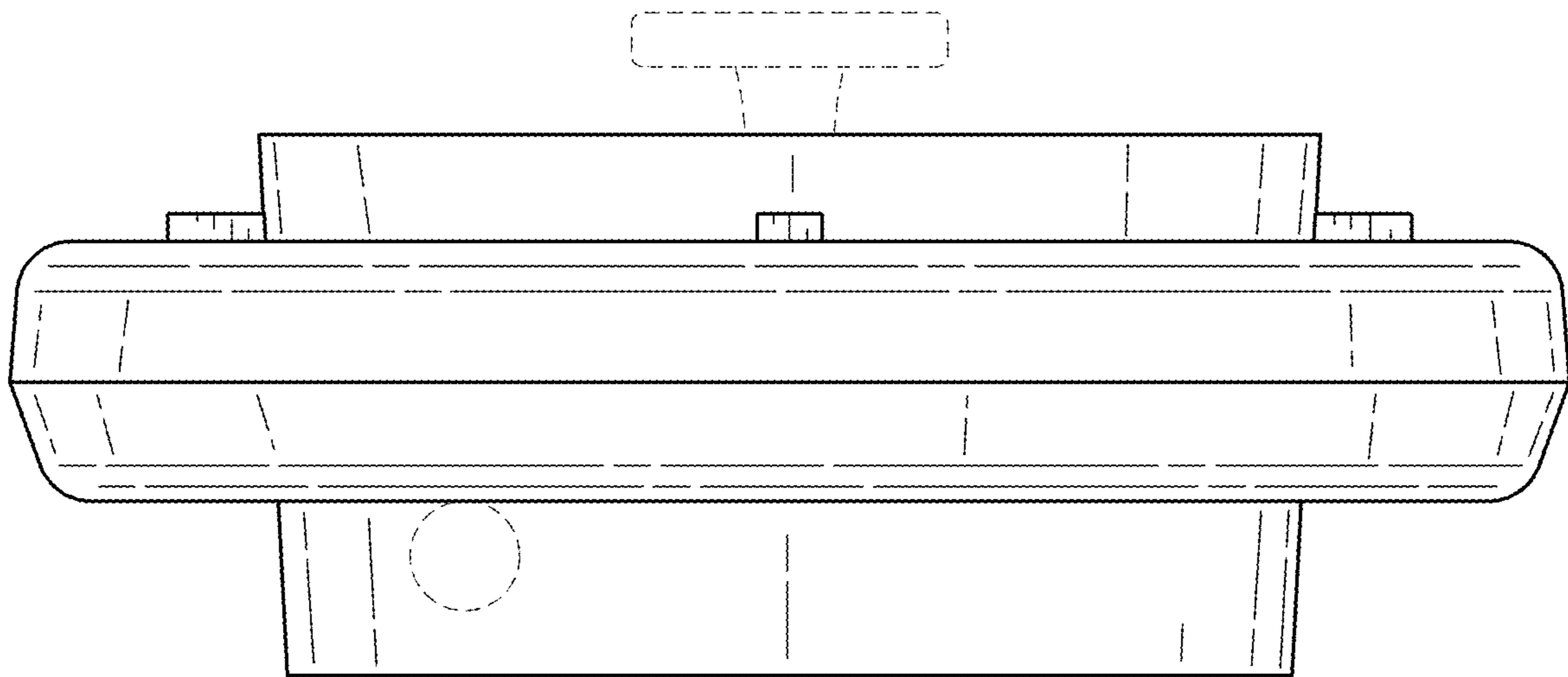


FIG.3

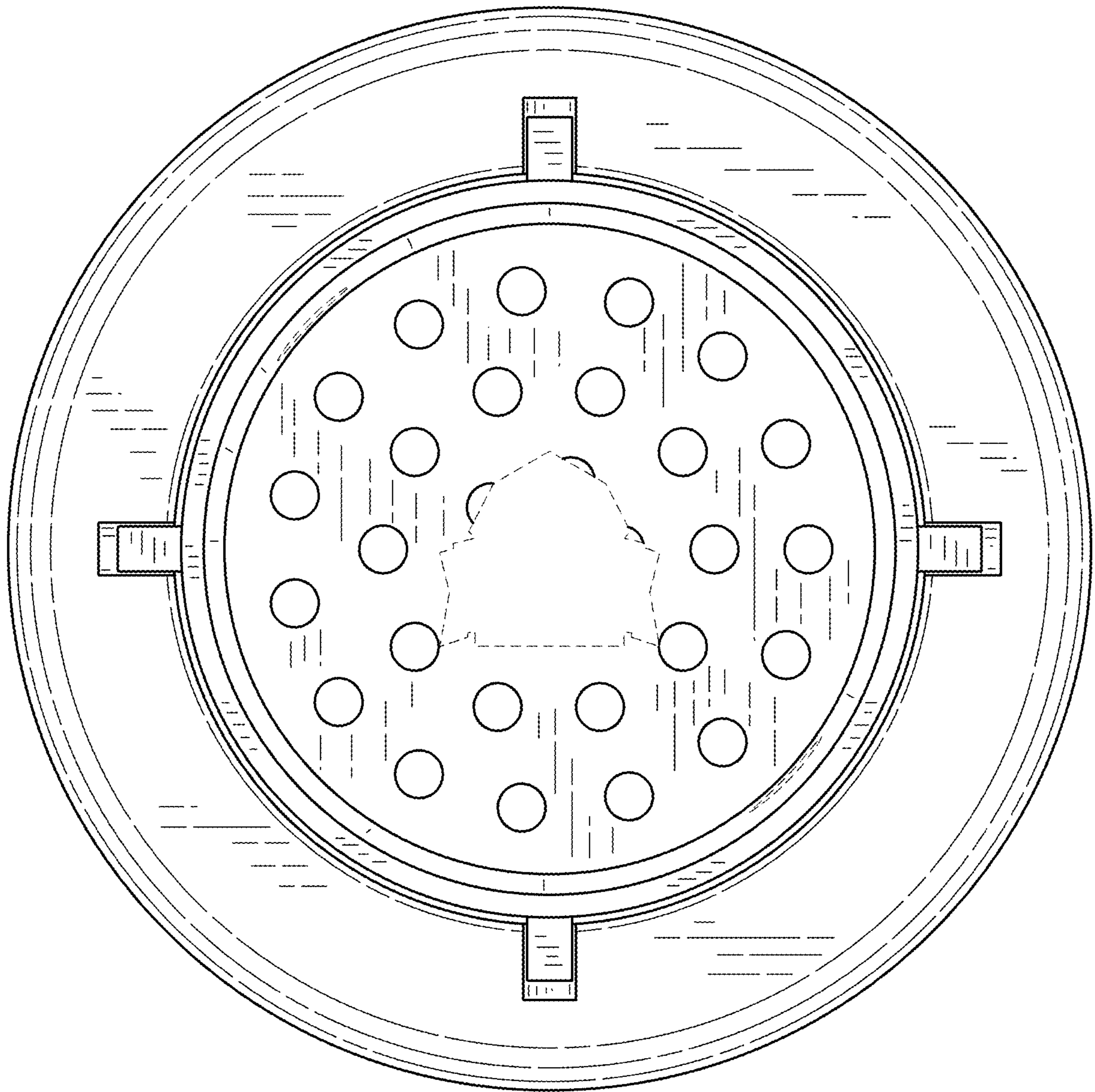


FIG.4

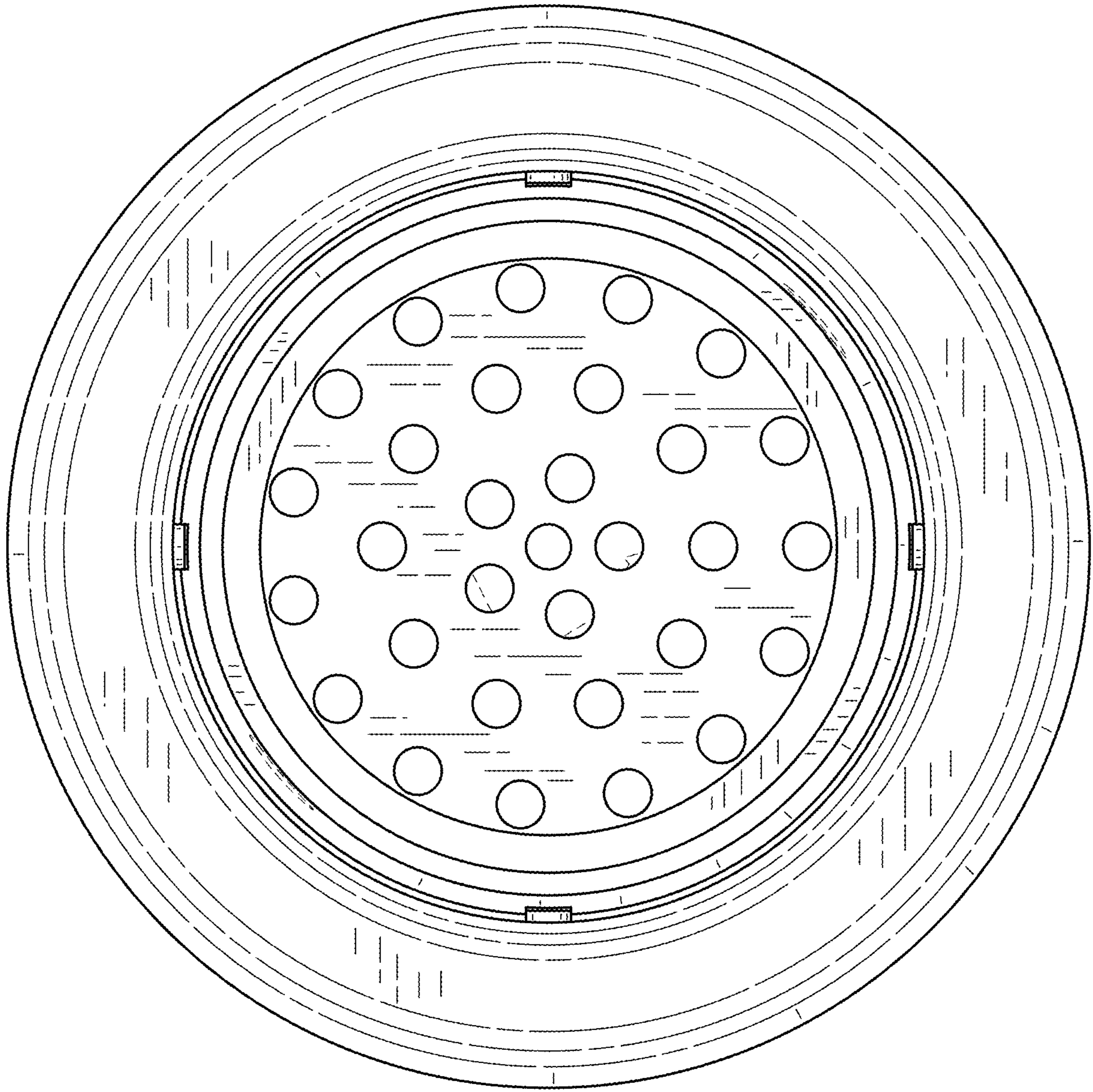


FIG.5

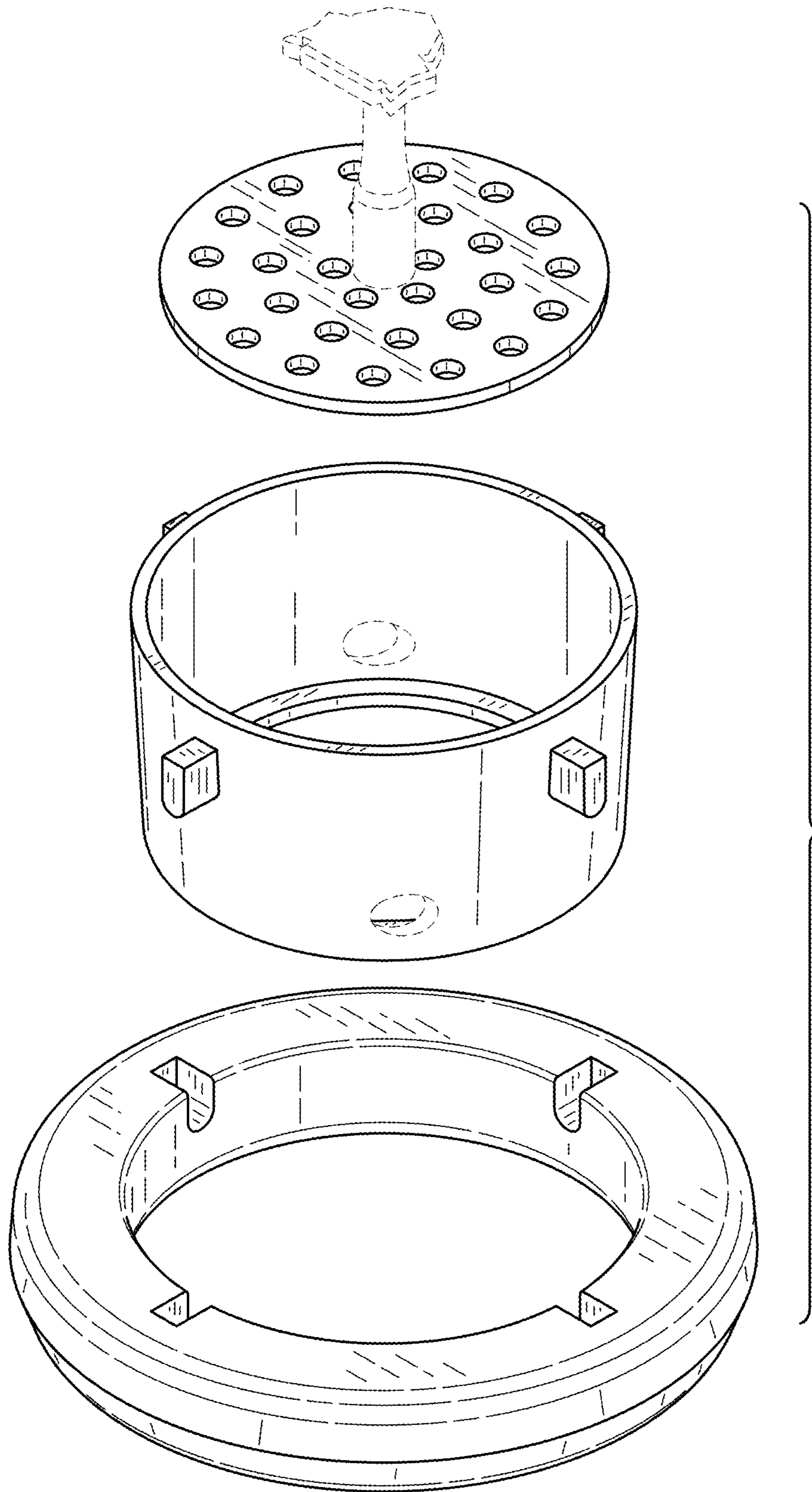


FIG.6



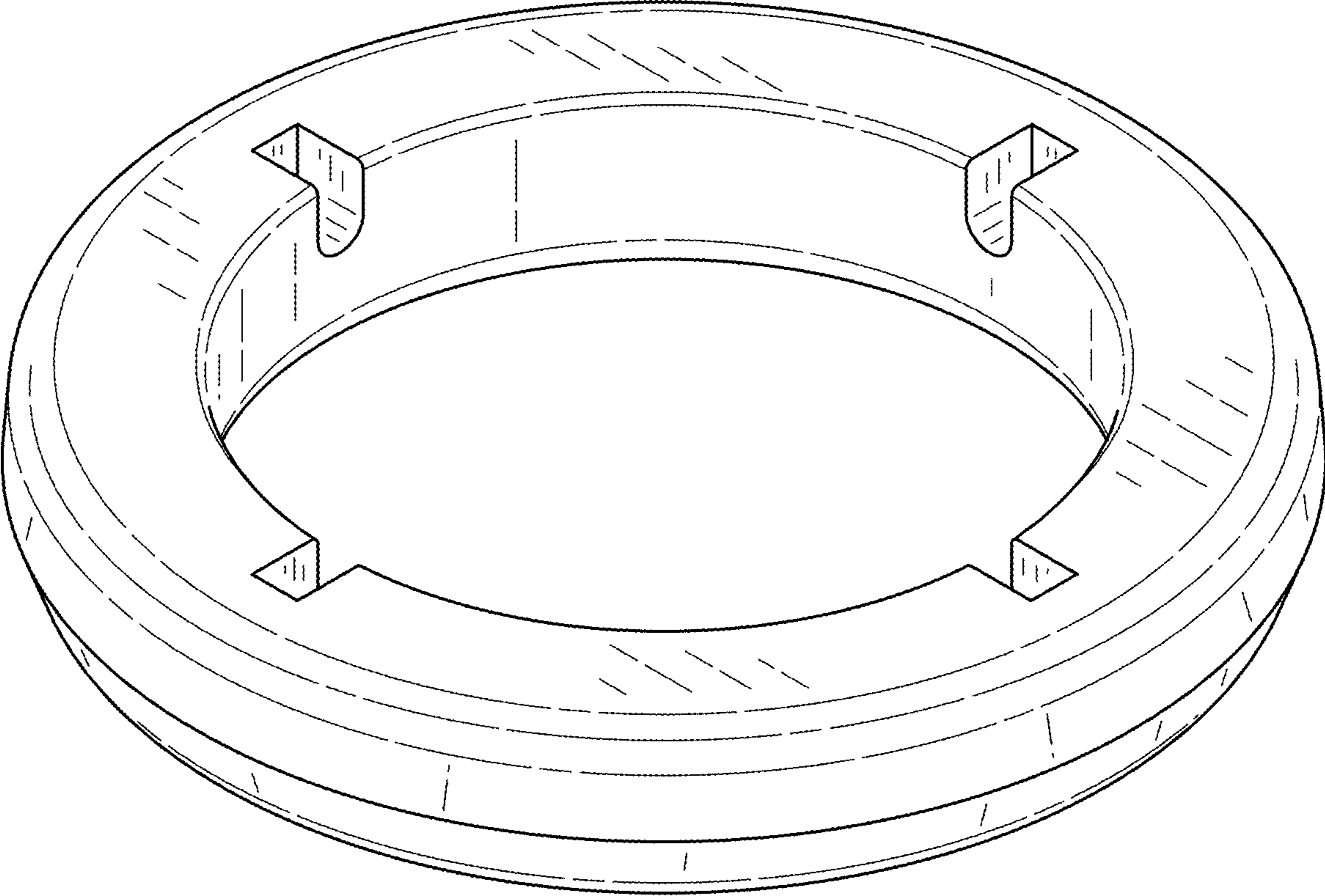


FIG.7

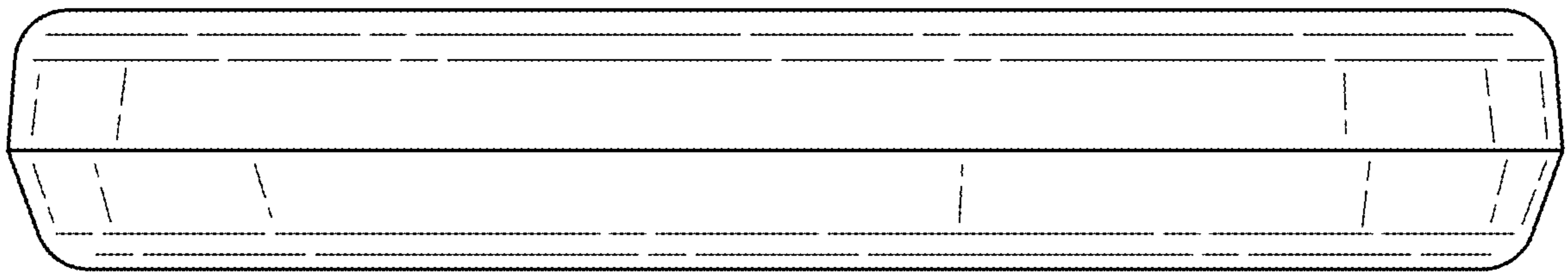


FIG.8

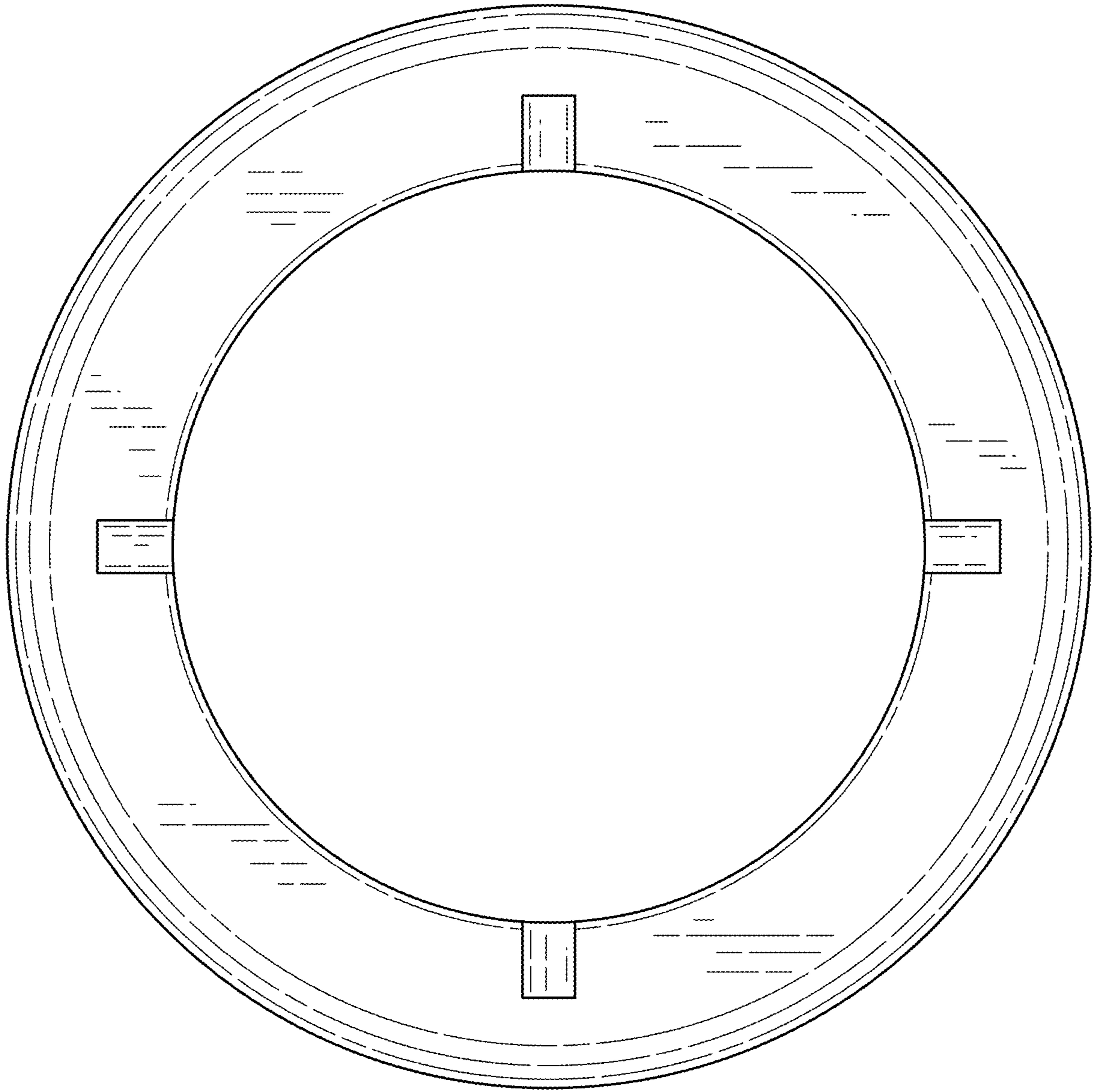


FIG.9

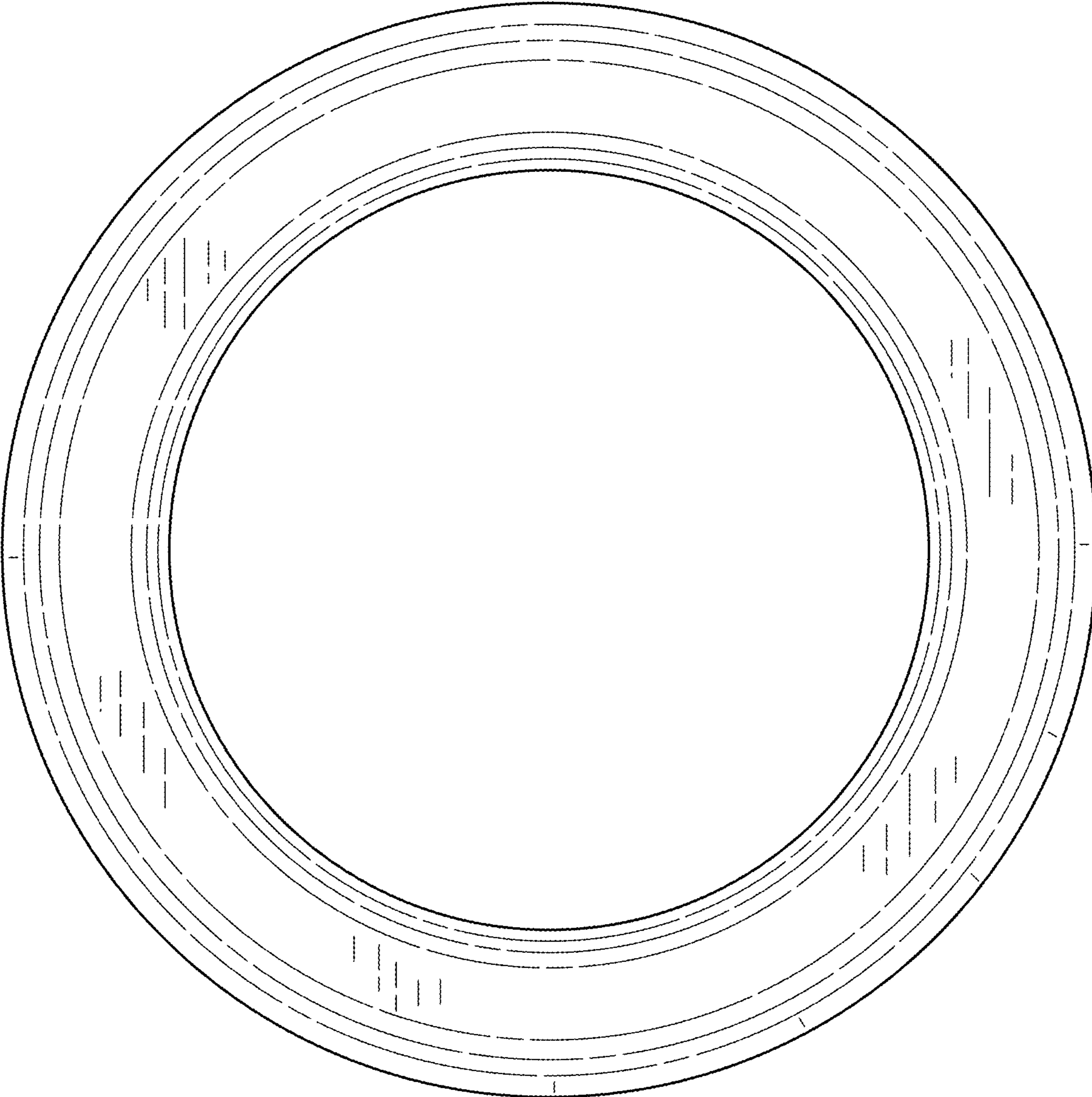


FIG.10

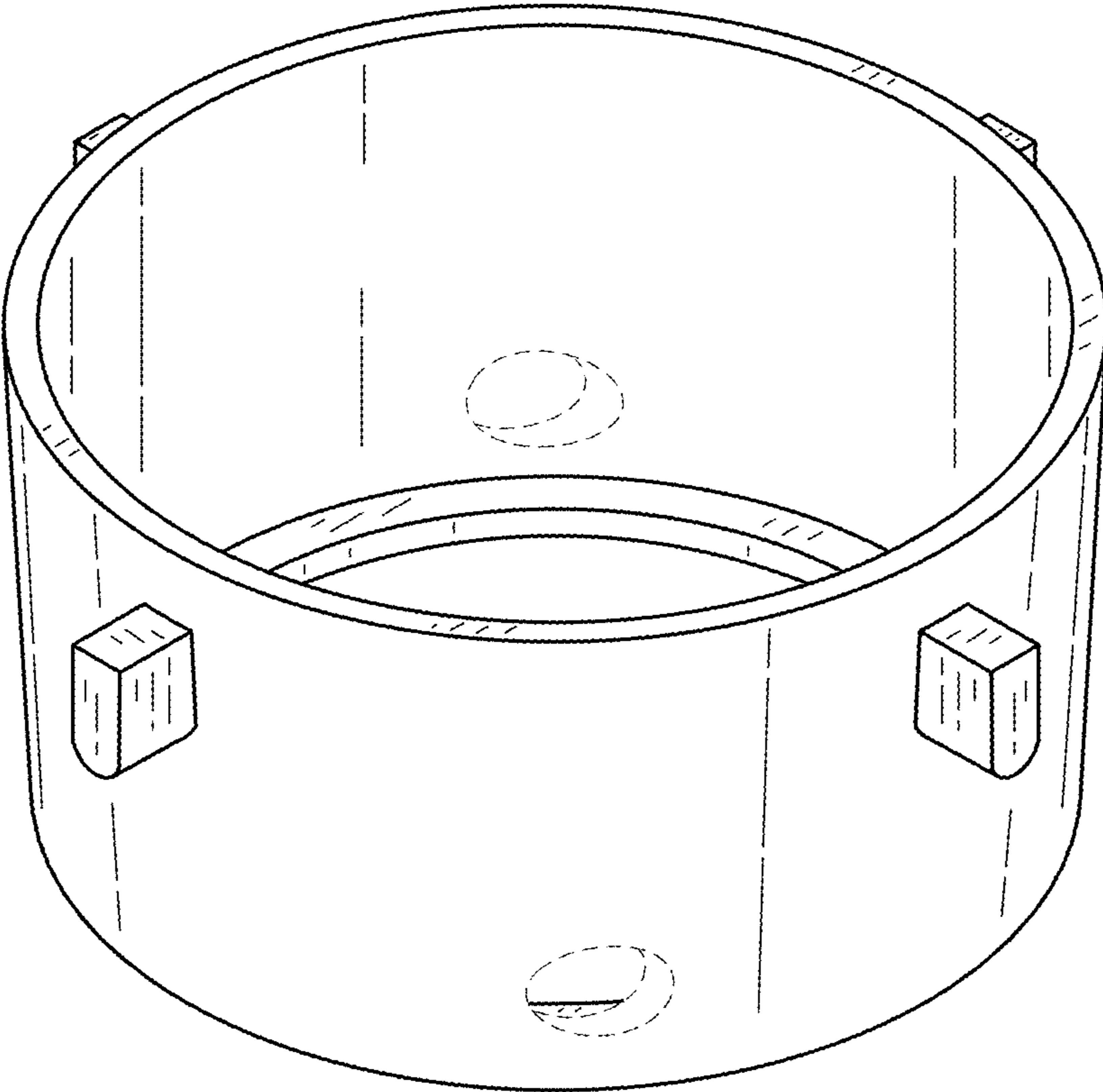


FIG.11

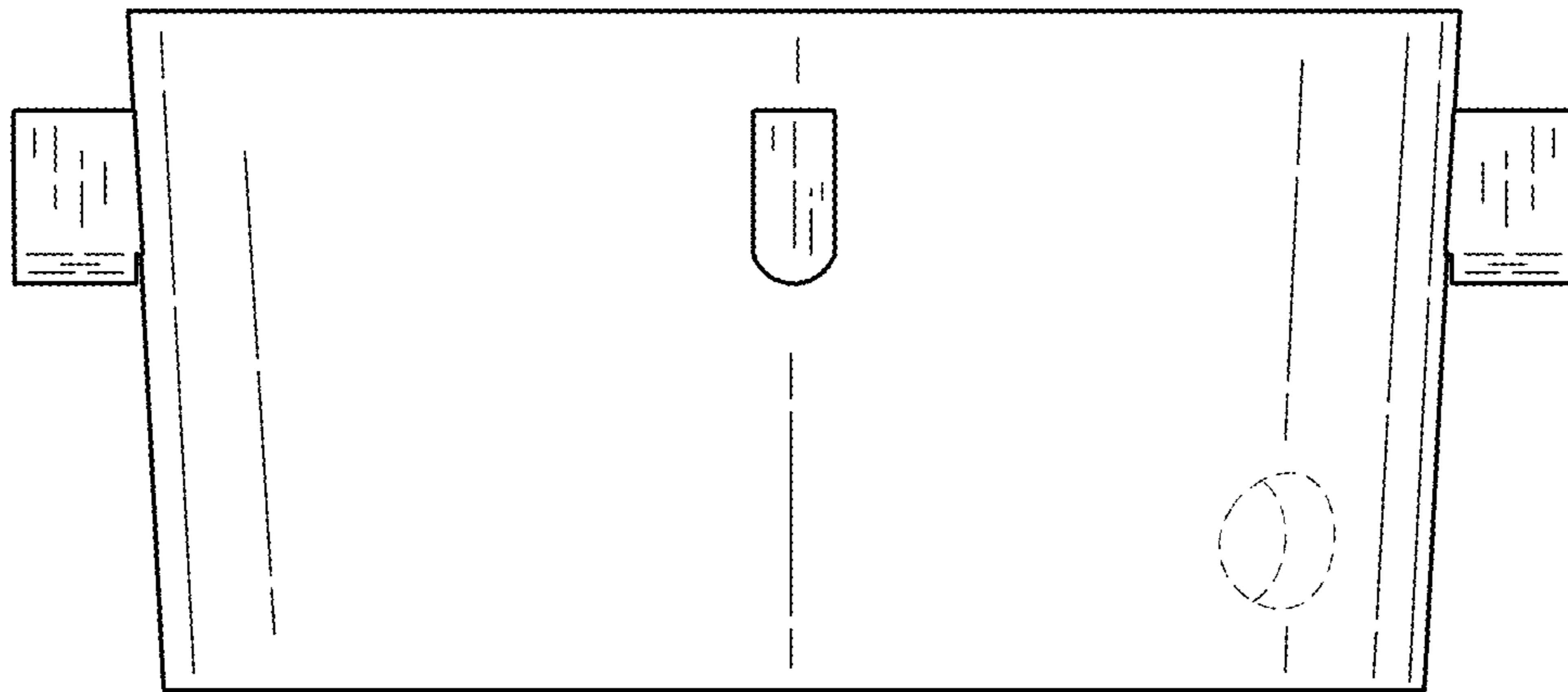


FIG.12

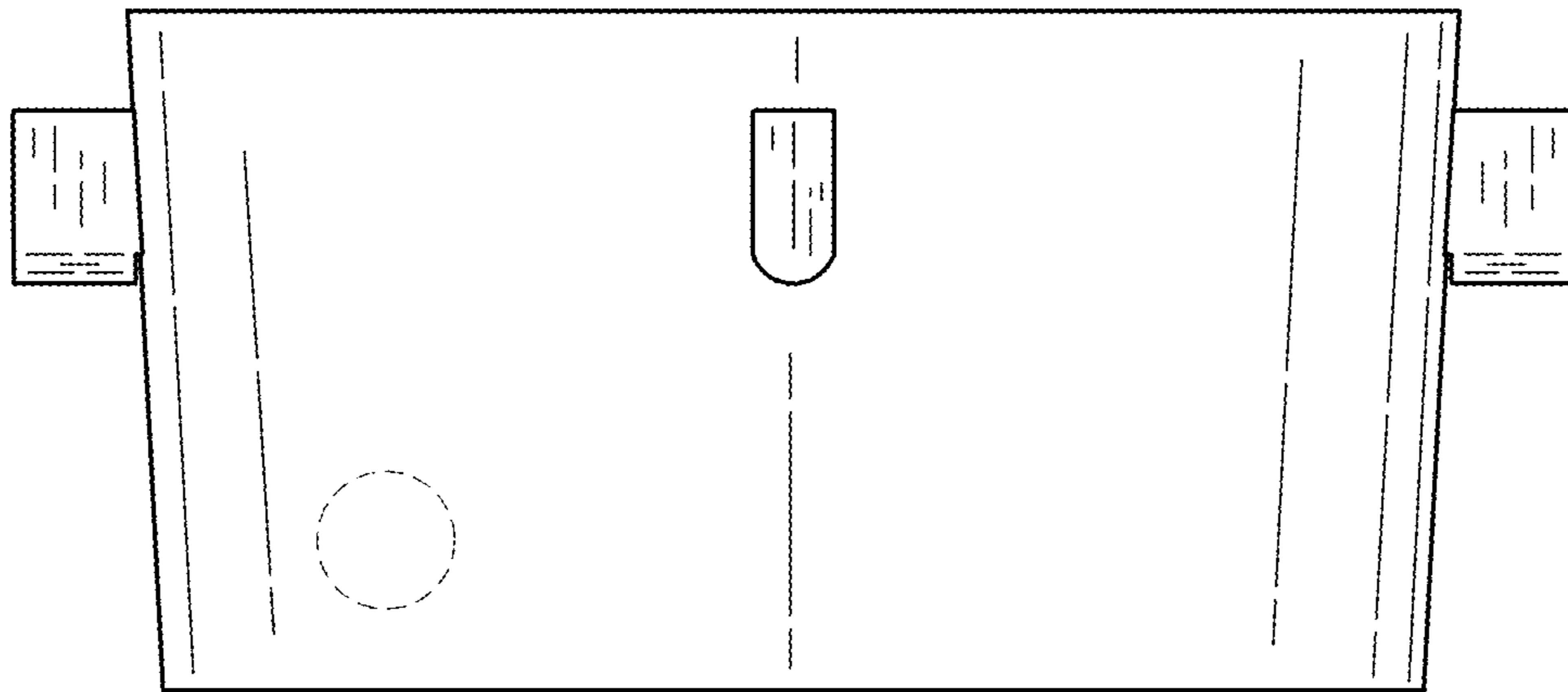


FIG. 13

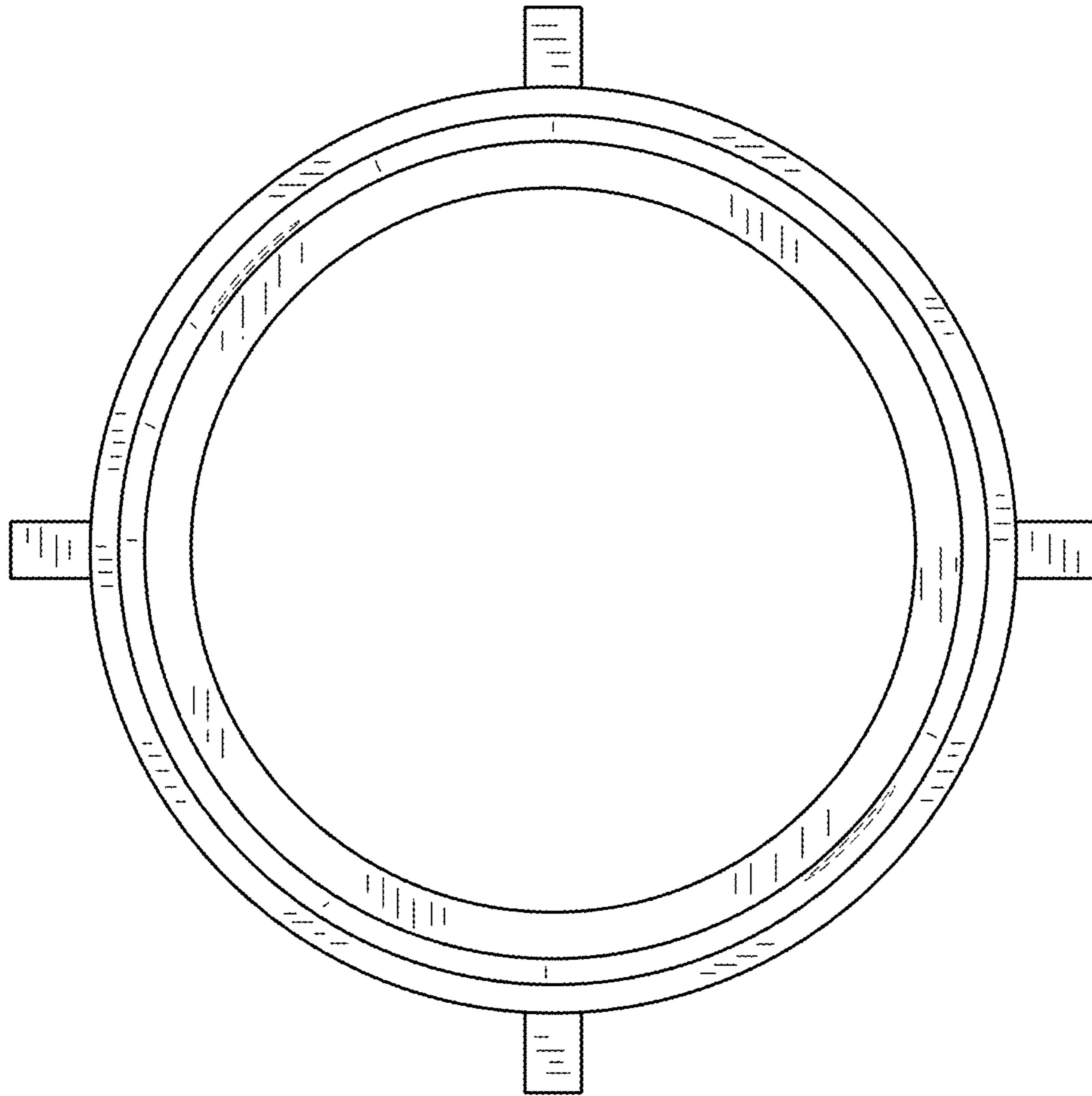


FIG.14



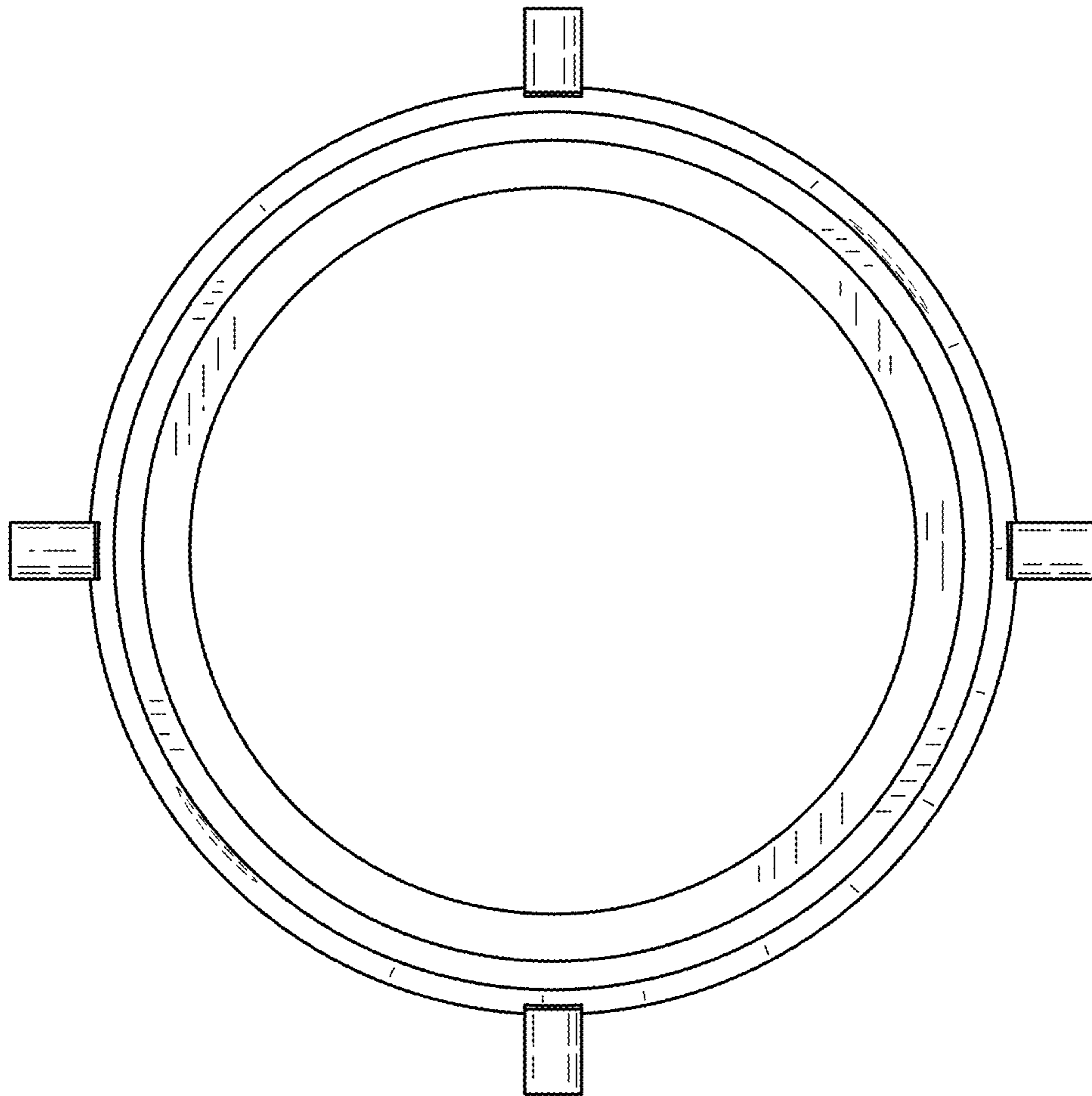


FIG.15

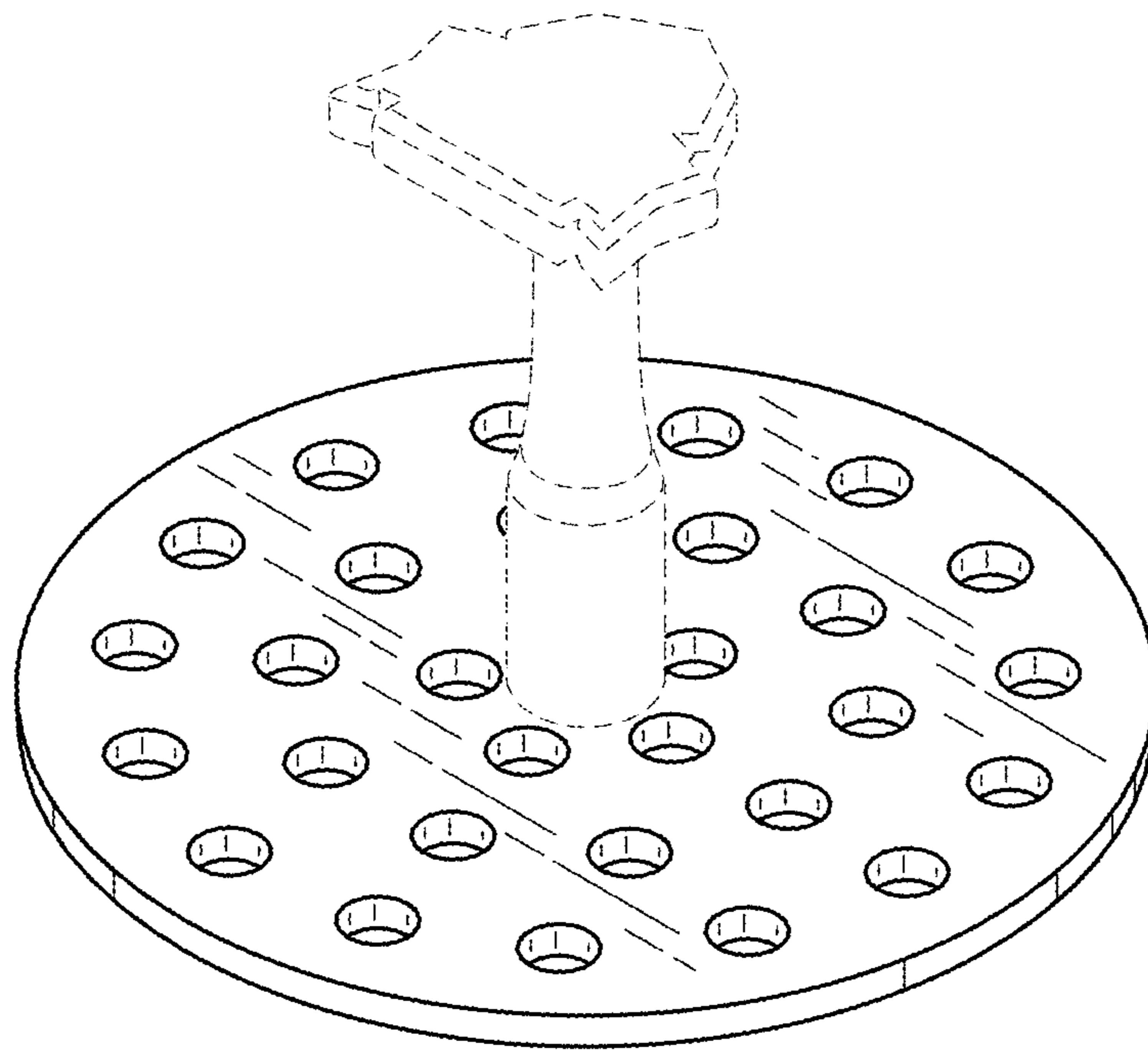


FIG.16

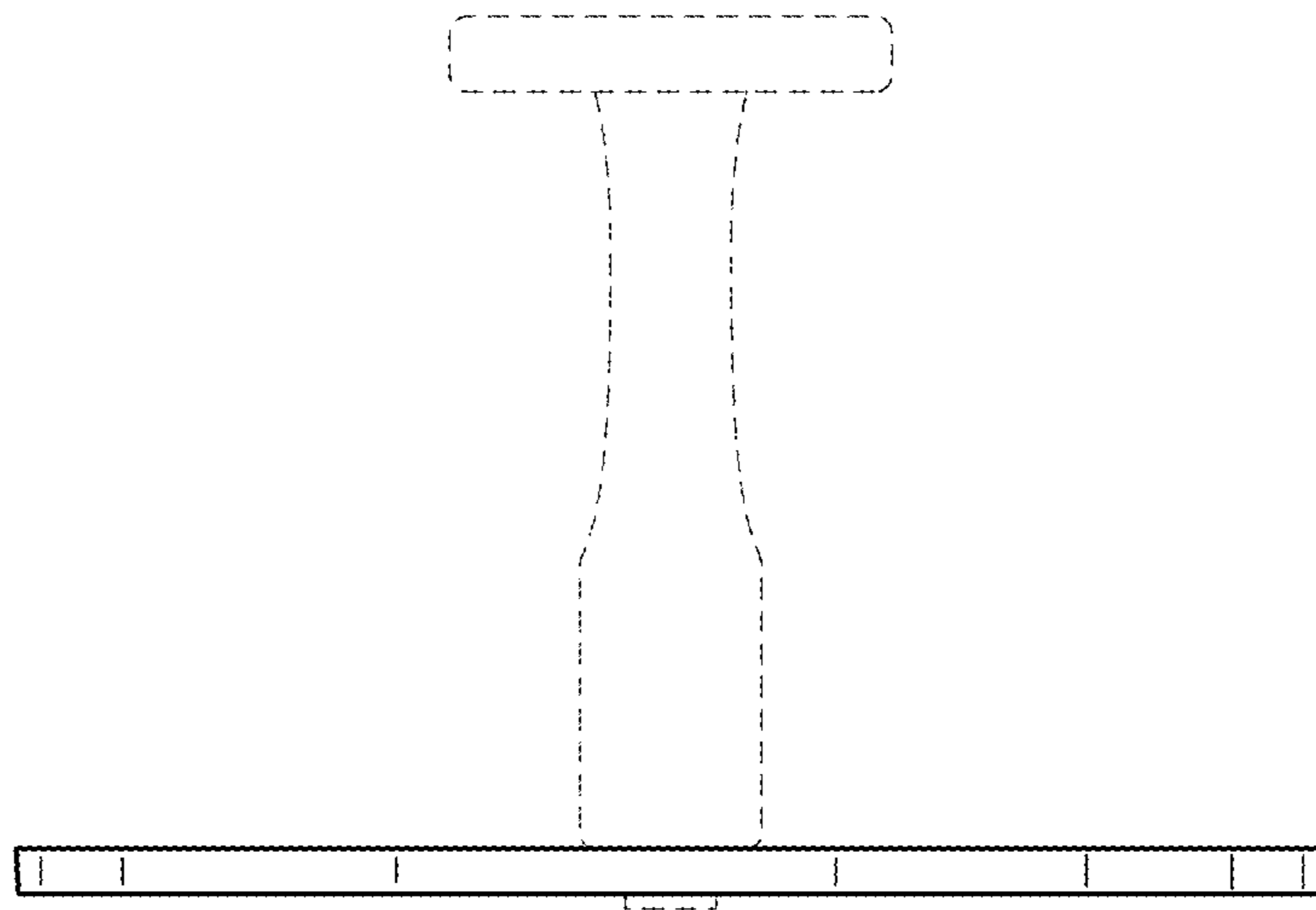


FIG.17

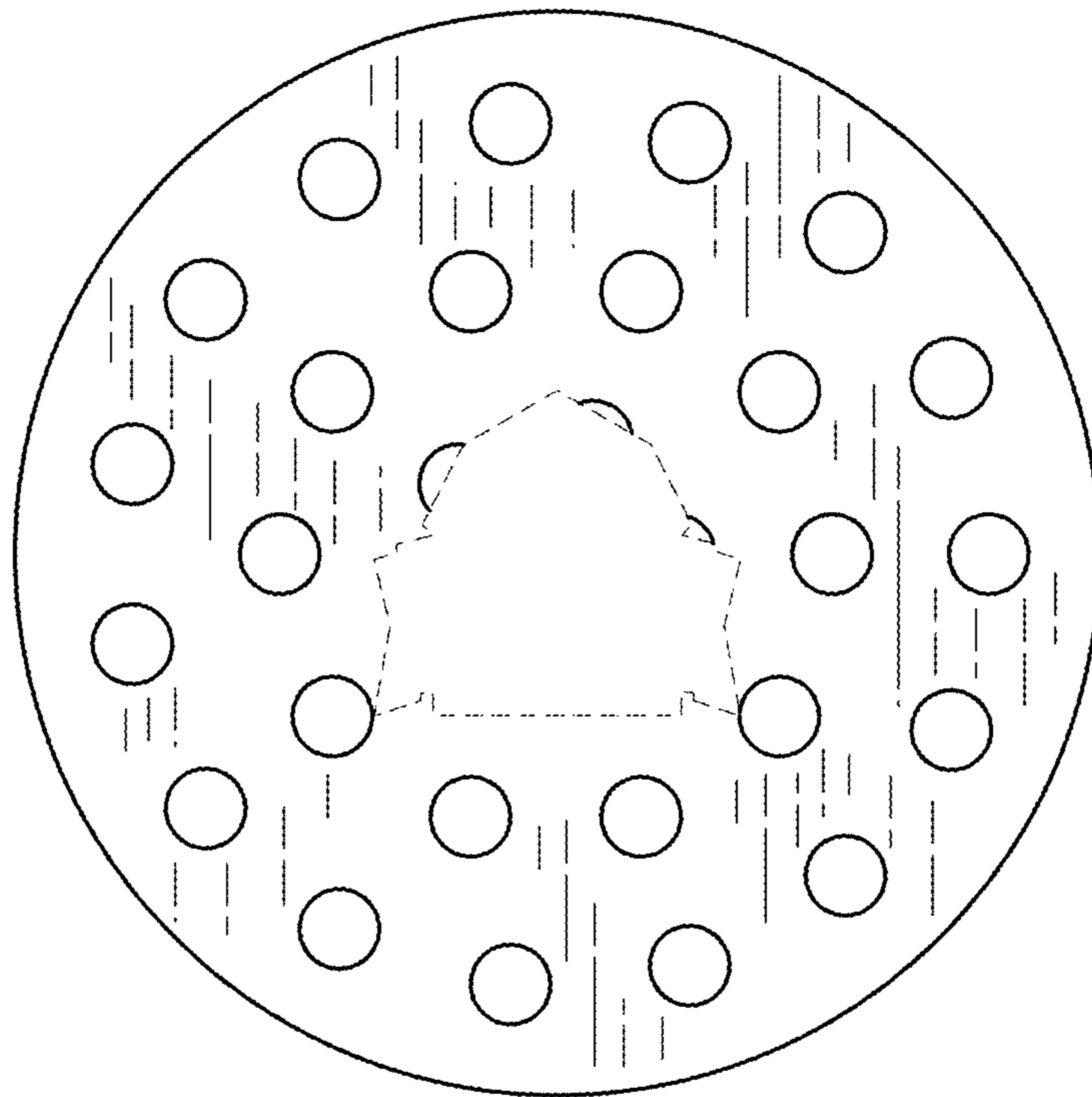


FIG.18

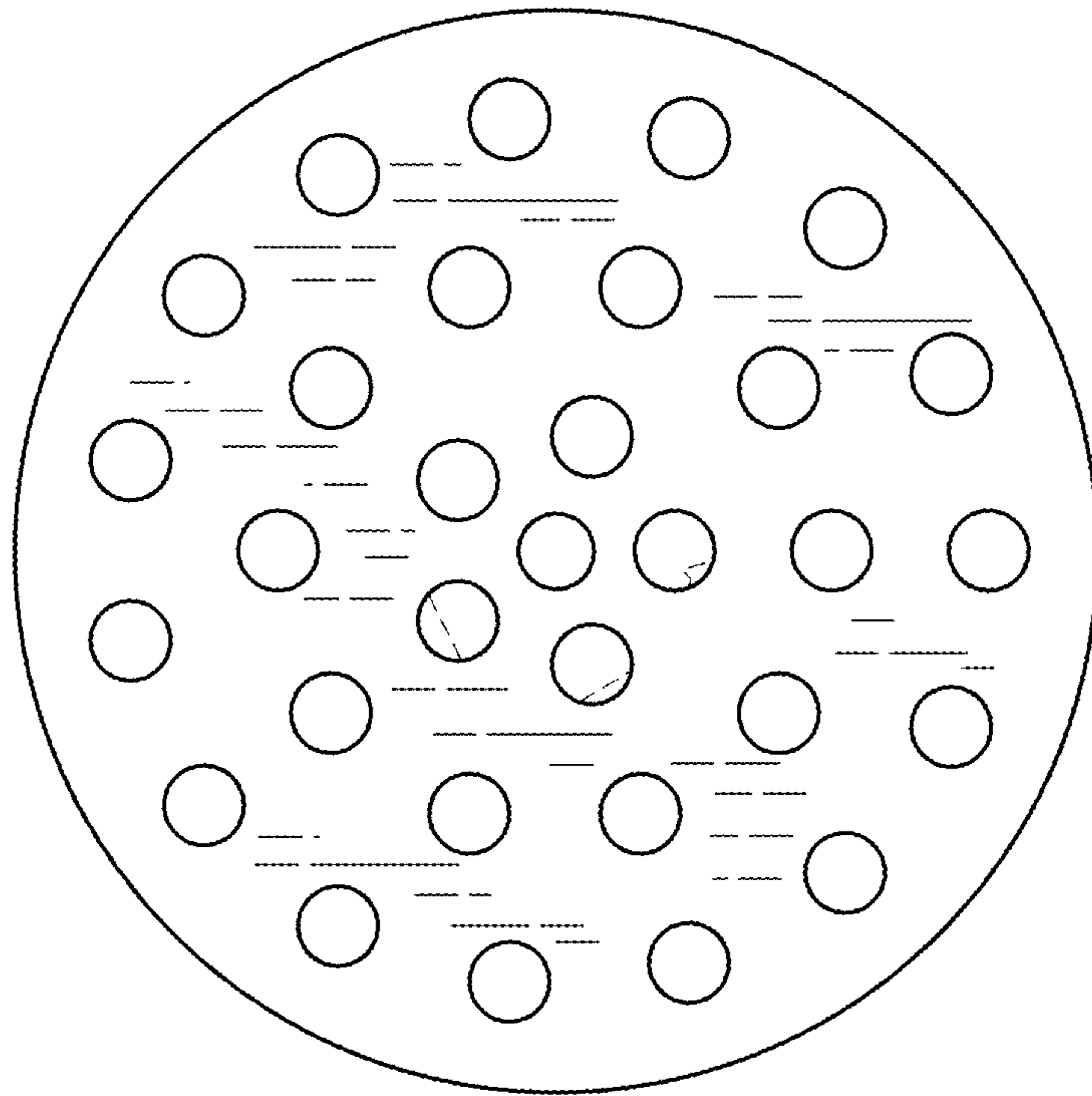


FIG.19