



US00D958466S

(12) **United States Design Patent**  
**Cooper**

(10) **Patent No.:** **US D958,466 S**

(45) **Date of Patent:** **\*\* Jul. 19, 2022**

- (54) **DOG TREAT CONTAINER**
- (71) Applicant: **TATTY HEAD LTD**, Solihull (GB)
- (72) Inventor: **Felicity Cooper**, Solihull (GB)
- (73) Assignee: **Tatty Head LTD**, Solihull (GB)
- (\*\*) Term: **15 Years**
- (21) Appl. No.: **29/677,733**
- (22) Filed: **Jan. 23, 2019**
- (51) **LOC (13) Cl.** ..... **30-99**
- (52) **U.S. Cl.**  
USPC ..... **D30/121; D30/160**
- (58) **Field of Classification Search**  
USPC ..... D30/121, 160, 199; 119/707-711, 51.01, 119/51.11, 51.13, 51.15; D21/713, 707, D21/505, 398, 386, 498, 479, 499; D14/233; D19/1, 61; 434/214, 278; 211/1; 273/155; 342/8; 428/66.5, 9; 446/199, 92, 85; 473/569; D3/271.1; D9/430, 651, 545, 611, 719, 516, 519, D9/520, 523, 525, 529, 544, 549, 414, D9/417, 428, 555, 503, 505, 454, 439, D9/744, 689, 682, 552, 564; D28/91.1, D28/82, 80, 76, 89, 79  
CPC ..... A01K 5/02; A01K 5/0233; A01K 5/0241; A01K 5/025; A01K 5/0275; A01K 5/0283; A01K 5/0291; A01K 15/00; A01K 15/02; A01K 15/025; A01K 15/026  
See application file for complete search history.

- (56) **References Cited**  
U.S. PATENT DOCUMENTS  
4,763,604 A \* 8/1988 Meekins ..... A01K 27/007  
119/653  
5,832,877 A \* 11/1998 Markham ..... A01K 15/026  
119/710

- 5,857,431 A \* 1/1999 Peterson ..... F04B 9/02  
119/710
- 5,947,061 A \* 9/1999 Markham ..... A01K 15/026  
119/710
- D424,281 S \* 5/2000 Jebber ..... D2/869
- 6,129,053 A \* 10/2000 Markham ..... A01K 15/026  
119/710
- 6,159,508 A \* 12/2000 Wolf ..... A61K 8/345  
426/94
- 6,202,598 B1 \* 3/2001 Willinger ..... A01K 15/026  
119/710
- D476,808 S \* 7/2003 Carr ..... D3/294
- D481,867 S \* 11/2003 Hotz ..... D9/601
- D484,650 S \* 12/2003 Meath ..... D30/153
- D486,621 S \* 2/2004 Speck ..... D1/199
- D496,518 S \* 9/2004 Tepper ..... D1/199
- D498,955 S \* 11/2004 Edwards ..... D6/515
- D511,030 S \* 10/2005 Byrne ..... D30/160
- D512,189 S \* 11/2005 Byrne ..... D30/160

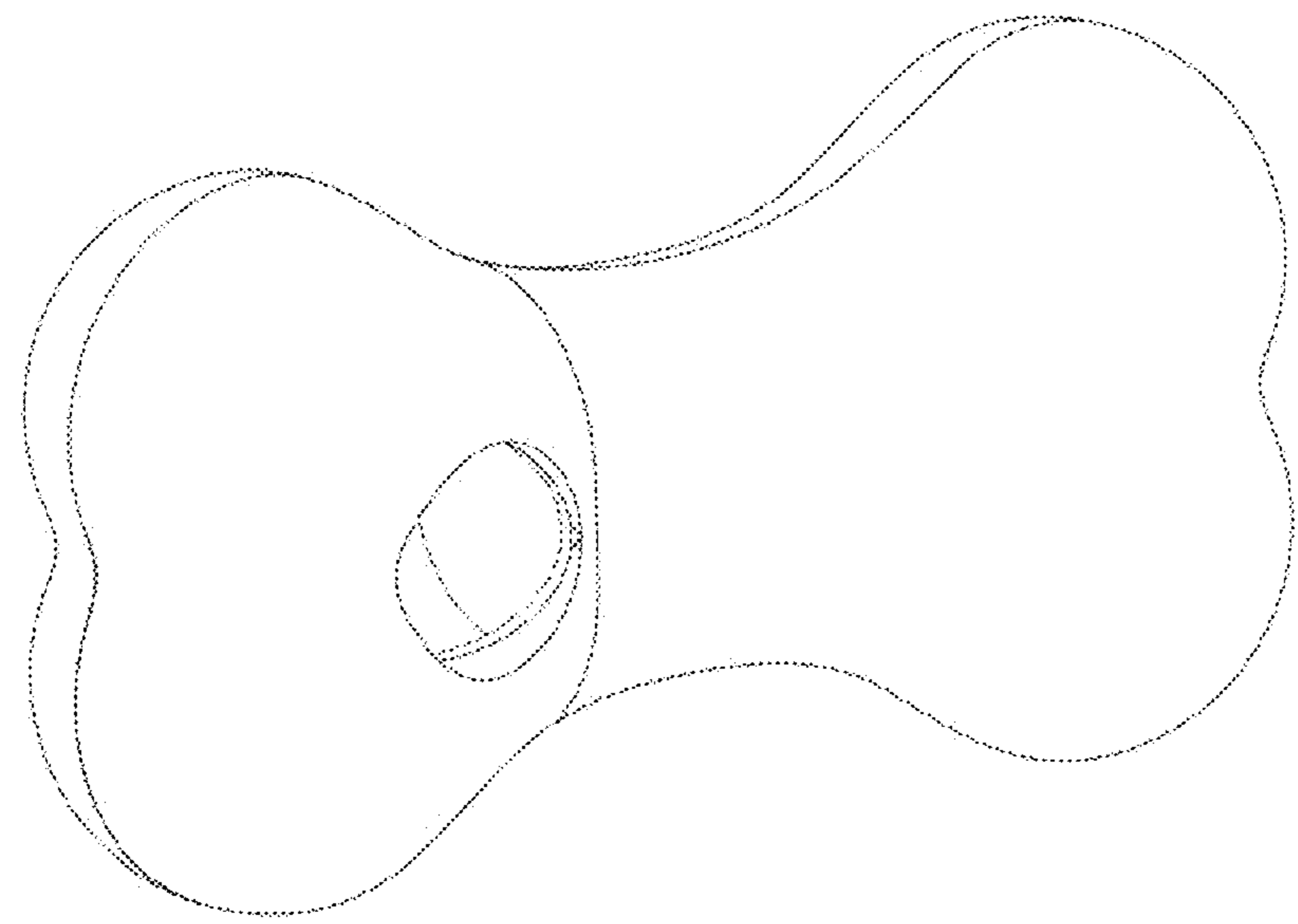
(Continued)

*Primary Examiner* — Susan Moon Lee  
(74) *Attorney, Agent, or Firm* — Trevor T. Graves; Stites & Harbison, PLLC

(57) **CLAIM**  
The ornamental design for a dog treat container, as shown and described.

**DESCRIPTION**  
FIG. 1 is an open front perspective view of a dog treat container according to my design;  
FIG. 2 is another open front perspective view thereof;  
FIG. 3 is a closed front perspective view thereof;  
FIG. 4 is a plan open lid view thereof;  
FIG. 5 is a plan closed lid view thereof;  
FIG. 6 is a rear perspective view thereof;  
FIG. 7 is a bottom view thereof;  
FIG. 8 is a top view thereof; and,  
FIG. 9 is a side view thereof.  
The broken line depictions illustrate unclaimed portions of my design.

**1 Claim, 9 Drawing Sheets**



(56)

## References Cited

## U.S. PATENT DOCUMENTS

D512,539 S *	12/2005	Brunes	D30/130	2005/0268862 A1 *	12/2005	Morrison	A01K 15/025
D516,756 S *	3/2006	Curtis	D30/153				119/707
D516,806 S *	3/2006	Lawrence	D3/271.1	2006/0272588 A1 *	12/2006	Decroix	A01K 5/0114
D521,782 S *	5/2006	Edwards	D6/518				119/61.5
D522,291 S *	6/2006	Edwards	D6/518	2007/0098841 A1 *	5/2007	Keehn	A01K 15/026
D527,273 S *	8/2006	Edwards	D9/600				426/2
7,087,260 B2 *	8/2006	Axelrod	A01K 15/026	2007/0267531 A1 *	11/2007	Petersen	B65D 83/0805
			426/549				242/588.6
D535,790 S *	1/2007	Curtis	D30/153	2008/0314333 A1 *	12/2008	Hurwitz	A61K 31/353
D538,038 S *	3/2007	Iacchetti	D9/600				424/442
D540,181 S *	4/2007	Edwards	D9/600	2009/0078214 A1 *	3/2009	Mann	A01K 15/025
D550,996 S *	9/2007	Edwards	D6/518				119/707
D552,634 S *	10/2007	Janiszewski	D15/90	2009/0114166 A1 *	5/2009	Saborio	A01K 15/025
7,318,393 B2 *	1/2008	Ayscue	A01K 27/006				119/702
			119/859	2009/0151649 A1 *	6/2009	Vardy	A01K 15/026
D576,358 S *	9/2008	Rutherford	D30/160				119/710
D611,304 S *	3/2010	DeLeo	D7/542	2009/0191316 A1 *	7/2009	Perry	A23G 3/563
D619,491 S *	7/2010	Winick	D11/81				426/115
D621,103 S *	8/2010	Kim	D30/160	2010/0186682 A1 *	7/2010	Myers, Jr.	A01K 15/026
D623,362 S *	9/2010	Man	D30/131				119/707
D627,109 S *	11/2010	Man	D30/133	2011/0048337 A1 *	3/2011	Specht	A01K 15/025
D632,455 S *	2/2011	School	D99/5				119/707
D641,248 S *	7/2011	Steger	D9/600	2011/0048338 A1 *	3/2011	Specht	A01K 15/026
D642,341 S *	7/2011	Anderson	D30/160				119/709
D648,905 S *	11/2011	Maurer	D30/153	2011/0094450 A1 *	4/2011	Chamberlain	A01K 7/00
D657,924 S *	4/2012	Soegaard	D32/43				119/72
D665,577 S *	8/2012	Hollinger	D3/271.1	2011/0265732 A1 *	11/2011	Lai	A01K 15/026
8,360,008 B2 *	1/2013	Willinger	A01K 15/026				119/710
			119/711	2012/0073513 A1 *	3/2012	McCann	A01K 15/025
D678,777 S *	3/2013	Neset	D9/708				119/707
D685,958 S *	7/2013	Wolfson	D30/154	2012/0240866 A1 *	9/2012	Taylor	A01K 15/026
D686,797 S *	7/2013	Robinson	D1/106				119/710
D687,192 S *	7/2013	Grist	D30/129	2013/0000564 A1 *	1/2013	Beckhart	A01K 5/0114
D720,929 S *	1/2015	Felice	D3/289				119/710
D740,500 S *	10/2015	Wickens	D30/160	2013/0125823 A1 *	5/2013	Simon	A01K 5/0114
9,370,168 B2 *	6/2016	Dewey	A01K 15/026				119/61.5
9,532,551 B1 *	1/2017	Conde	A01K 15/026	2013/0284112 A1 *	10/2013	Grigoryev	A01K 15/025
9,549,959 B2 *	1/2017	Hurwitz	A61K 31/69				119/707
9,596,832 B2 *	3/2017	Davison, III	A01K 15/026	2013/0340684 A1 *	12/2013	Townsend	A01K 15/025
9,629,338 B2 *	4/2017	Bianchi	A01K 15/026				119/708
D812,820 S *	3/2018	Bolter	D30/121	2014/0130750 A1 *	5/2014	Valle	A01K 15/026
D840,629 S *	2/2019	Packard	D99/5				119/708
D850,016 S *	5/2019	Bolter	D30/121	2014/0209038 A1 *	7/2014	Simon	A01K 15/026
10,405,519 B2 *	9/2019	Rogers	A01K 15/02				119/709
D866,879 S *	11/2019	Steinkraus	D30/160	2014/0230752 A1 *	8/2014	Yerton	A23K 50/42
D872,388 S *	1/2020	Crane	D30/160				119/709
D874,086 S *	2/2020	Shrestha	A23K 50/42	2014/0345538 A1 *	11/2014	Axelrod	C08G 69/36
			D1/106				119/709
D877,428 S *	3/2020	Wolfe, Jr.	D30/160	2016/0165845 A1 *	6/2016	Stone	A01K 5/0114
D901,103 S *	11/2020	Steinkraus	D30/160				119/51.01
D911,634 S *	2/2021	Wolfe, Jr.	D30/160	2018/0008886 A1 *	1/2018	Espensen	A01K 15/025
D921,443 S *	6/2021	Nelson, Jr.	D7/628				
2002/0017759 A1 *	2/2002	McClung, III	A63H 33/18	2018/0288965 A1 *	10/2018	Berry	A01K 5/0135
			119/51.01				
2005/0100641 A1 *	5/2005	Lin	A23K 40/30	2020/0008398 A1 *	1/2020	Willinger	A01K 15/026
			426/132				
				2020/0154676 A1 *	5/2020	Walt	B65D 83/0016
				2021/0212290 A1 *	7/2021	Stern	A01K 15/026
				2021/0401672 A1 *	12/2021	Espiritu	A61J 7/0053

\* cited by examiner

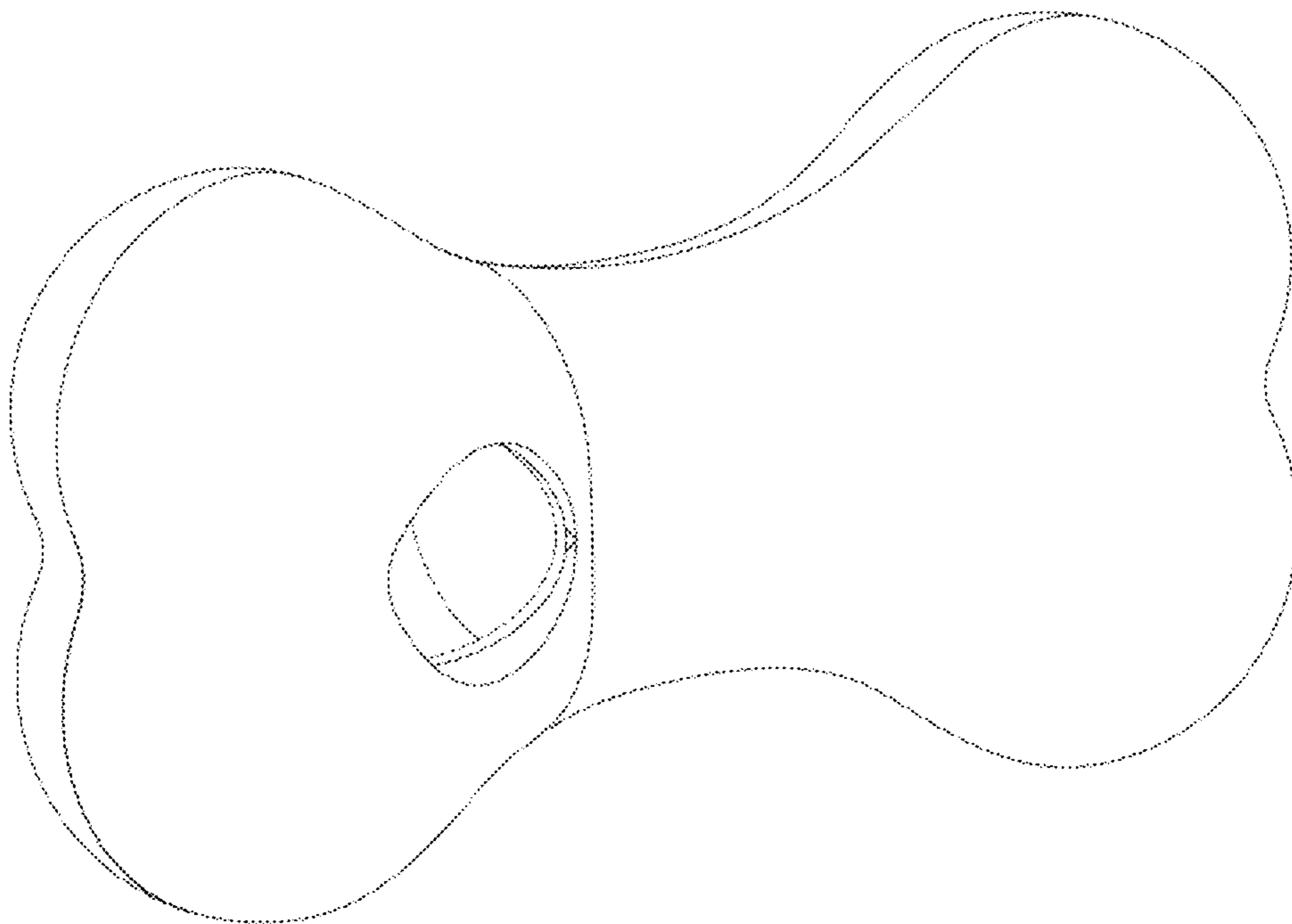


FIG. 1

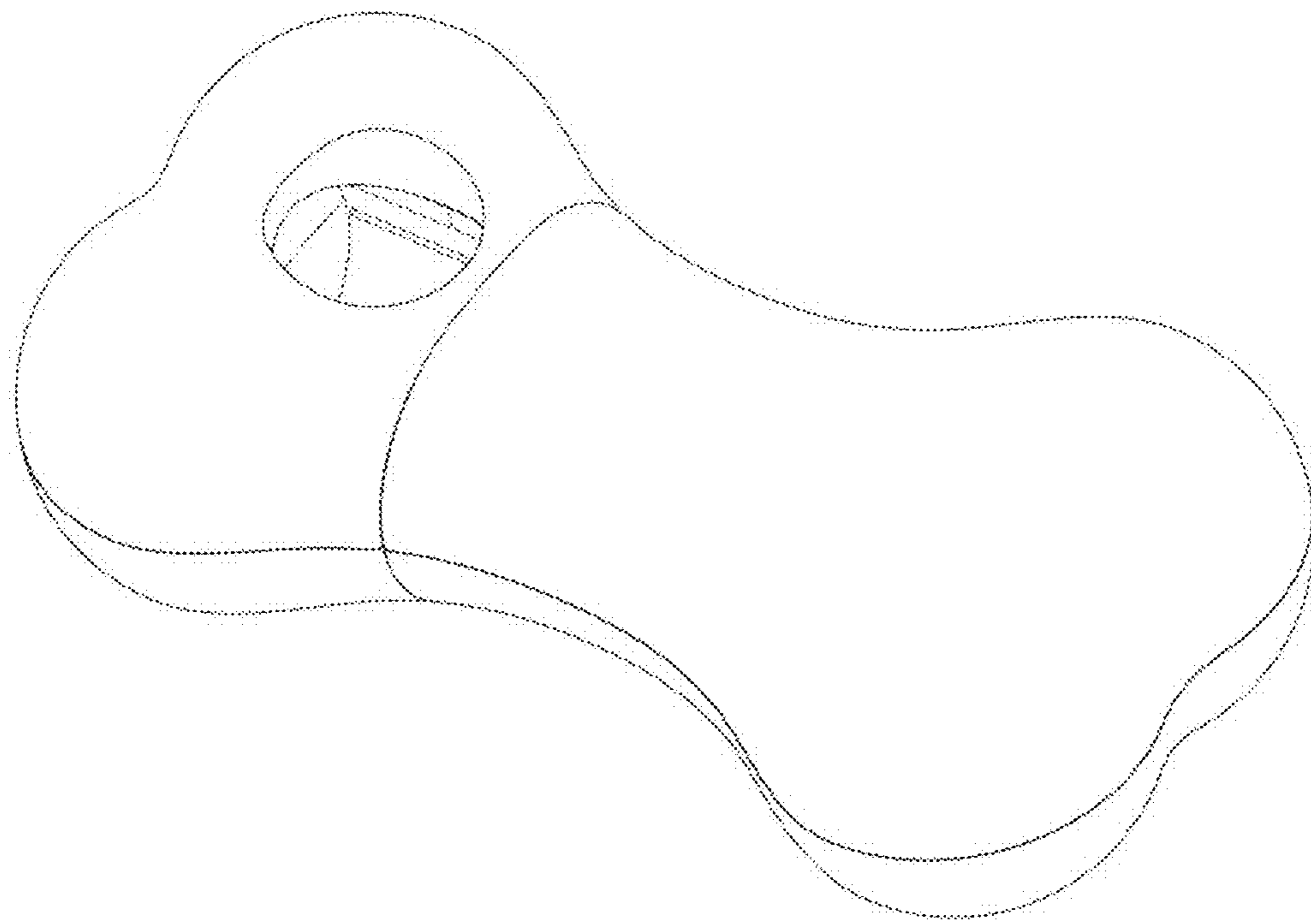


FIG. 2

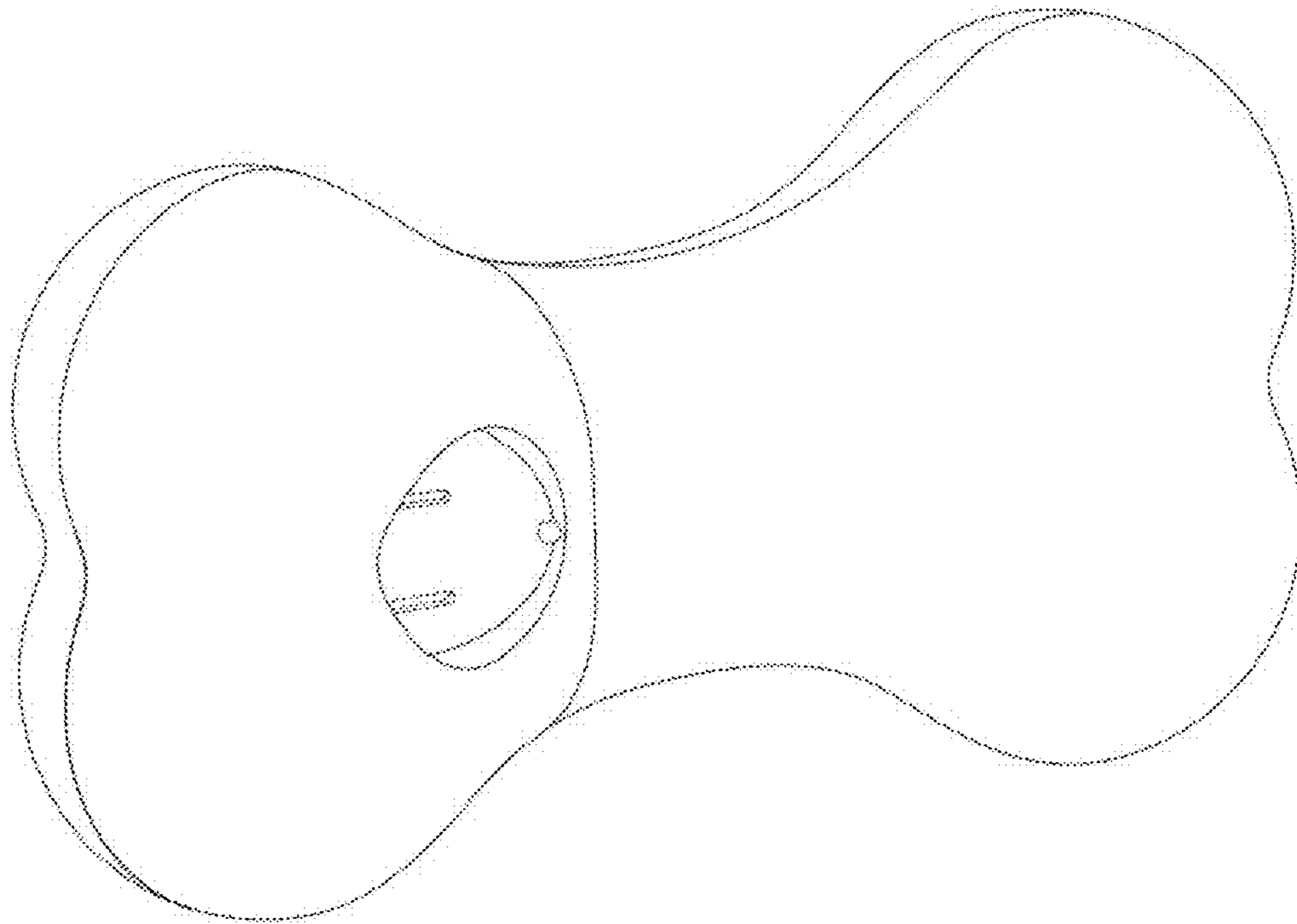


FIG. 3

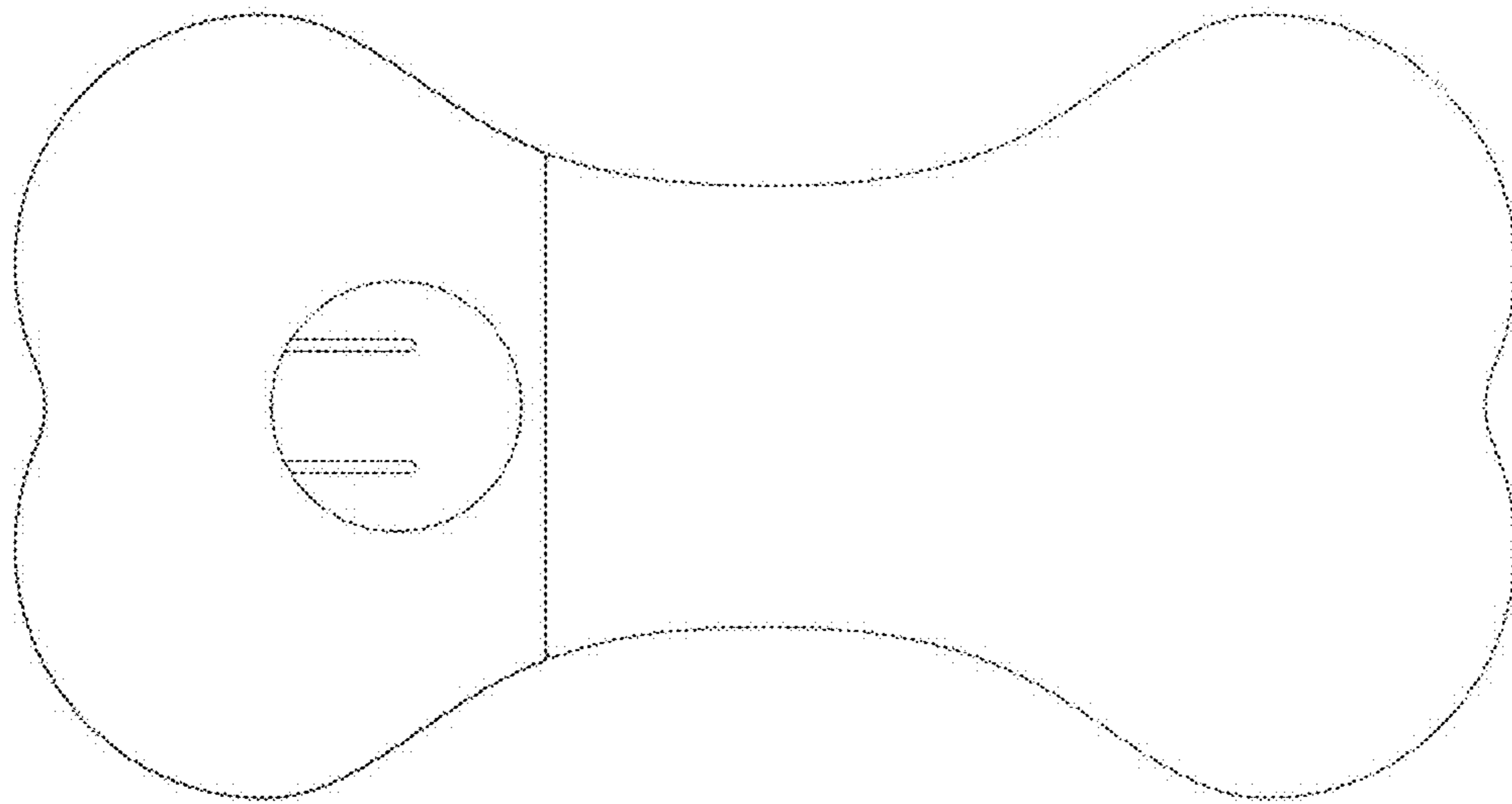


FIG. 4

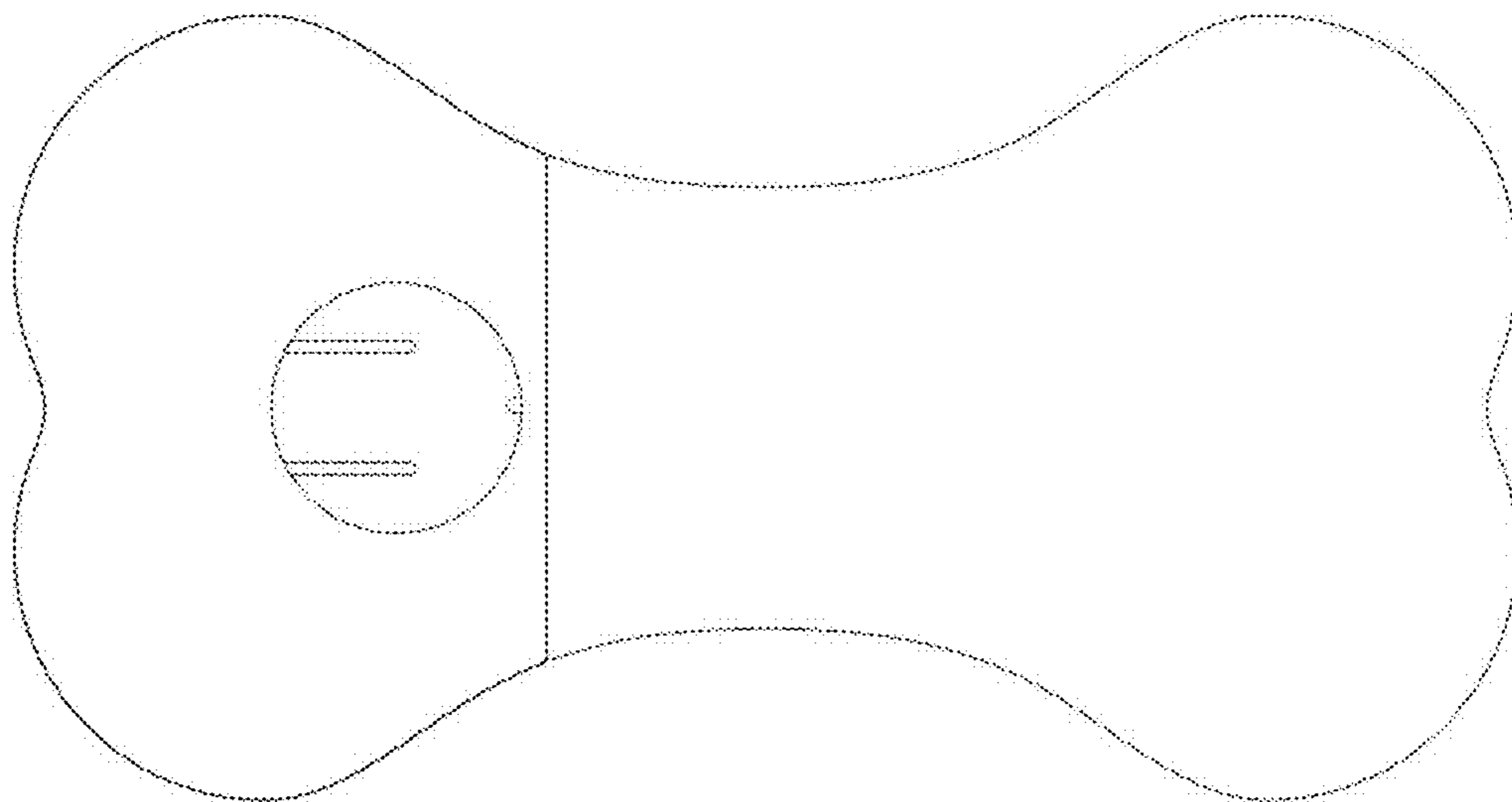


FIG. 5

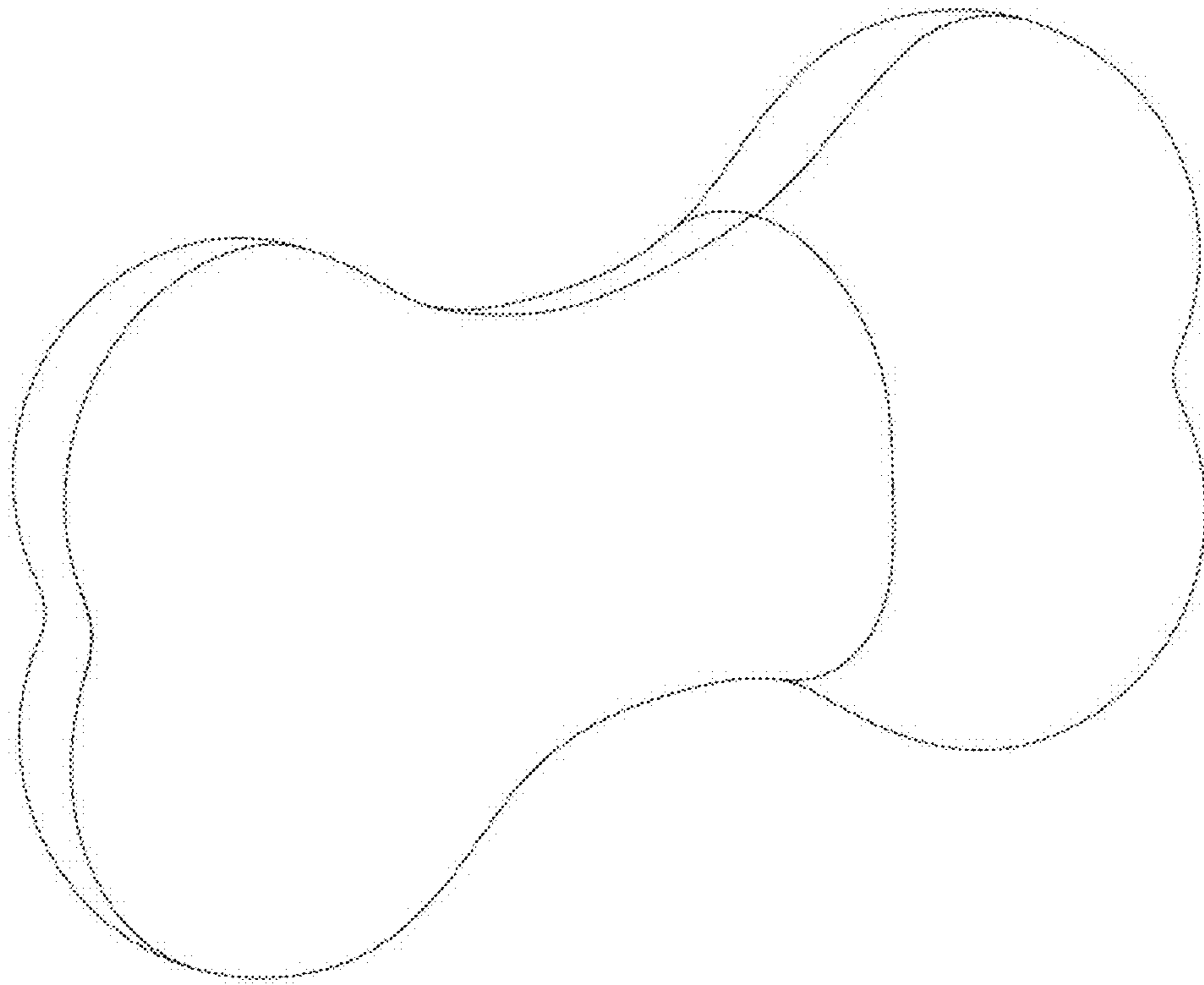


FIG. 6



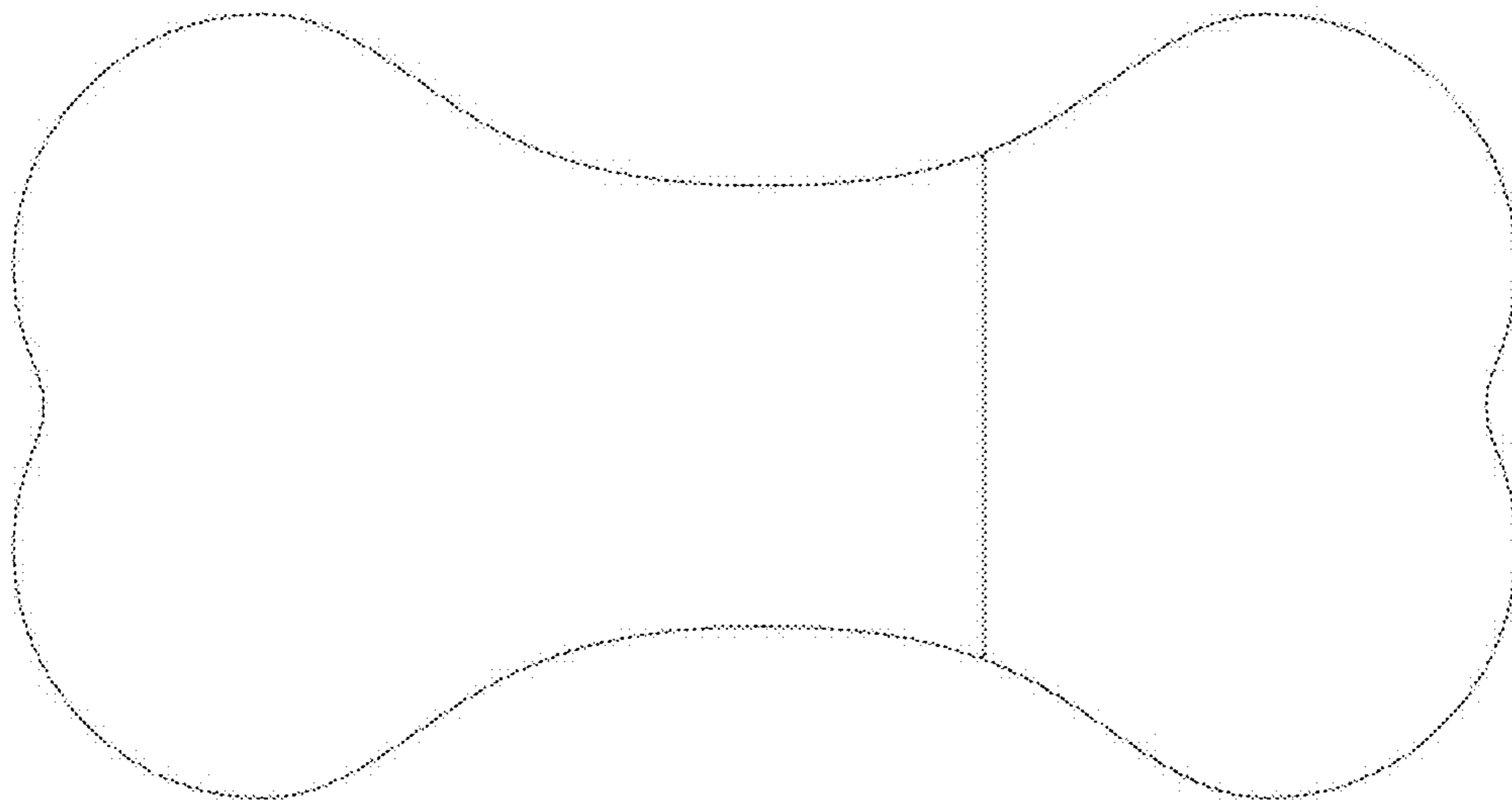


FIG. 7

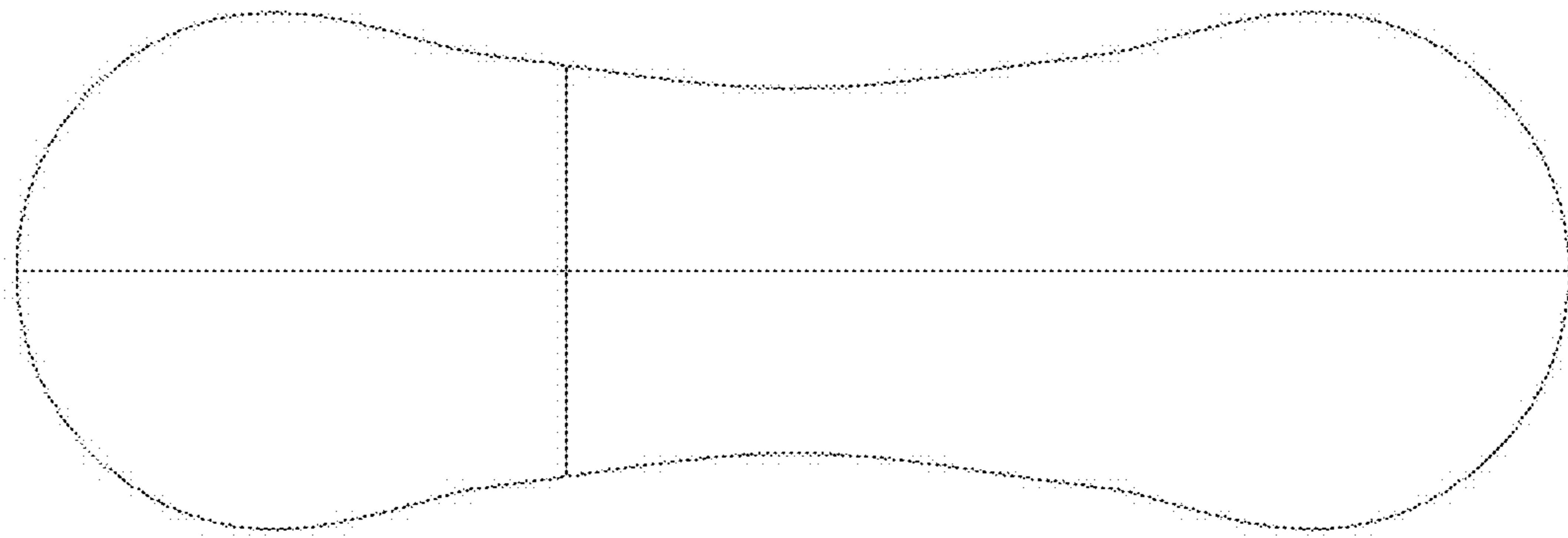


FIG. 8

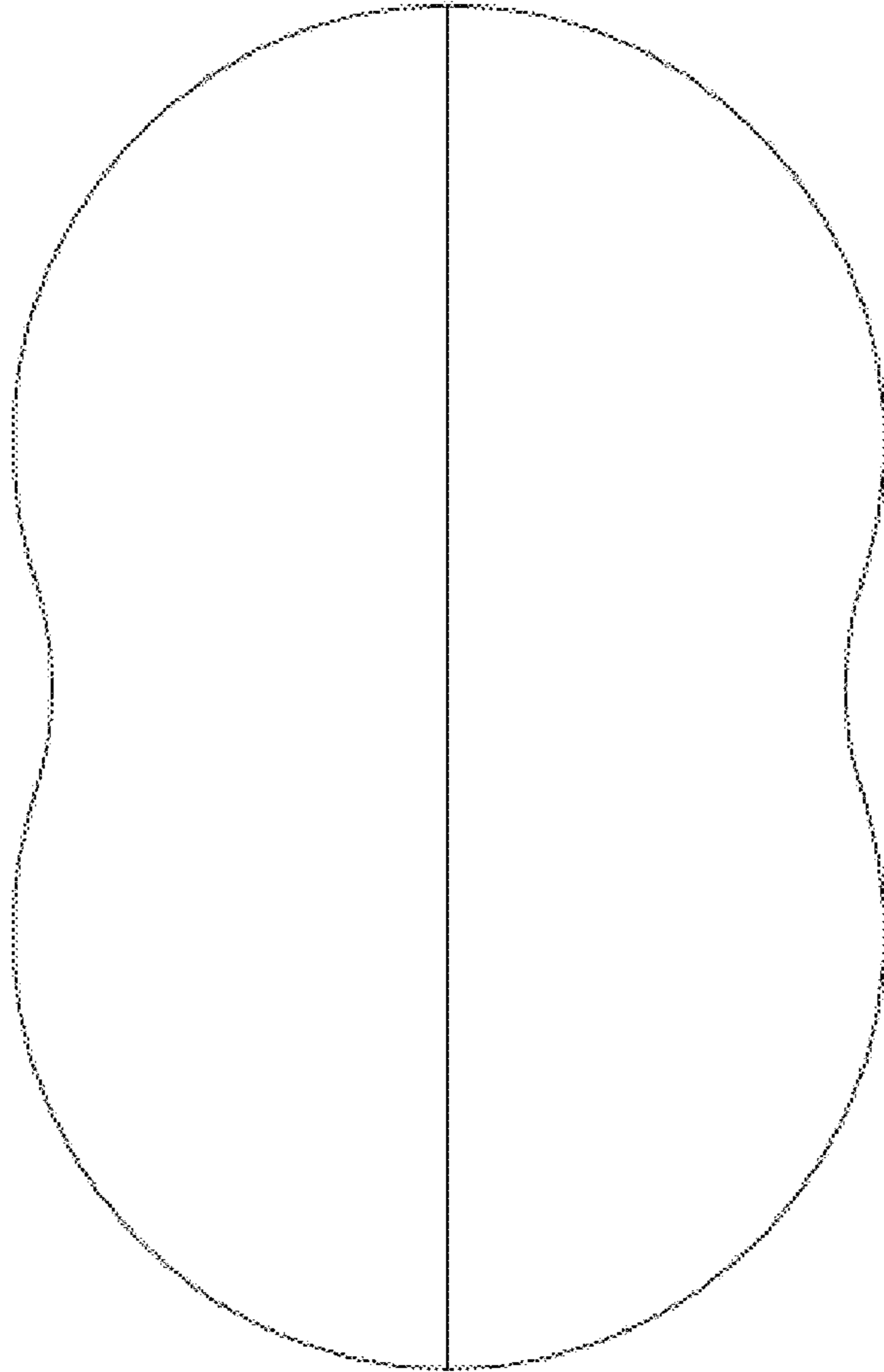


FIG. 9