



US00D958464S

(12) **United States Design Patent** (10) **Patent No.:** **US D958,464 S**
Pahlmeyer et al. (45) **Date of Patent:** **** Jul. 19, 2022**

- (54) **ATHLETIC HELMET FACEMASK**
- (71) Applicant: **VICIS IP, LLC**, New York, NY (US)
- (72) Inventors: **Marie Pahlmeyer**, Seattle, WA (US);
Travis Glover, Seattle, WA (US);
Jason Neubauer, Seattle, WA (US);
Kurt Fischer, Seattle, WA (US); **Noah Lanphear**, Seattle, WA (US); **Andre Stone**, Seattle, WA (US); **Adam Kollgaard**, Seattle, WA (US); **Kayla Fukuda**, Seattle, WA (US)
- (73) Assignee: **Vicis IP, LLC**, New York, NY (US)
- (**) Term: **15 Years**
- (21) Appl. No.: **29/809,290**
- (22) Filed: **Sep. 27, 2021**

Related U.S. Application Data

- (63) Continuation of application No. 29/675,796, filed on Jan. 4, 2019, now Pat. No. Des. 932,108.
- (51) **LOC (13) Cl.** **29-02**
- (52) **U.S. Cl.**
USPC **D29/111**
- (58) **Field of Classification Search**
USPC D29/105–106, 111, 122
CPC A63B 2071/105; A63B 71/10; A63B 2243/007; A42B 3/20
See application file for complete search history.

References Cited

U.S. PATENT DOCUMENTS

D461,152 S	8/2002	Schmitt
D587,852 S	3/2009	Nimmons
D590,106 S	4/2009	Nimmons
D598,610 S	8/2009	Soukup et al.

D704,899 S	5/2014	Erb et al.
D718,002 S	11/2014	Littrell
D748,346 S	1/2016	Erb et al.
D758,669 S	6/2016	Collette et al.
D764,116 S	8/2016	Collette et al.
D767,211 S	9/2016	Lamson
D772,489 S	11/2016	Lamson
10,092,054 B2	10/2018	Williams
10,201,743 B1	2/2019	Simpson
10,856,600 B2	12/2020	Ide et al.
10,905,936 B2	2/2021	Tryner et al.
D932,108 S *	9/2021	Pahlmeyer D29/111
2009/0126063 A1	5/2009	Brown et al.
2014/0223643 A1	8/2014	Infusino et al.
2014/0223644 A1	8/2014	Bologna et al.
2020/0046058 A1	2/2020	Santiago
2022/0031003 A1*	2/2022	Summerville A63B 71/10
2022/0061448 A1*	3/2022	Withnall A63B 71/081

* cited by examiner

Primary Examiner — Robert A Delehanty

(74) *Attorney, Agent, or Firm* — Fish & Richardson P.C.

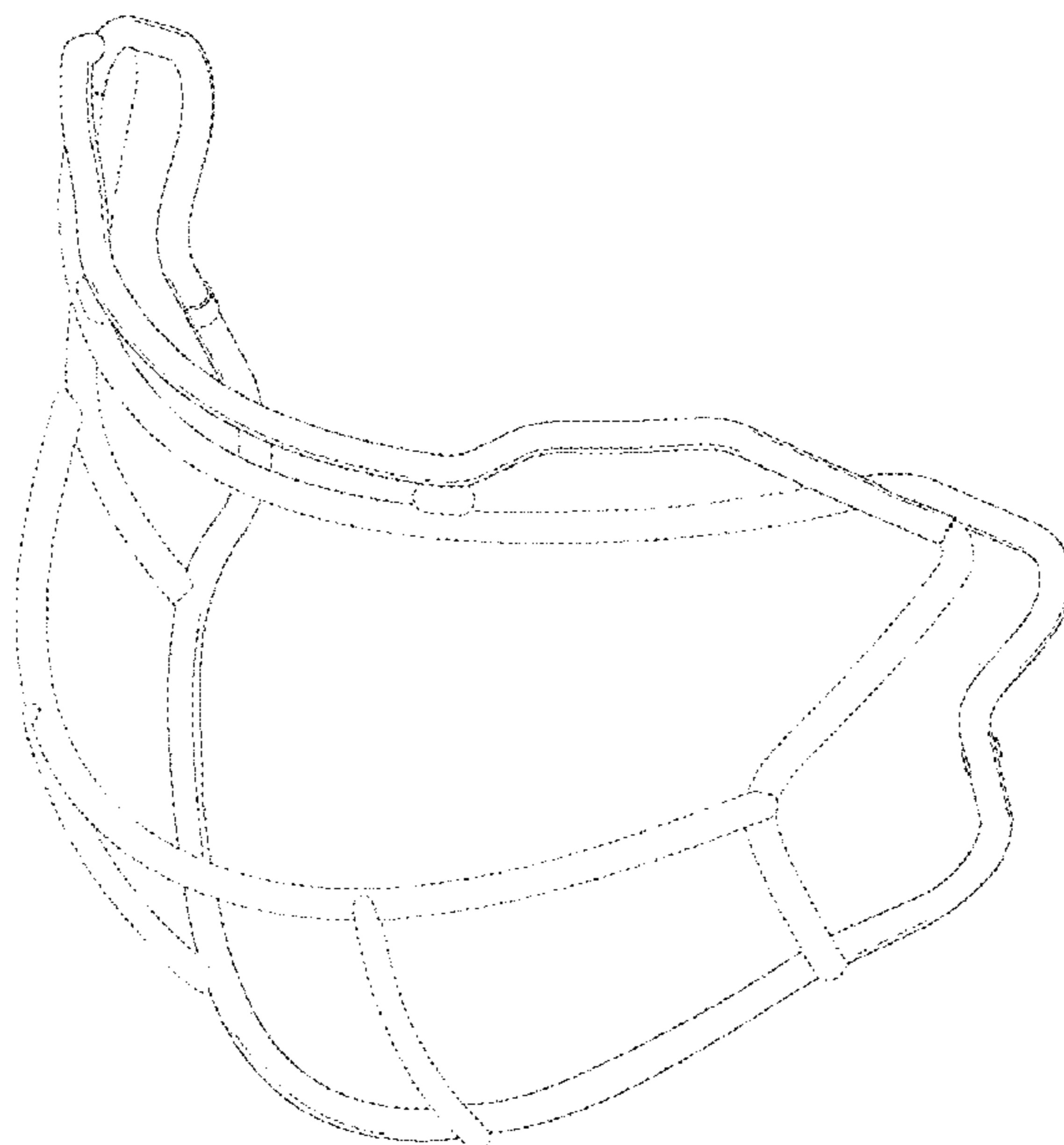
(57) **CLAIM**

The ornamental design for an athletic helmet facemask, as shown and described.

DESCRIPTION

FIG. 1 is a front-perspective view of an athletic helmet facemask;
 FIG. 2 is a front view thereof;
 FIG. 3 is a rear view thereof;
 FIG. 4 is a top view thereof;
 FIG. 5 is a bottom view thereof; and,
 FIG. 6 is a right-side view thereof.
 The left-side view is a mirror image of the right-side view illustrated in FIG. 6.
 The dashed broken lines define the bounds of the claimed design and form no part thereof.

1 Claim, 6 Drawing Sheets



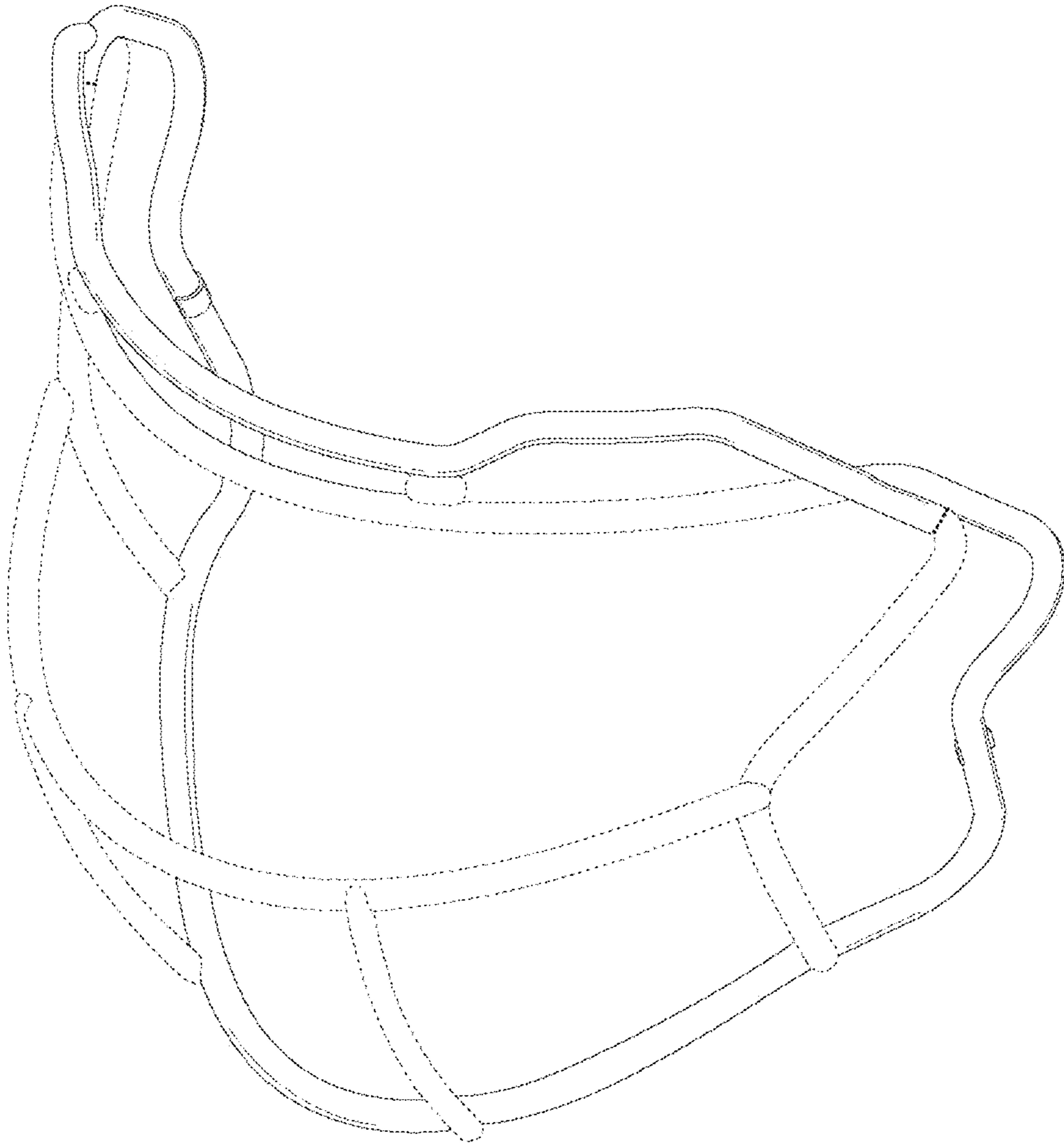


FIG. 1

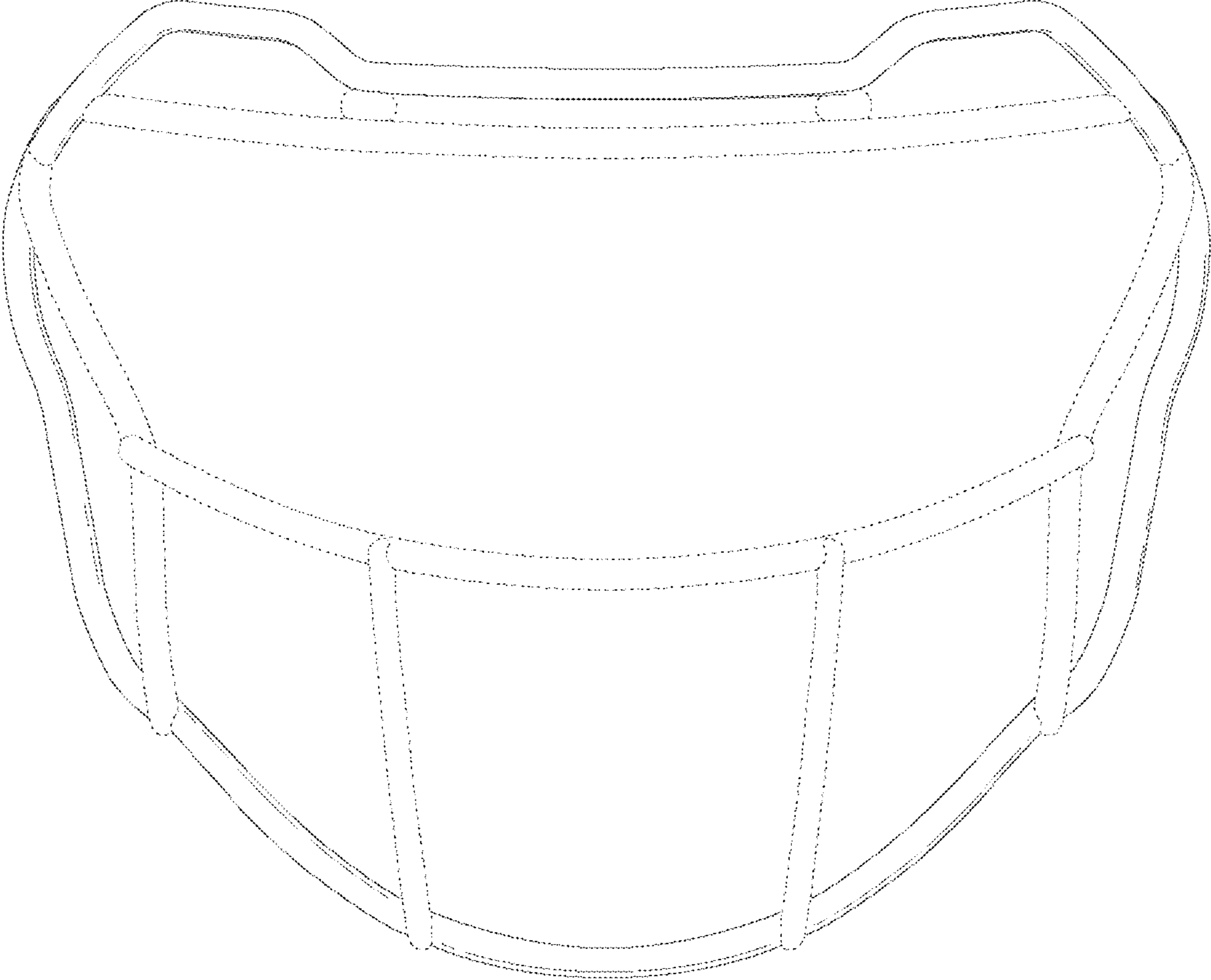


FIG. 2

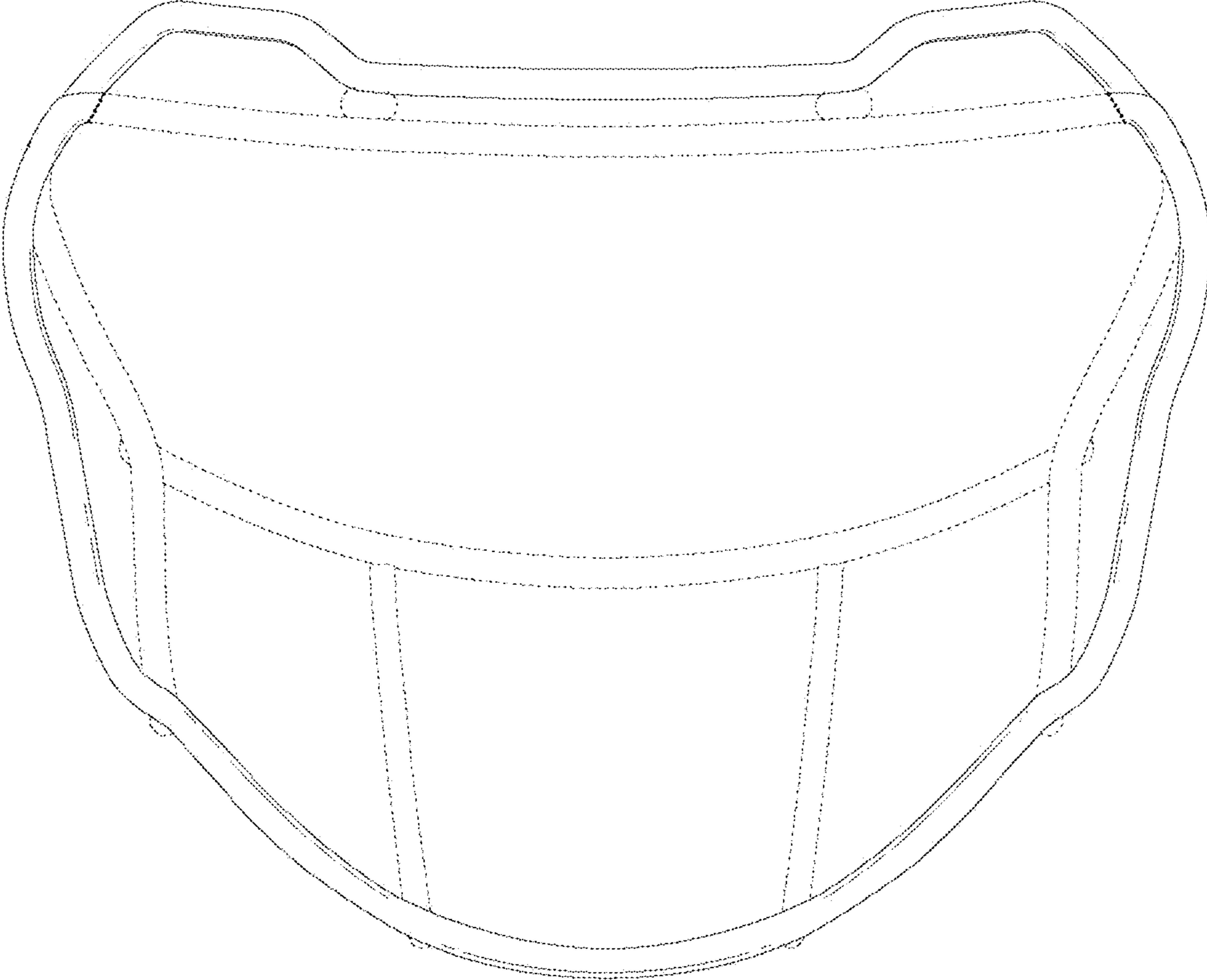


FIG. 3

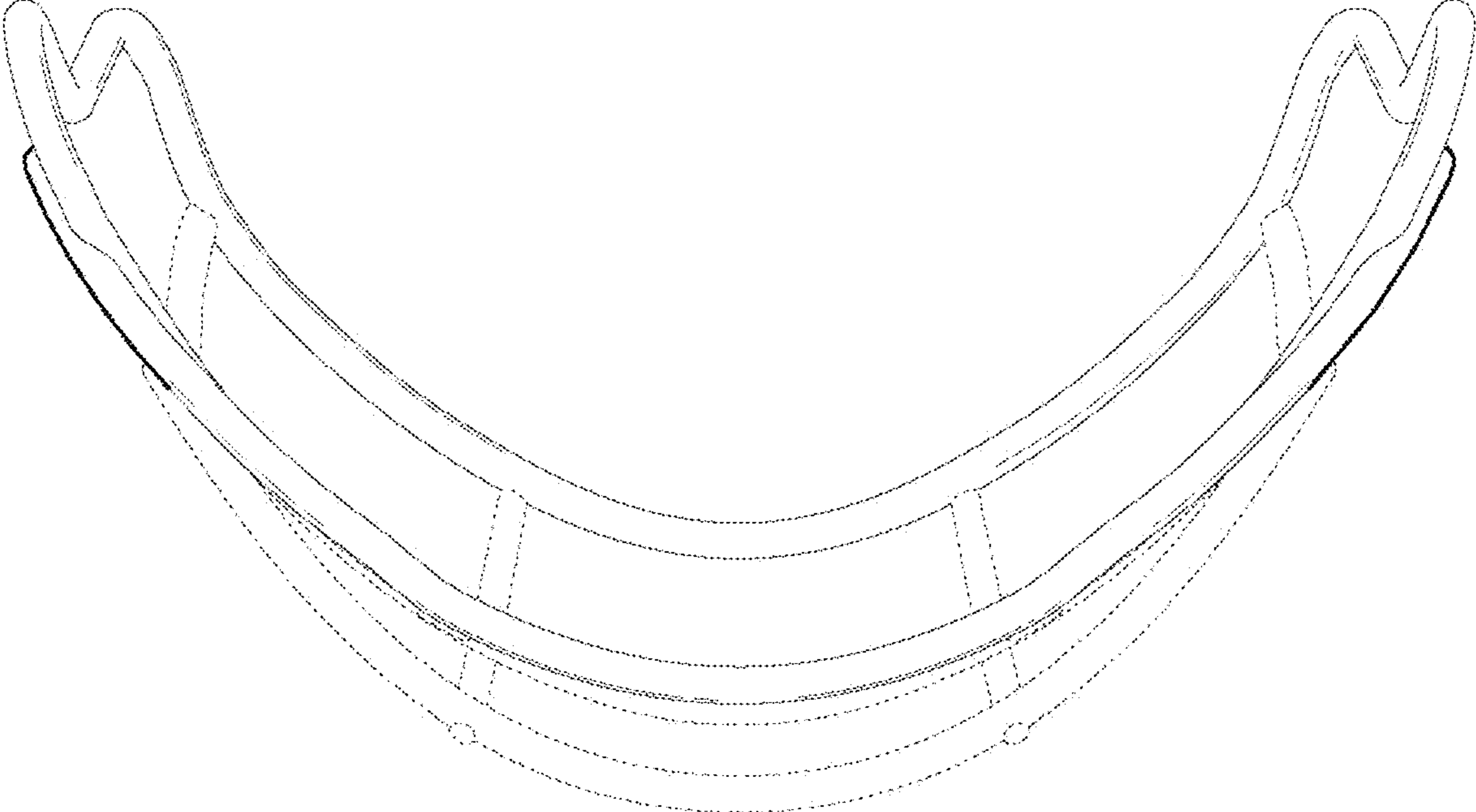


FIG. 4

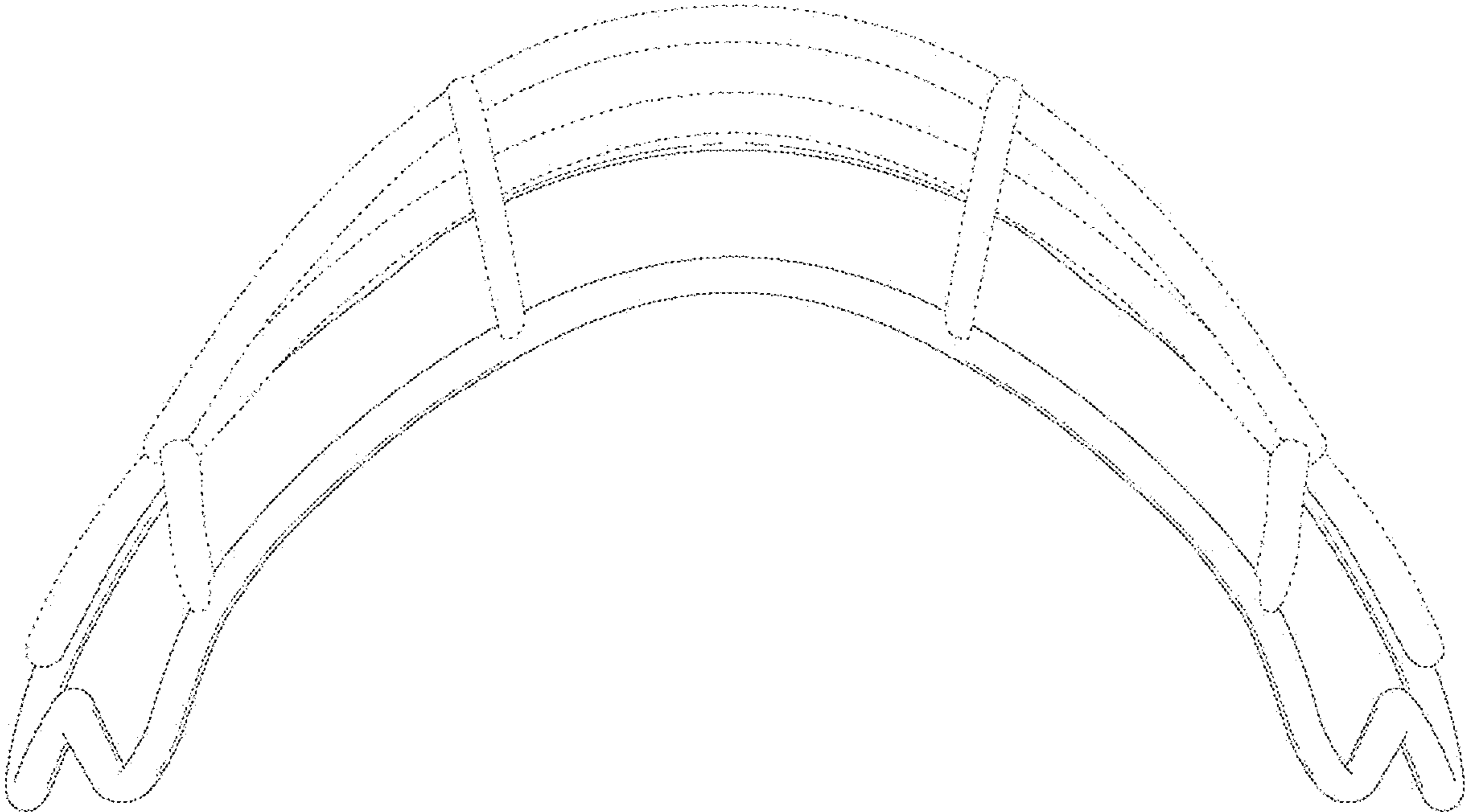


FIG. 5

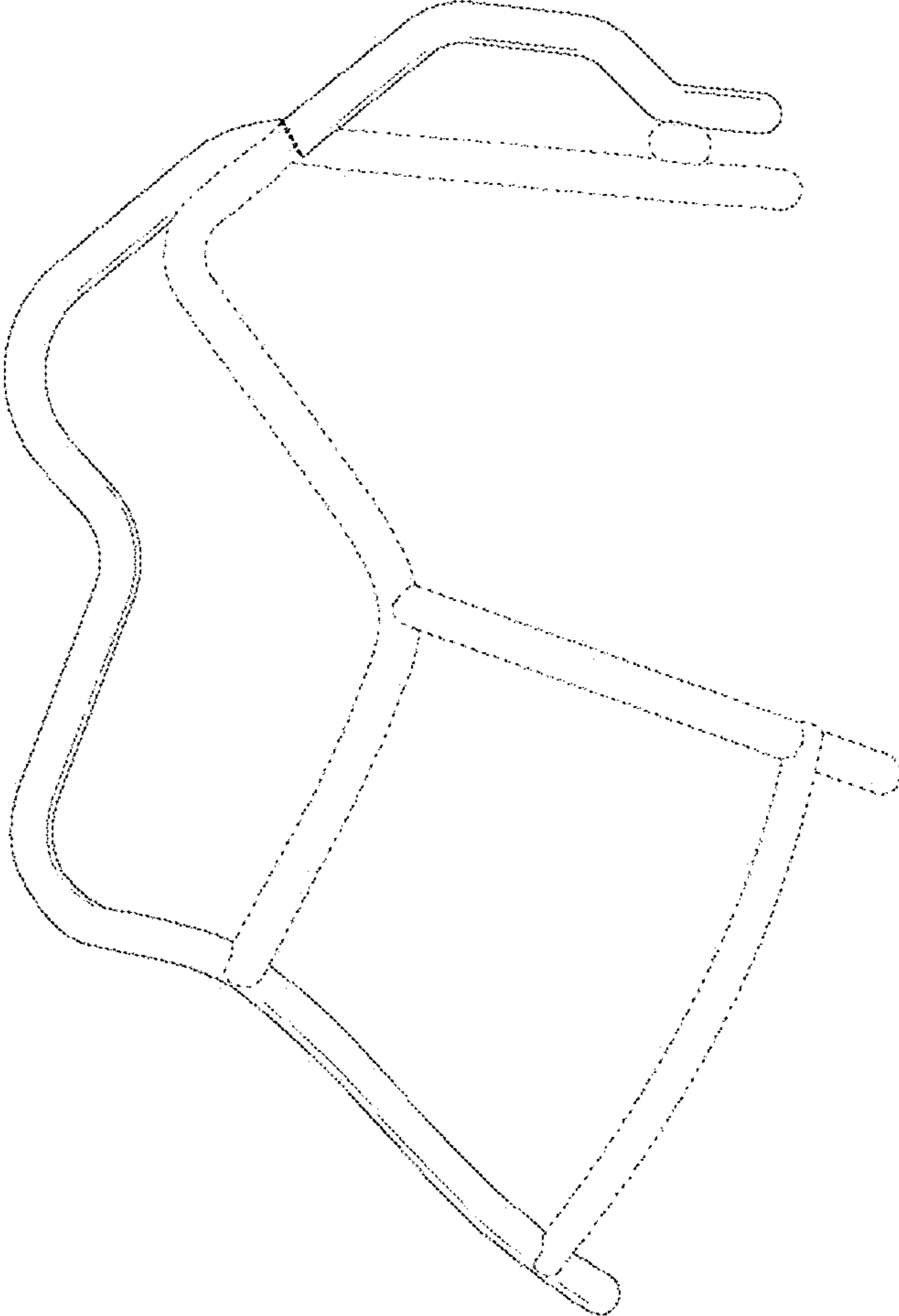


FIG. 6