



US00D958463S

(12) **United States Design Patent** (10) **Patent No.:** **US D958,463 S**
Iagulli (45) **Date of Patent:** **** Jul. 19, 2022**

(54) **FACE MASK**

(71) Applicant: **Victoria Iagulli**, Pemberton, NJ (US)

(72) Inventor: **Victoria Iagulli**, Pemberton, NJ (US)

(**) Term: **15 Years**

(21) Appl. No.: **29/759,573**

(22) Filed: **Nov. 24, 2020**

(51) **LOC (13) Cl.** **29-02**

(52) **U.S. Cl.**
USPC **D29/108; D24/110.1**

(58) **Field of Classification Search**
USPC D2/866; D24/110.1, 110.2, 127;
D29/105, 107, 108, 110, 129

CPC A41D 13/11; A41D 13/1107; A41D
13/1161; A42B 3/225

See application file for complete search history.

(56) **References Cited**

U.S. PATENT DOCUMENTS

3,695,265	A	10/1972	Brevik	
D236,033	S *	7/1975	Dryden	D24/110.4
D248,497	S *	7/1978	Slosek	D24/162
D265,006	S *	6/1982	Levy	D24/110.1
4,520,509	A *	6/1985	Ward	A41D 13/1146 128/206.28
D326,541	S *	5/1992	McBrearty, Jr.	D24/110.1
D398,987	S *	9/1998	Cotner	D24/110.4
D429,385	S *	8/2000	Lee	D29/108
6,453,902	B1	9/2002	Hollander	
D478,660	S *	8/2003	Mault	D24/110.1
6,817,362	B2 *	11/2004	Gelinas	A62B 23/025 128/206.17
7,152,601	B2	12/2006	Barakat	
D640,011	S *	6/2011	Teng	D29/108
D647,197	S *	10/2011	Grimsley	D24/110.1
D788,373	S *	5/2017	Bunge	D29/108
D844,253	S *	3/2019	Cho	D29/108
D872,256	S	1/2020	Tuan	
11,027,157	B1 *	6/2021	Mortimer	A41D 13/1107

11,202,476	B2 *	12/2021	Piatt	A41D 13/1138
2005/0284479	A1	12/2005	Schrader	
2009/0277451	A1	11/2009	Weinberg	
2009/0320849	A1 *	12/2009	Biedermann	D06M 15/263 128/206.28
2010/0218774	A1 *	9/2010	Flaherty	A41D 13/1138 29/428

(Continued)

FOREIGN PATENT DOCUMENTS

CN	304107473	*	4/2017
WO	2002049467		6/2002

(Continued)

OTHER PUBLICATIONS

Magid N95 Respirator Masks with Metal Nose Clips, available in Amazon.com, date first available Oct. 20, 2020 [online], [site visited Apr. 25, 2022], Available from the internet URL: <https://www.amazon.com/Respirator-Latex-Free-Elastic-Headband-Construction/dp/B08LHG8X3W?th=1> (Year: 2020).*

(Continued)

Primary Examiner — Jennifer L Rempfer
Assistant Examiner — Elizabeth Anne Glassberg

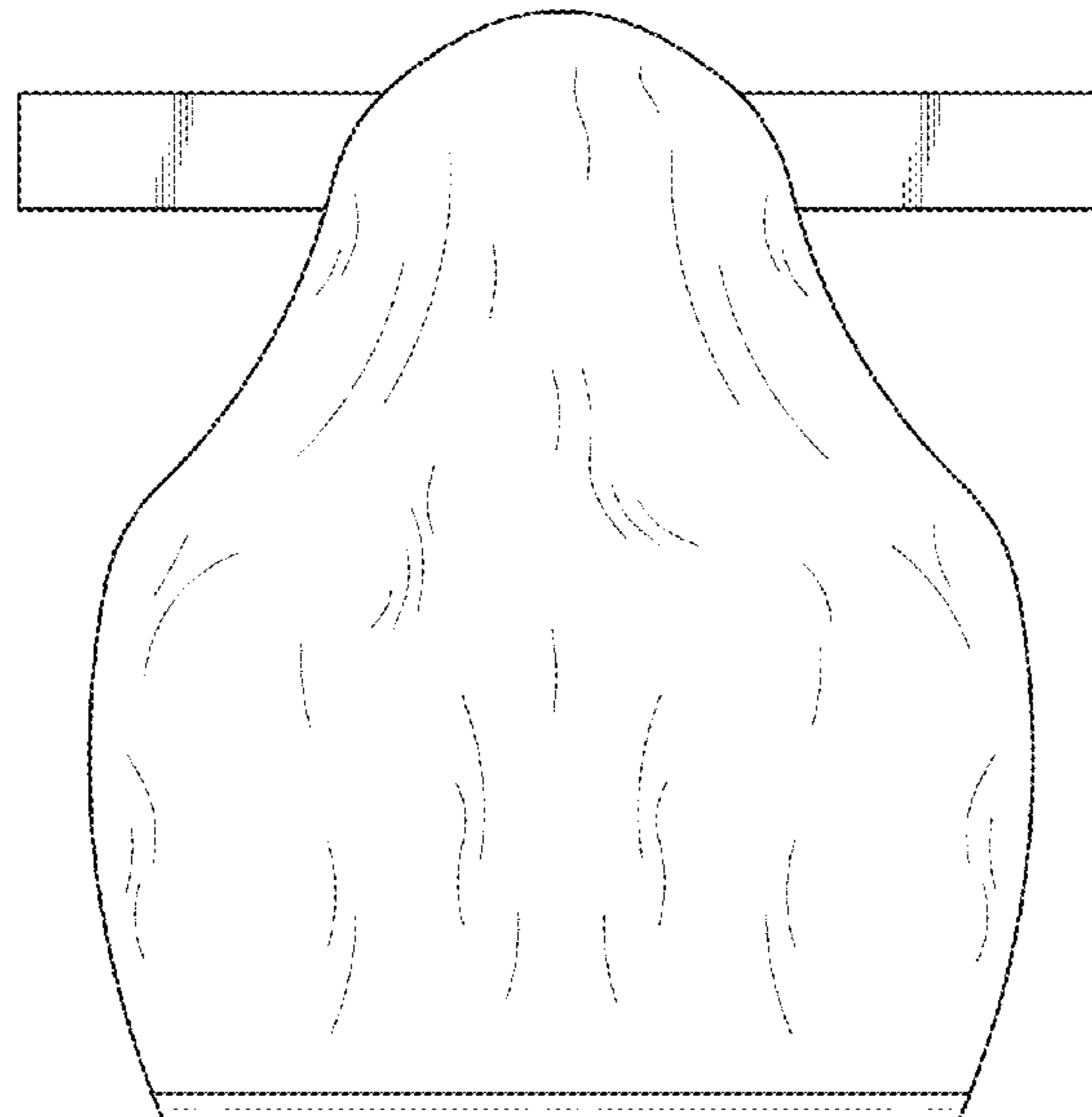
(57) **CLAIM**

I claim the ornamental design for a face mask, as shown and described.

DESCRIPTION

FIG. 1 is a front view of the face mask.
FIG. 2 is a rear view of the claimed design.
FIG. 3 is a left side view of the claimed design.
FIG. 4 is a right side view of the claimed design.
FIG. 5 is a top view of the claimed design.
FIG. 6 is a bottom view of the claimed design; and,
FIG. 7 is a perspective view of the claimed design.

1 Claim, 7 Drawing Sheets



(56)

References Cited

U.S. PATENT DOCUMENTS

2014/0216479 A1* 8/2014 Jeong A62B 18/025
128/863
2016/0193486 A1* 7/2016 Walker A41D 13/1146
128/206.17
2016/0332008 A1 11/2016 McAndrews
2021/0401084 A1* 12/2021 Lamoncha A41D 13/1161
2022/0079263 A1* 3/2022 Cohen A41D 13/1161

FOREIGN PATENT DOCUMENTS

WO D212488-001 * 2/2021
WO D212488-002 * 2/2021

OTHER PUBLICATIONS

Resmed F20 AirTouch Small With Headgear, available in Amazon.ca, date first available Apr. 22, 2020 [online], [site visited Apr. 26, 2022], Available from the internet URL: <https://www.amazon.ca/Resmed-F20-AirTouch-Small-Headgear/dp/B087JHPHHJ> (Year: 2020).*

* cited by examiner

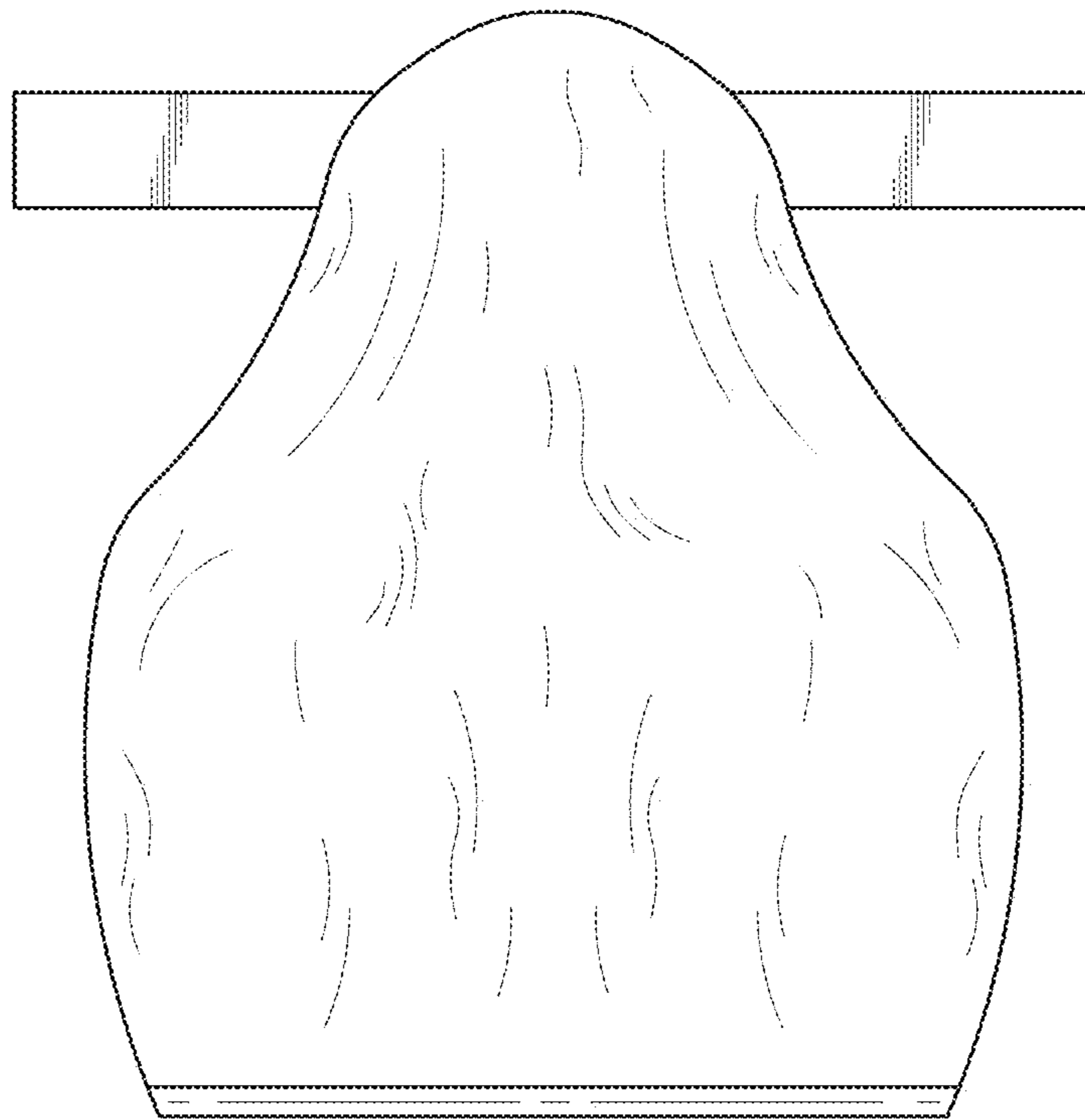


FIG. 1

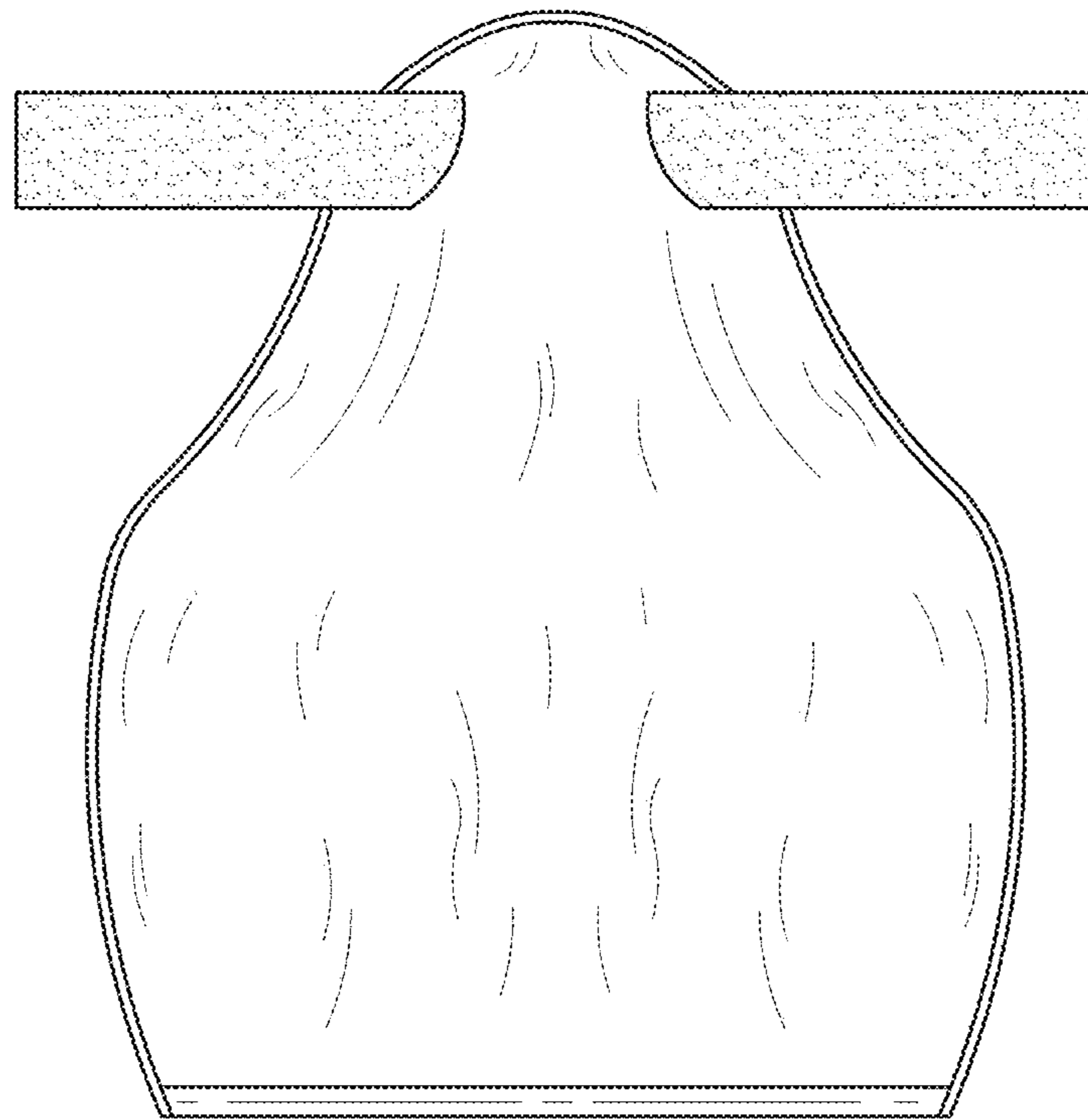


FIG. 2

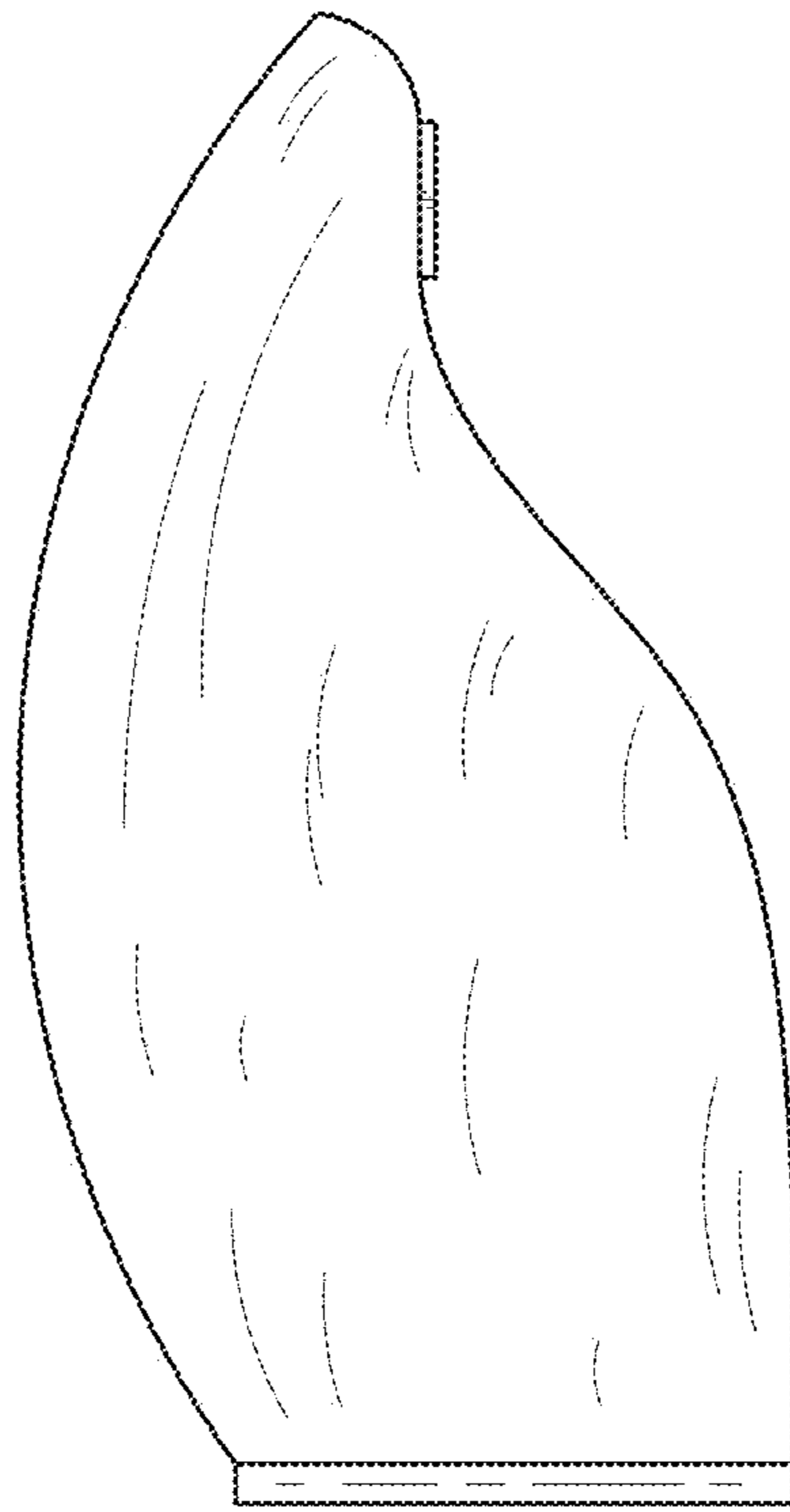


FIG. 3

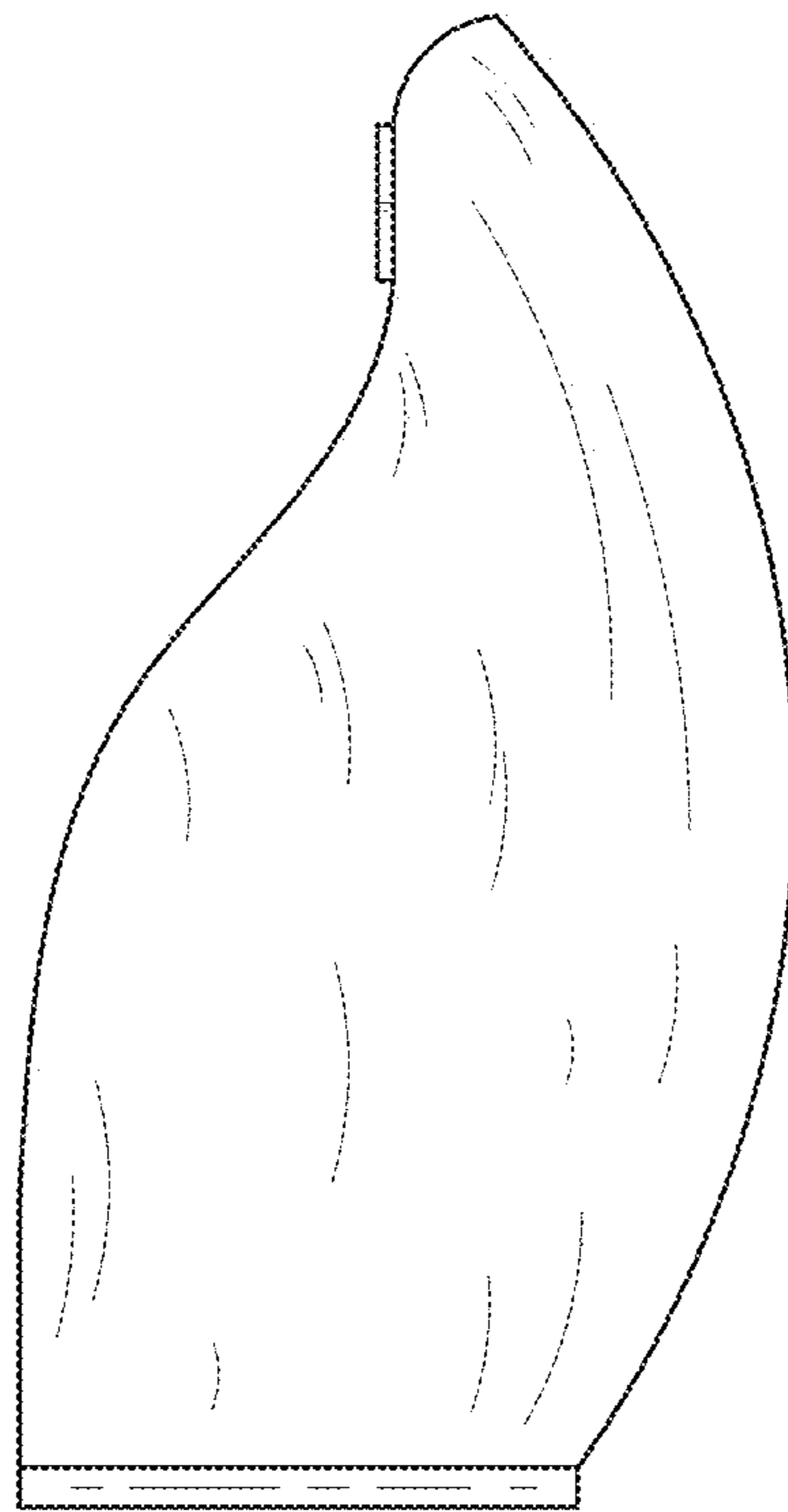


FIG. 4

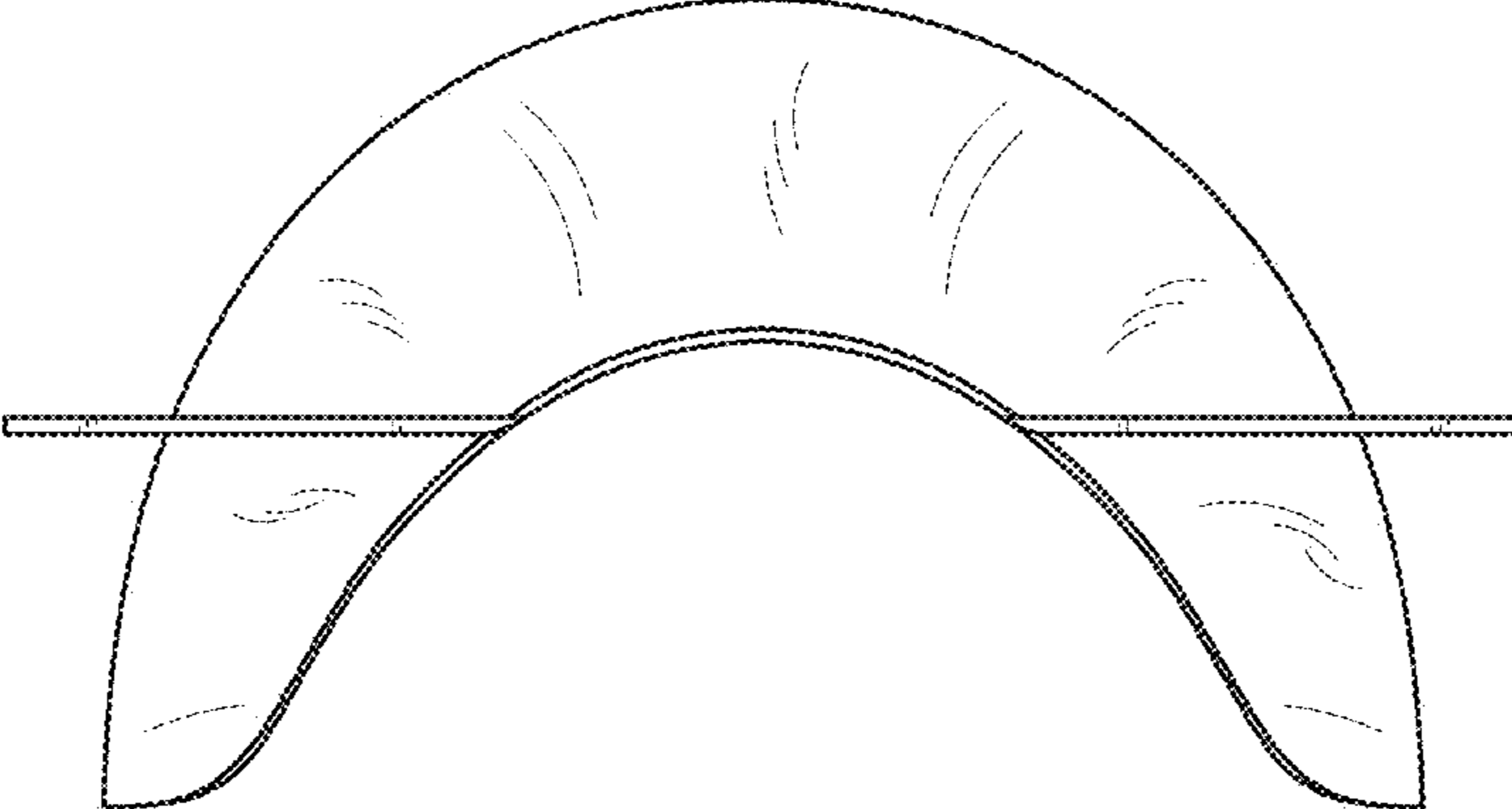


FIG. 5

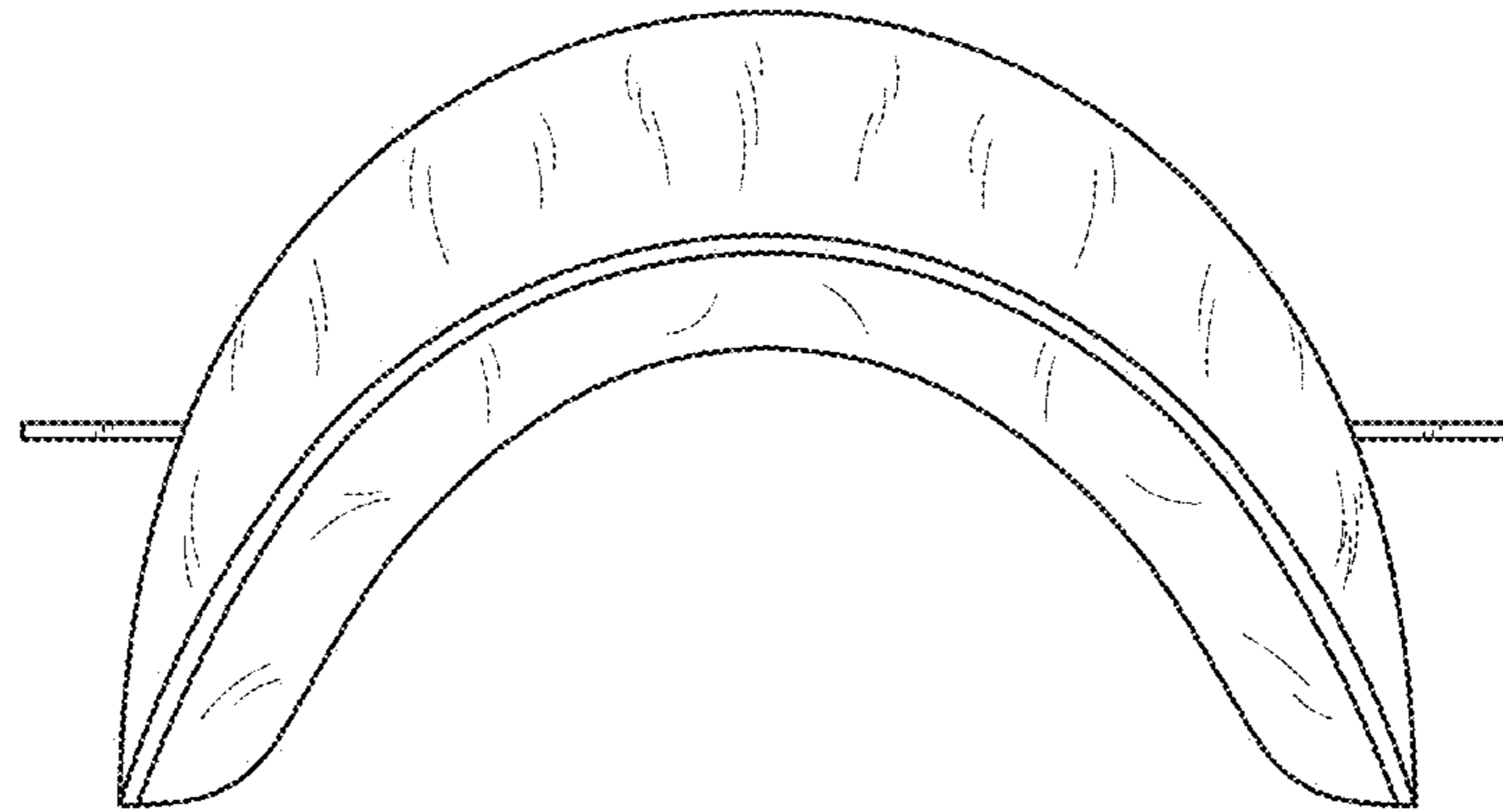


FIG. 6

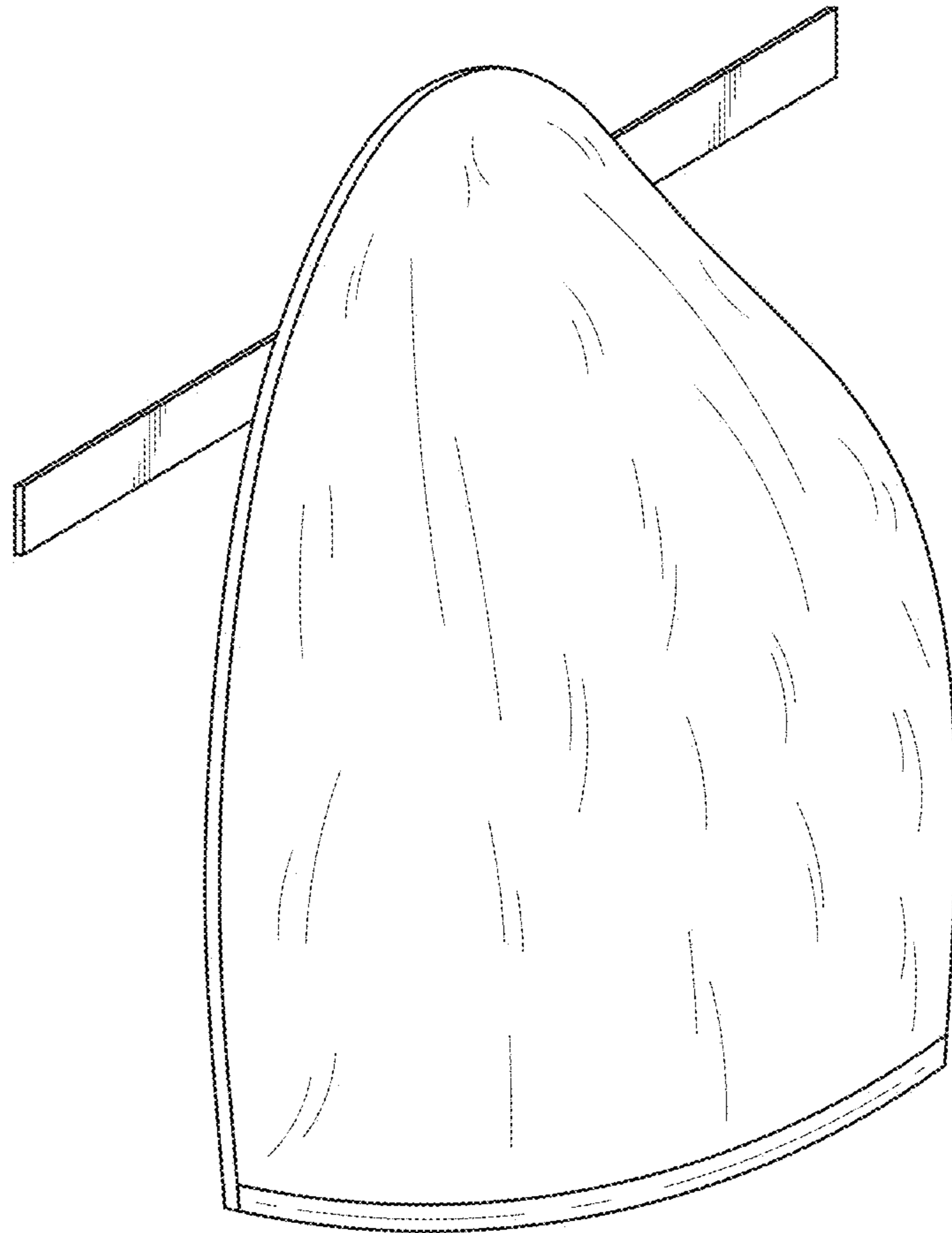


FIG. 7