



US00D958462S

(12) **United States Design Patent**
Anousis

(10) **Patent No.:** **US D958,462 S**
(45) **Date of Patent:** **** Jul. 19, 2022**

(54) **FENCING BIB**
(71) Applicant: **Angelica Anousis**, Quincy, MA (US)
(72) Inventor: **Angelica Anousis**, Quincy, MA (US)
(**) Term: **15 Years**
(21) Appl. No.: **29/728,911**
(22) Filed: **Mar. 23, 2020**
(51) **LOC (13) Cl.** **29-02**
(52) **U.S. Cl.**
USPC **D29/101.3; D2/860**
(58) **Field of Classification Search**
USPC D29/100–101.5; D2/829, 830, 728, 739,
D2/861, 862, 864, 860; 463/47.1
CPC A41D 1/04; A41D 13/00; A41D 13/0012;
A41D 13/0015; A41D 13/0518; A41D
13/0568; A41D 13/04; A41D 13/05;
F41H 1/02; F41H 5/08; A63B 69/02;
A63B 71/0605; A63B 2209/10; F41B
13/02; A63H 33/009; B32B 3/26
See application file for complete search history.

(56) **References Cited**

U.S. PATENT DOCUMENTS

1,582,517 A * 4/1926 Gurwitz A41D 13/0012
2/51
D304,875 S * 12/1989 Benson D2/861
D325,115 S * 4/1992 Vassar, Sr. D2/864
5,273,607 A * 12/1993 O'Scanlon A63H 33/009
156/277
5,661,851 A * 9/1997 Sanchez A41B 13/10
2/46
5,802,610 A * 9/1998 Burr A41B 13/10
156/73.1
6,000,056 A * 12/1999 Brady A41B 13/103
2/49.1
D420,204 S * 2/2000 Sasani D2/860
6,308,333 B1 * 10/2001 Jackson A41B 13/10
2/49.1
D463,653 S * 10/2002 Maw D2/860

D525,766 S * 8/2006 Lown B65D 33/08
D2/860
7,100,211 B2 * 9/2006 Bruffett A41B 13/103
2/49.2
D552,911 S * 10/2007 Henning D6/592
7,380,285 B1 * 6/2008 Moreno A41D 1/00
2/244
7,520,206 B2 * 4/2009 Baker F41H 5/08
89/36.05
D627,613 S * 11/2010 Swartz D7/709
(Continued)

FOREIGN PATENT DOCUMENTS

GB 2448674 A 10/2008

OTHER PUBLICATIONS

Foam Shields—HEMA Bucklers (on-line), dated Sep. 20, 2020.
Retrieved from Internet Mar. 3, 2022, URL: <http://web.archive.org/web/20200920181630/https://www.themashop.com/hema-bucklers-1/foam-shields> (3 pages) (Year: 2020).*

(Continued)

Primary Examiner — Kimberly Barnes
(74) *Attorney, Agent, or Firm* — Stevens & Showalter
LLP

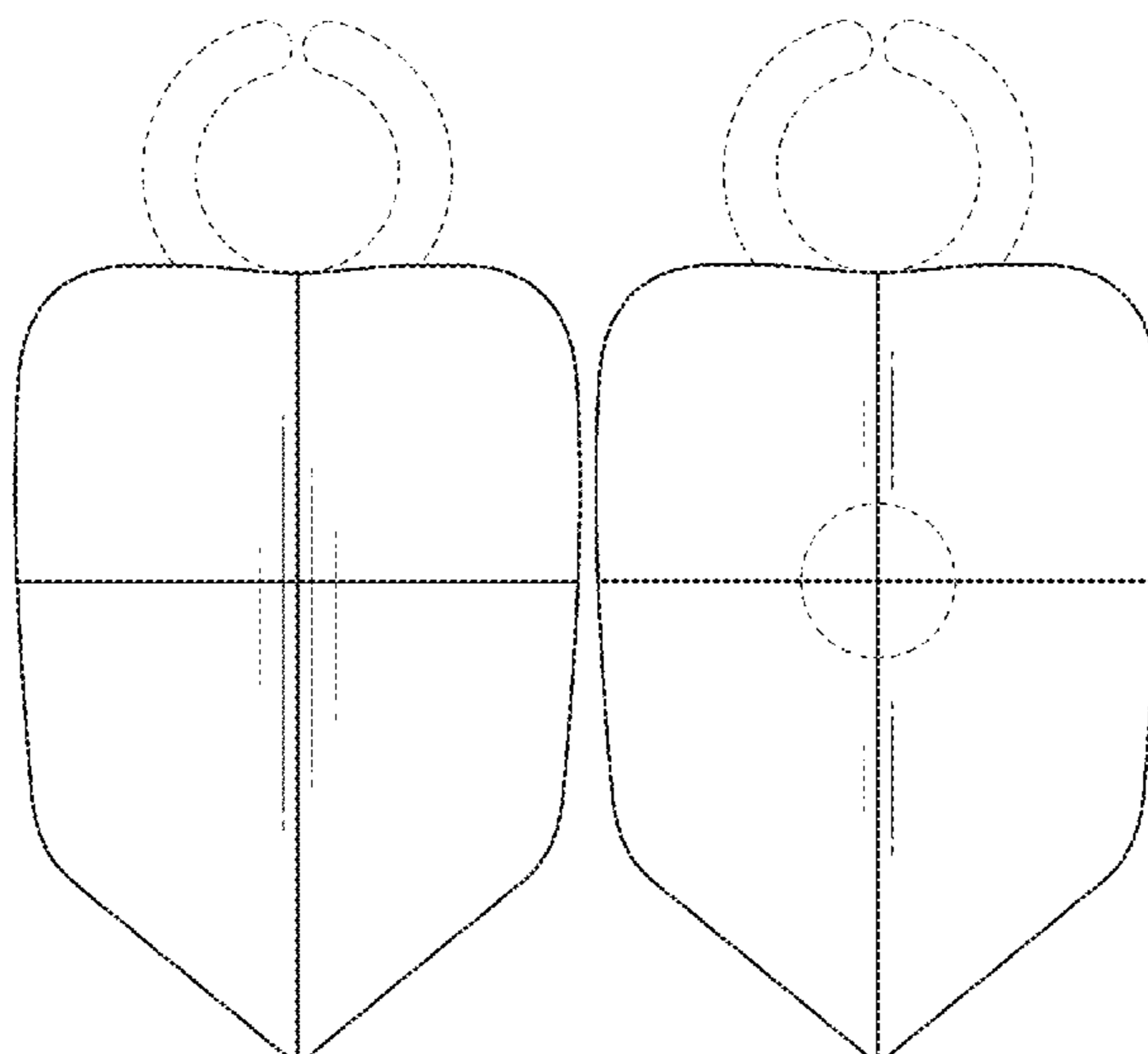
(57) **CLAIM**

The ornamental design for a fencing bib, as shown and described.

DESCRIPTION

FIG. 1 is a plan view of a first embodiment of a fencing bib in accordance with the present invention; and, FIG. 2 is a plan view of a second embodiment of a fencing bib in accordance with the present invention. The broken lines in the Figures depict portions of the fencing bib that form no part of the claimed design. The bibs are flat with no ornamentation on the rears thereof.

1 Claim, 1 Drawing Sheet



(56)

References Cited

U.S. PATENT DOCUMENTS

7,845,265 B1 * 12/2010 Park F41H 5/0464
 89/36.02
 D631,232 S * 1/2011 Lewis D2/864
 7,891,231 B2 * 2/2011 Song A63B 71/0605
 73/12.09
 D661,468 S * 6/2012 Michaels D2/864
 D690,909 S * 10/2013 Albers D2/864
 8,853,891 B2 * 10/2014 Soar H02J 50/90
 307/104
 9,125,438 B2 * 9/2015 Adler A41B 13/103
 9,210,954 B1 * 12/2015 Eischeid A61F 7/10
 9,683,816 B2 * 6/2017 Dry F41H 5/007
 9,803,960 B2 * 10/2017 Banducci F41H 5/08
 D815,805 S * 4/2018 Davis D2/861
 10,034,499 B2 * 7/2018 Blackshear A41D 13/04
 D855,290 S * 8/2019 Connors D2/860
 D882,213 S * 4/2020 King D2/864
 D903,985 S * 12/2020 Cannon D2/864

2007/0111636 A1 * 5/2007 Hatherley A63H 33/009
 446/473
 2009/0044307 A1 * 2/2009 Johnson A41B 13/10
 2/49.1
 2010/0107294 A1 * 5/2010 Gillian A41B 13/10
 2/49.5
 2012/0028721 A1 2/2012 Johnson et al.
 2019/0145740 A1 * 5/2019 Czernski F41H 1/02
 2/463
 2021/0291030 A1 * 9/2021 Anousis F41B 13/02

OTHER PUBLICATIONS

Ferrara et al.; "Intelligent design with chromogenic materials"; Dec. 8, 2014; Journal of the International Colour Association (2014); p. 54-66.
 Highams Park Fencing Club, Basics; retrieved Mar. 13, 2020 from <http://www.hpfc.org.uk/basics.htm>.
 U.S. patent application entitled "Fencing Training Devices and Methods of Use" with inventor Angelica Anousis.

* cited by examiner

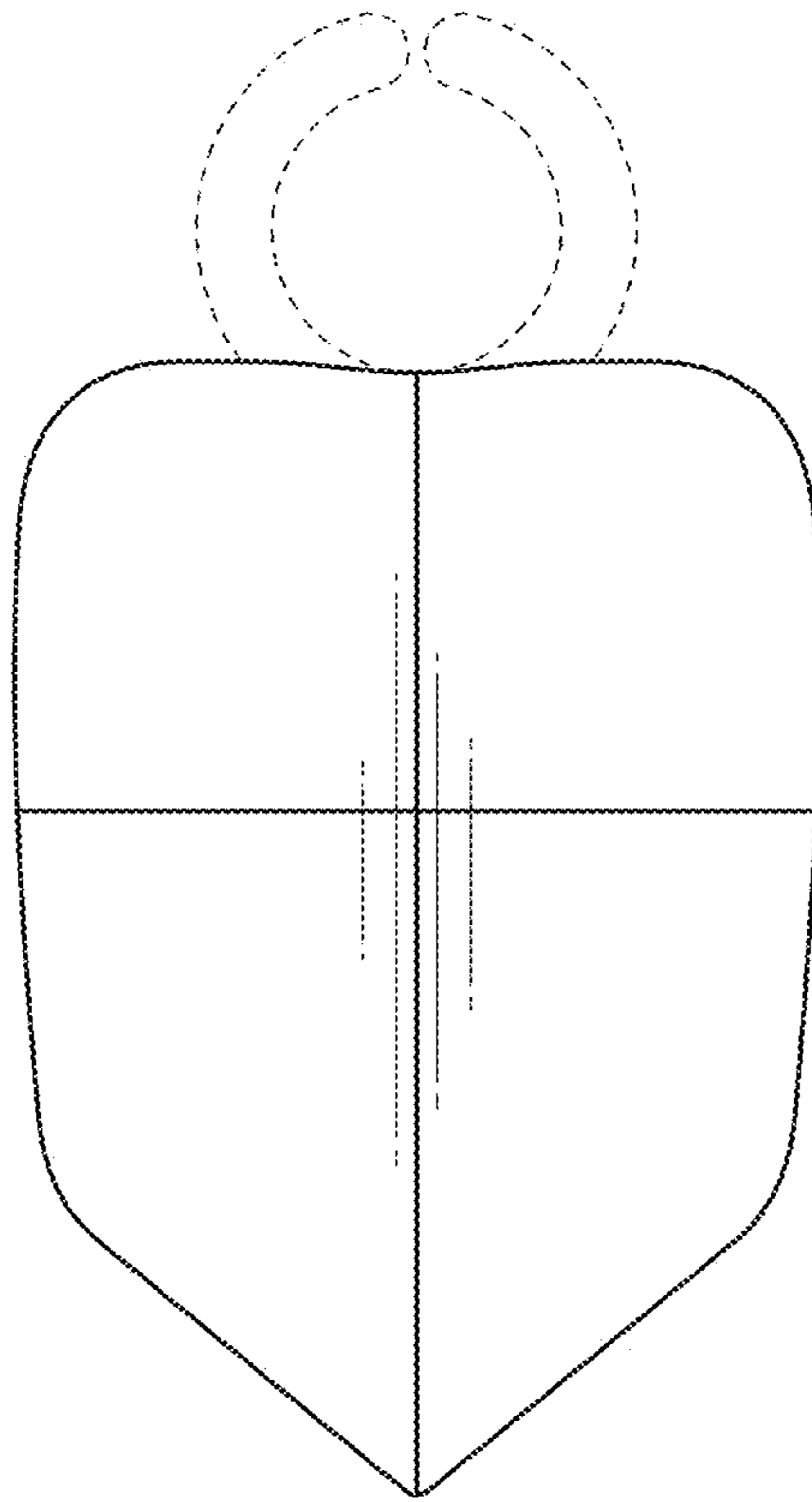


FIG. 1

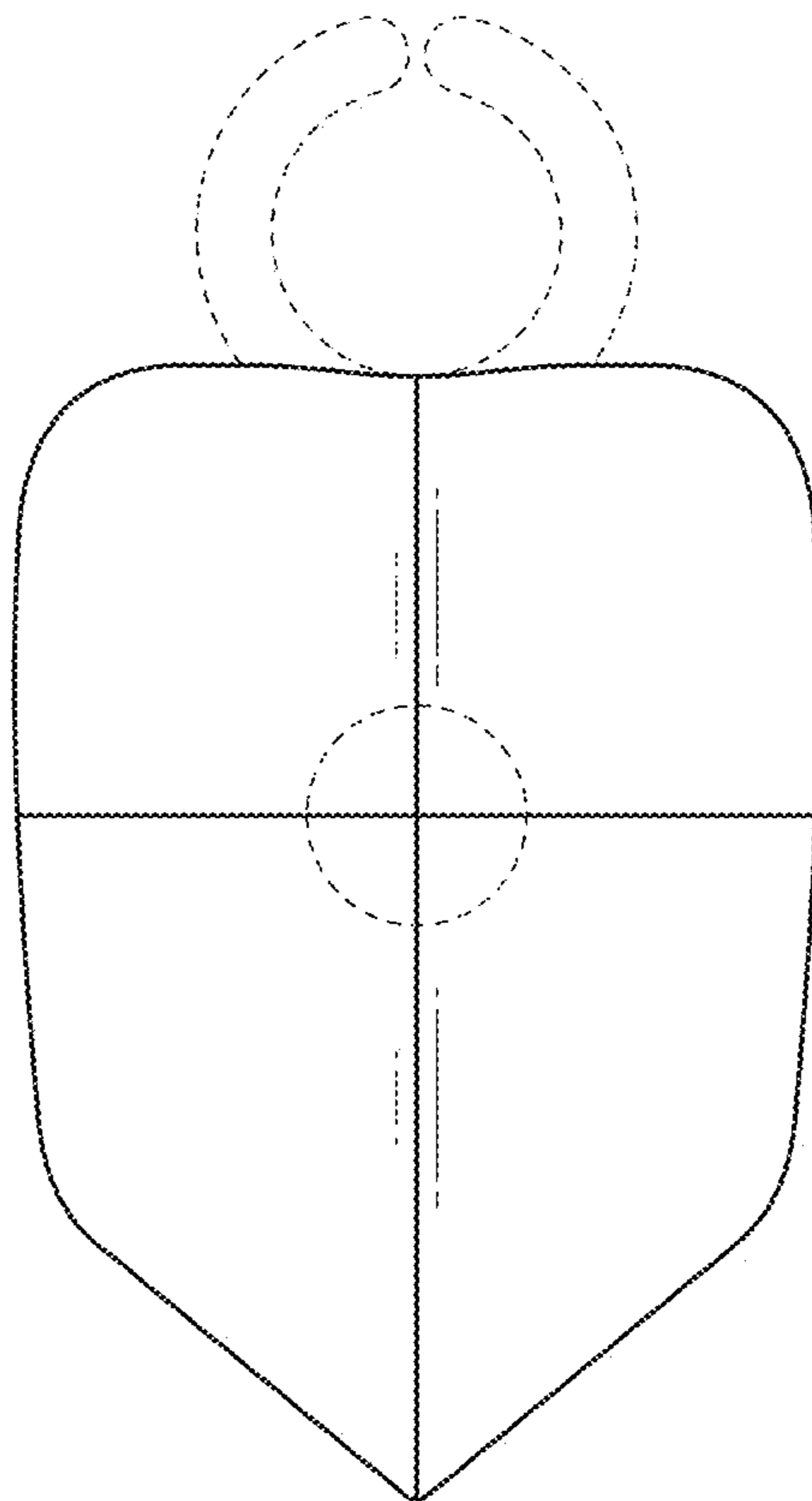


FIG. 2