



US00D958460S

(12) **United States Design Patent** (10) **Patent No.:** **US D958,460 S**
Paulsmeyer (45) **Date of Patent:** **** Jul. 19, 2022**

(54) **CLIPPER**
(71) Applicant: **Doots, LLC**, Lafayette, CO (US)
(72) Inventor: **Todd Paulsmeyer**, Lafayette, CO (US)
(73) Assignee: **Doots, LLC**, Lafayette, CO (US)
(**) Term: **15 Years**

5,791,049 A 8/1998 Dolev
5,918,375 A 7/1999 Rossi, III
D413,412 S 8/1999 Chiu
D446,352 S 8/2001 Grayson
D498,333 S 11/2004 Di Bitonto et al.
D629,566 S 12/2010 Vicari et al.
D634,066 S 3/2011 Mengri
(Continued)

(21) Appl. No.: **29/785,792**
(22) Filed: **May 27, 2021**

FOREIGN PATENT DOCUMENTS

CN 2788635 6/2006
CN 104544900 4/2015
(Continued)

Related U.S. Application Data

(63) Continuation of application No. 29/734,106, filed on May 8, 2020, now Pat. No. Des. 921,986, which is a continuation of application No. 16/831,358, filed on Mar. 26, 2020.

(51) **LOC (13) Cl.** **28-03**
(52) **U.S. Cl.**
USPC **D28/60**

(58) **Field of Classification Search**
USPC D28/60
CPC A45D 29/023; A45D 29/02; A45D 29/00;
A45D 29/18; A45D 2029/026
See application file for complete search history.

OTHER PUBLICATIONS

U.S. Appl. No. 29/734,106, filed May 8, 2020.
(Continued)

Primary Examiner — Jennifer Rivard
(74) *Attorney, Agent, or Firm* — Craig R. Miles; CR Miles P.C.

(57) **CLAIM**

I claim the ornamental design for a clipper, as shown and described.

DESCRIPTION

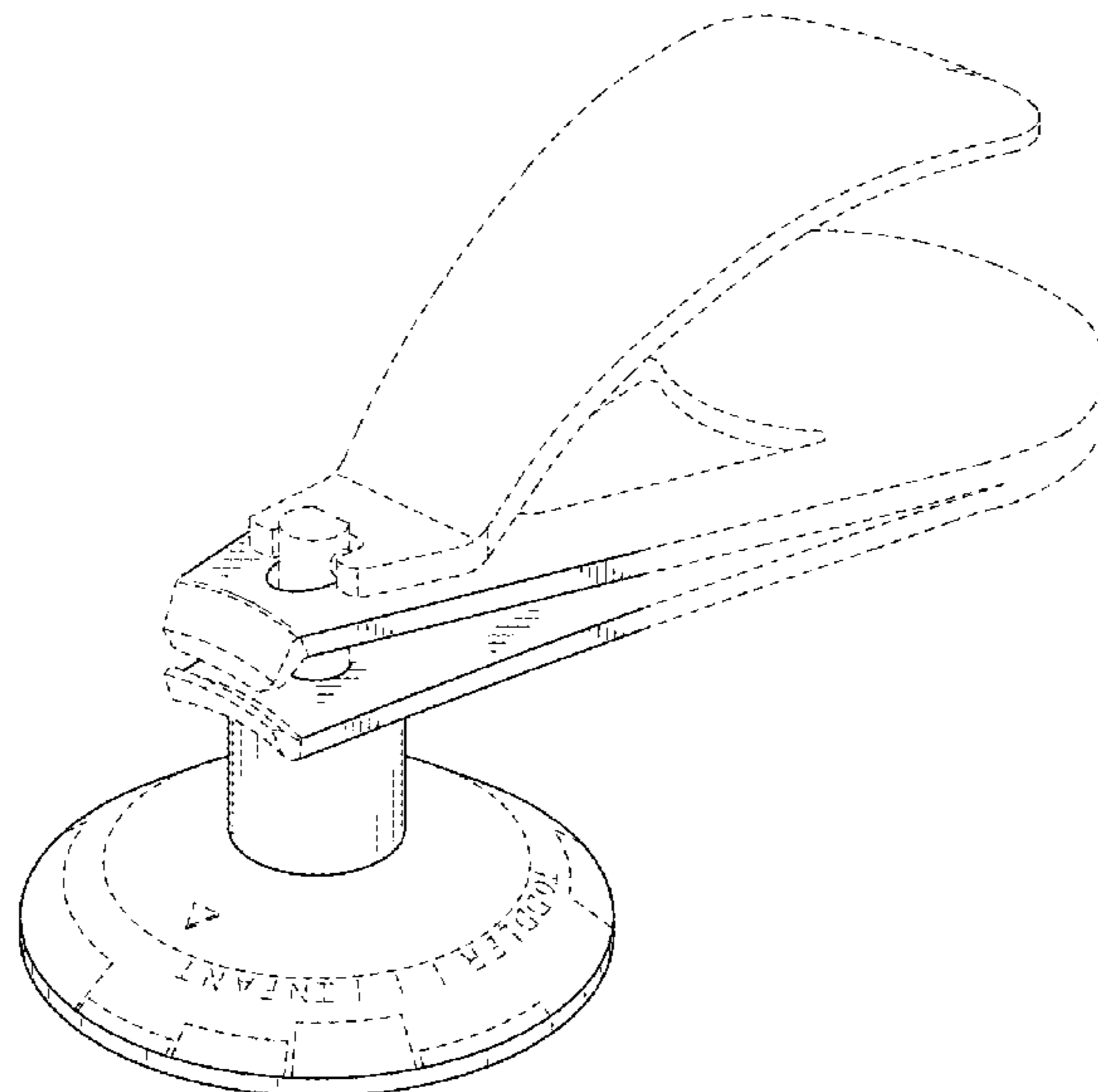
FIG. 1 is a top and first side perspective view of a nail clipper, embodying the design;
FIG. 2 is a front elevation view thereof;
FIG. 3 is a rear elevation view thereof;
FIG. 4 is a first side elevation view thereof;
FIG. 5 is a second side elevation view thereof;
FIG. 6 is a top plan view thereof; and,
FIG. 7 is a bottom plan view thereof.
The broken lines shown are included for the purpose of illustrating the unclaimed portions of the article and form no part of the claim.

(56) **References Cited**

U.S. PATENT DOCUMENTS

797,576 A 8/1905 Havell
3,180,025 A 4/1965 Tsunemi
3,555,675 A 1/1971 Jurena
3,744,131 A 7/1973 Manes
3,832,771 A 9/1974 Morgan
4,228,585 A 10/1980 Nelson
4,819,673 A 4/1989 McMullen, Jr.
4,982,747 A 1/1991 Shah
5,533,262 A 7/1996 Clark
5,622,191 A 4/1997 McMullen, Jr.
D384,773 S 10/1997 Dunn

1 Claim, 7 Drawing Sheets



(56)

References Cited

U.S. PATENT DOCUMENTS

D726,374 S 4/2015 Kim
9,398,797 B2 7/2016 Li et al.
10,420,409 B1 9/2019 Crolley
D921,986 S * 6/2021 Paulsmeyer A45D 29/02
D28/60
2010/0257740 A1 10/2010 Wu et al.
2017/0065052 A1 3/2017 Yun
2017/0325567 A1 11/2017 Nikaran et al.

FOREIGN PATENT DOCUMENTS

EP 1397057 3/2006
FR 2600522 A3 12/1987
JP 3205053 U 6/2016
KR 10-2010-0120250 A 11/2010
WO WO 2013/142011 9/2013

OTHER PUBLICATIONS

U.S. Appl. No. 29/734,106, Office Action dated Oct. 8, 2020.
PCT International Patent Application No. PCT/US20/26328; International Search Report and Written Opinion of the International Searching Authority dated Jun. 15, 2020, 12 pages.
U.S. Appl. No. 62/876,509, filed Jul. 19, 2019.
U.S. Appl. No. 62/828,740, filed Apr. 3, 2019.
U.S. Appl. No. 16/831,358, filed Mar. 26, 2020.

* cited by examiner

FIG. 1

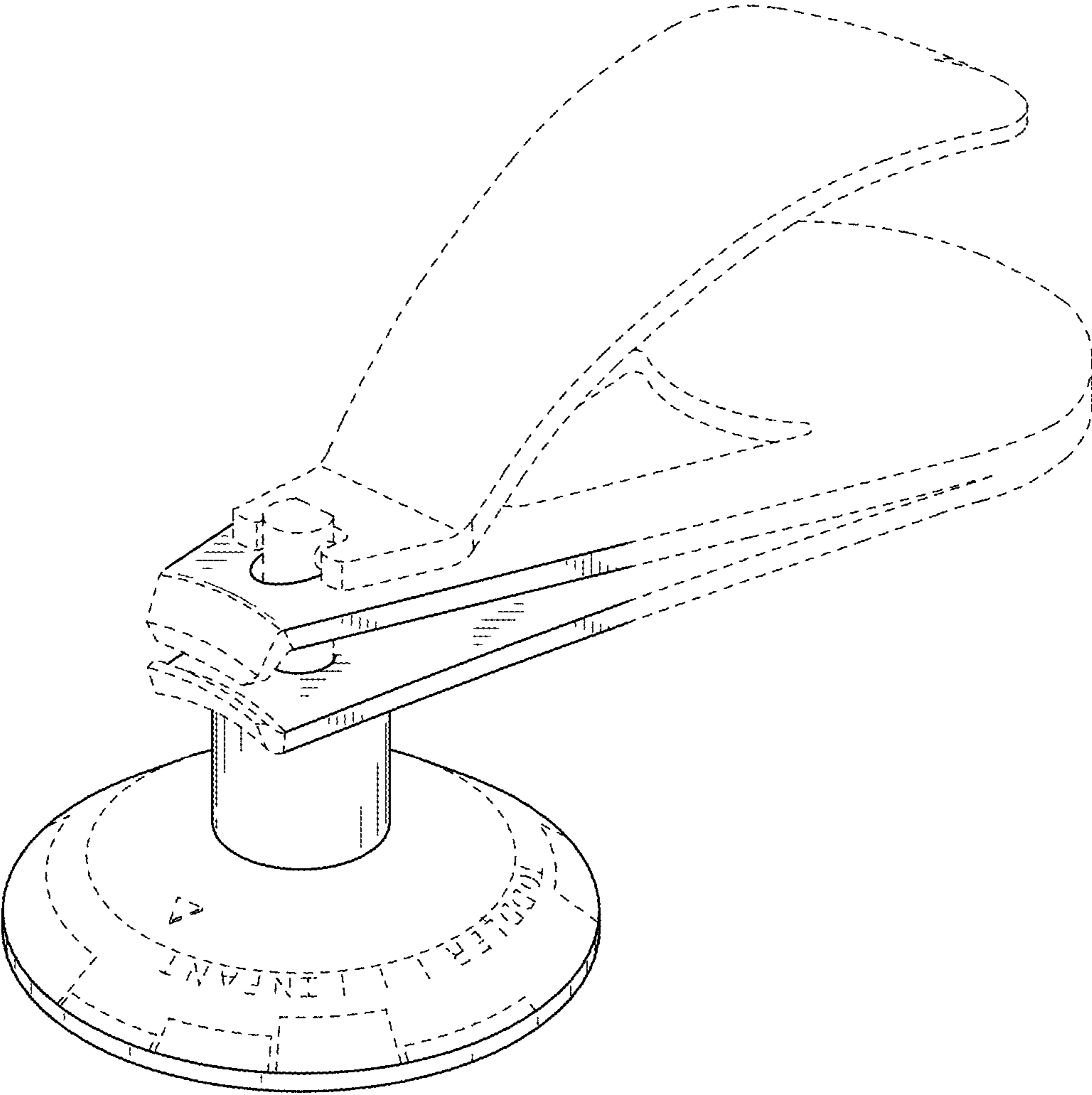


FIG. 2

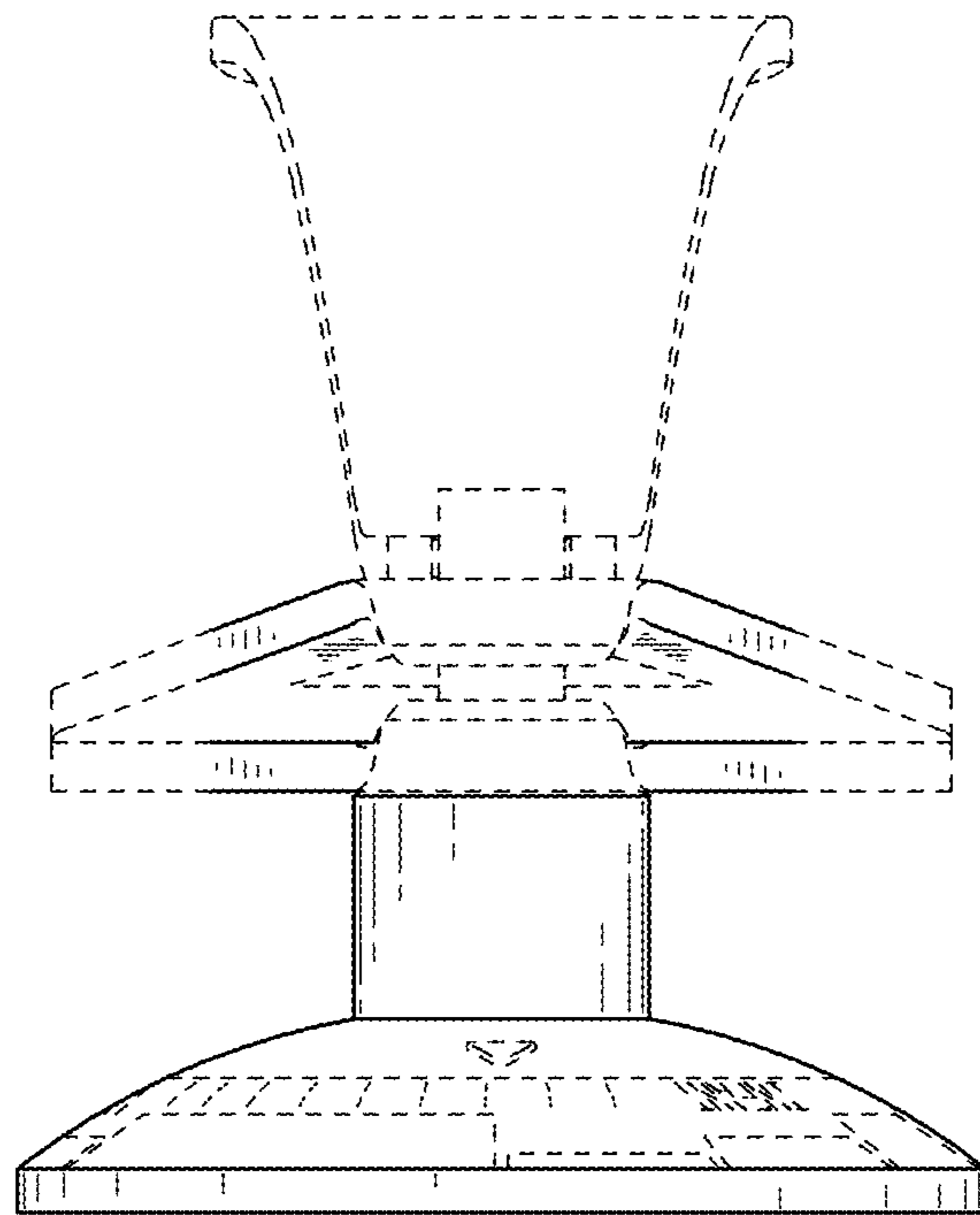


FIG. 3

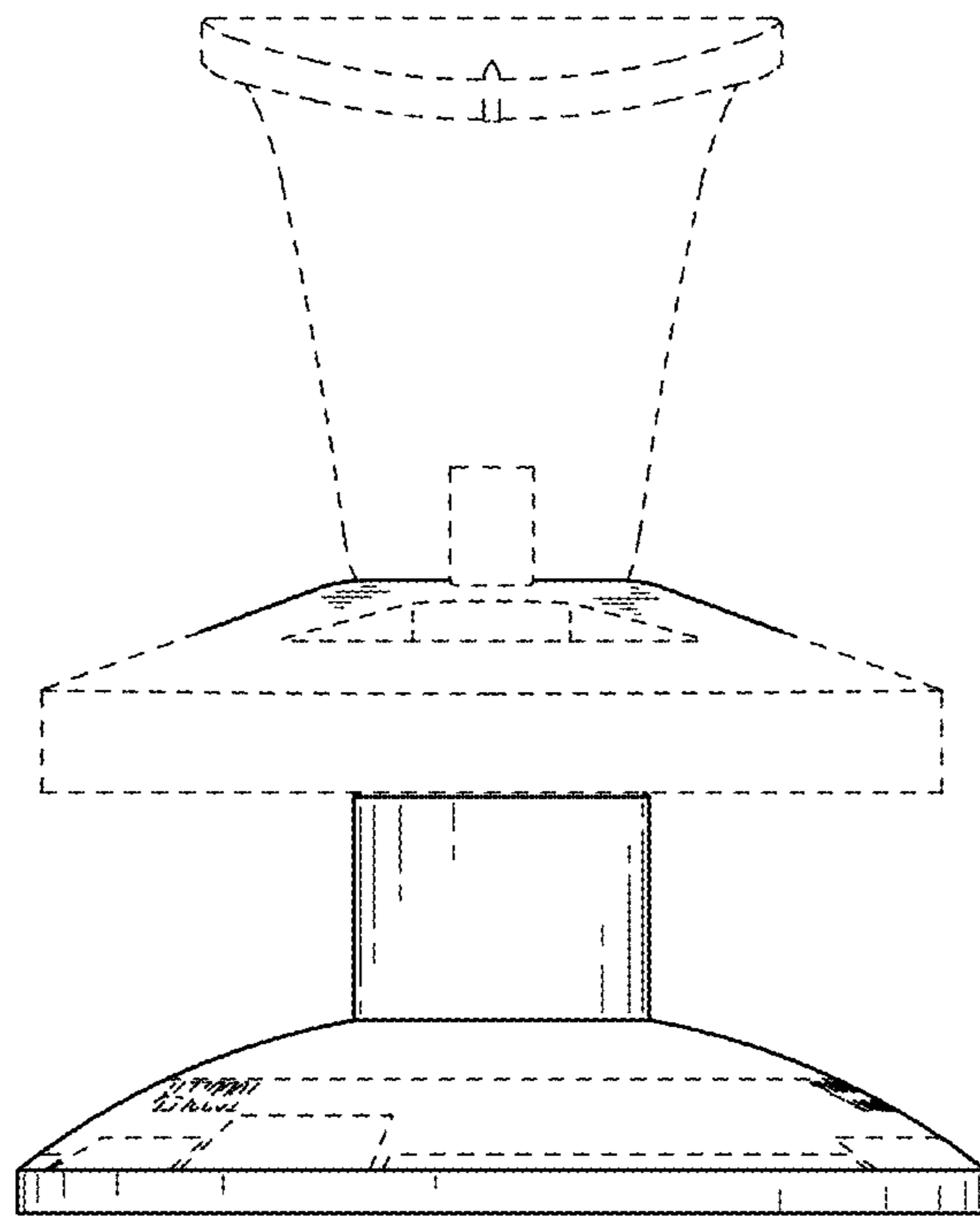


FIG. 4

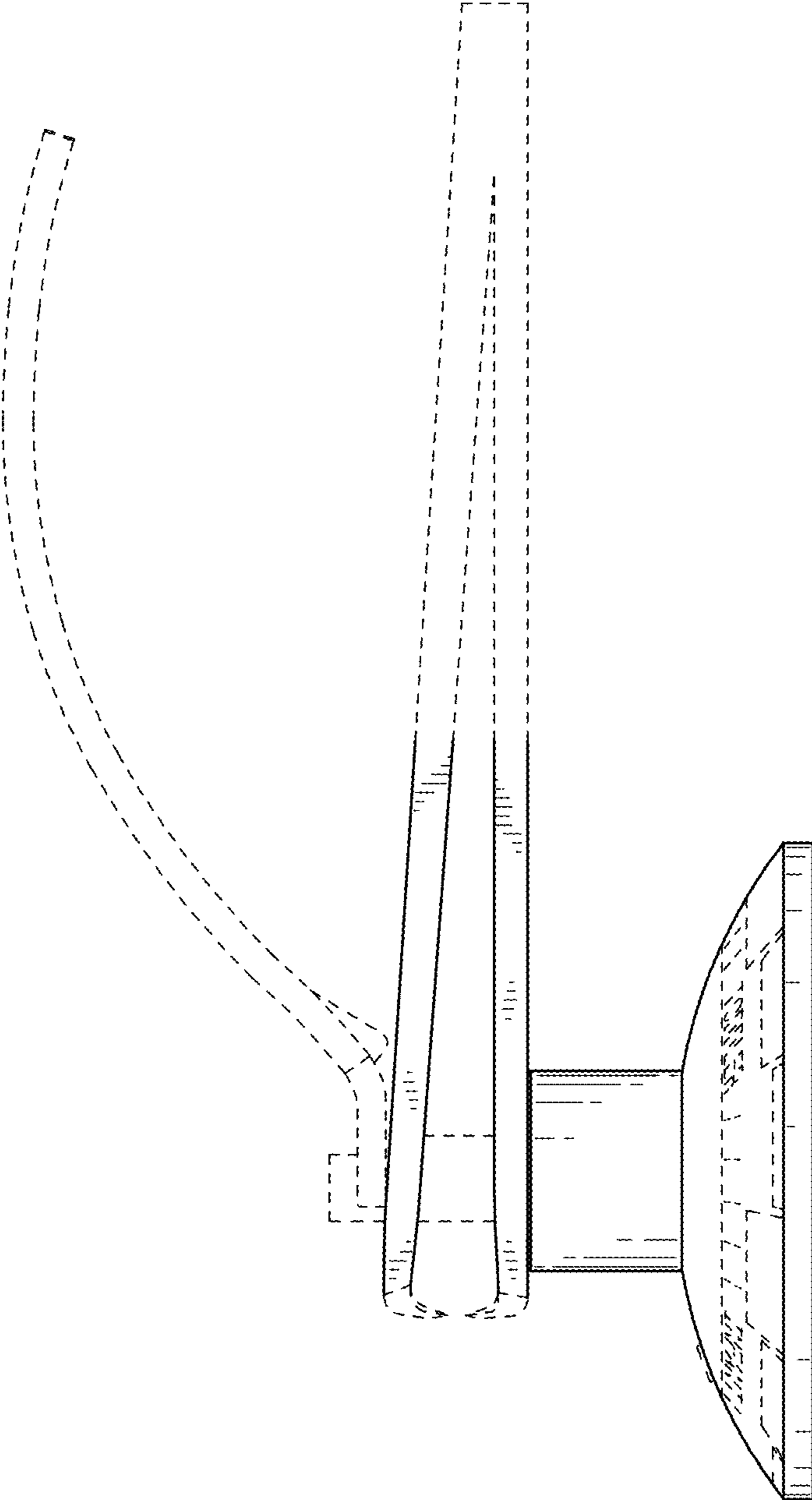


FIG. 5

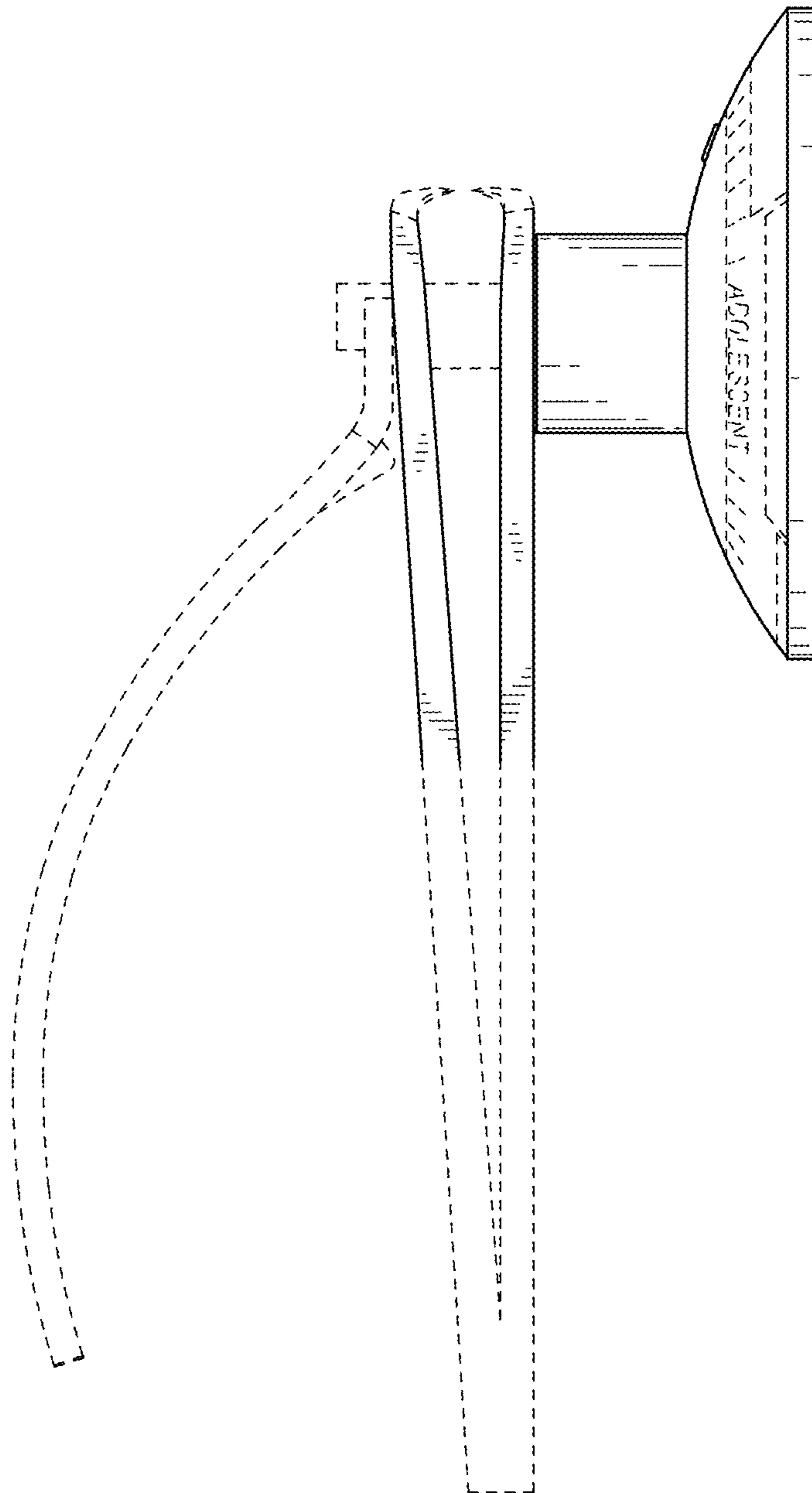


FIG. 6

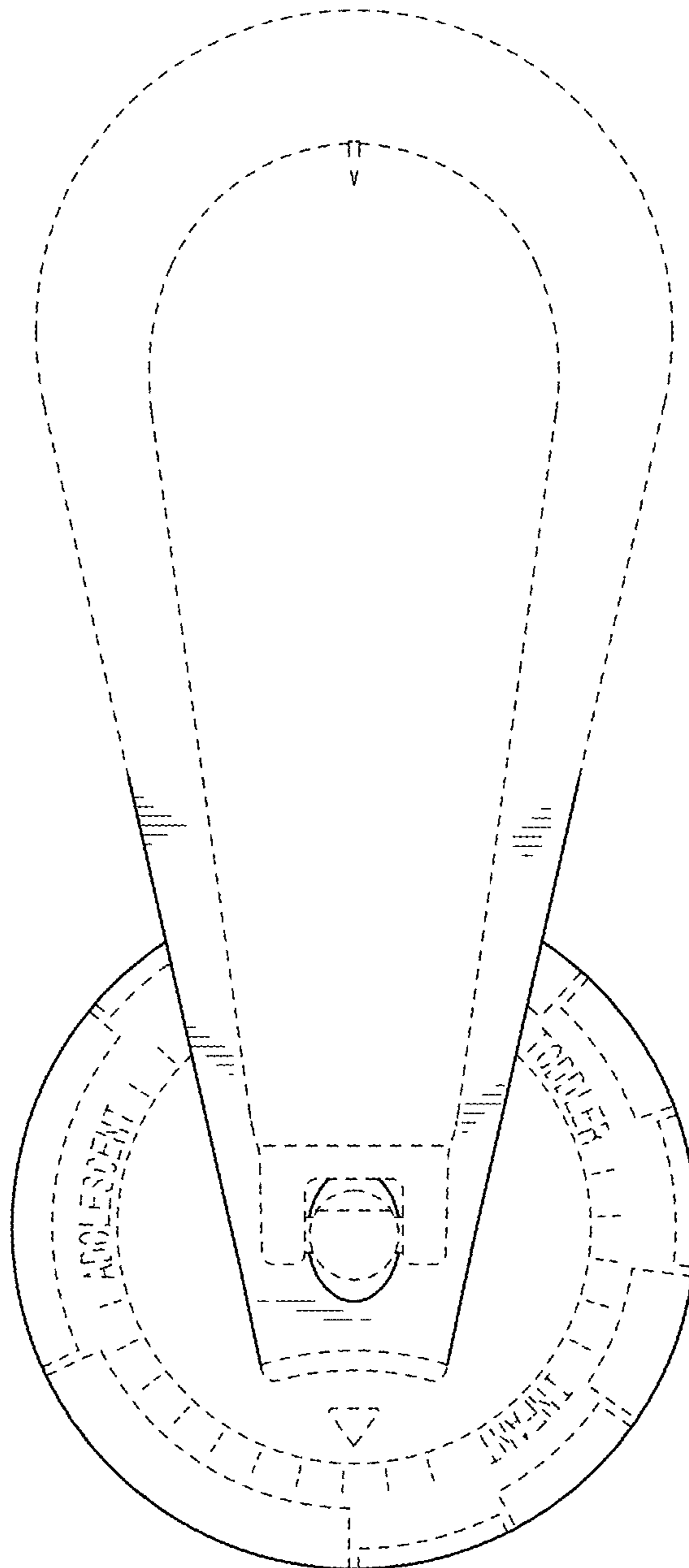


FIG. 7

