



US00D958458S

(12) **United States Design Patent** (10) **Patent No.:** **US D958,458 S**
Andersson et al. (45) **Date of Patent:** **** Jul. 19, 2022**

- (54) **SHAVER**
- (71) Applicant: **KONINKLIJKE PHILIPS N.V.**,
Eindhoven (NL)
- (72) Inventors: **Jens Peter Kophmann Andersson**,
Amsterdam (NL); **Seth Peter Malkin**
Frankel, Amsterdam (NL)
- (73) Assignee: **KONINKLIJKE PHILIPS N.V.**,
Eindhoven (NL)
- (**) Term: **15 Years**
- (21) Appl. No.: **29/734,847**
- (22) Filed: **May 15, 2020**

D777,375	S	*	1/2017	Frankel	D28/50
D777,376	S	*	1/2017	Frankel	D28/50
9,919,437	B2	*	3/2018	Veltman	B26B 19/388
D848,072	S	*	5/2019	Prat-Pfister	D28/50
10,357,890	B2	*	7/2019	Yan	B26B 19/3866
10,471,612	B2	*	11/2019	Shimizu	B26B 19/146
D880,064	S	*	3/2020	Andersson	D28/50
D884,972	S	*	5/2020	Andersson	D28/50
D889,042	S	*	6/2020	Andersson	D28/50
10,926,425	B2	*	2/2021	Zak	B26B 19/3846
D912,902	S	*	3/2021	Andersson	D28/50
D914,290	S	*	3/2021	Kulshreshtha	D28/50
10,946,536	B2	*	3/2021	Winters	B26B 19/146
D932,697	S	*	10/2021	Van Roosmalen	D28/50
D932,698	S	*	10/2021	Van Roosmalen	D28/50
D932,699	S	*	10/2021	Van Roosmalen	D28/50
D932,700	S	*	10/2021	Van Roosmalen	D28/50
D933,894	S	*	10/2021	Van Roosmalen	D28/50
D934,502	S	*	10/2021	Van Roosmalen	D28/50
2021/0069920	A1	*	3/2021	Kulshreshtha	B26B 19/386

* cited by examiner

Related U.S. Application Data

- (63) Continuation of application No. 29/661,107, filed on Aug. 24, 2018, now Pat. No. Des. 884,972.

Primary Examiner — Jennifer Rivard

(30) **Foreign Application Priority Data**

Apr. 12, 2018 (EM) 005231099

(57) **CLAIM**

The ornamental design for a shaver, as shown and described.

(51) **LOC (13) Cl.** **28-03**

DESCRIPTION

(52) **U.S. Cl.**
USPC **D28/54**

(58) **Field of Classification Search**
USPC D28/50-54
CPC B26B 19/14-18; B26B 19/3846; B26B
19/3873-3893; B26B 19/3853-3866
See application file for complete search history.

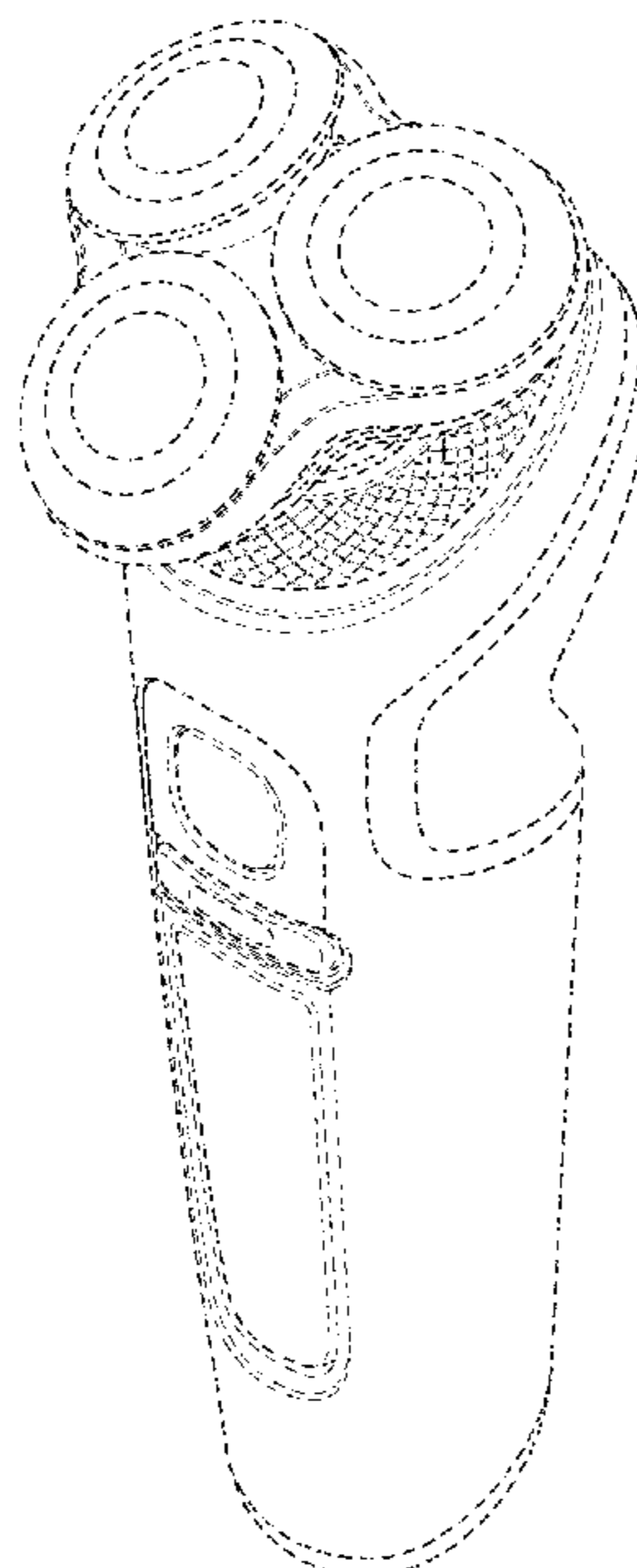
FIG. 1 is a perspective view showing a shaver according to our design;
FIG. 2 is a front elevational view thereof;
FIG. 3 is a rear elevational view thereof;
FIG. 4 is a right side elevational view thereof;
FIG. 5 is a left side elevational view thereof;
FIG. 6 is a top plan view thereof; and,
FIG. 7 is a bottom plan view thereof.
The portions of the shaver shown in broken lines are included for the purpose of illustrating unclaimed portions of the shaver and form no part of the claimed design.

(56) **References Cited**

U.S. PATENT DOCUMENTS

- D758,014 S * 5/2016 Smith D28/50
- D758,017 S * 5/2016 Smith D28/54

1 Claim, 7 Drawing Sheets



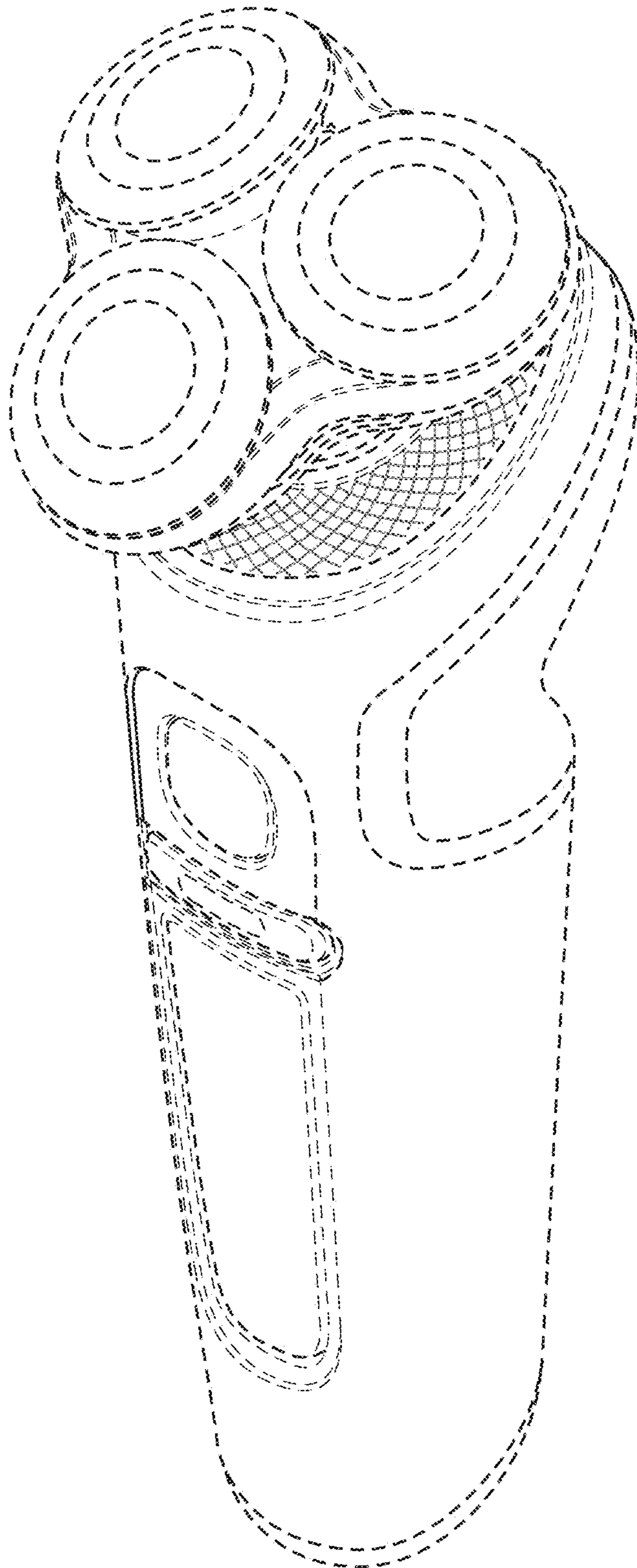


FIG. 1

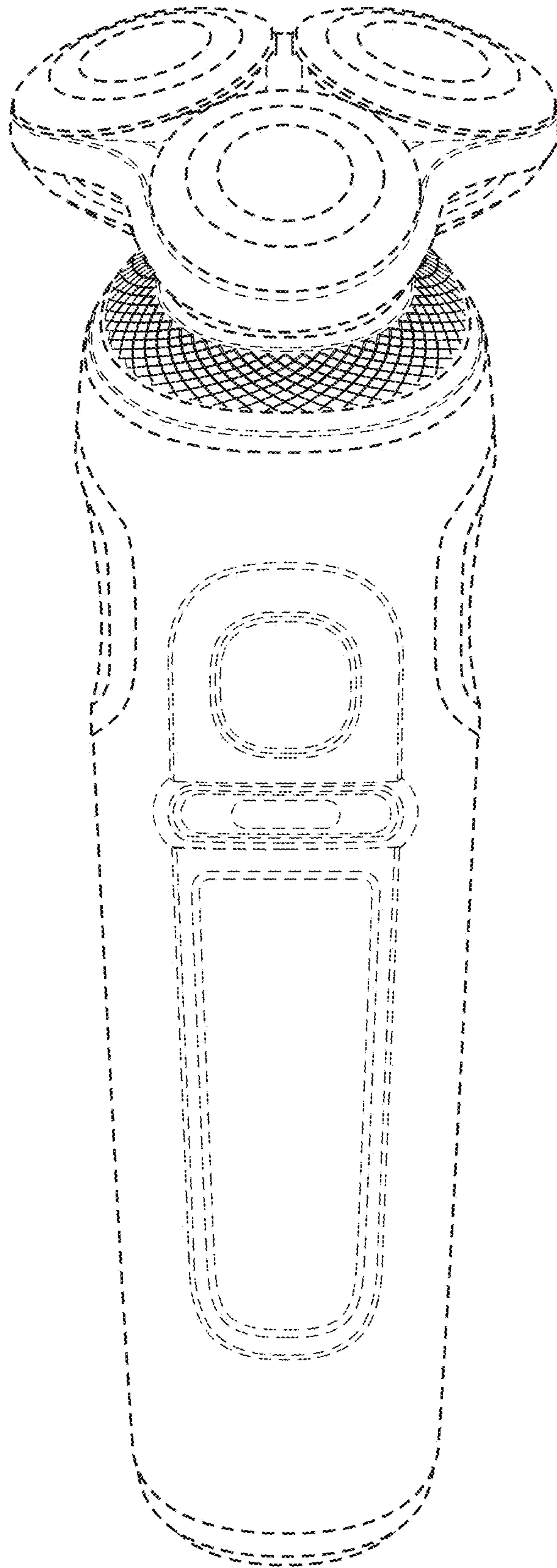


FIG. 2

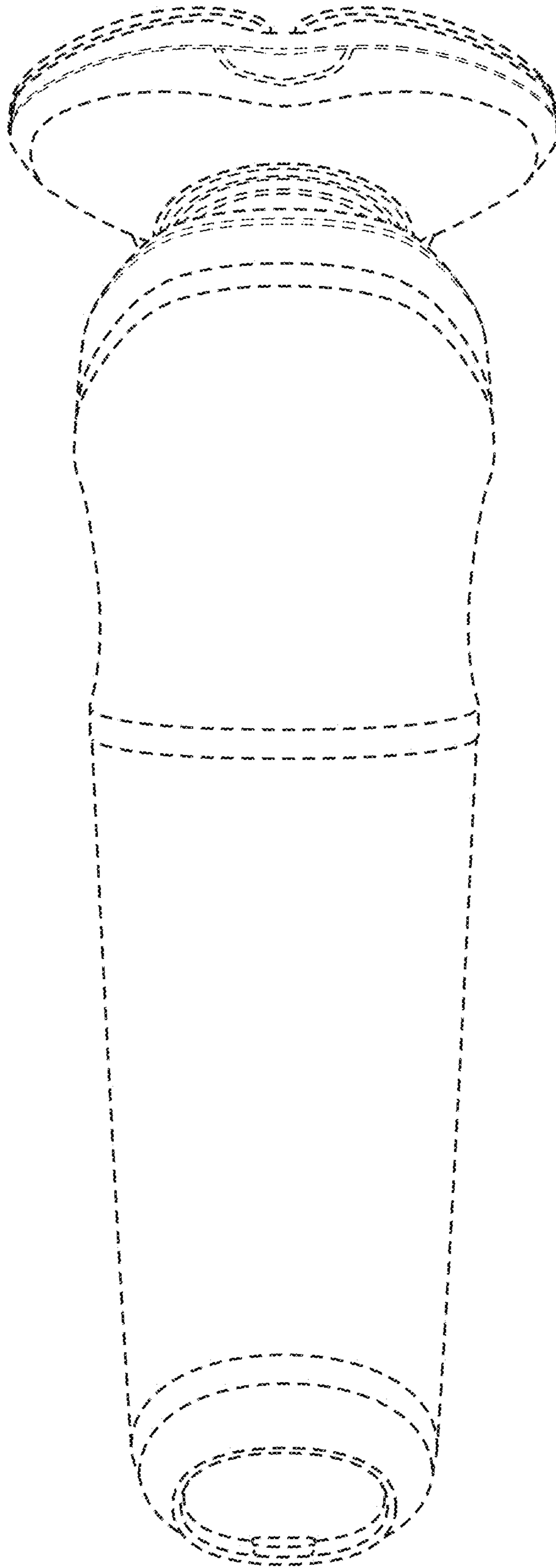


FIG. 3

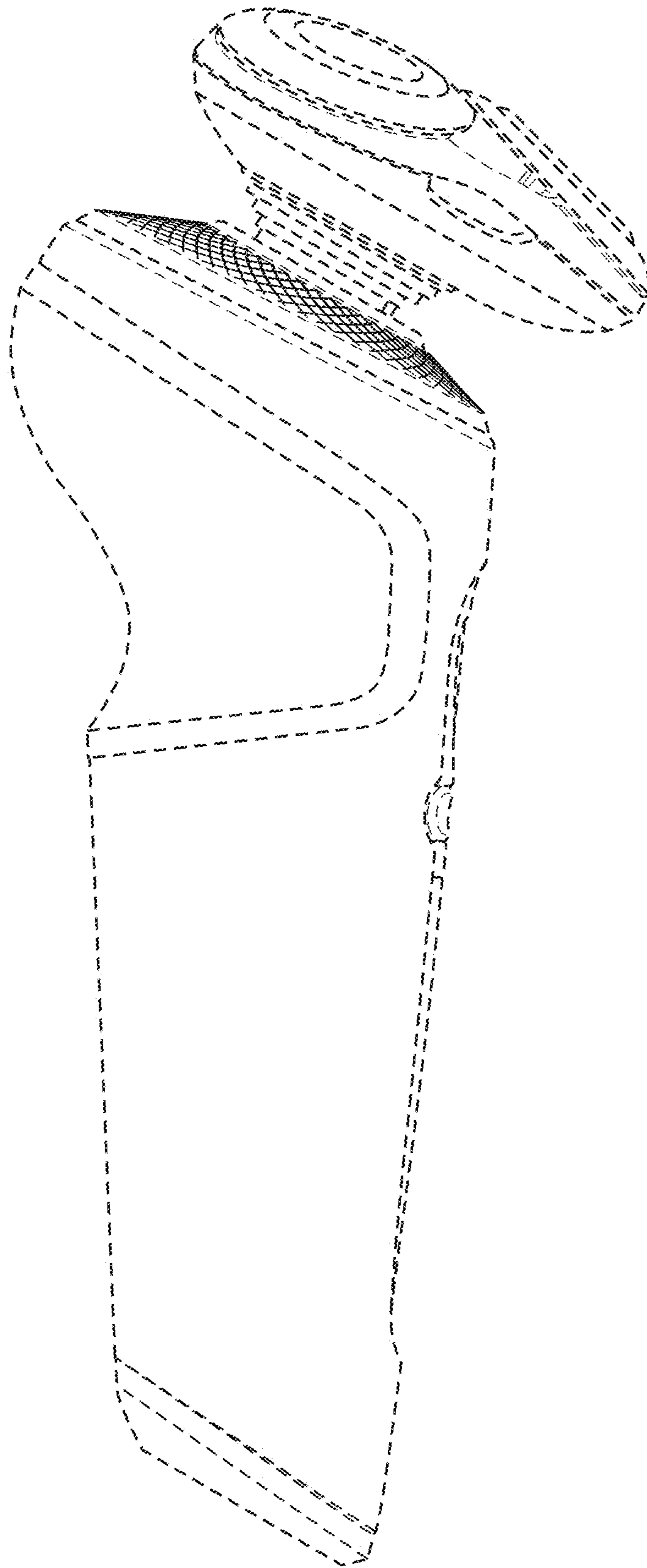


FIG. 4

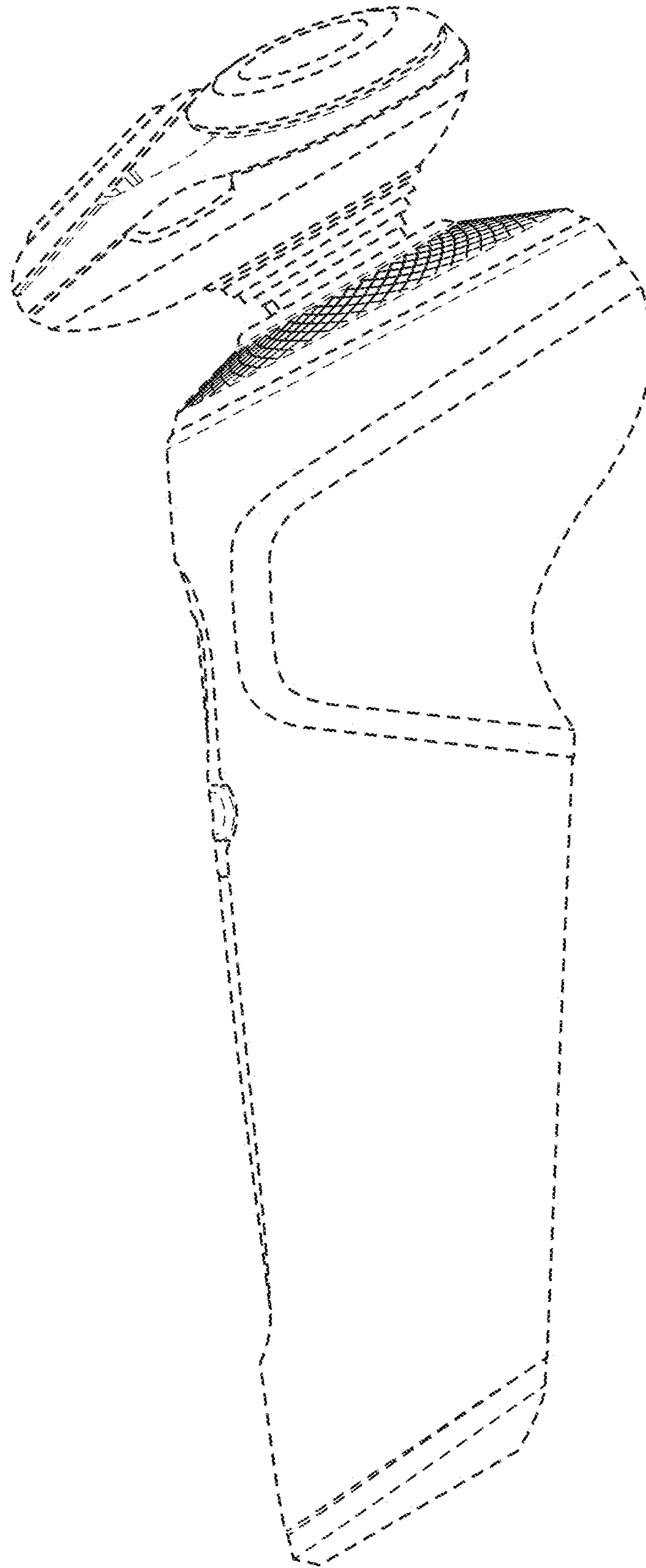


FIG. 5

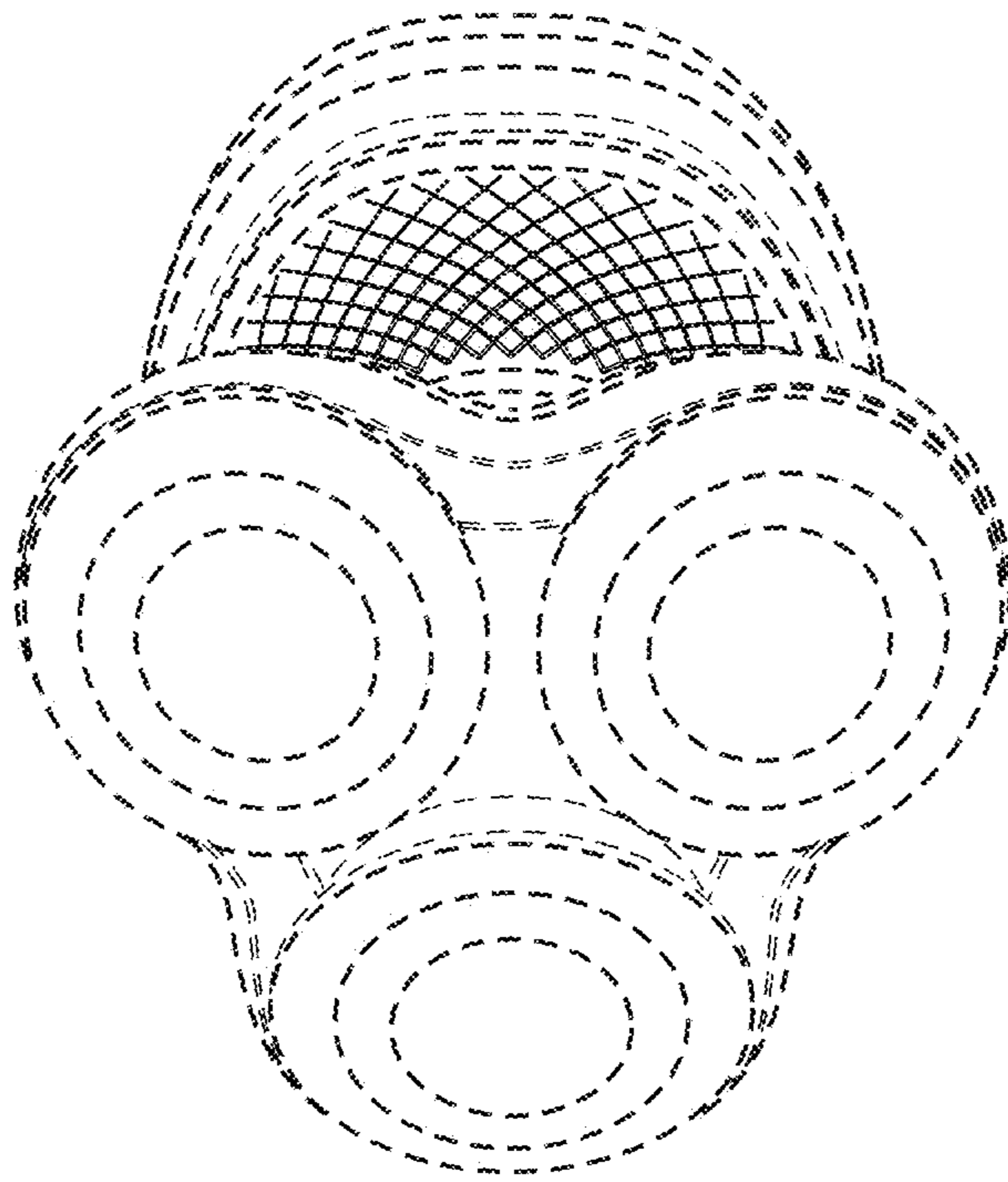


FIG. 6

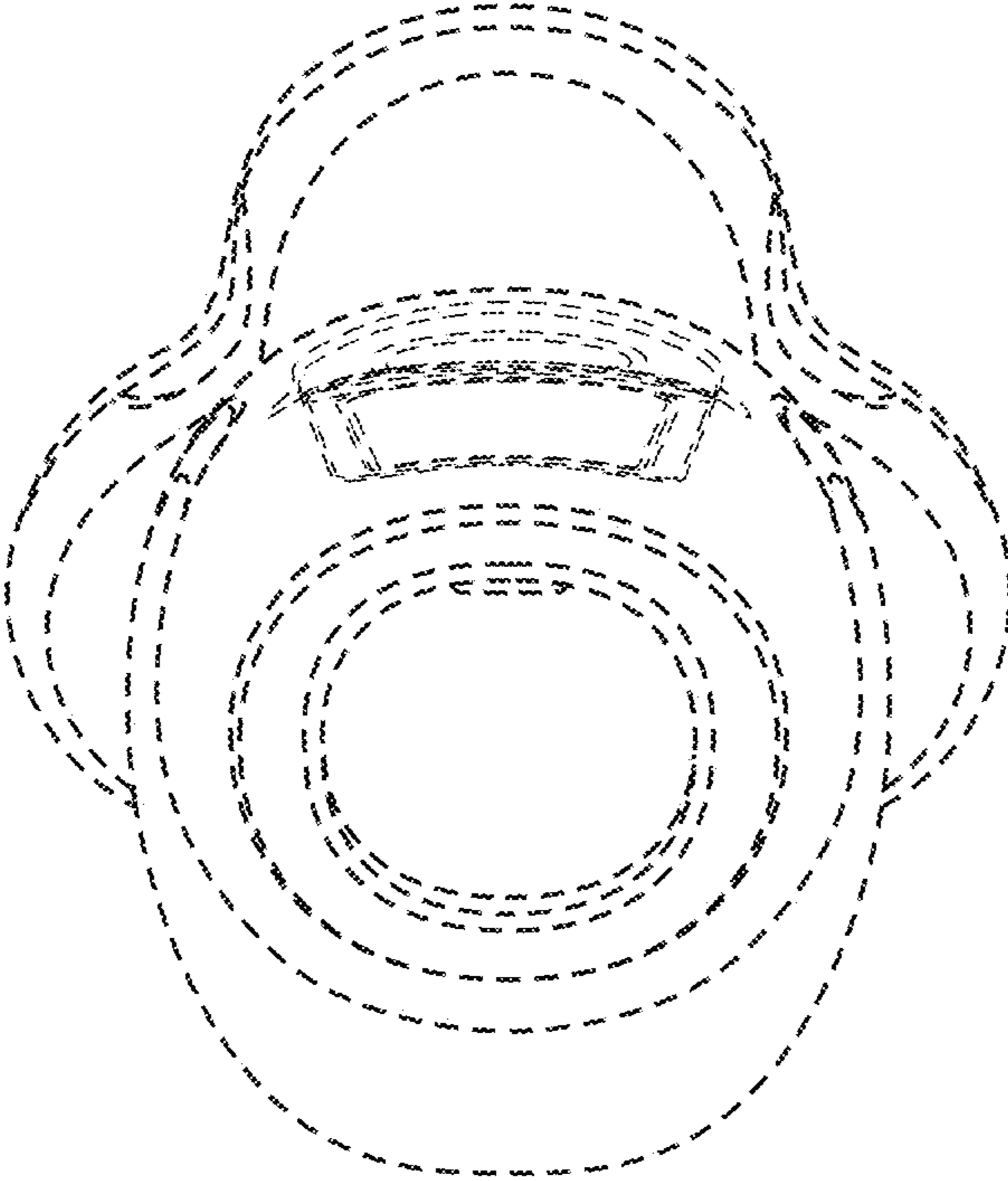


FIG. 7