



US00D958455S

(12) **United States Design Patent**
Collins

(10) **Patent No.:** **US D958,455 S**
(45) **Date of Patent:** **** Jul. 19, 2022**

- (54) **SIDEBURN SHAVING GUIDE**
- (71) Applicant: **Justin Michael Collins**, Sabattus, ME (US)
- (72) Inventor: **Justin Michael Collins**, Sabattus, ME (US)
- (**) Term: **15 Years**
- (21) Appl. No.: **29/709,947**
- (22) Filed: **Oct. 18, 2019**
- (51) **LOC (13) Cl.** **28-03**
- (52) **U.S. Cl.**
USPC **D28/44.2**
- (58) **Field of Classification Search**
USPC D28/44.2
CPC A45D 24/36; A45D 27/42
See application file for complete search history.

- 7,252,094 B2 * 8/2007 Maynard A45D 24/36
132/214
- 7,409,958 B1 * 8/2008 Vacker A45D 24/36
132/214
- 7,559,331 B2 * 7/2009 Ward A45D 24/36
132/214
- 8,082,927 B2 12/2011 Bonge
- D662,258 S * 6/2012 Chapman D28/44.2
- D785,247 S * 4/2017 DoSouto D28/44.2
- D785,868 S * 5/2017 Lal D28/44.2
- D785,869 S * 5/2017 Esnard D28/44.2
- D814,113 S * 3/2018 Yeheskel D28/44.2
- D833,073 S * 11/2018 Ma D28/44.2
- 2004/0074511 A1 * 4/2004 Sussan A45D 24/36
132/214
- 2009/0223530 A1 9/2009 Chapman
- 2013/0000657 A1 * 1/2013 Rote A45D 24/36
132/200

(Continued)

Primary Examiner — Jennifer Rivard
(74) *Attorney, Agent, or Firm* — Preti Flaherty Beliveau & Pachios LLP

(56) **References Cited**

U.S. PATENT DOCUMENTS

- 1,538,614 A * 5/1925 Bridges A45D 24/36
132/214
- 1,812,443 A 6/1931 Mason
- 2,786,477 A 3/1957 Cohen
- 2,879,778 A 3/1959 Peck
- 2,991,553 A * 7/1961 Levine A45D 24/36
30/30
- 3,407,823 A * 10/1968 Selvaggio A45D 24/36
132/214
- 4,010,764 A 3/1977 Wagner
- 4,106,515 A 8/1978 Miller
- 4,830,031 A * 5/1989 Quinones A45D 24/36
132/148
- 5,329,946 A 7/1994 Guma
- 5,427,122 A * 6/1995 Hamilton A45D 24/36
132/214
- D381,462 S * 7/1997 Bailey D28/44
- 6,125,857 A 10/2000 Silber

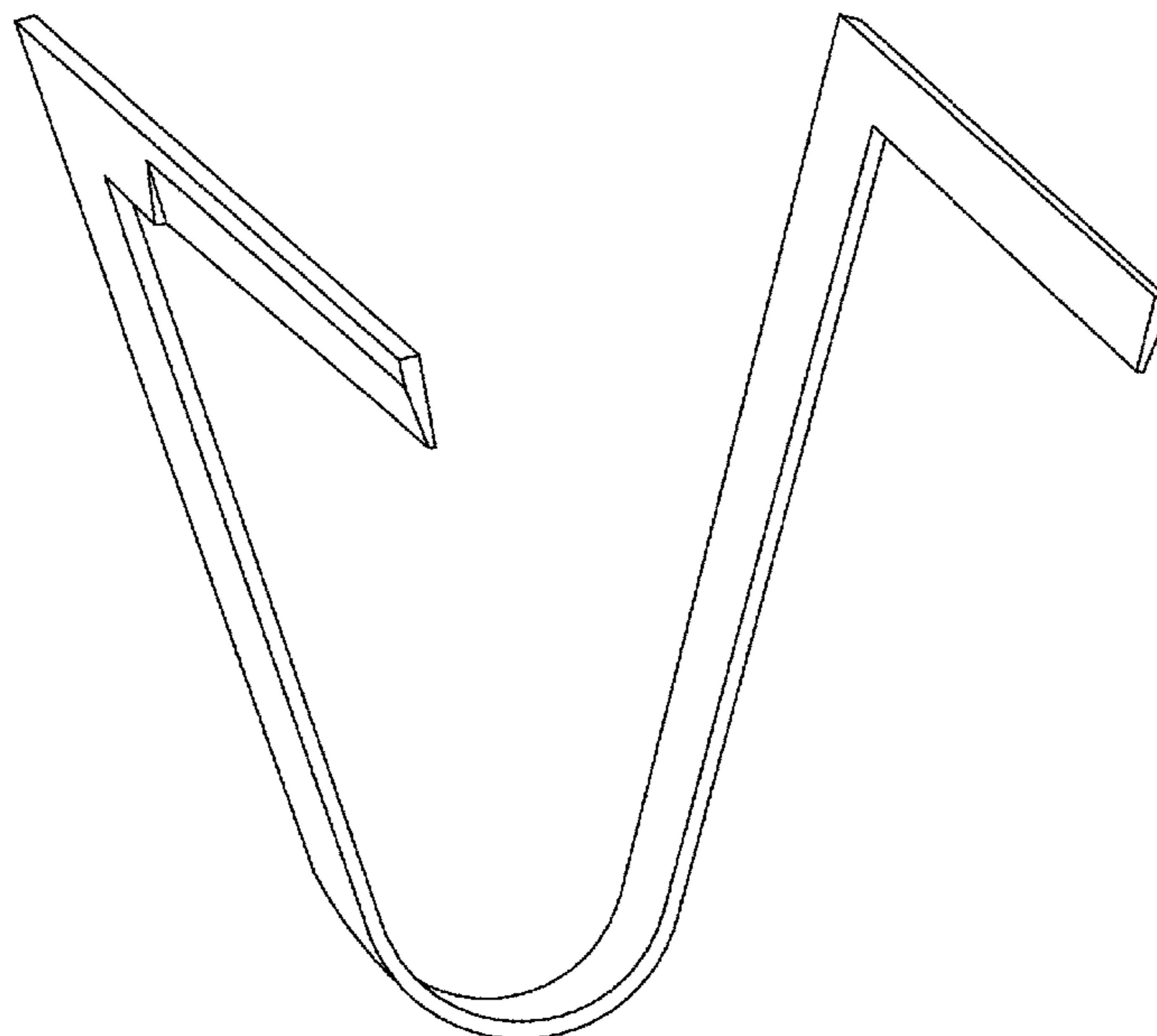
(57) **CLAIM**

I claim the ornamental design for a sideburn shaving guide, as shown.

DESCRIPTION

FIG. 1 is a front view of a sideburn shaving guide;
FIG. 2 is a top view thereof;
FIG. 3 is a right side view thereof;
FIG. 4 is a partial end view of the right side thereof;
FIG. 5 is a front perspective view thereof;
FIG. 6 is a rear view thereof;
FIG. 7 is a bottom view thereof;
FIG. 8 is a left side view thereof;
FIG. 9 is a partial end view of the left side thereof;
FIG. 10 is another perspective view thereof; and,
FIG. 11 is a back perspective view thereof.

1 Claim, 3 Drawing Sheets



(56)

References Cited

U.S. PATENT DOCUMENTS

2017/0035178 A1 2/2017 Alvarez
2020/0352305 A1* 11/2020 Robinson A45D 24/36

* cited by examiner

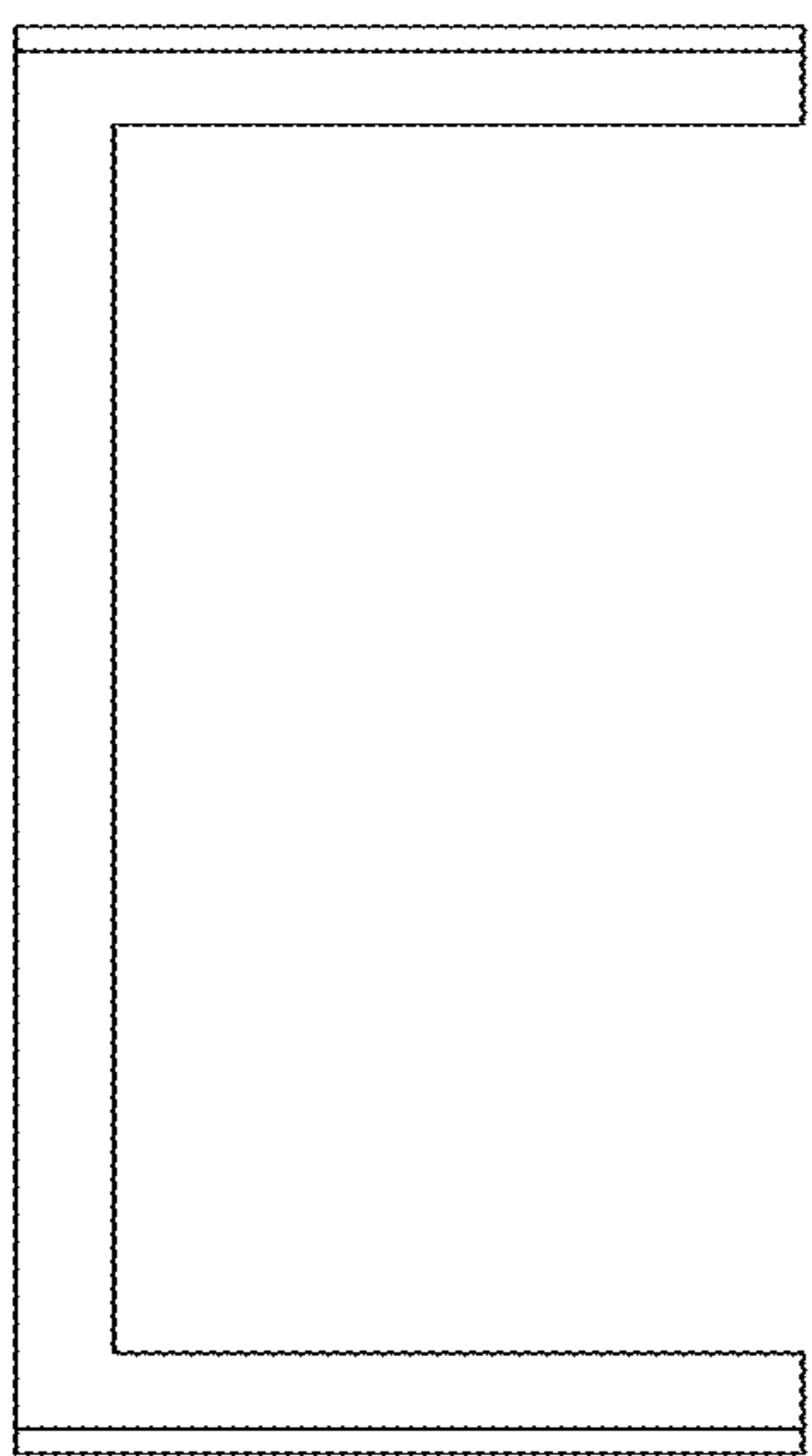


FIG. 2

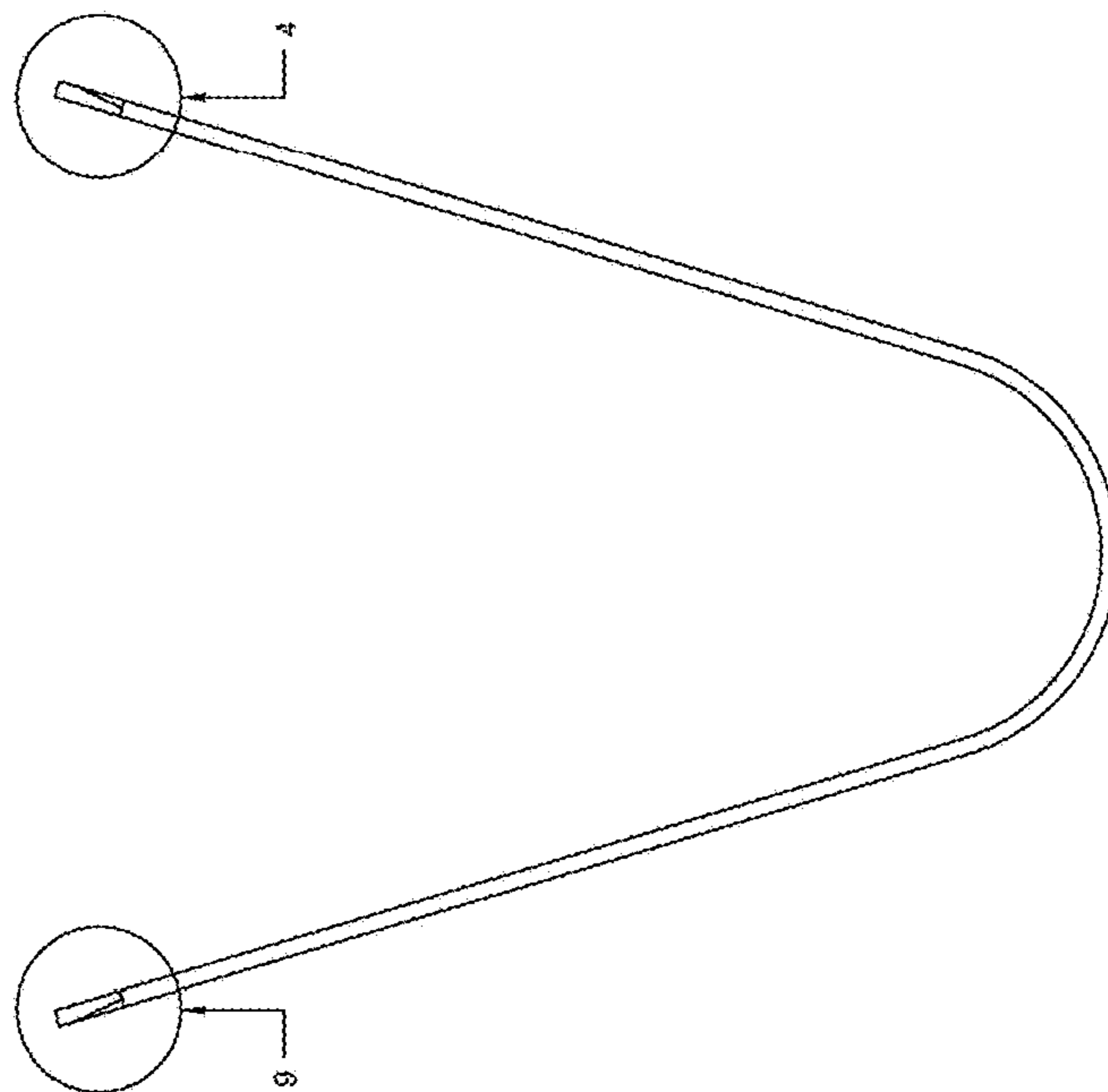


FIG. 1

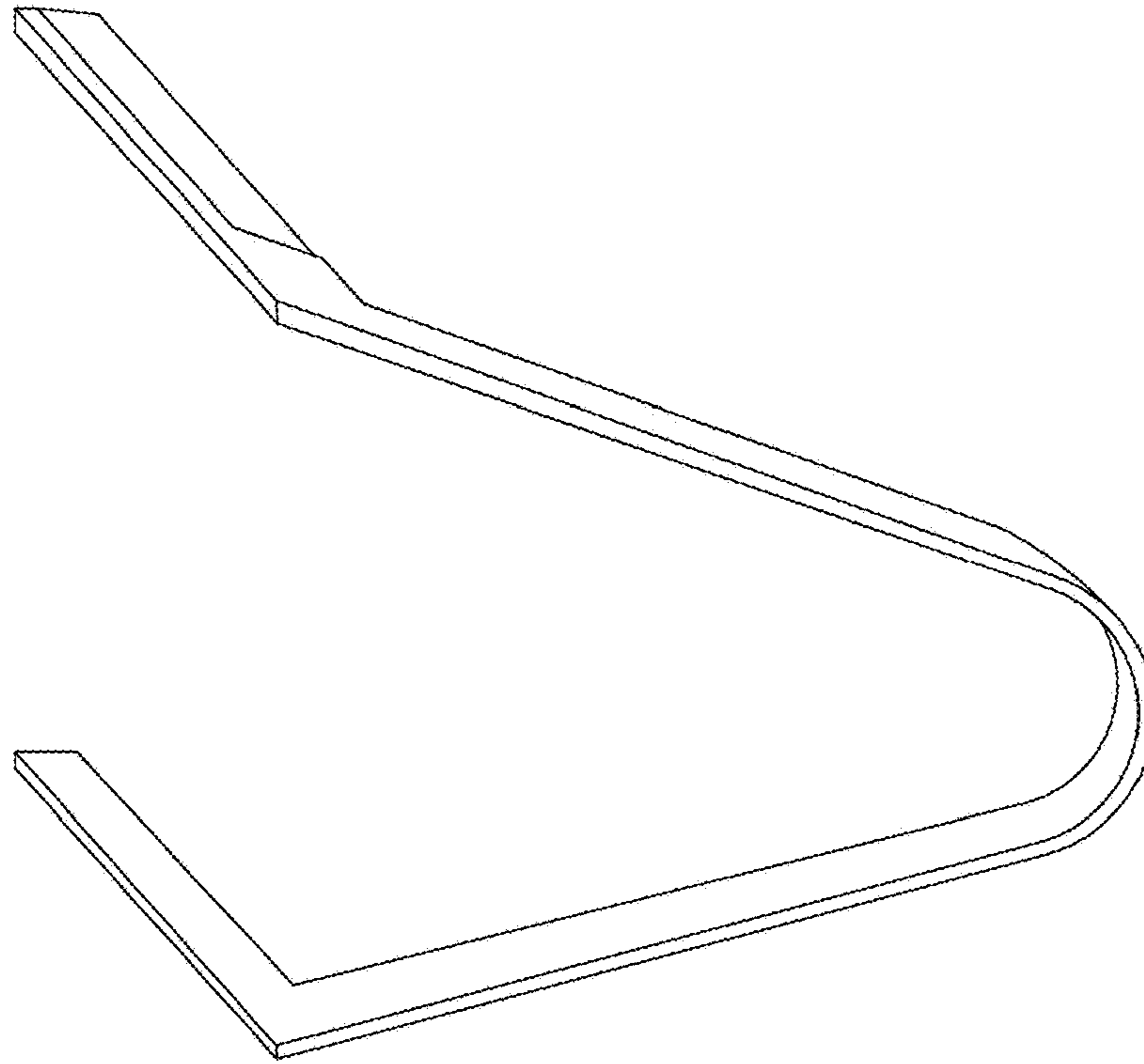


FIG. 5



FIG. 4

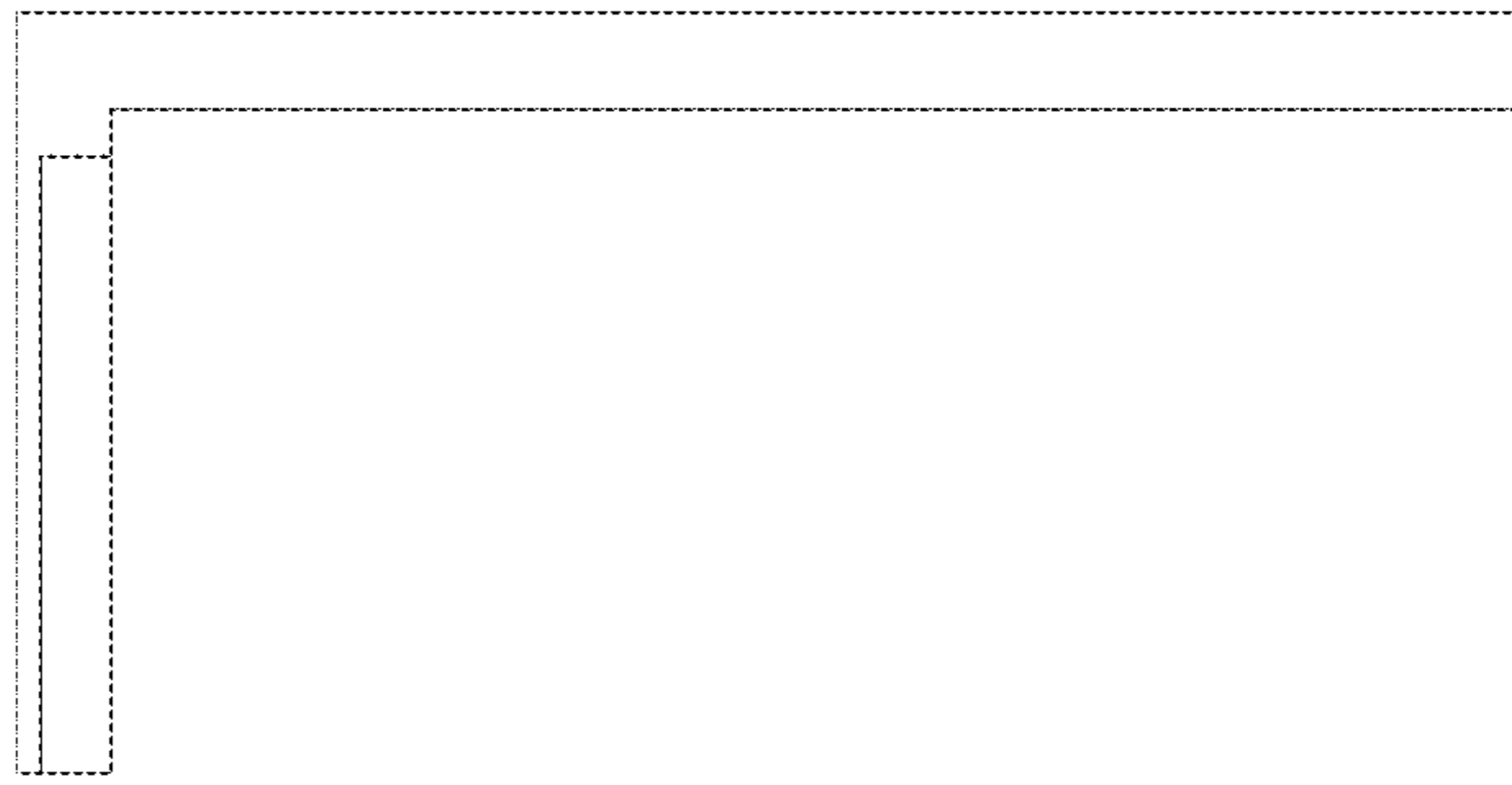


FIG. 3

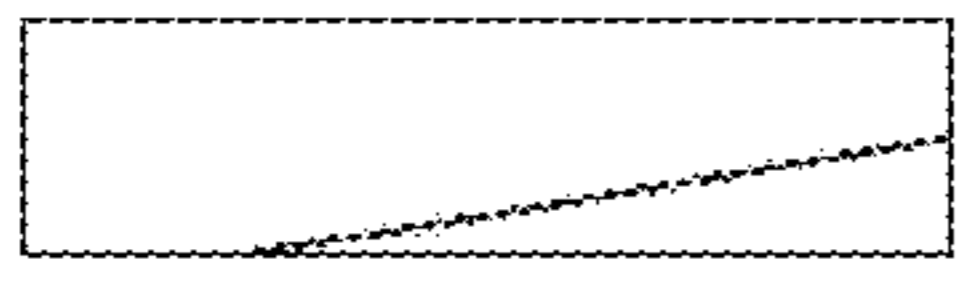


FIG. 9

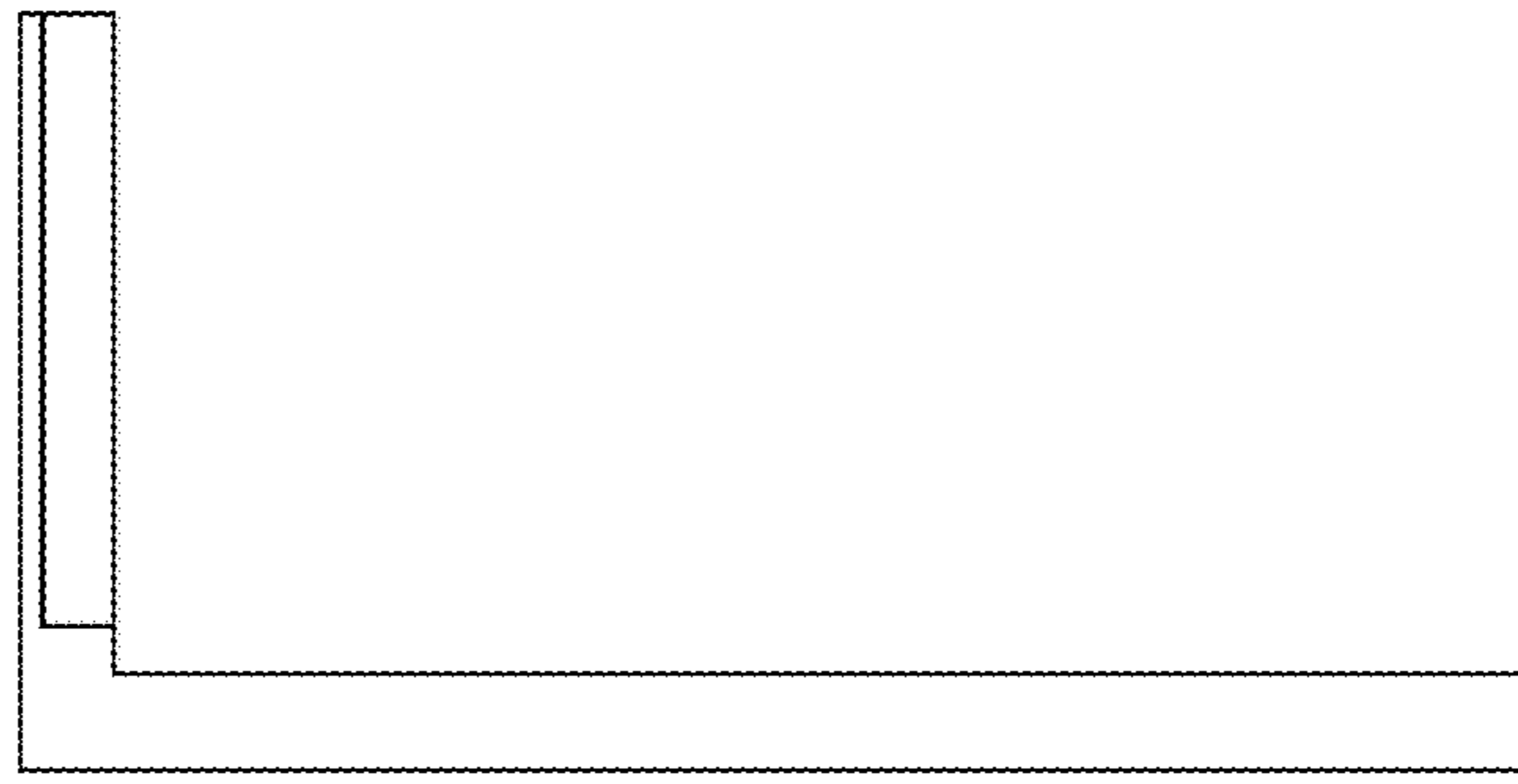


FIG. 8

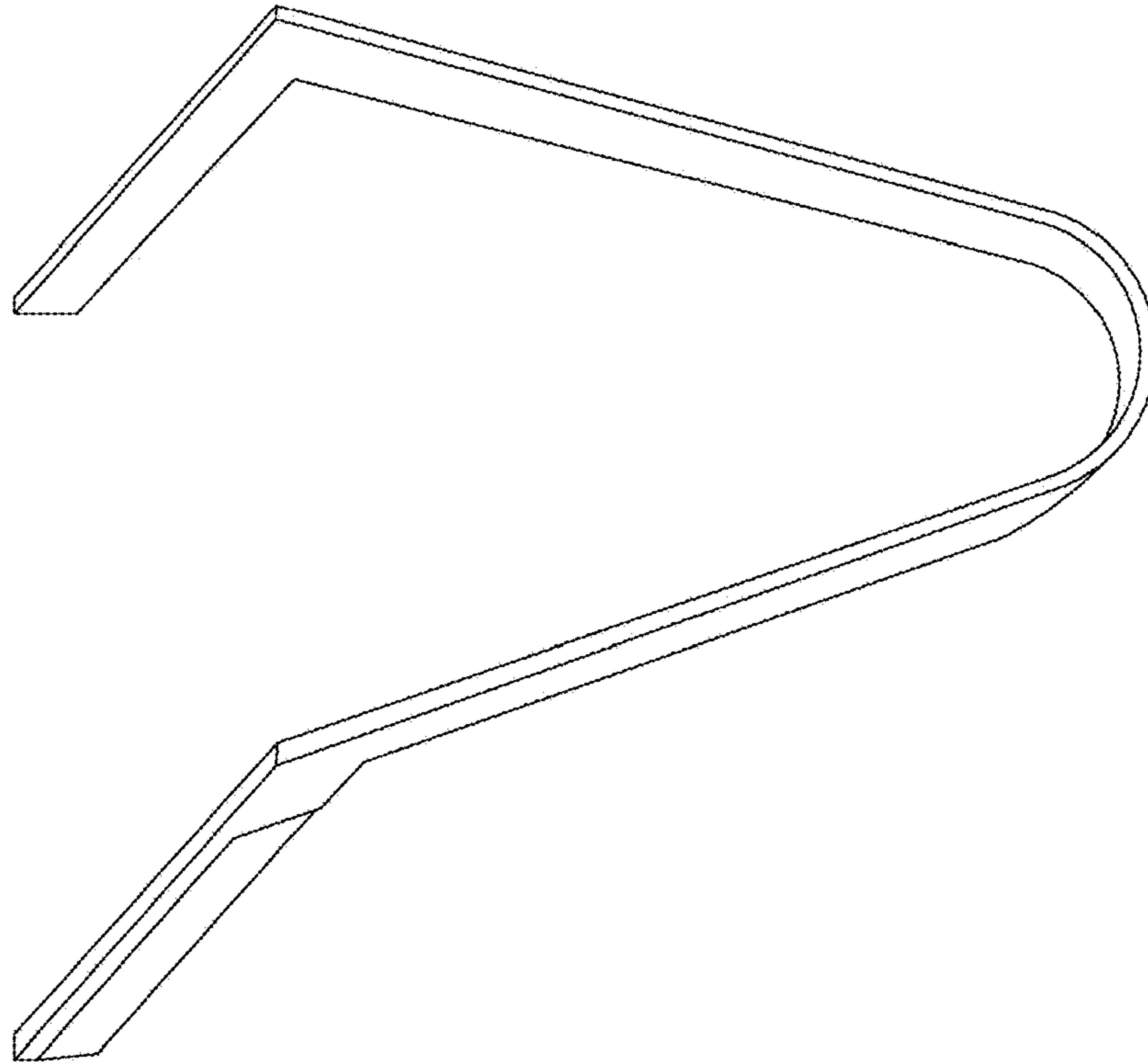


FIG. 10

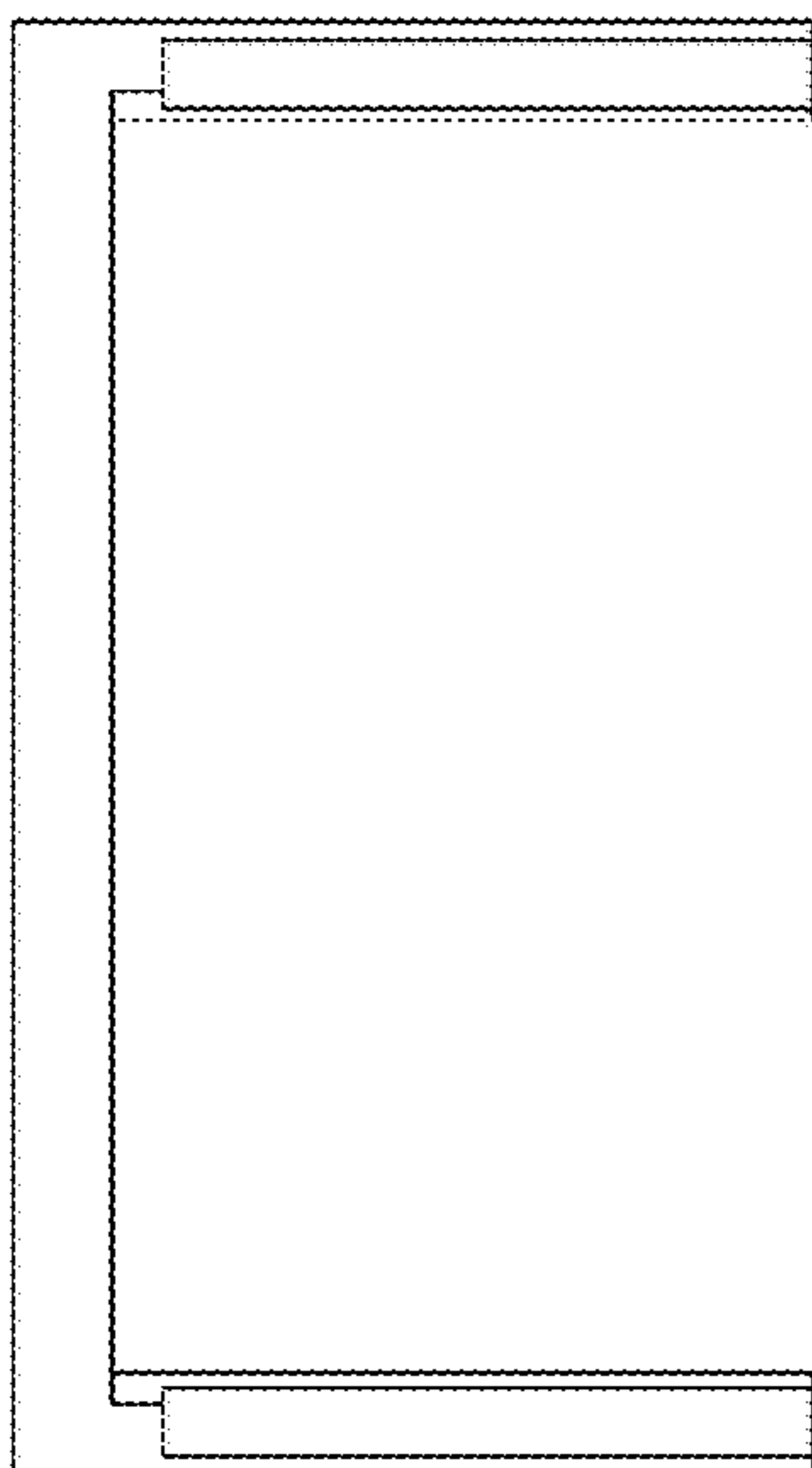


FIG. 7

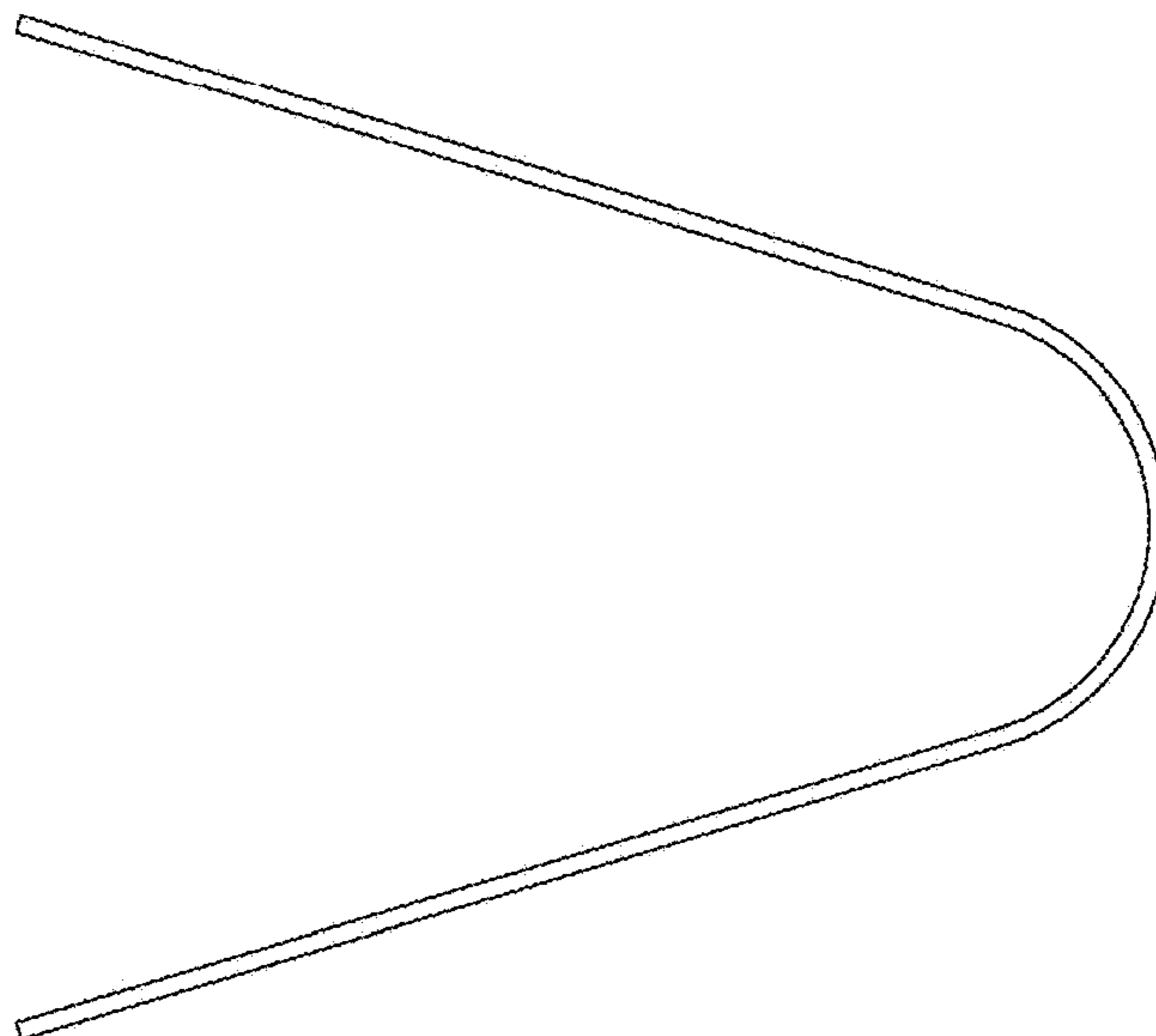


FIG. 6

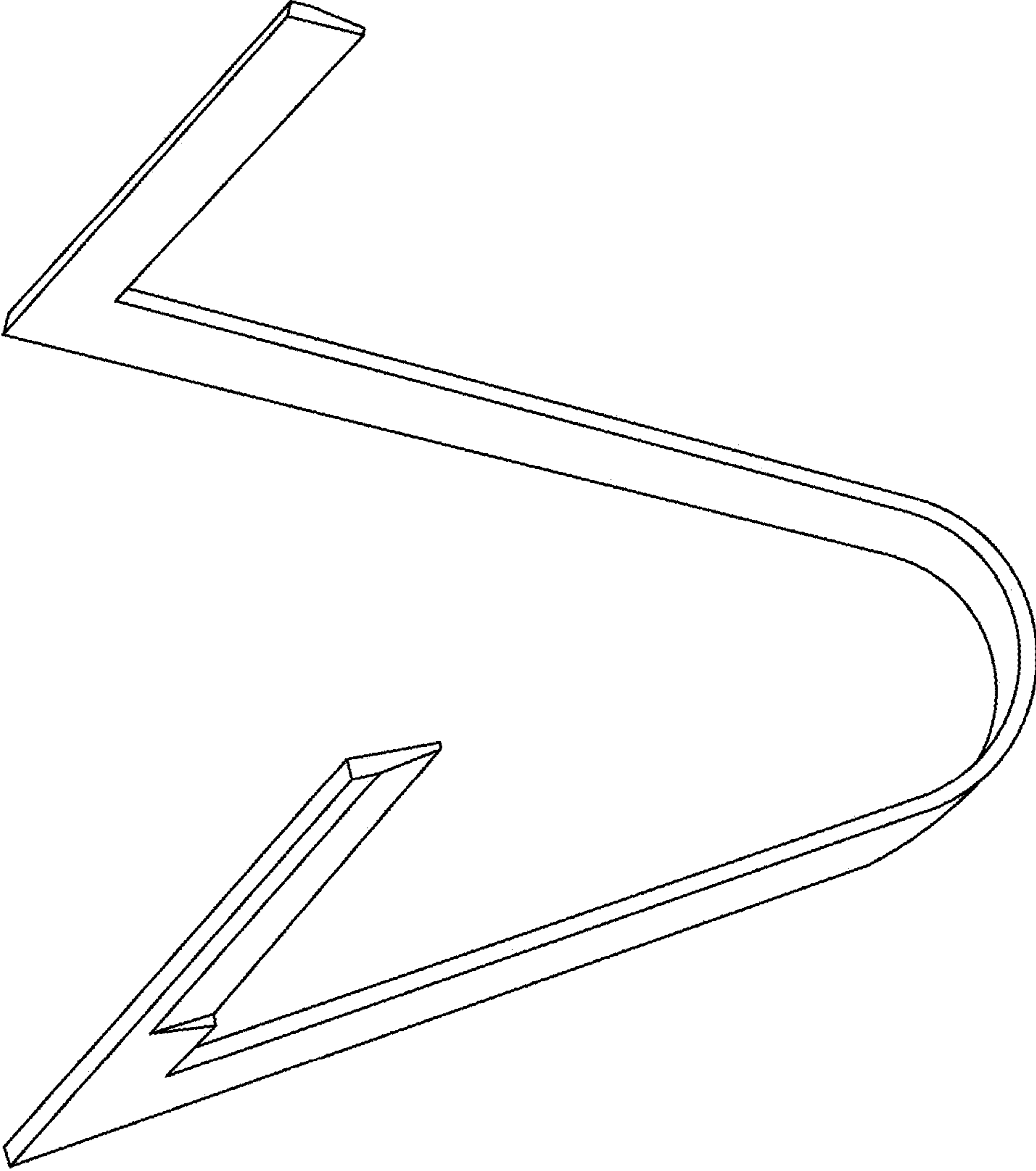


FIG. 11