



US00D958453S

(12) **United States Design Patent**
Fu

(10) **Patent No.:** **US D958,453 S**
(45) **Date of Patent:** **** Jul. 19, 2022**

(54) **EYEBROW STENCIL**

(71) Applicant: **Li Fu**, Shenzhen (CN)

(72) Inventor: **Li Fu**, Shenzhen (CN)

(**) Term: **15 Years**

(21) Appl. No.: **29/721,388**

(22) Filed: **Jan. 21, 2020**

(51) **LOC (13) Cl.** **28-03**

(52) **U.S. Cl.**
USPC **D28/7**

(58) **Field of Classification Search**
USPC D28/4, 7, 9, 99
CPC A45D 40/26; A45D 40/30
See application file for complete search history.

(56) **References Cited**

U.S. PATENT DOCUMENTS

2,628,626	A *	2/1953	Teillaud	A45D 40/30
					132/319
2,998,821	A *	9/1961	Hurdel	A45D 40/30
					132/218
3,718,145	A *	2/1973	Chateau	A45D 40/30
					132/216
D291,607	S *	8/1987	Flores	D28/7
5,186,190	A *	2/1993	Hirzel	A45D 40/30
					132/319

5,662,129	A *	9/1997	Grenevitch	A45D 40/30
					132/319
7,219,674	B1 *	5/2007	Shelley	A45D 40/30
					132/319
D601,749	S *	10/2009	Ross	D28/7
D841,880	S *	2/2019	Jing	D28/7
D901,073	S *	11/2020	Wu	D28/7
2009/0044820	A1 *	2/2009	Soare	A45D 40/30
					132/319
2017/0095061	A1 *	4/2017	Milazzo	A45D 40/30

* cited by examiner

Primary Examiner — Zenia I Bennett

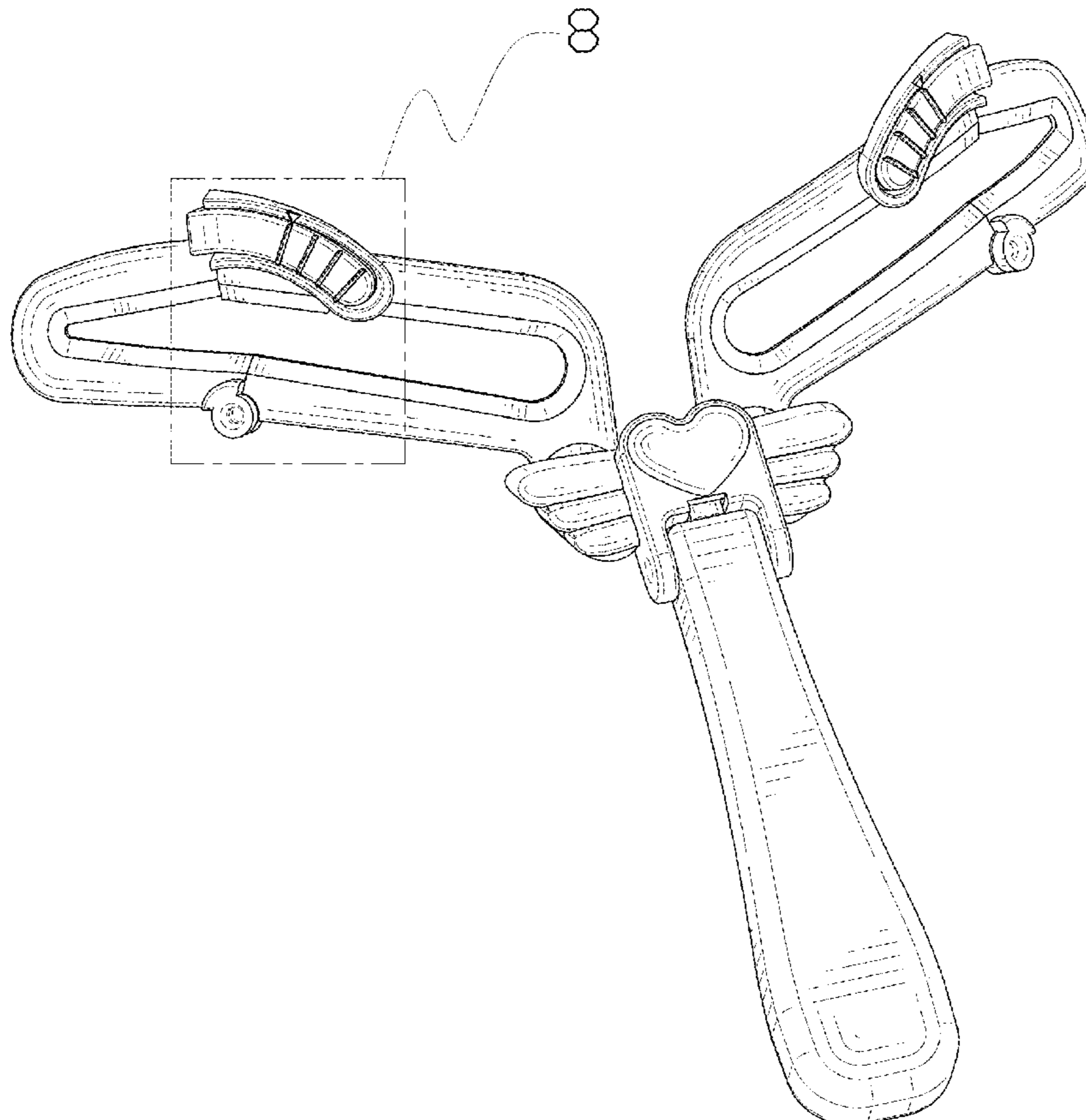
(57) **CLAIM**

The ornamental design for an eyebrow stencil, as shown and described.

DESCRIPTION

FIG. 1 is a perspective view of an eyebrow stencil showing my new design;
FIG. 2 is a front elevational view thereof;
FIG. 3 is a rear elevational view thereof;
FIG. 4 is a left side elevational view thereof;
FIG. 5 is a right side elevational view thereof;
FIG. 6 is a top plan view thereof;
FIG. 7 is a bottom plan view thereof; and,
FIG. 8 is an enlarged view of portion 8 shown in FIG. 1.
The broken lines in the drawings depict portions of the eyebrow stencil that form no part of the claimed design.

1 Claim, 8 Drawing Sheets



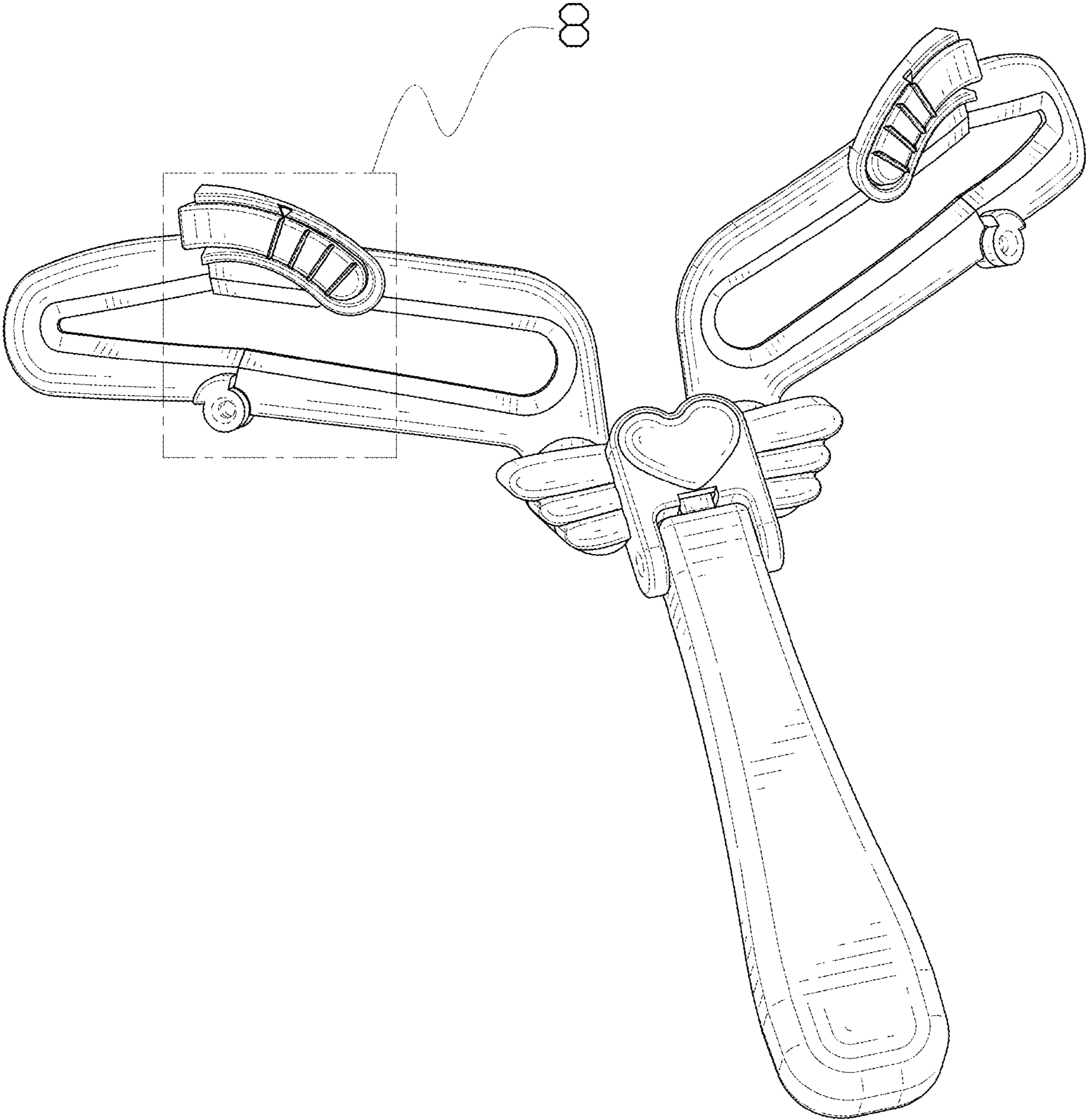


FIG. 1

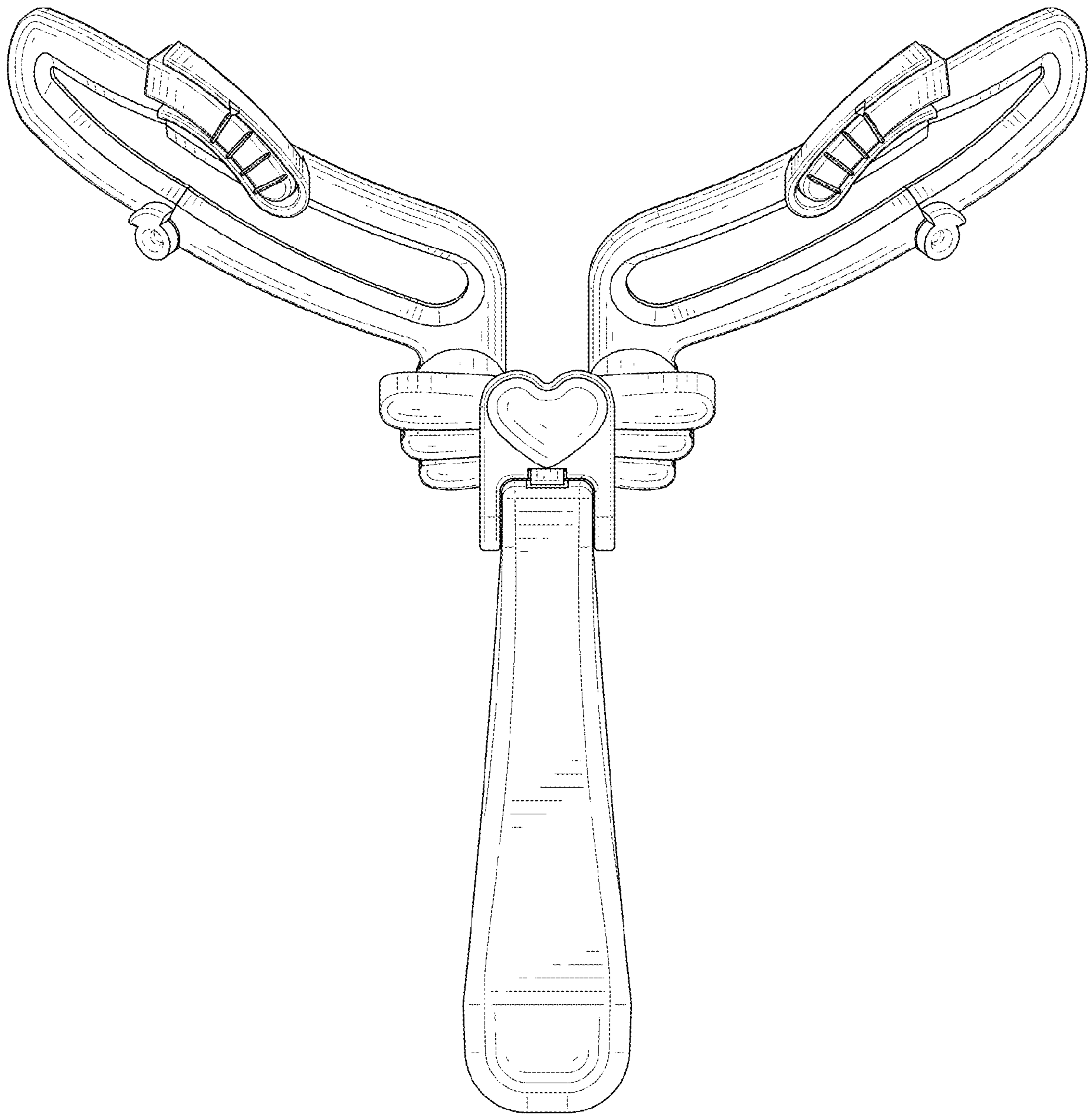


FIG. 2

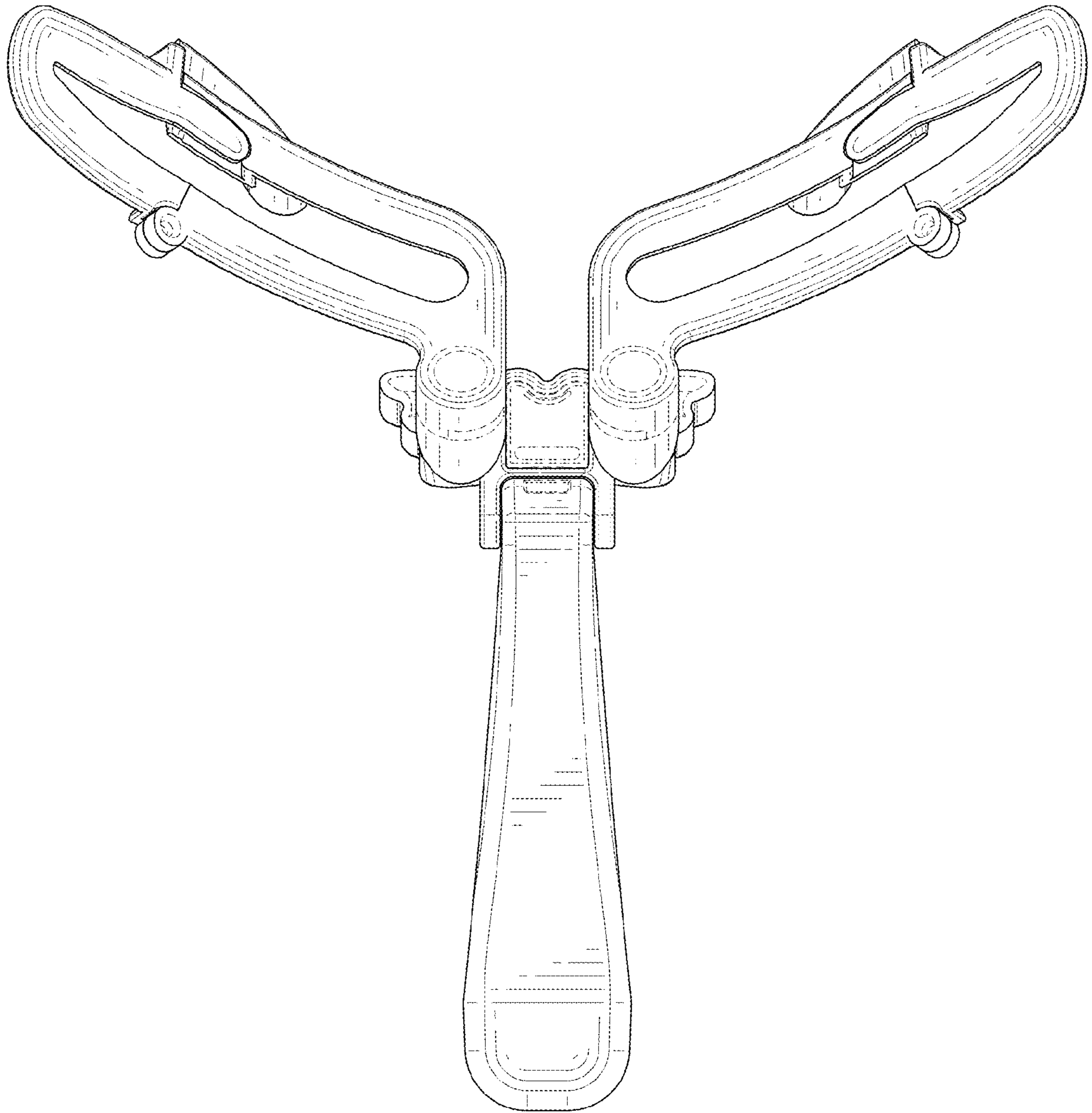


FIG. 3

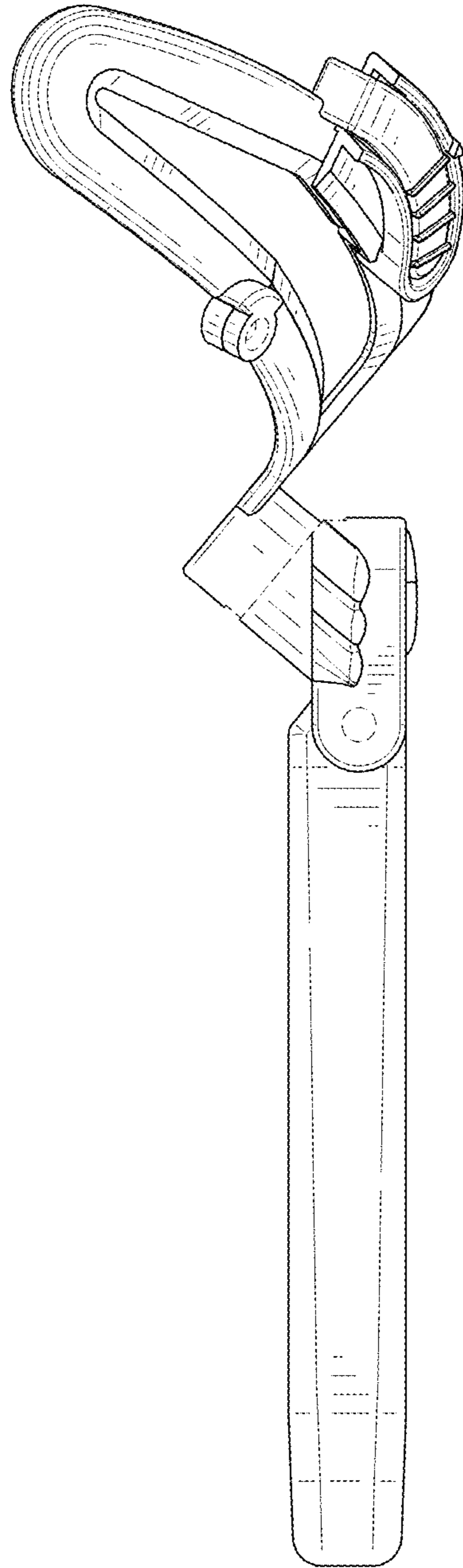


FIG. 4

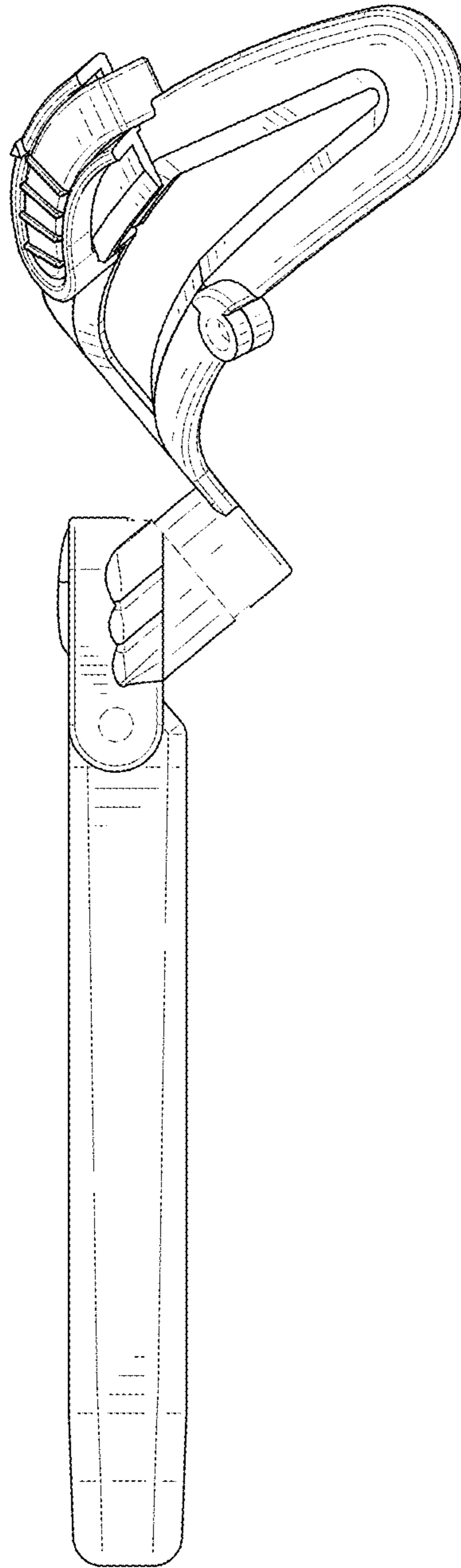


FIG. 5

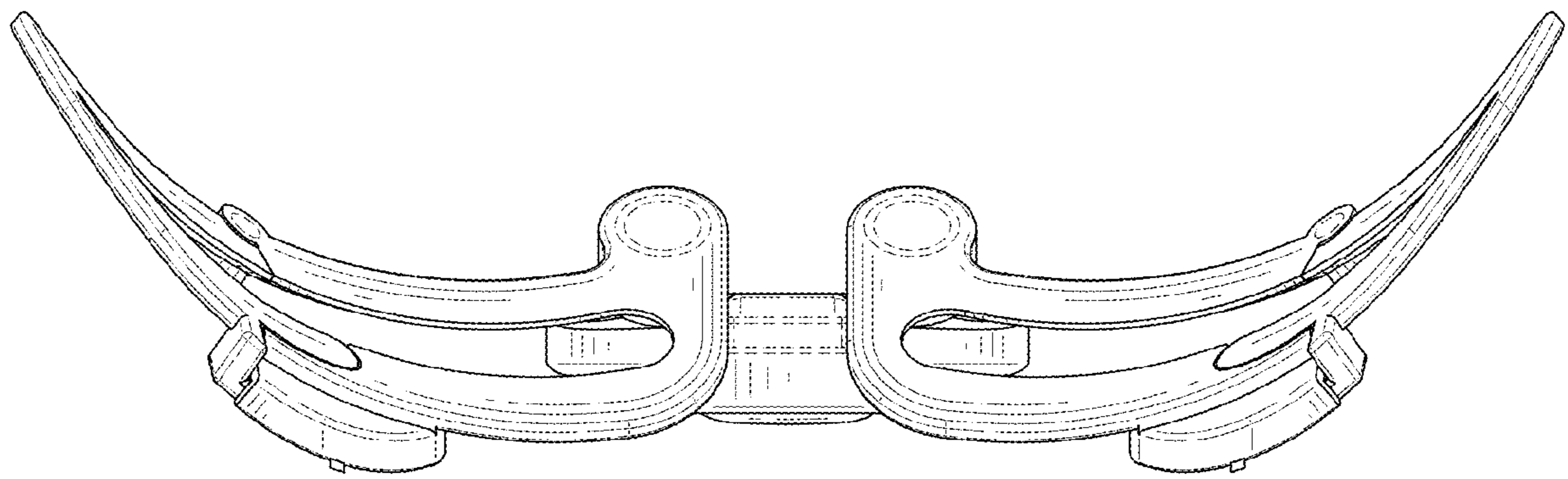


FIG. 6

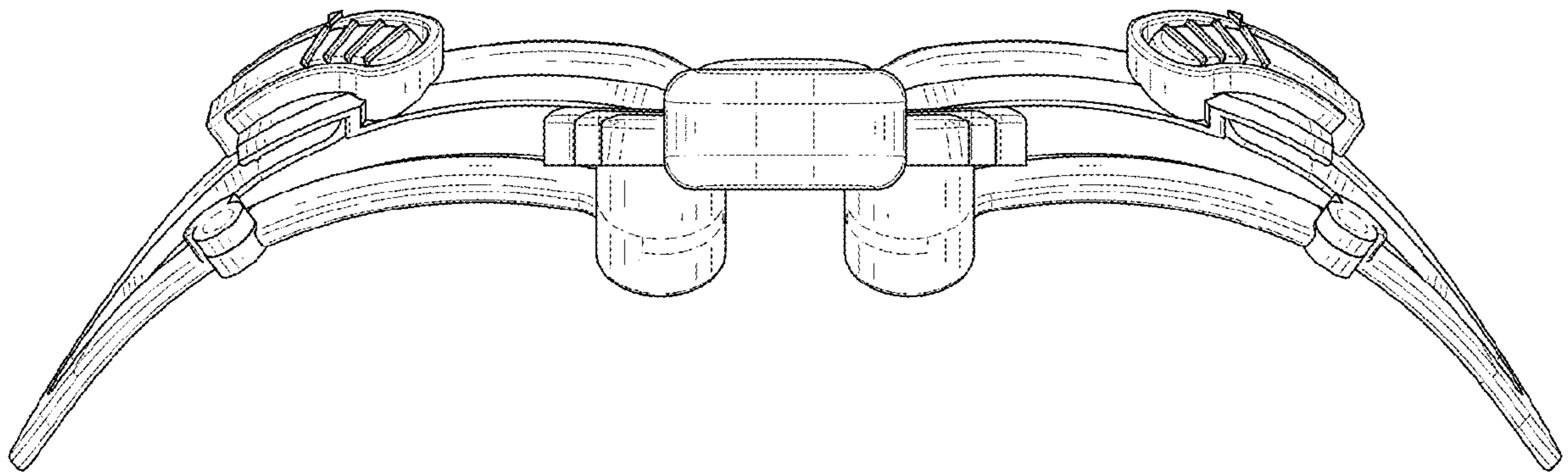


FIG. 7

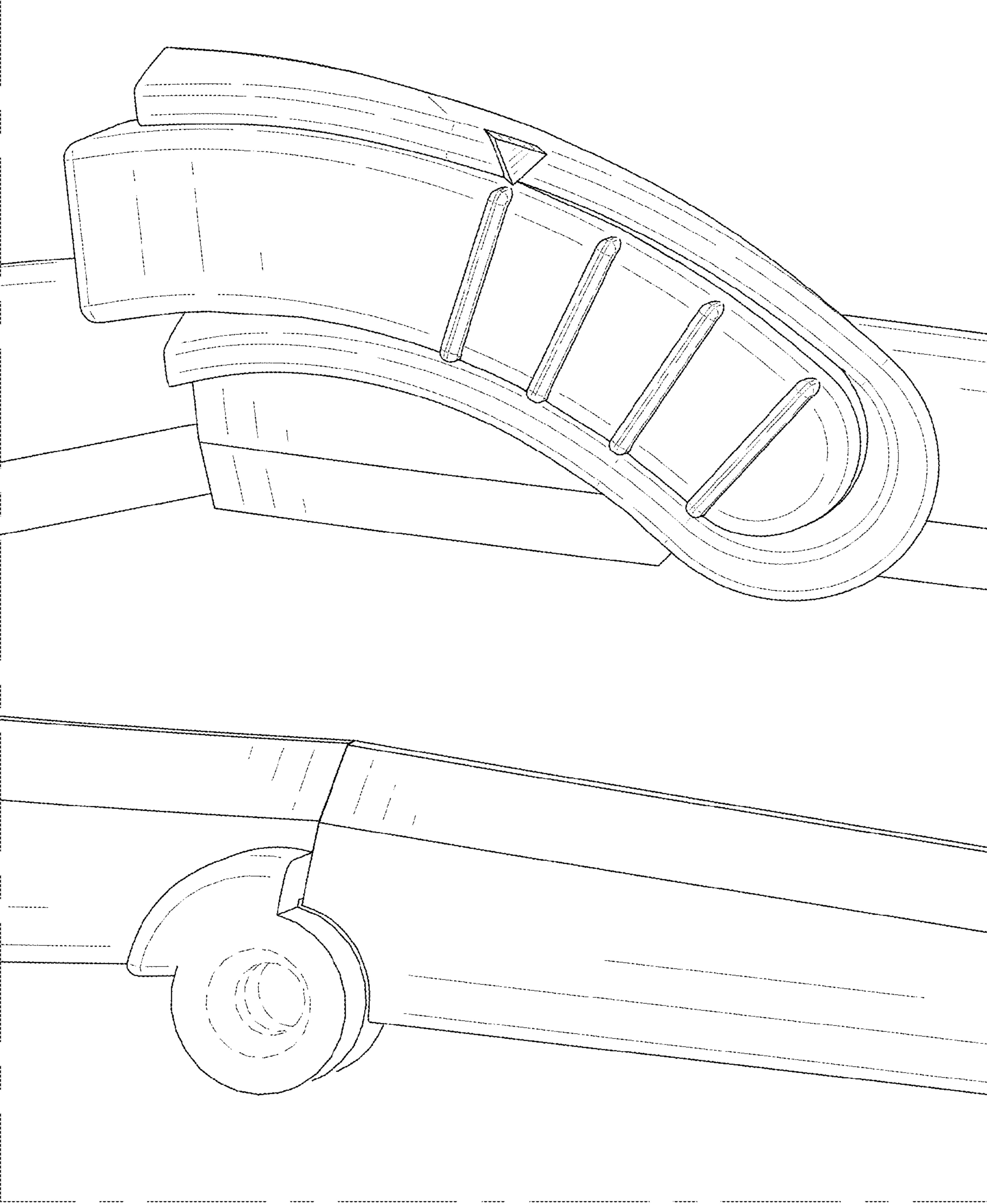


FIG. 8