



US00D958449S

(12) **United States Design Patent** (10) **Patent No.:** **US D958,449 S**
Yuan (45) **Date of Patent:** **** Jul. 19, 2022**

(54) **ELECTRONIC CIGARETTE**
(71) Applicant: **SHENZHEN YGREEN TECHNOLOGY CO., LTD,**
Guangdong (CN)
(72) Inventor: **Goulin Yuan,** Guangdong (CN)
(**) Term: **15 Years**
(21) Appl. No.: **29/753,009**
(22) Filed: **Sep. 29, 2020**
(51) **LOC (13) Cl.** **27-02**
(52) **U.S. Cl.**
USPC **D27/162**
(58) **Field of Classification Search**
USPC D27/162, 100, 101, 163–165, 172, 167,
D27/183, 185–194; D24/110, 110.5
CPC A24F 9/00; A24F 47/002; A24F 47/004;
A24F 47/006; A24F 47/008; A61M 15/06
See application file for complete search history.

D906,587 S * 12/2020 Fornarelli D27/162
D916,360 S * 4/2021 Liu D27/162
D920,570 S * 5/2021 Laidlaw D27/162
D920,571 S * 5/2021 Jones D27/162
D921,974 S * 6/2021 Li D27/162
D929,647 S * 8/2021 Liu D27/162
2017/0105451 A1* 4/2017 Fornarelli A24F 40/70

OTHER PUBLICATIONS

Atomizer/Cartridge By: Atmos found on line Sep. 9, 2021 <https://www.atmosrx.com/sub-vers-tf-cartridge?position=2> Feb. 10, 2017.*

* cited by examiner

Primary Examiner — Rebecca Tsehaye
(74) *Attorney, Agent, or Firm* — Tommy S F Wang;
Wang IP Law Group, P.C.

(57) **CLAIM**

The ornamental design for an electronic cigarette, as shown and described.

DESCRIPTION

FIG. 1 is a front perspective view of an electronic cigarette showing my new design;
FIG. 2 is a bottom perspective view thereof;
FIG. 3 is a front view thereof;
FIG. 4 is a rear view thereof;
FIG. 5 is a left side view thereof;
FIG. 6 is a right side view thereof;
FIG. 7 is a top view thereof;
FIG. 8 is a bottom view thereof; and,
FIG. 9 is a cross-sectional view thereof taken along the line 9-9 of FIG. 3.

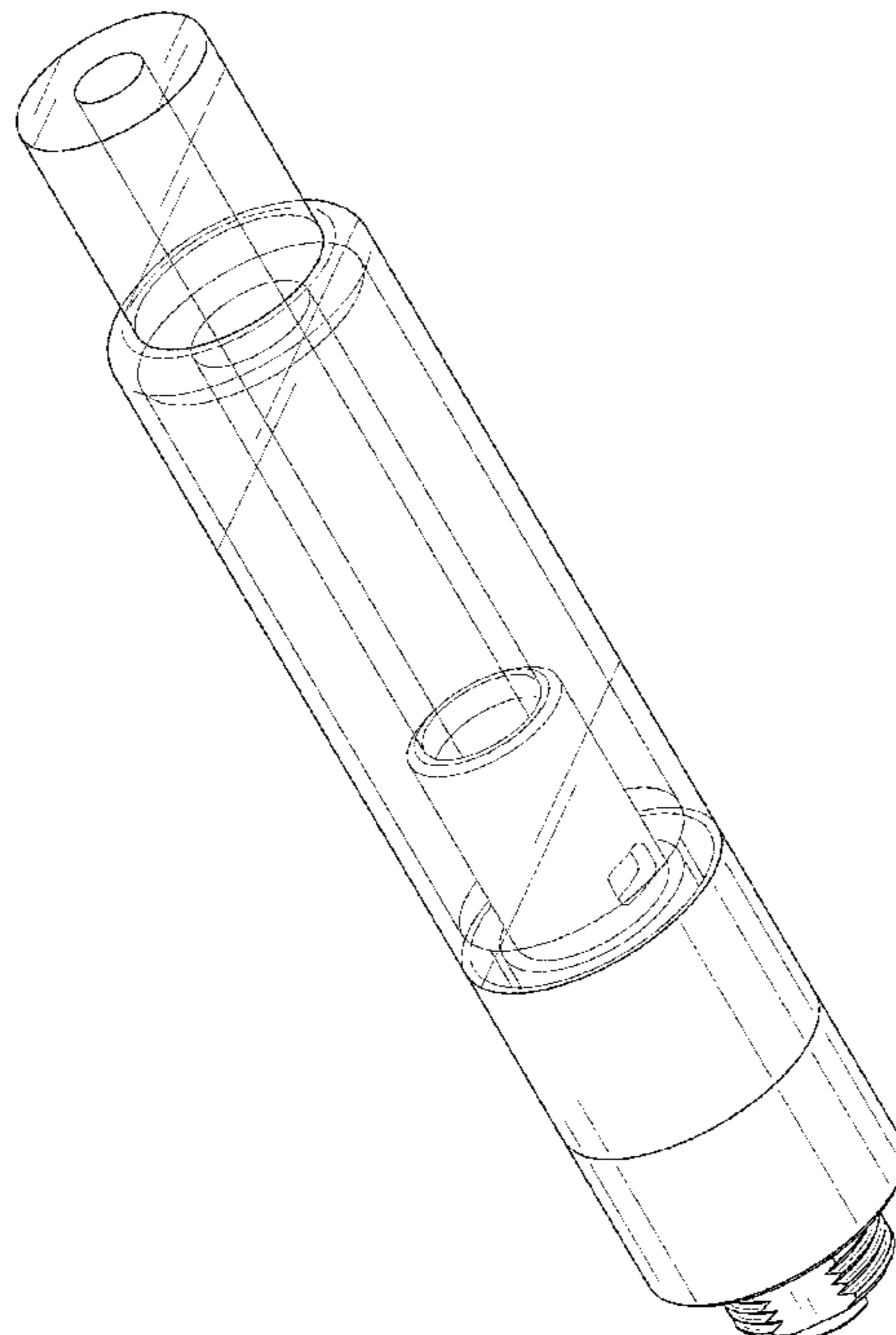
The broken lines in the drawings depict portions of the electronic cigarette that form no part of the claimed design.

1 Claim, 6 Drawing Sheets

(56) **References Cited**

U.S. PATENT DOCUMENTS

D523,350 S * 6/2006 Ohmoto D9/690
D749,261 S * 2/2016 Chen D27/162
D806,942 S * 1/2018 Qiu D27/101
D817,544 S * 5/2018 Chen D27/167
D823,534 S * 7/2018 Chen D27/162
D826,470 S * 8/2018 Huang D27/167
D828,623 S * 9/2018 Fornarelli D27/194
D862,795 S * 10/2019 Caldas D27/194
D867,657 S * 11/2019 Fornarelli D27/194
D877,975 S * 3/2020 Crowe D27/162
D882,165 S * 4/2020 Ouyang D27/162
D892,398 S * 8/2020 Yuan D27/162
D898,993 S * 10/2020 Li D27/167



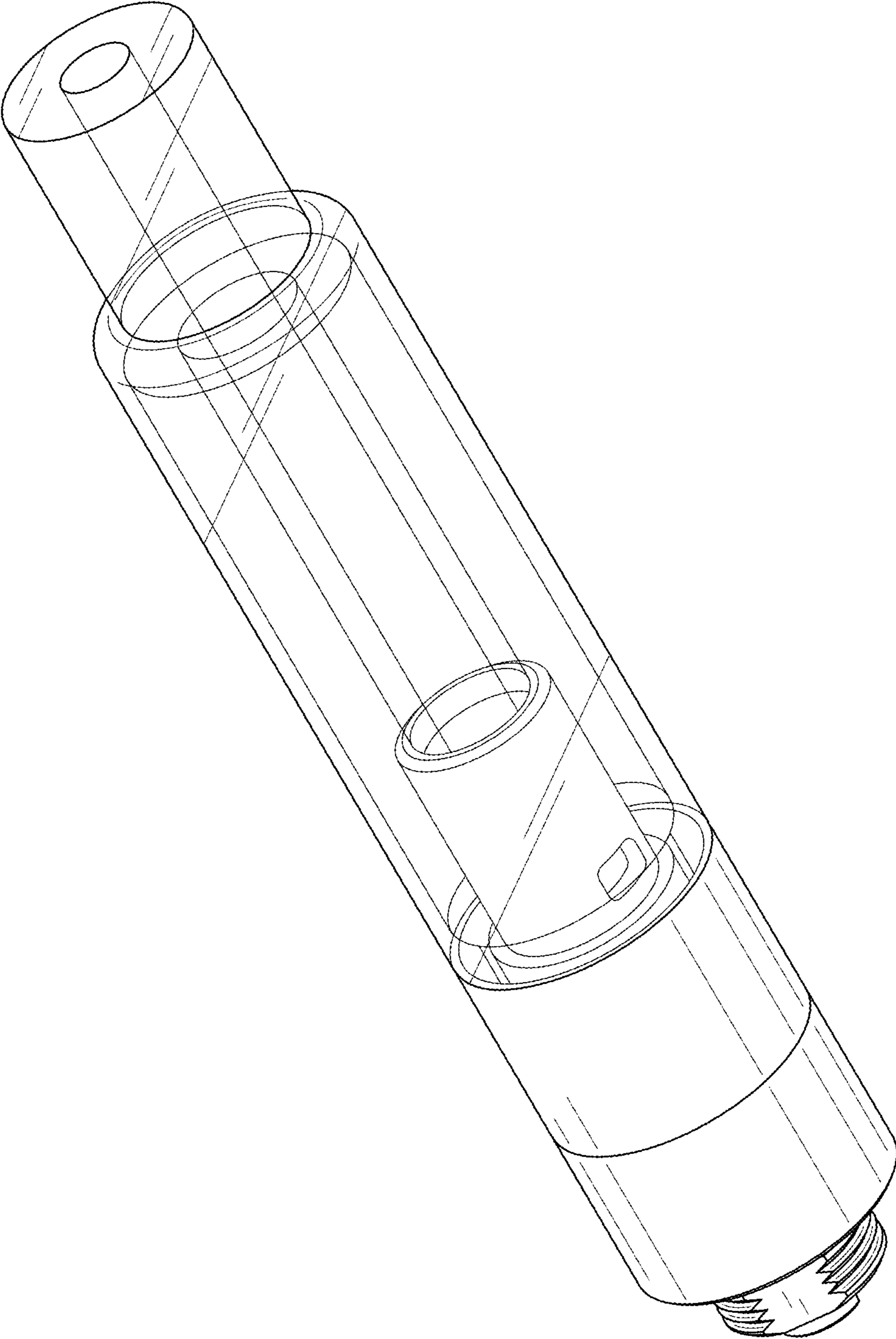


FIG. 1

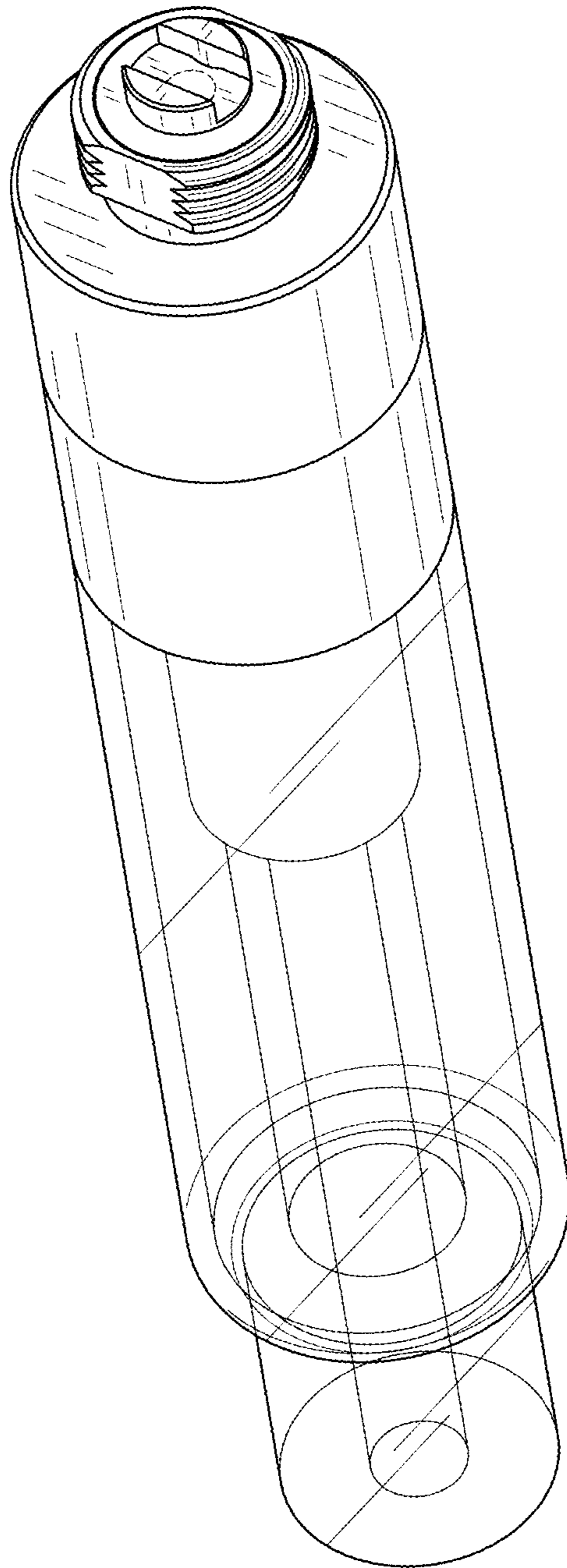


FIG. 2

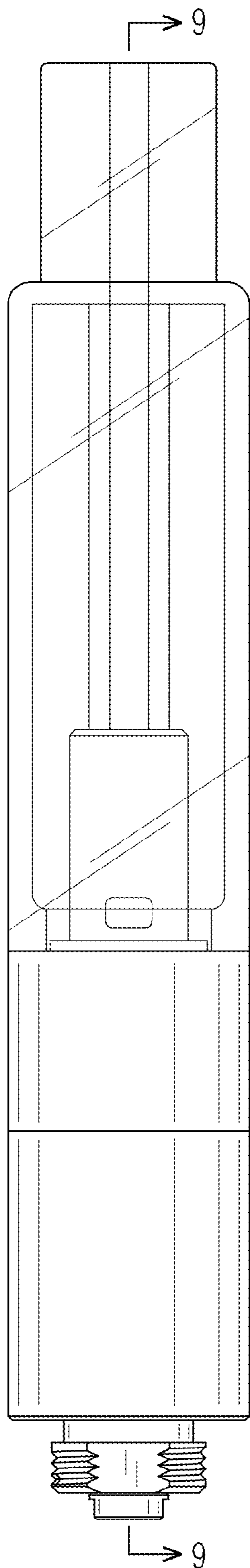


FIG. 3

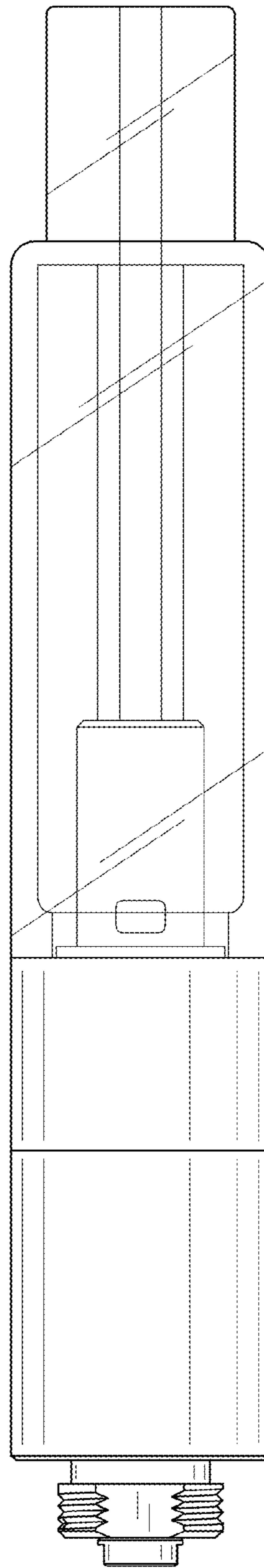


FIG. 4

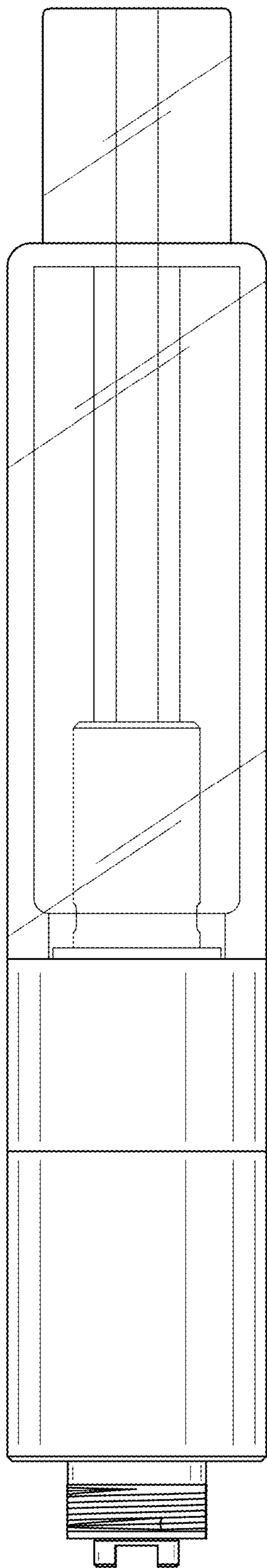


FIG. 5

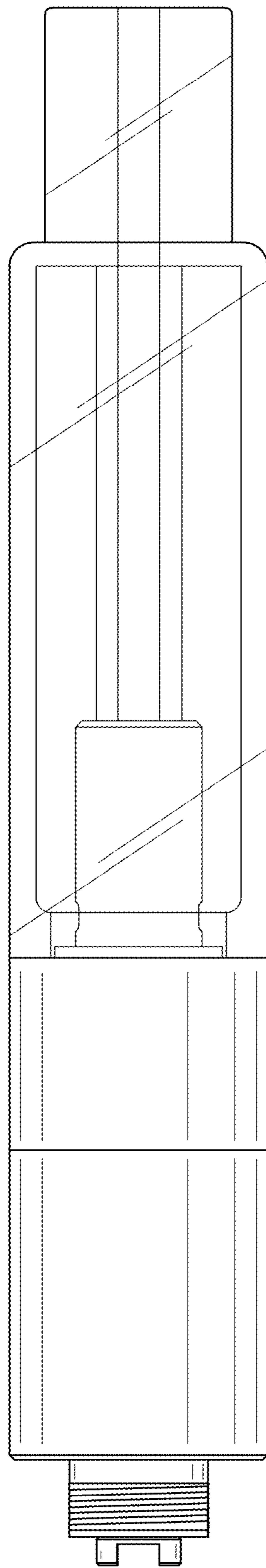


FIG. 6

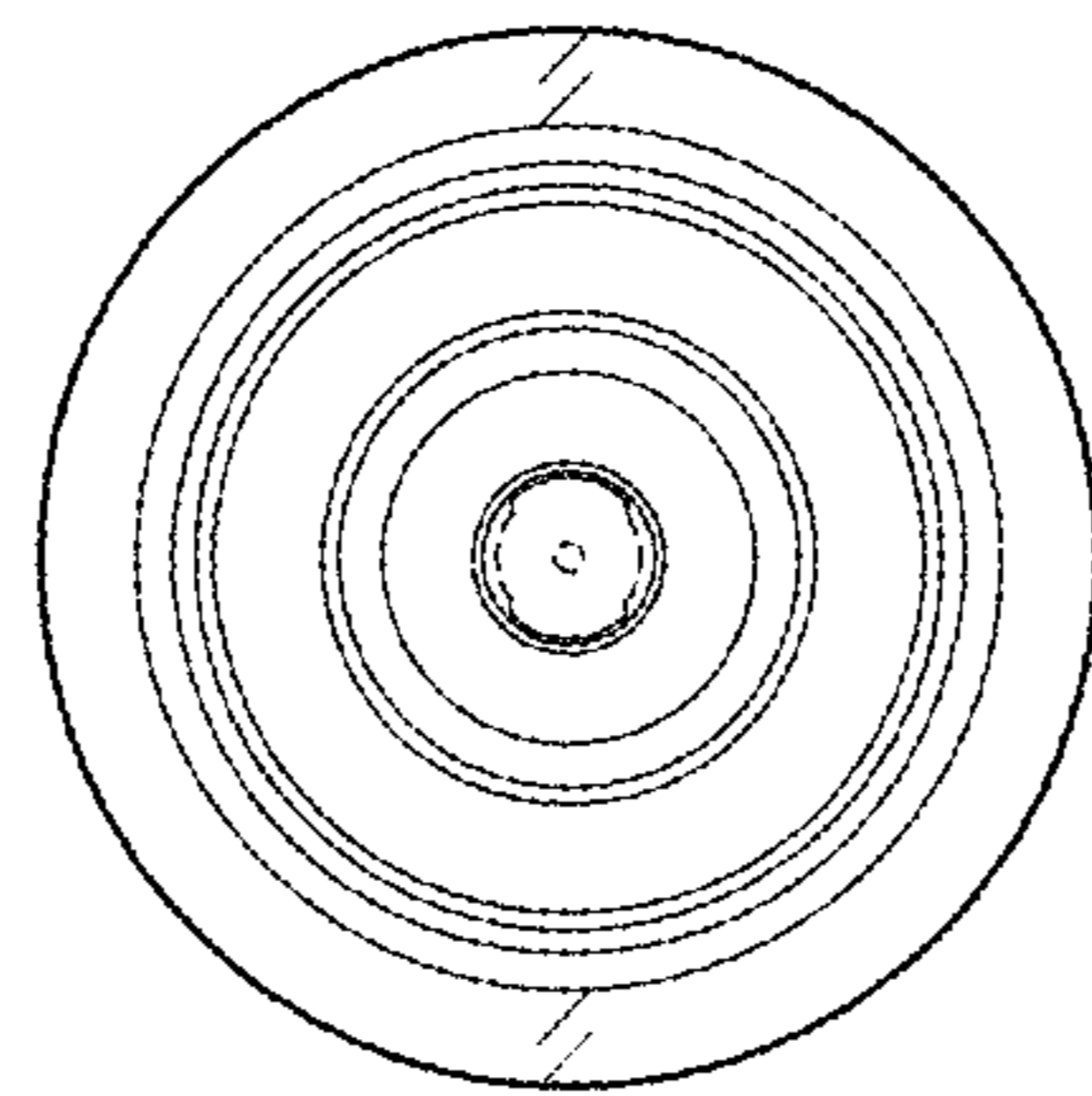


FIG. 7

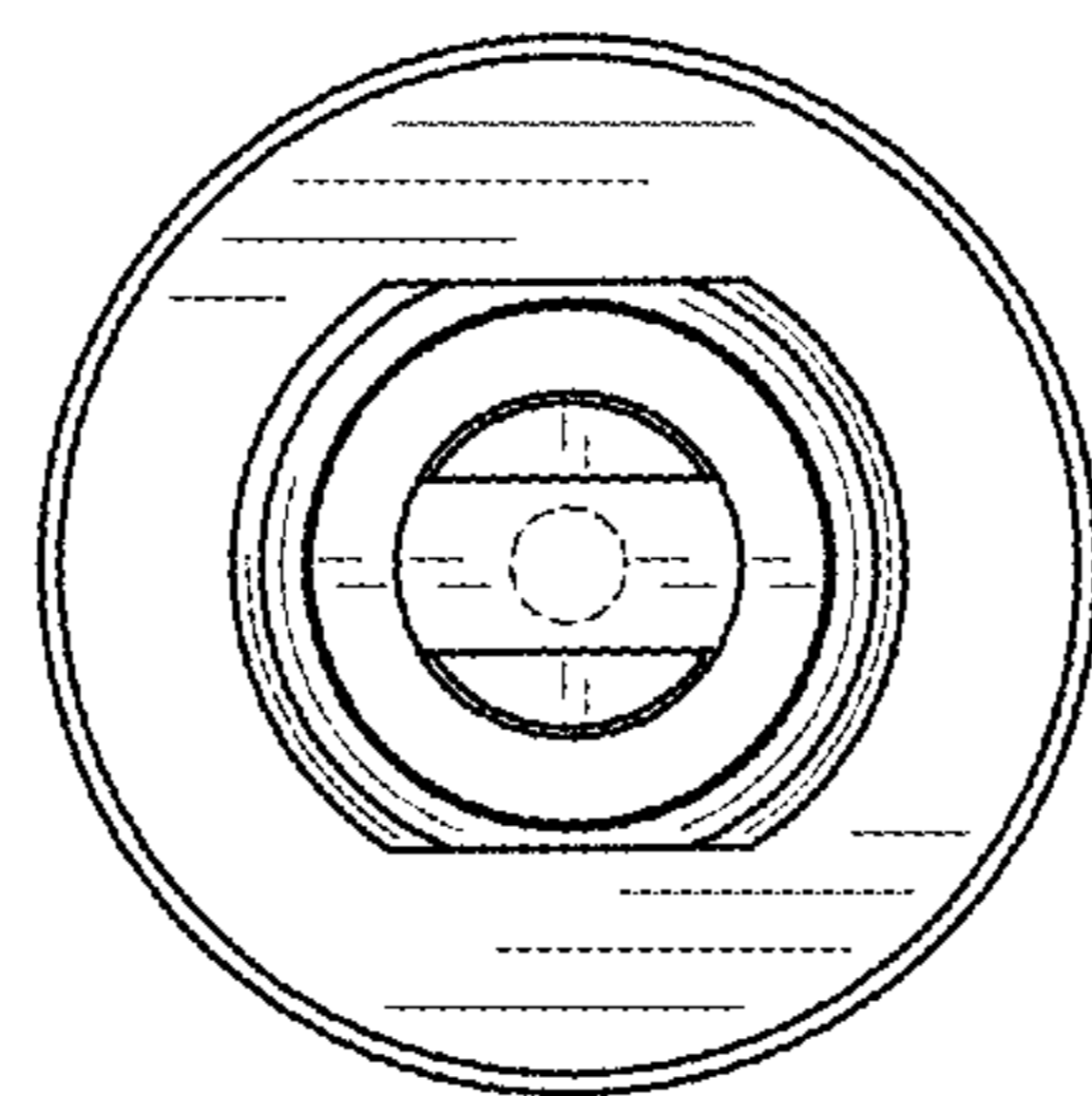


FIG. 8

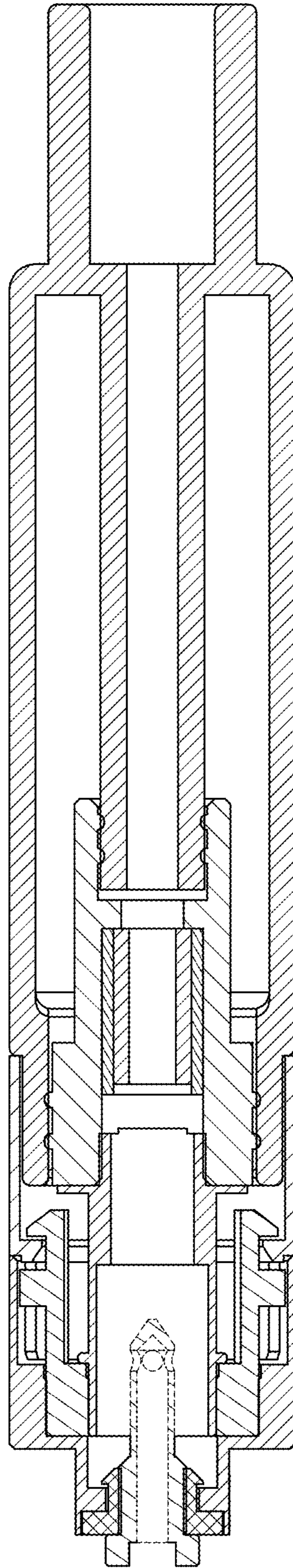


FIG. 9