



US00D958446S

(12) **United States Design Patent** (10) **Patent No.:** **US D958,446 S**
Ren (45) **Date of Patent:** **** Jul. 19, 2022**

(54) **LIGHTER**

(71) Applicant: **Wenjie Ren**, Luohe (CN)

(72) Inventor: **Wenjie Ren**, Luohe (CN)

(**) Term: **15 Years**

(21) Appl. No.: **29/783,306**

(22) Filed: **May 12, 2021**

(51) **LOC (13) Cl.** **27-05**

(52) **U.S. Cl.**
USPC **D27/141**

(58) **Field of Classification Search**
USPC D27/141, 139, 142, 143, 144, 147, 148,
D27/149, 152, 153, 157; D7/146
CPC F23Q 2/02; F23Q 2/16; F23Q 2/00; F23Q
2/28; F23Q 2/285
See application file for complete search history.

(56) **References Cited**

U.S. PATENT DOCUMENTS

D371,218 S *	6/1996	Chung	D27/141
D452,037 S *	12/2001	Smith	D27/157
D454,223 S *	3/2002	Park	D27/157
D459,834 S *	7/2002	Park	D27/157
D460,211 S *	7/2002	Park	D27/157
D463,617 S *	9/2002	Park	D27/157
D464,168 S *	10/2002	Reynolds	D27/142

D469,920 S *	2/2003	Hong	D27/143
D475,803 S *	6/2003	Park	D27/157
D515,735 S *	2/2006	Smith	D27/157
D526,440 S *	8/2006	Smith	D27/157
D529,226 S *	9/2006	Park	D27/157
D588,740 S *	3/2009	Maruyama	D27/157
D616,603 S *	5/2010	Chuan	D27/141
D912,886 S	3/2021	Pan		

* cited by examiner

Primary Examiner — Rebecca Tsehaye

(74) *Attorney, Agent, or Firm* — Justin Lampel

(57) **CLAIM**

The ornamental design for a lighter, as shown and described.

DESCRIPTION

FIG. 1 is a perspective view of a lighter showing the claimed design;

FIG. 2 is a top plan view thereof;

FIG. 3 is a left side view thereof;

FIG. 4 is a front elevational view thereof;

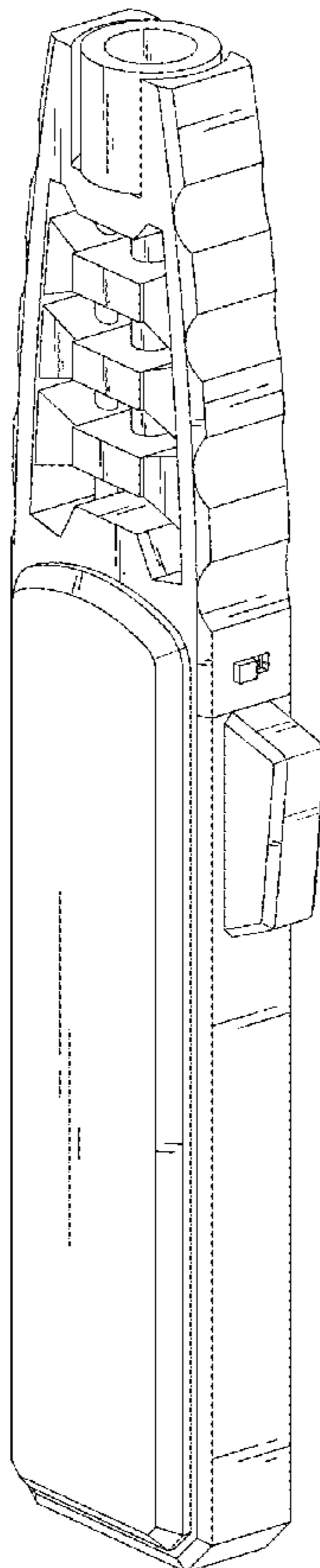
FIG. 5 is a right side view thereof;

FIG. 6 is a rear elevational view thereof; and,

FIG. 7 is a bottom plan view thereof.

The broken lines illustrate portions of the lighter that form no part of the claimed design.

1 Claim, 7 Drawing Sheets



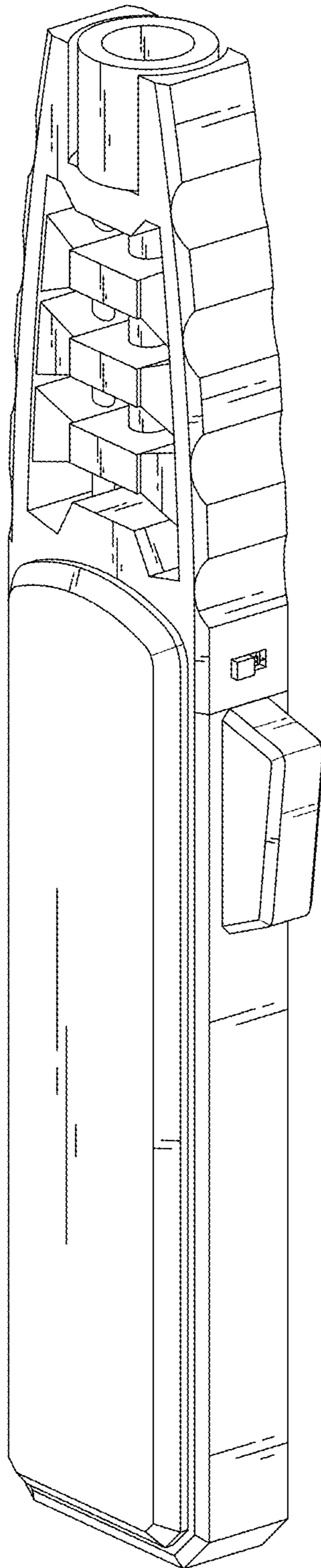


FIG.1

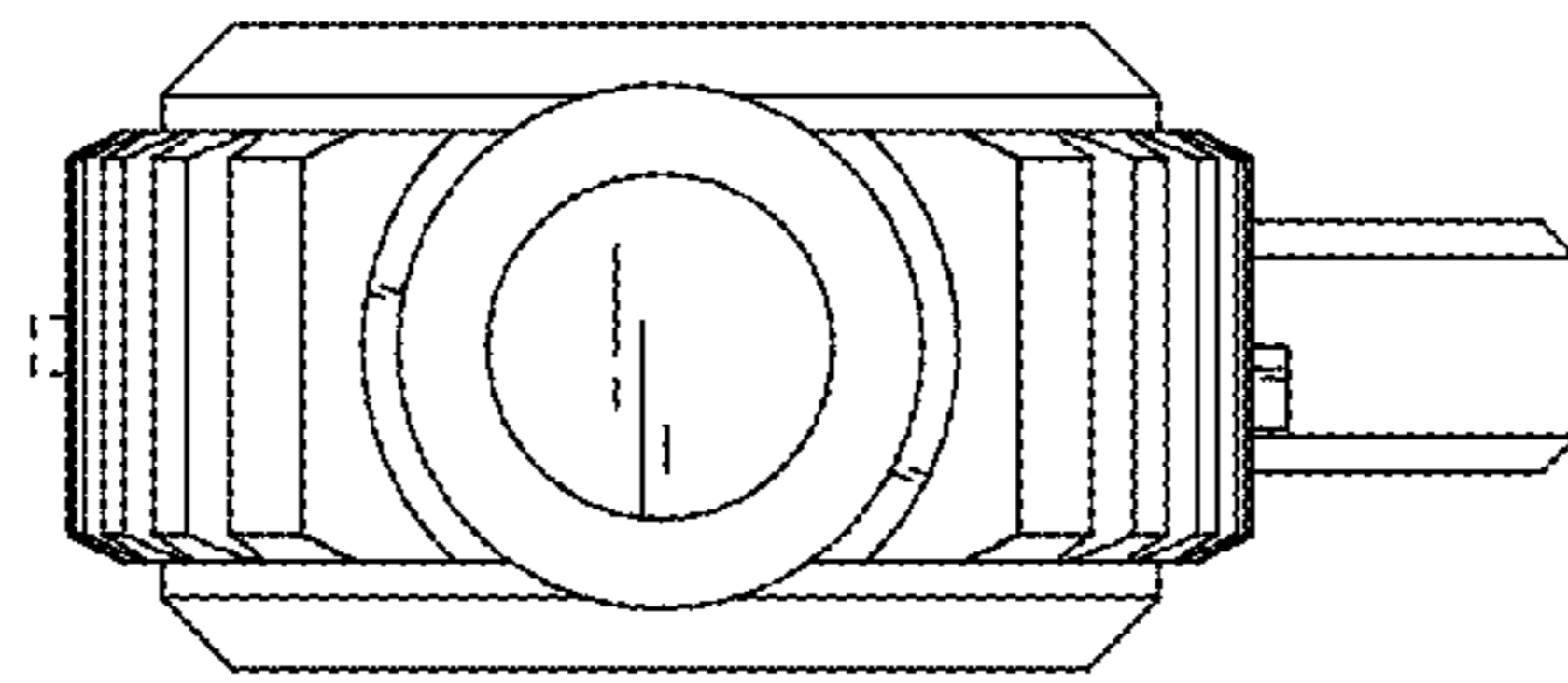


FIG. 2

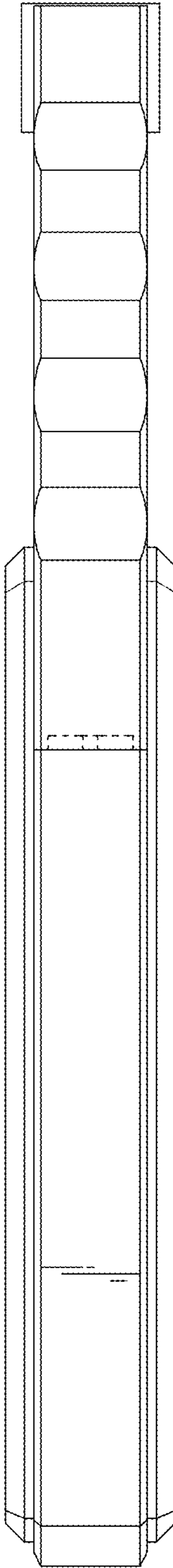


FIG.3

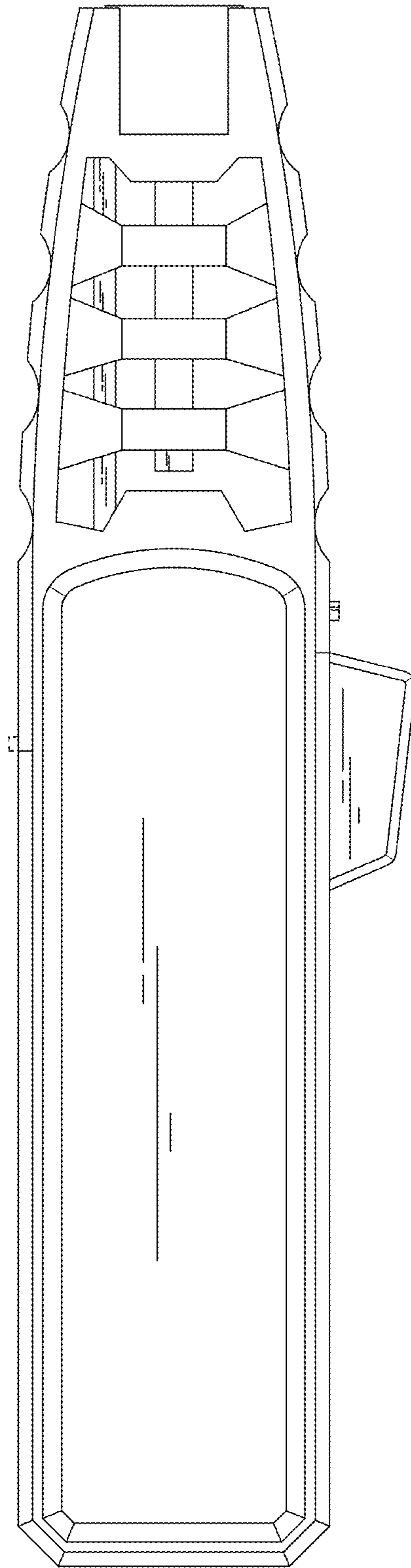


FIG.4

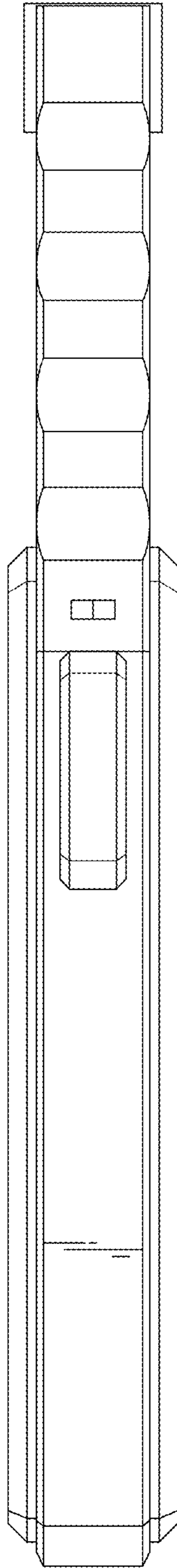


FIG. 5

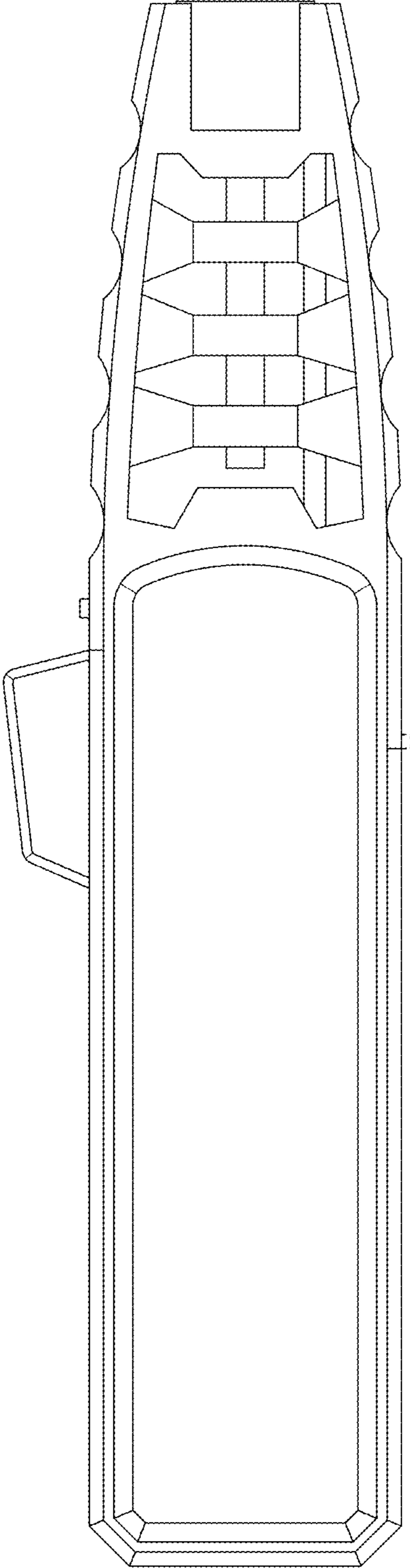


FIG.6

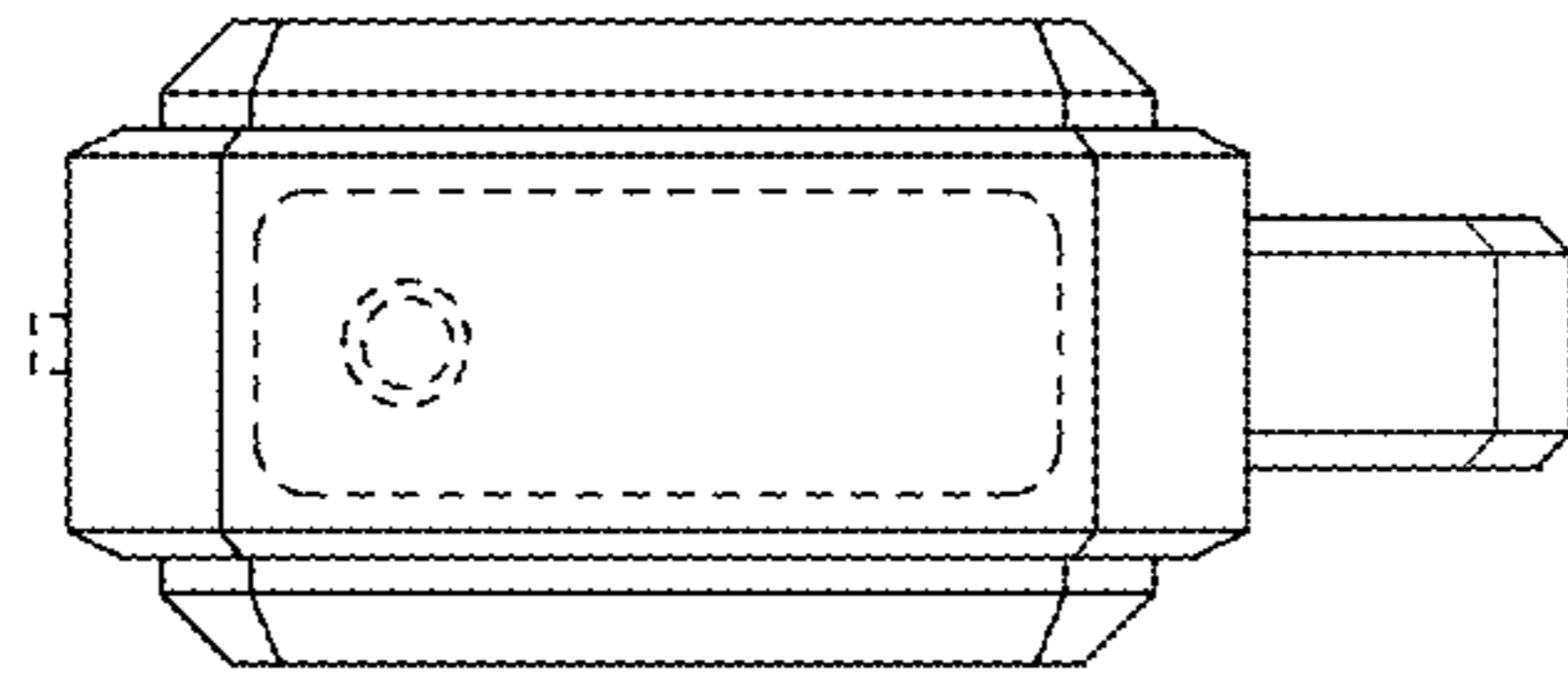


FIG. 7