



US00D958442S

(12) **United States Design Patent** (10) **Patent No.:** **US D958,442 S**  
**Li** (45) **Date of Patent:** **\*\* Jul. 19, 2022**

(54) **TABLE LAMP**

(71) Applicant: **Yuting Li**, Shenzhen (CN)

(72) Inventor: **Yuting Li**, Shenzhen (CN)

(\*\*) Term: **15 Years**

(21) Appl. No.: **29/801,618**

(22) Filed: **Jul. 29, 2021**

(51) **LOC (13) Cl.** ..... **26-05**

(52) **U.S. Cl.**  
USPC ..... **D26/106**

(58) **Field of Classification Search**  
USPC .... D26/24, 60, 93, 102, 104, 106, 107, 108,  
D26/110, 112

CPC .... F21S 6/00; F21S 6/002; F21S 6/003; F21S  
6/005; F21S 6/006; F21S 6/008; F21S  
8/043; F21S 8/08; F21V 21/02

See application file for complete search history.

(56) **References Cited**

**U.S. PATENT DOCUMENTS**

1,953,504	A	*	4/1934	Romberg	.....	F21S 6/002 362/388
D125,317	S	*	2/1941	Sabatini	.....	D26/88
D207,788	S	*	5/1967	Katsumata	.....	D26/102
D217,495	S	*	5/1970	Levy	.....	D26/57
D304,164	S	*	10/1989	Rochte	.....	D11/131
D756,017	S	*	5/2016	Ho	.....	D26/104
D756,018	S	*	5/2016	Ho	.....	D26/104
D756,019	S	*	5/2016	Ho	.....	D26/104
D768,909	S		10/2016	Maier		
D771,300	S	*	11/2016	Micheli	.....	D26/93
10,161,601	B1	*	12/2018	Chen	.....	F21S 6/00
D863,650	S	*	10/2019	Gambrel	.....	D26/88
D879,360	S		3/2020	Zeng		
D880,046	S	*	3/2020	Orozco	.....	D26/81
D930,887	S	*	9/2021	Xie	.....	D26/107

**OTHER PUBLICATIONS**

Toper Rustic Industrial Table Lamp, Franklin Iron Works, [https://www.amazon.com/dp/B07PMDL6Z1/ref=sbl\\_dp\\_x\\_Jighting-table-lamps\\_B08HH1X372\\_0](https://www.amazon.com/dp/B07PMDL6Z1/ref=sbl_dp_x_Jighting-table-lamps_B08HH1X372_0), Mar. 13, 2019 (Year: 2019).\*

\* cited by examiner

*Primary Examiner* — Richard Kearney  
*Assistant Examiner* — Benjamin M Weeks

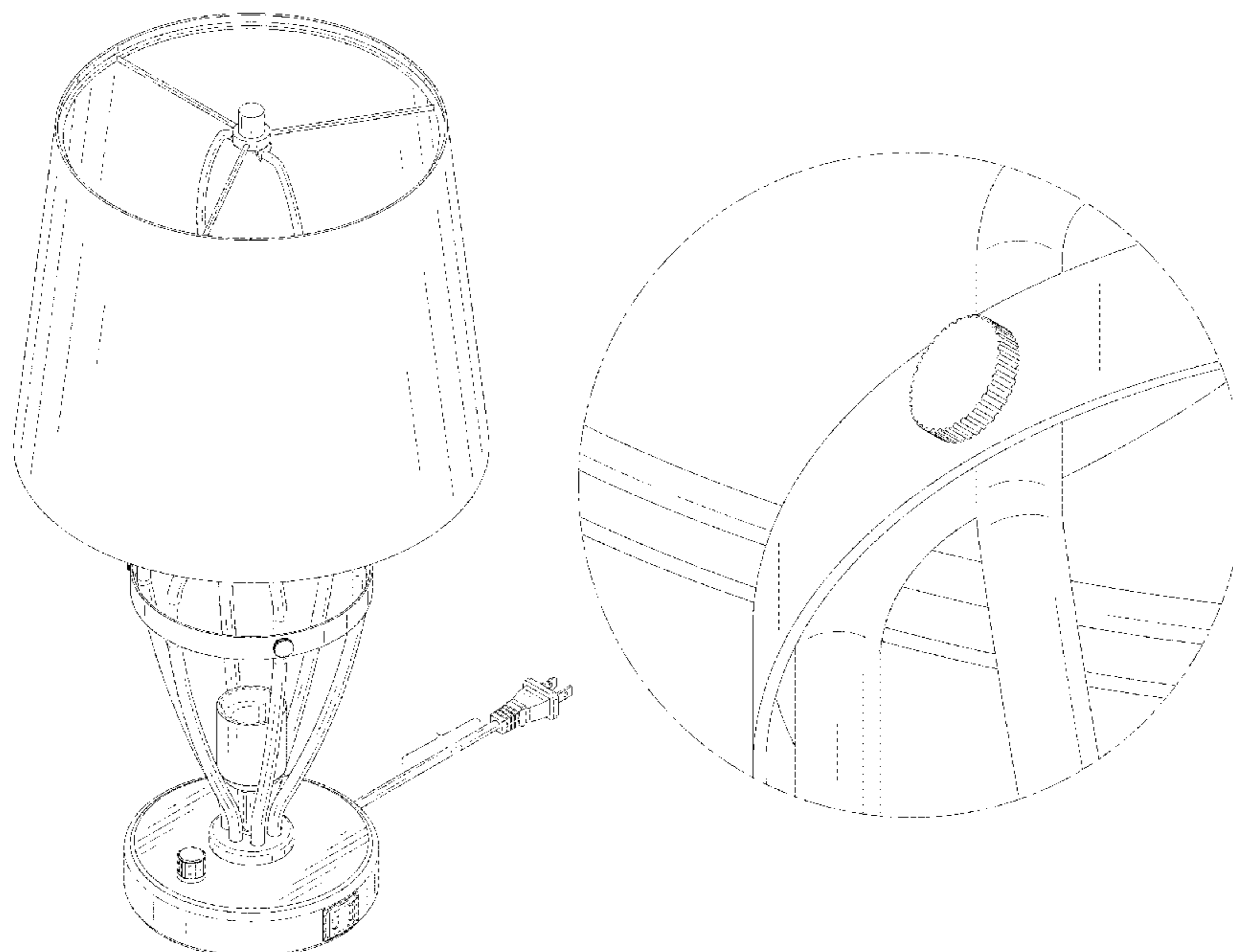
(57) **CLAIM**

The ornamental design for a table lamp, as shown and described.

**DESCRIPTION**

FIG. 1 is a perspective view of a table lamp showing my new design;  
FIG. 2 is another perspective view thereof;  
FIG. 3 is a front elevational view thereof;  
FIG. 4 is a rear elevational view thereof;  
FIG. 5 is a left side elevational view thereof;  
FIG. 6 is a right side elevational view thereof;  
FIG. 7 is a top plan view thereof;  
FIG. 8 is a bottom plan view thereof;  
FIG. 9 is a perspective view of a lamp frame of the table lamp, shown separately for illustration;  
FIG. 10 is an enlarged view of portion 10 shown in FIG. 2; and,  
FIG. 11 is an enlarged view of portion 11 shown in FIG. 9.  
The dash-dash broken lines in the drawings depict portions of the table lamp that form no part of the claimed design. The dot-dash broken lines represent boundaries of the enlarged portions and form no part of the claimed design.

**1 Claim, 11 Drawing Sheets**



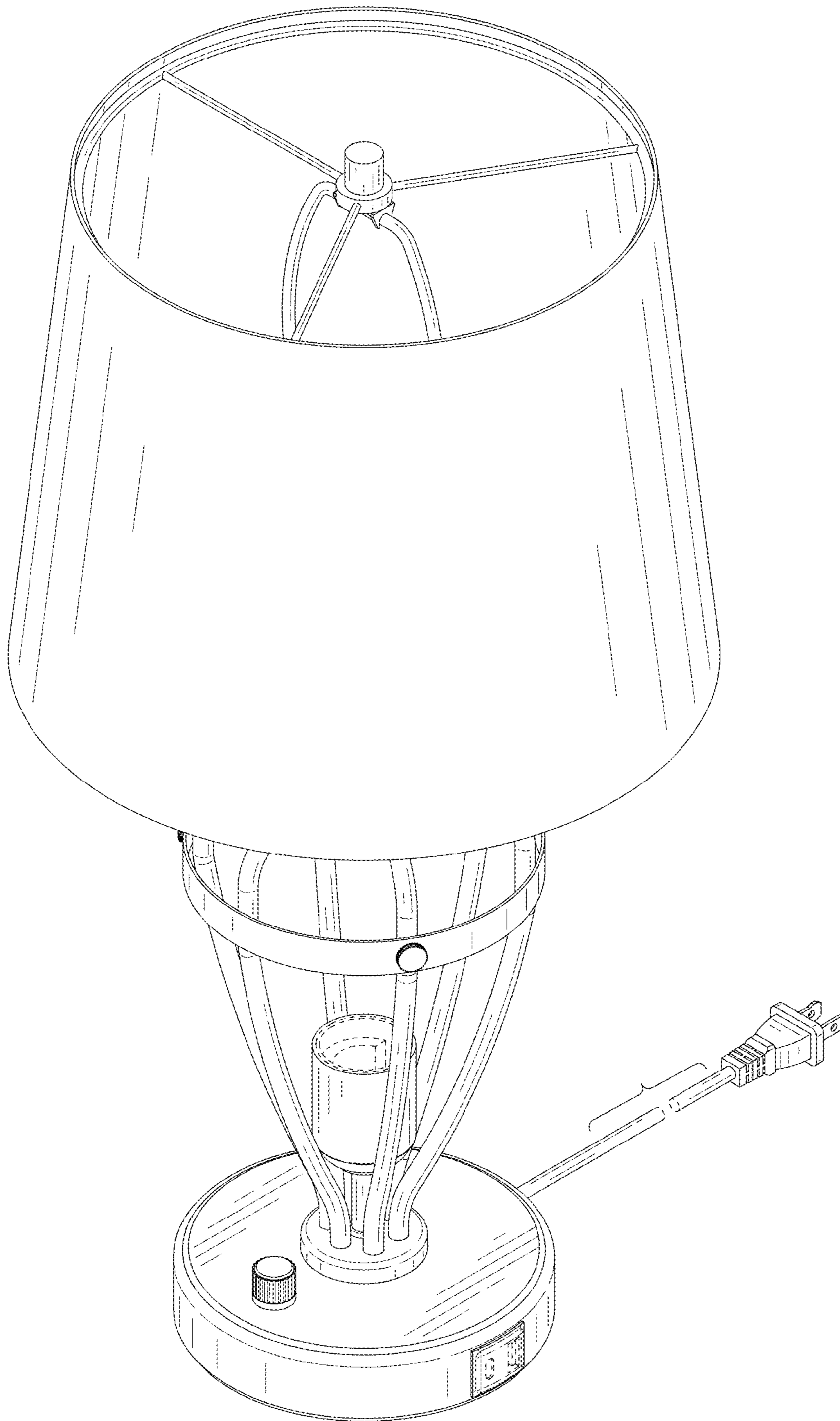


FIG. 1

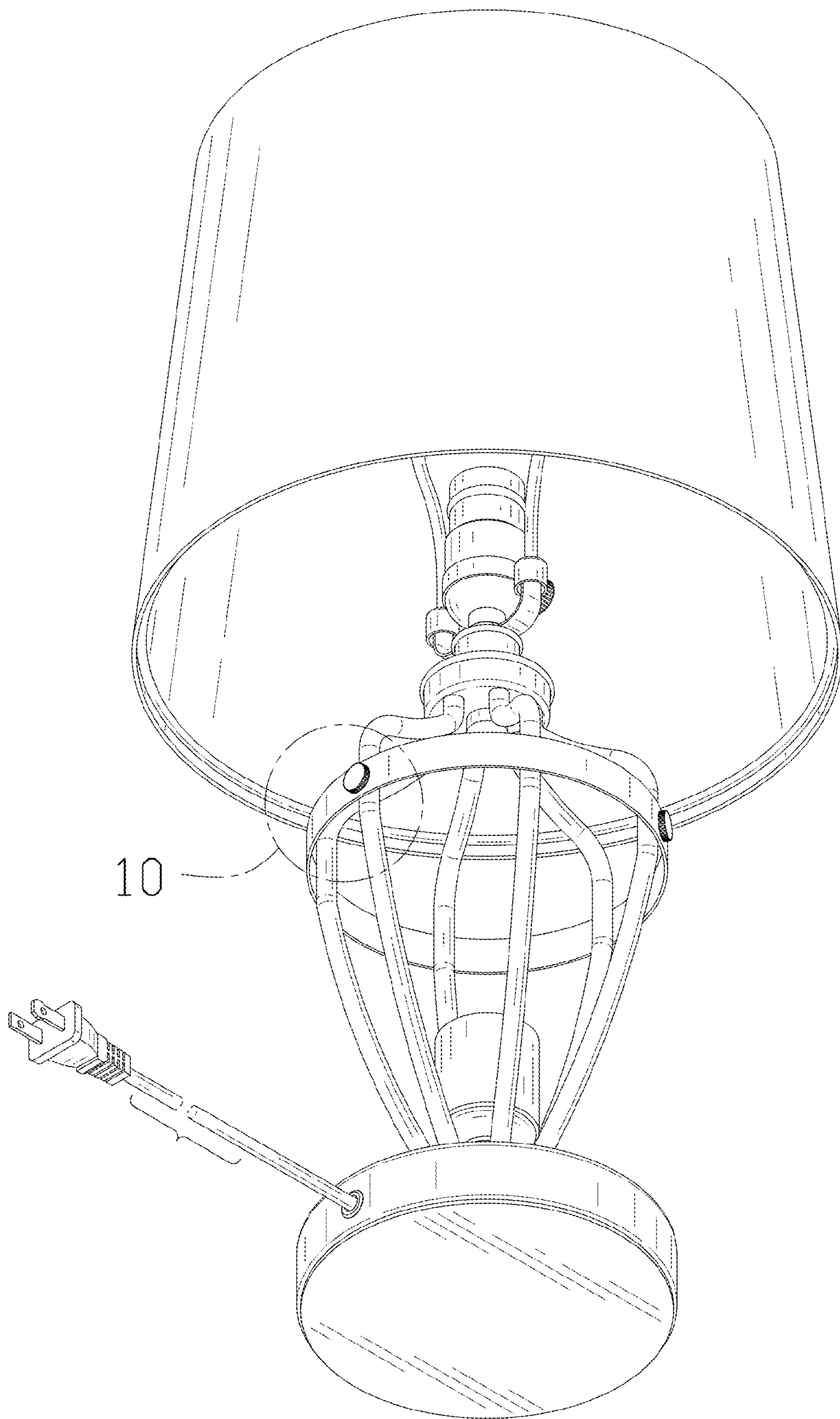


FIG. 2

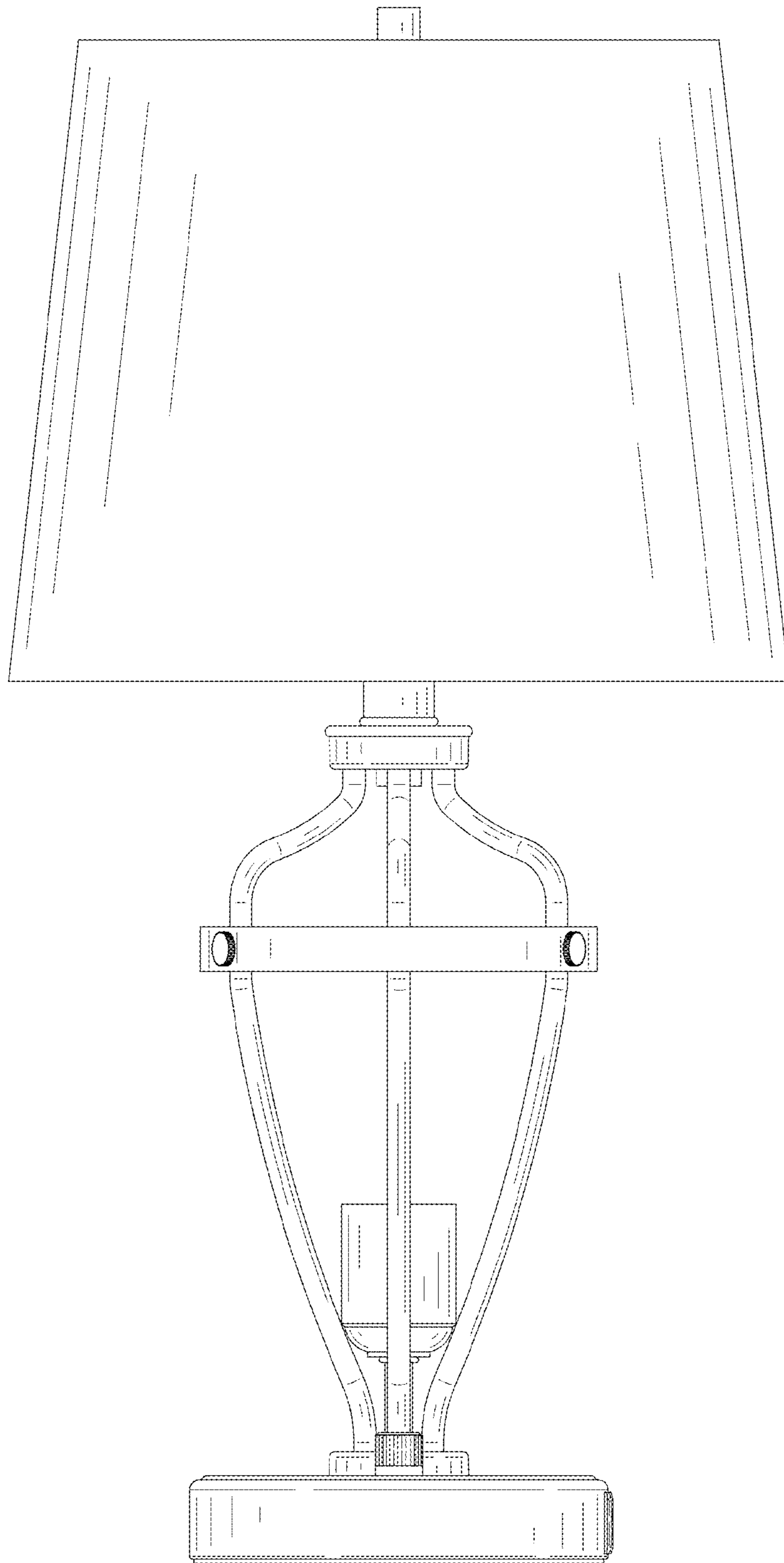


FIG. 3

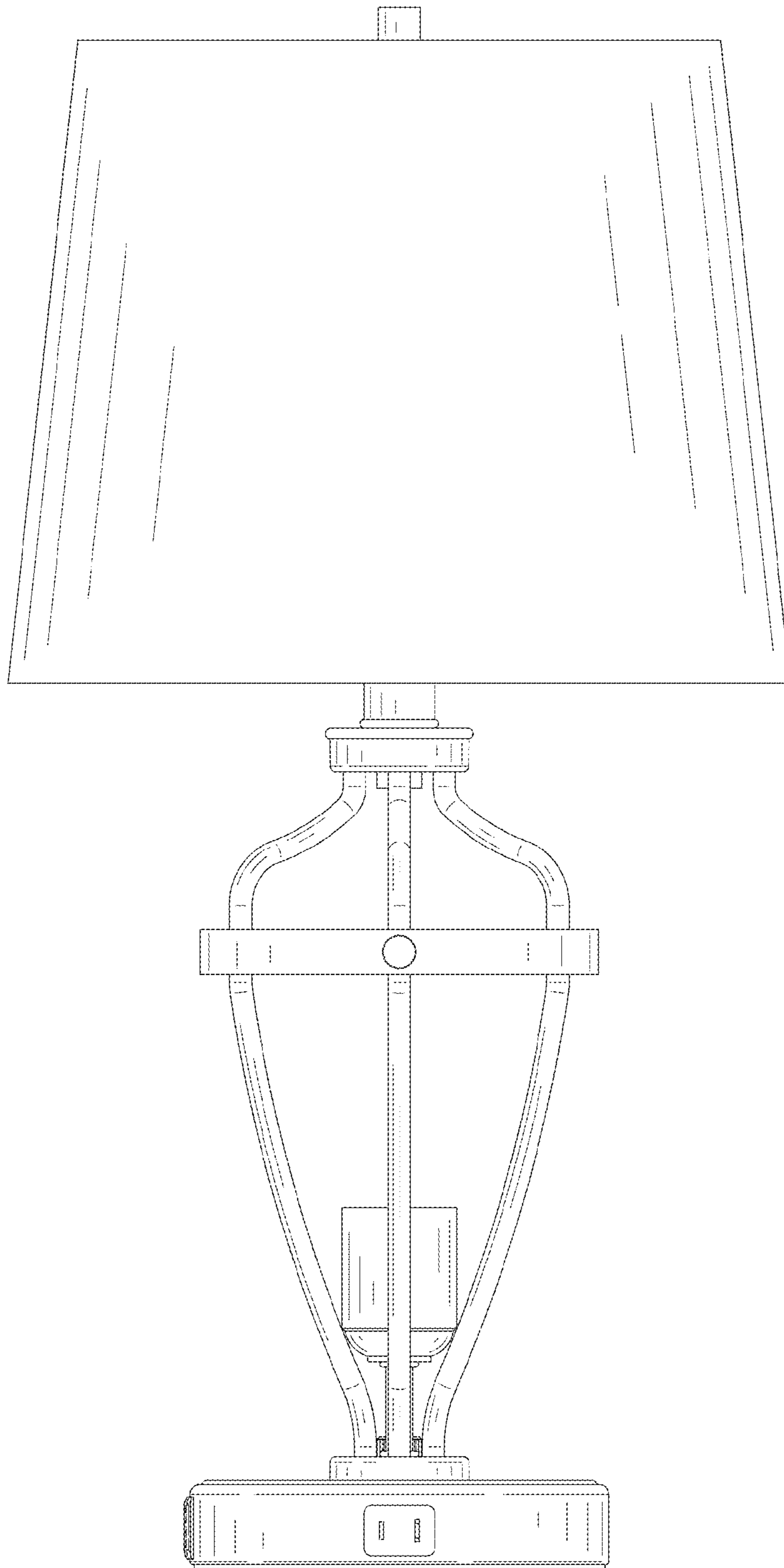


FIG. 4

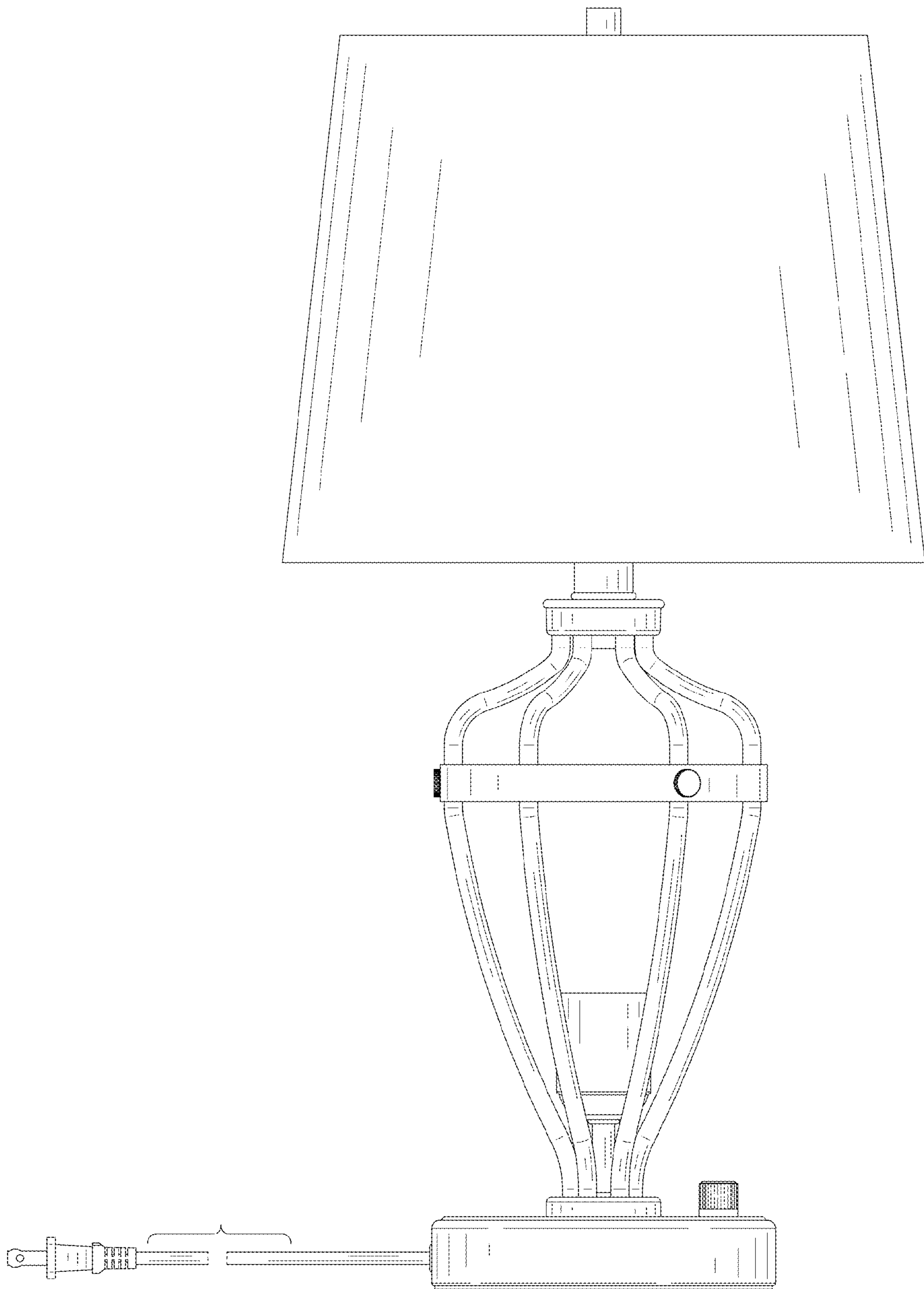


FIG. 5

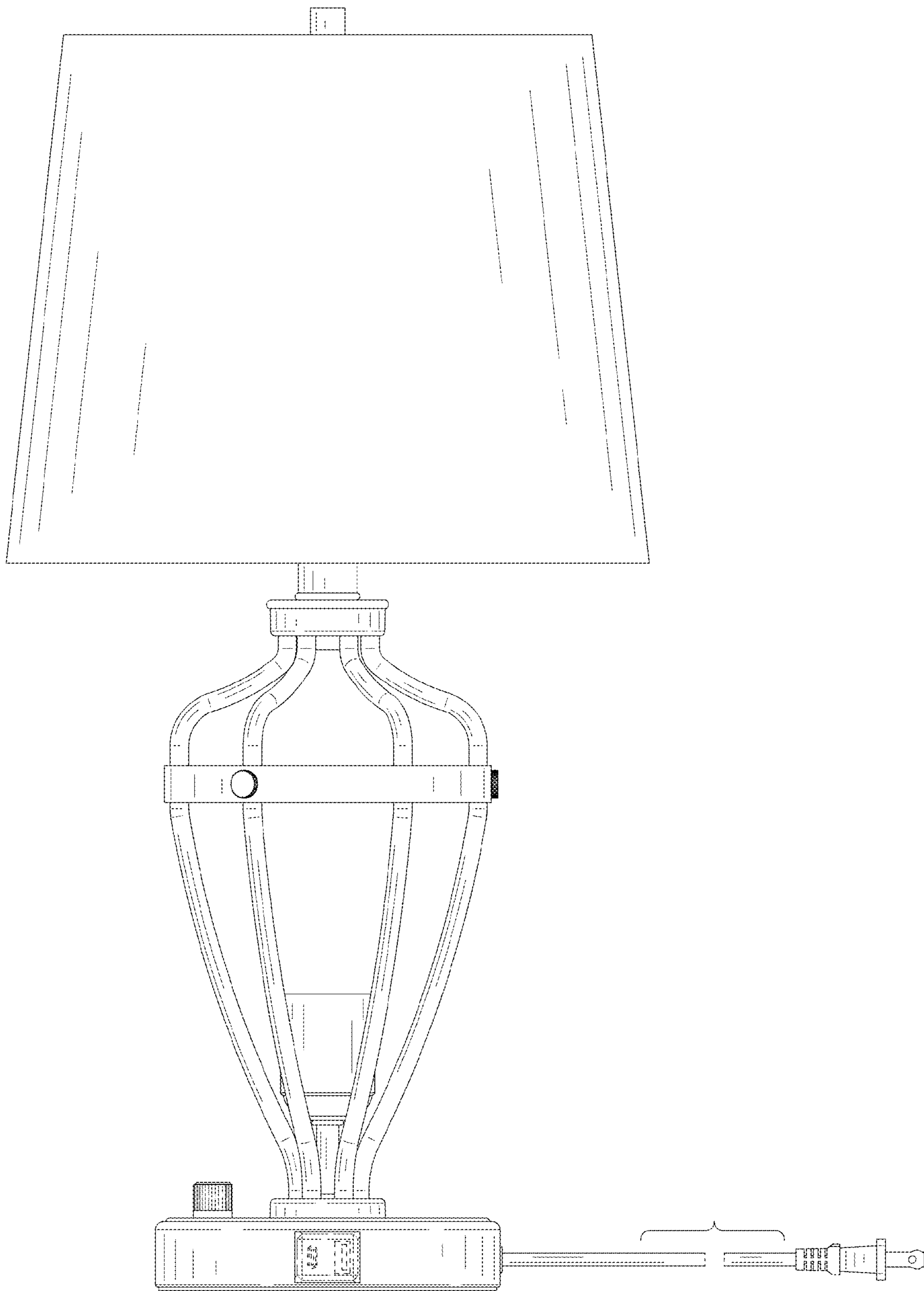


FIG. 6

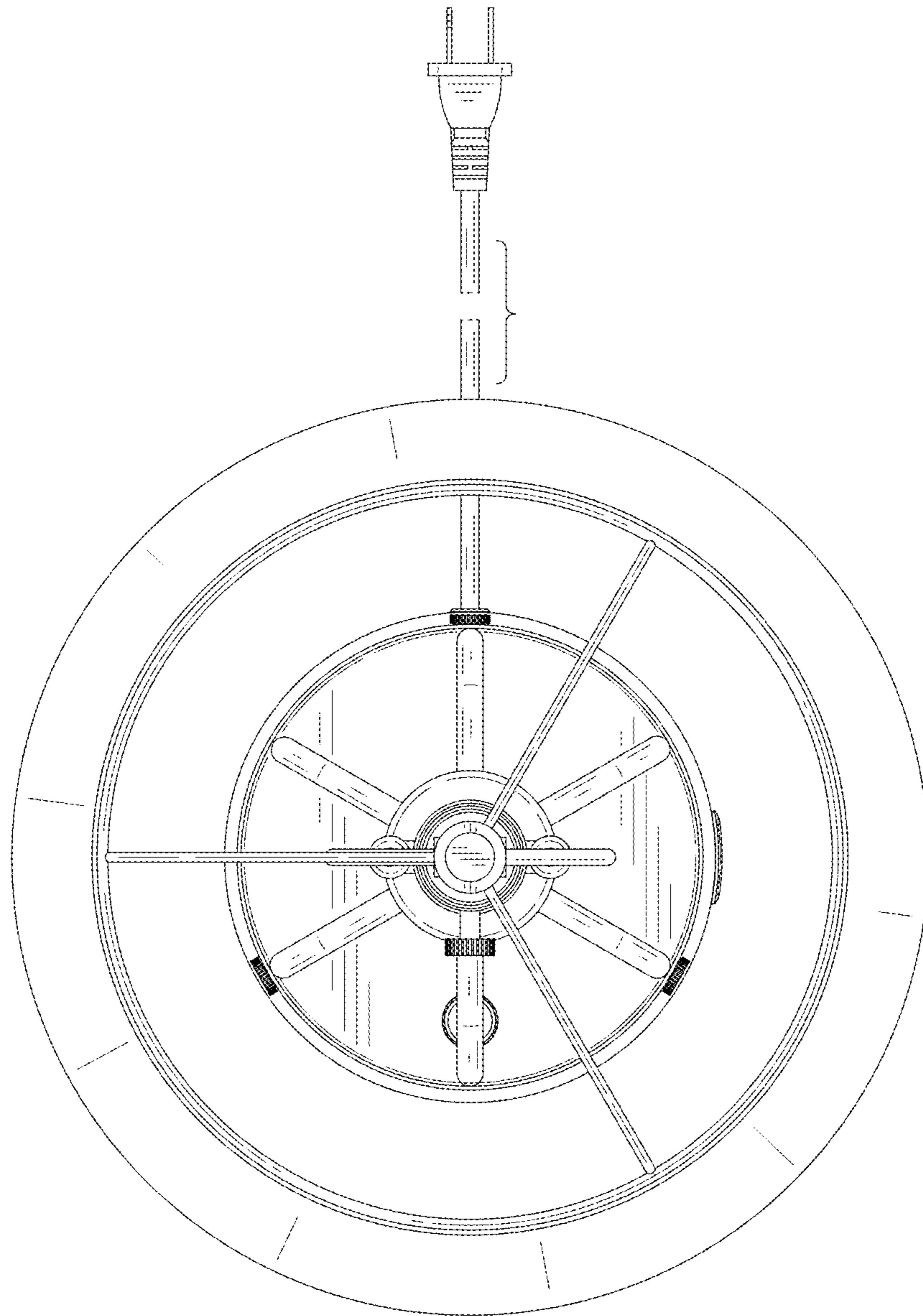


FIG. 7



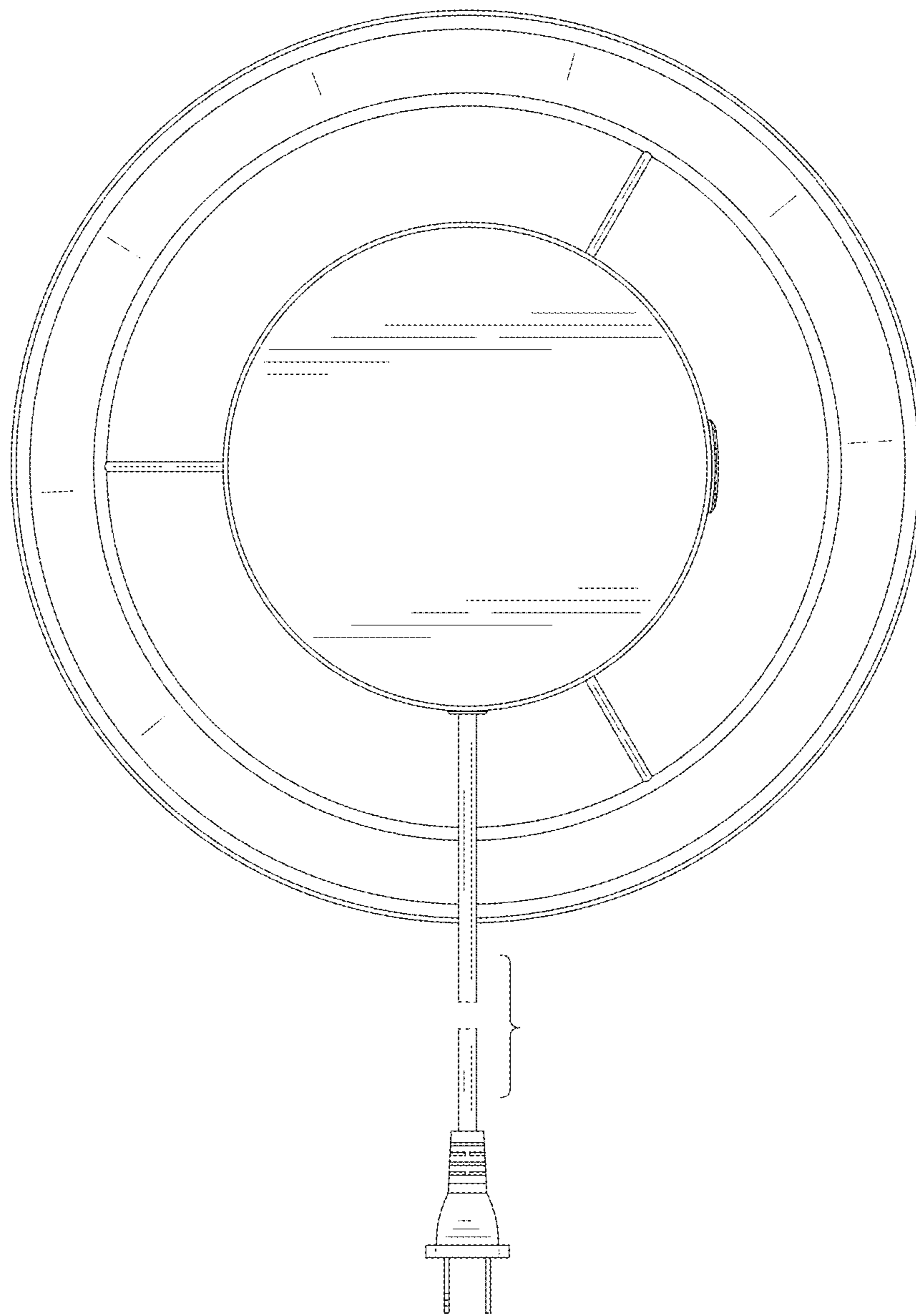


FIG. 8

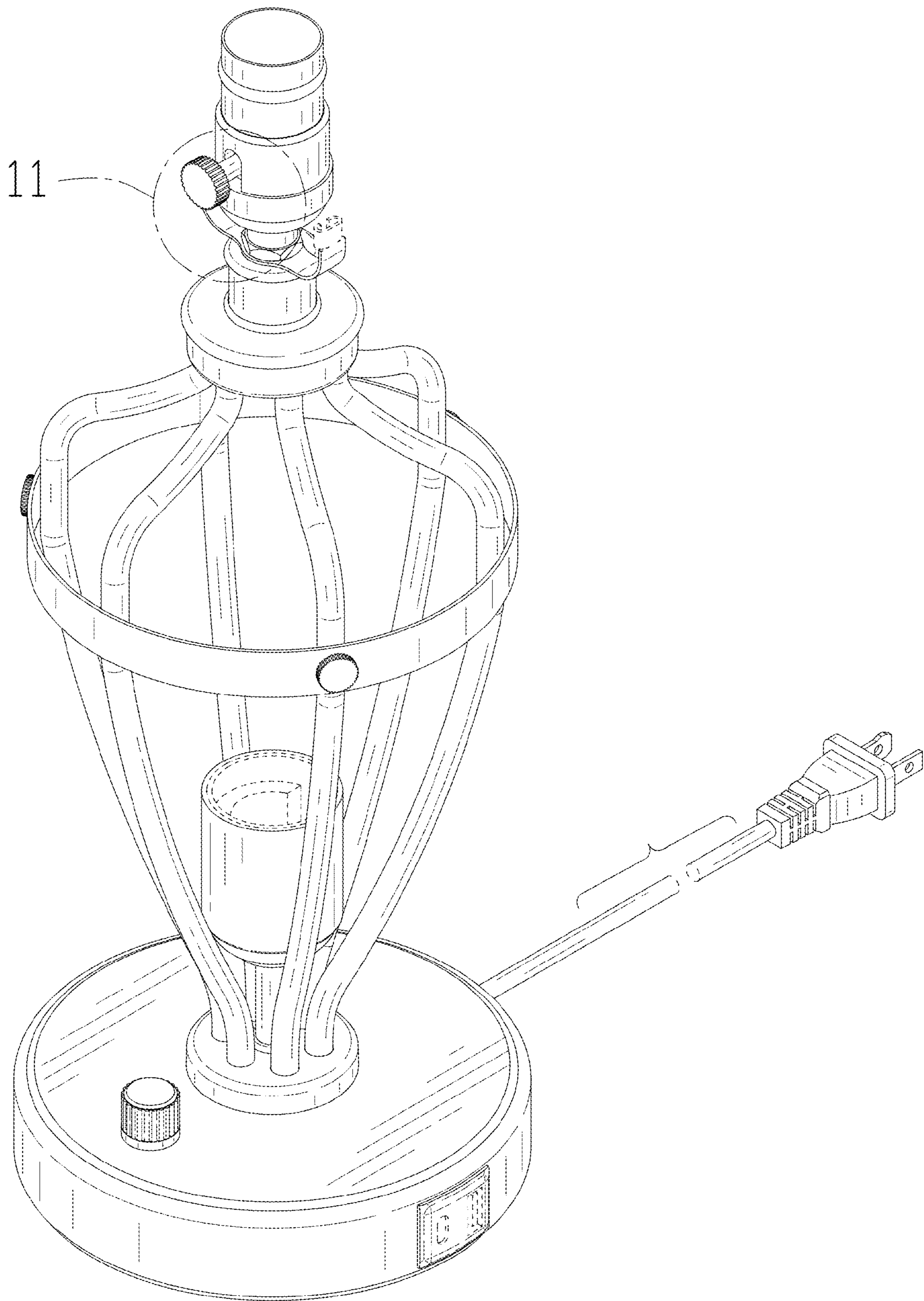


FIG. 9

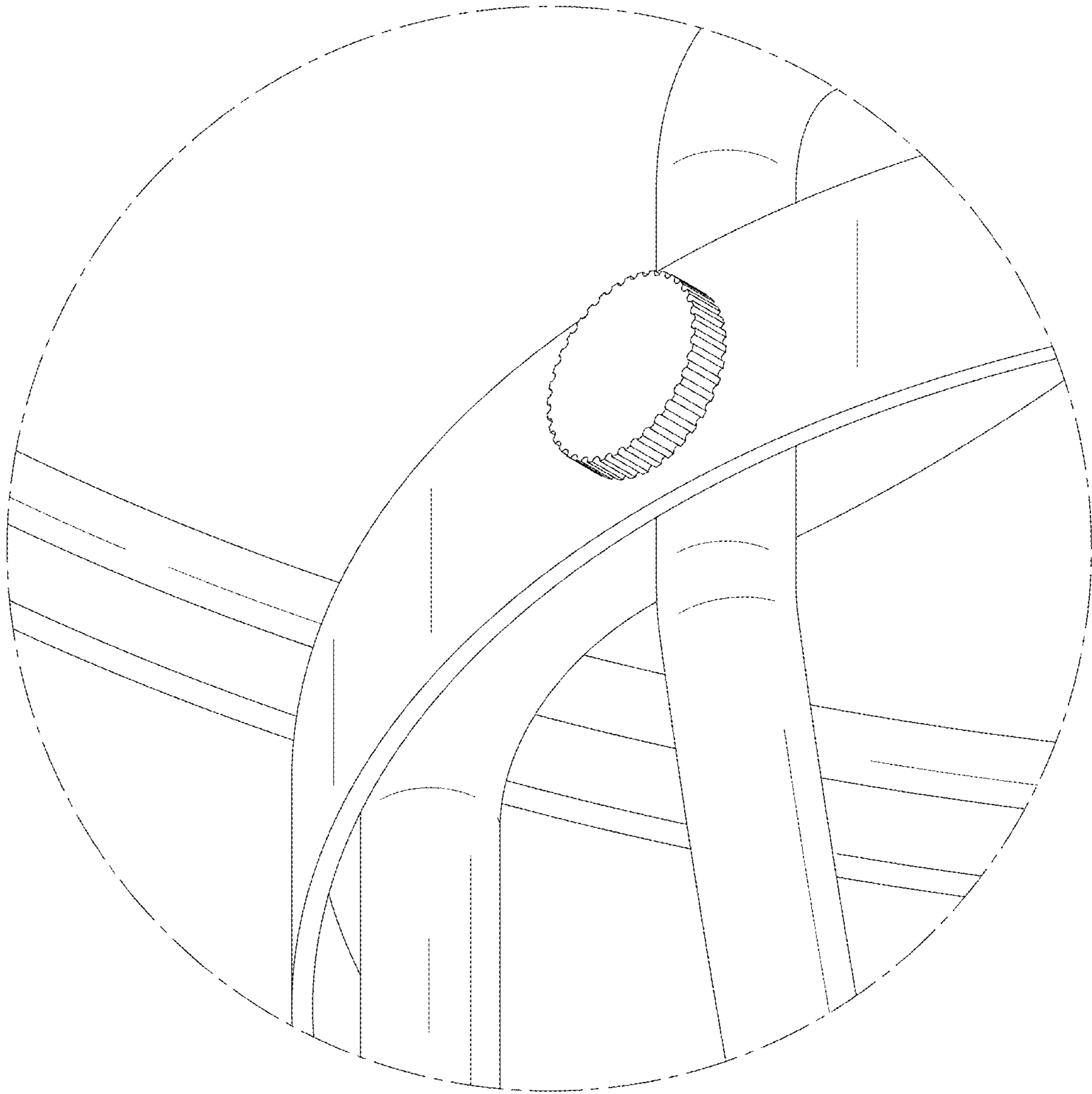


FIG. 10

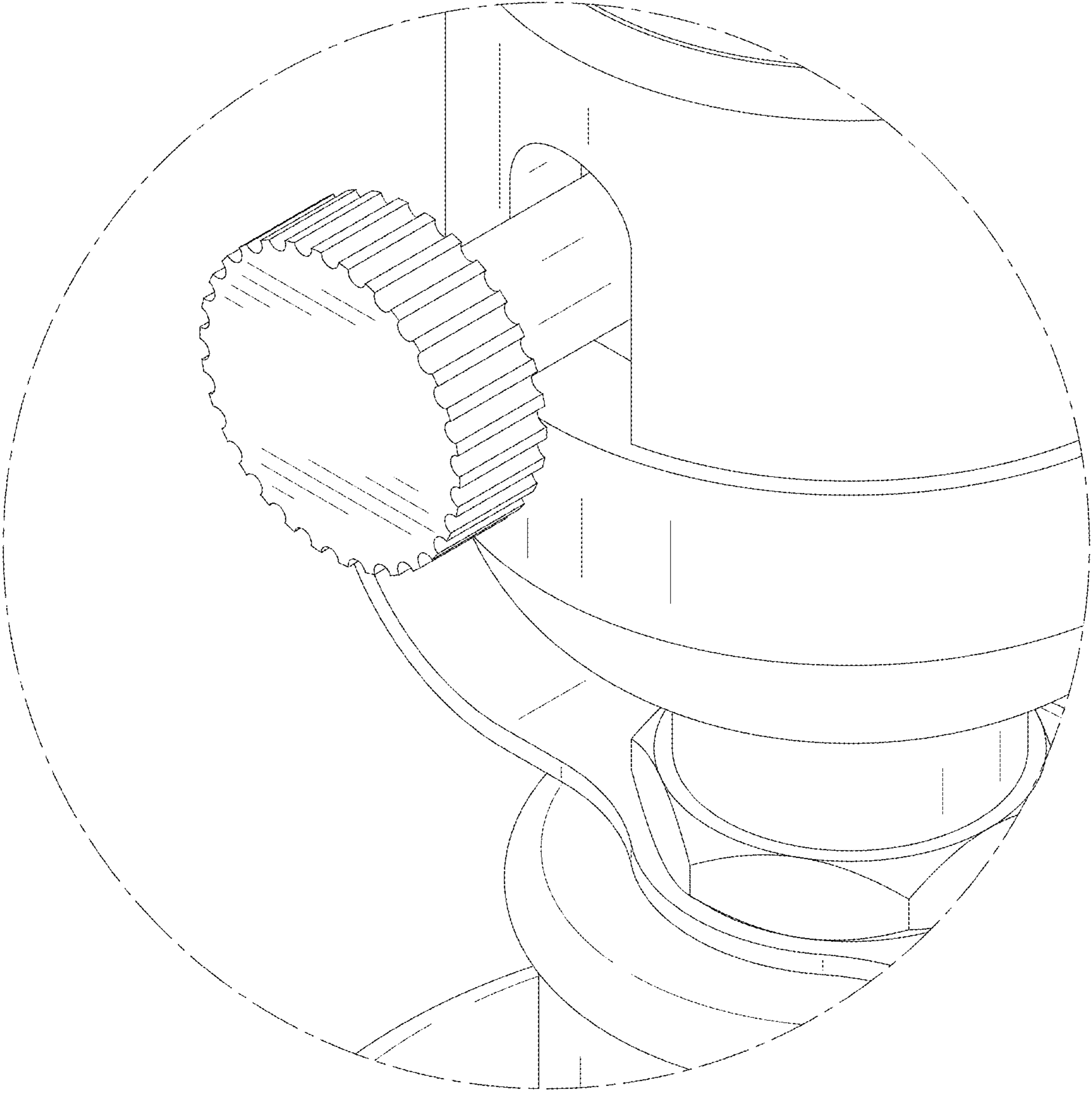


FIG. 11