



US00D958441S

(12) **United States Design Patent**  
**Zhou**

(10) **Patent No.:** **US D958,441 S**  
(45) **Date of Patent:** **\*\* Jul. 19, 2022**

(54) **LAMP**

(71) Applicant: **YIWU PUHONG TRADING CO., LTD**, Yiwu (CN)

(72) Inventor: **Hongxue Zhou**, Taizhou (CN)

(73) Assignee: **YIWU PUHONG TRADING CO., LTD**, Yiwu (CN)

(\*\*) Term: **15 Years**

(21) Appl. No.: **29/761,346**

(22) Filed: **Dec. 8, 2020**

(51) **LOC (13) Cl.** ..... **26-03**

(52) **U.S. Cl.**  
USPC ..... **D26/94**; D11/125

(58) **Field of Classification Search**  
USPC ..... D11/117, 121, 125, 130, 131, 157, 158, D11/172, 178, 40, 47, 48; D26/1, 4-10, D26/24, 93, 94, 25, 26; 362/806, 807, 362/810; 428/7, 8, 9, 11  
CPC ..... F21S 4/00; F21S 4/10; F21S 6/00; F21S 6/002; F21S 6/007; F21S 10/00; F21S 10/06; F21W 2121/00; F21W 2121/004; F21W 2121/006; F21W 2121/008; F21W 2131/30; B44F 1/00; B44F 1/02; F21Y 2105/10; F21Y 2105/12; F21Y 2105/18  
See application file for complete search history.

(56) **References Cited**

**U.S. PATENT DOCUMENTS**

D169,019 S *	3/1953	Wenner-gren	.....	D11/96
2,644,260 A *	7/1953	Woolven	.....	A47G 33/08
				428/9
2,847,780 A *	8/1958	Ellerman	.....	G04B 45/0069
				40/584
D184,477 S *	2/1959	Flaster	.....	D11/121
D189,644 S *	1/1961	Gatti	.....	D11/121
D246,833 S *	1/1978	Campbell	.....	D11/125
D275,559 S *	9/1984	Williams	.....	D11/124

D276,798 S *	12/1984	Joseph	.....	D11/125
D328,724 S *	8/1992	Dudley	.....	D11/117
D344,911 S *	3/1994	Stork	.....	D11/130.1
5,316,807 A *	5/1994	Hill	.....	A41G 1/00
				428/17
D376,120 S *	12/1996	Fu-Hsien	.....	D11/121

(Continued)

**FOREIGN PATENT DOCUMENTS**

CN 305262027 \* 7/2019

**OTHER PUBLICATIONS**

Stellar dendrite snowflake, light micrograph, <https://www.sciencephoto.com/media/1076907/view>, copyright Science Photo Library Limited 2021 (Year: 2021).\*

*Primary Examiner* — Elizabeth J Oswecki

(57) **CLAIM**

The ornamental design for a lamp, as shown and described.

**DESCRIPTION**

FIG. 1 is a perspective view of a lamp showing my new design;  
 FIG. 2 is another perspective view thereof;  
 FIG. 3 is a front elevational view thereof;  
 FIG. 4 is a rear elevational view thereof;  
 FIG. 5 is a left side elevational view thereof;  
 FIG. 6 is a right side elevational view thereof;  
 FIG. 7 is a top plan view thereof;  
 FIG. 8 is a bottom plan view thereof;  
 FIG. 9 is an enlarged portion view labeled, "FIG. 9," shown in FIG. 1; and,  
 FIG. 10 is an enlarged portion view labeled, "FIG. 10," shown in FIG. 2.  
 The even broken lines in the drawings depict portions of the lamp that form no part of the claimed design. The dash-dot lines define the boundary of the enlarged portion views shown in FIGS. 1, 2, 9 and 10.

**1 Claim, 10 Drawing Sheets**

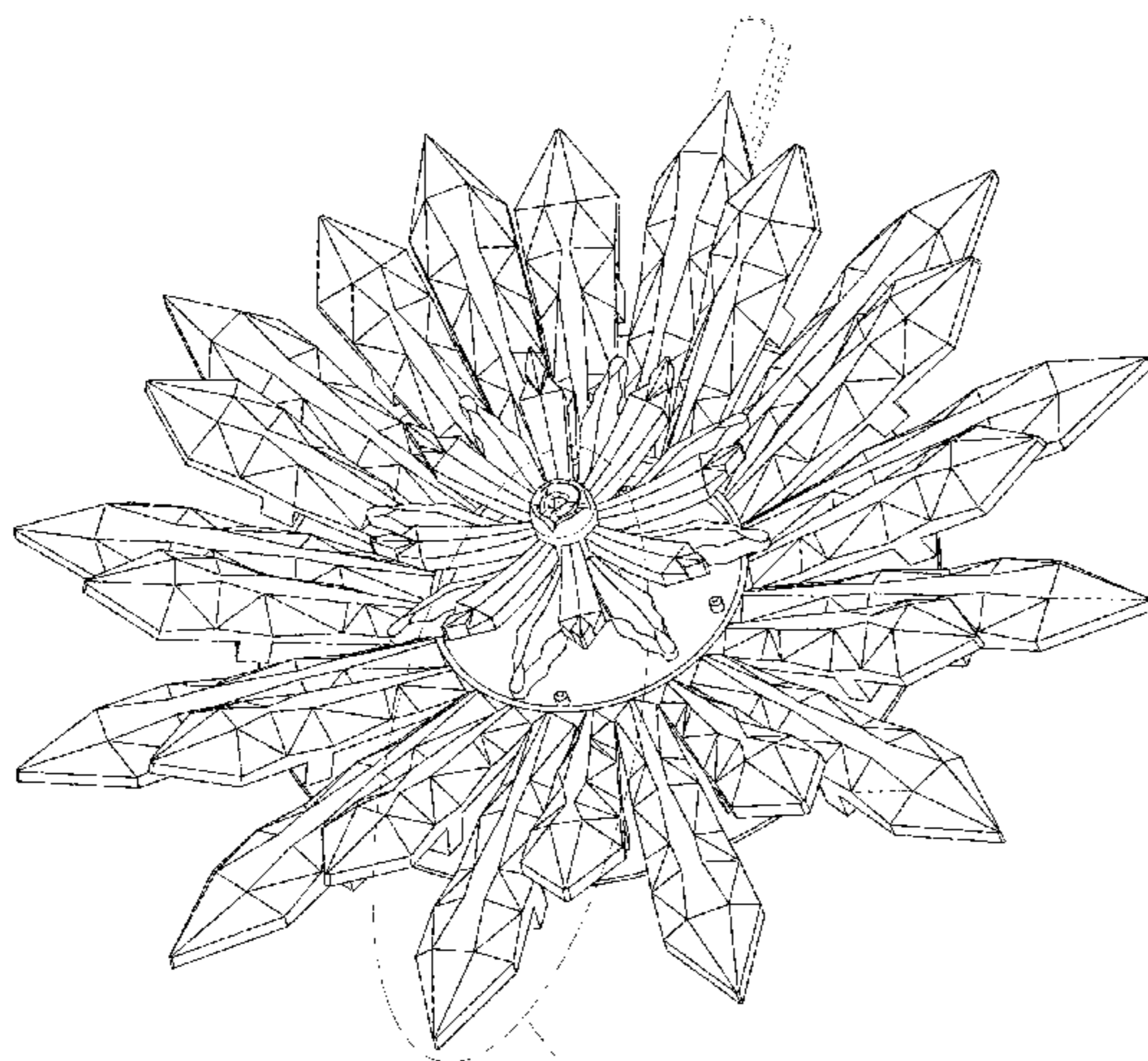


FIG. 9

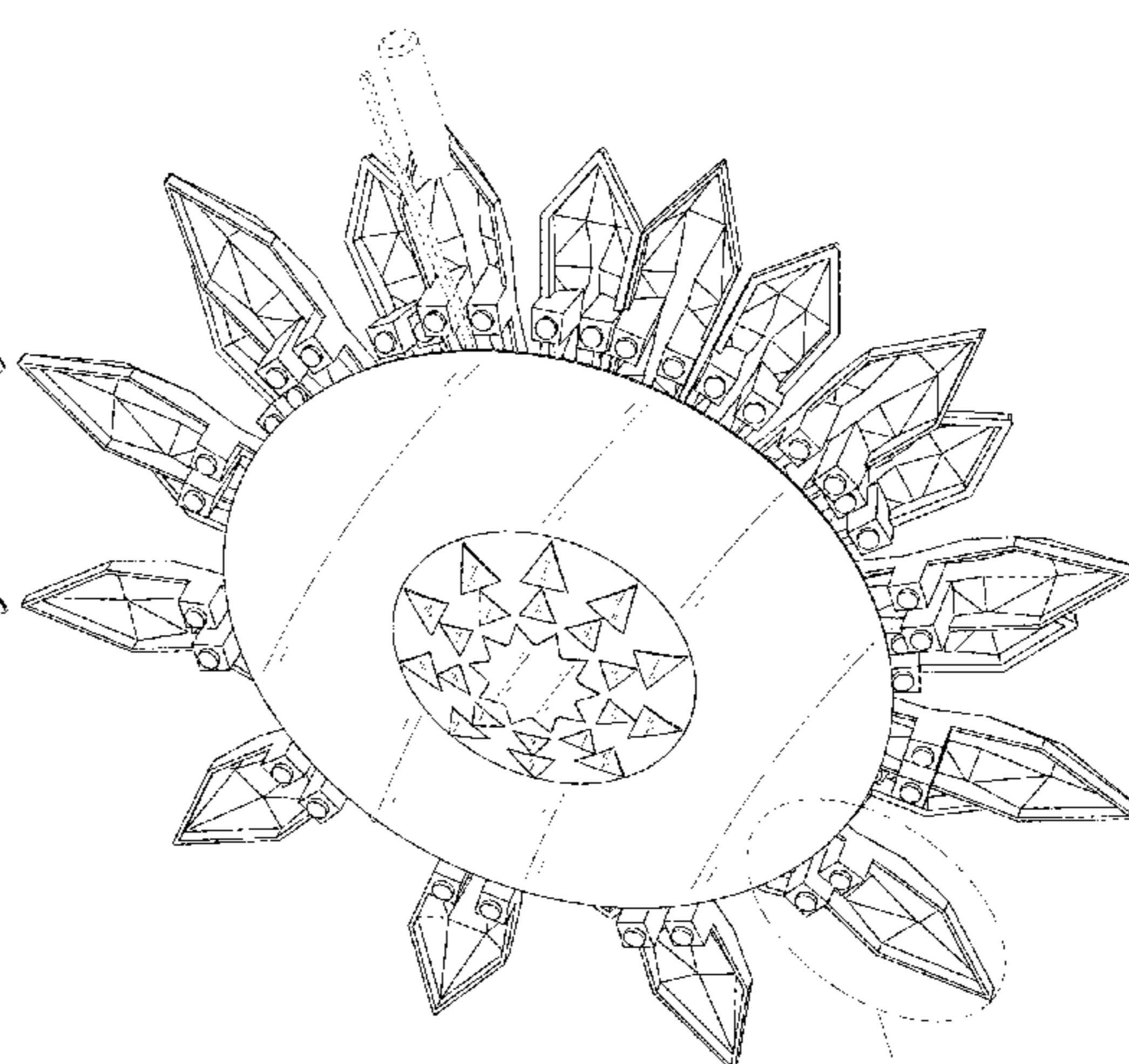


FIG. 10

(56)

**References Cited**

U.S. PATENT DOCUMENTS

D435,232	S	*	12/2000	Yedlin	.....	D11/184
D445,065	S	*	7/2001	Cheng	.....	D11/184
D550,586	S	*	9/2007	Tsai	.....	D11/117
D600,159	S		9/2009	Tsai		
D600,380	S	*	9/2009	van der Lande	.....	D26/47
D623,982	S	*	9/2010	Hawker	.....	D11/121
D655,643	S	*	3/2012	Bardash, Jr.	.....	D11/125
D822,532	S	*	7/2018	Stern	.....	D11/40
D847,267	S	*	4/2019	Gold	.....	D21/405
D869,732	S		12/2019	Rye		
D873,472	S	*	1/2020	Chen	.....	D26/94
D899,965	S	*	10/2020	Zhou	.....	D11/125
D901,746	S	*	11/2020	Ji	.....	D26/94
D902,995	S	*	11/2020	Schaffer	.....	D19/91
D905,592	S	*	12/2020	York	.....	D11/121
D917,084	S	*	4/2021	Zhou	.....	D26/25
D922,071	S	*	6/2021	Jensen	.....	D3/302
2002/0080609	A1	*	6/2002	Ahroni	.....	F21S 4/20 362/249.14
2013/0335963	A1	*	12/2013	Chen	.....	F21V 33/0028 362/235

\* cited by examiner

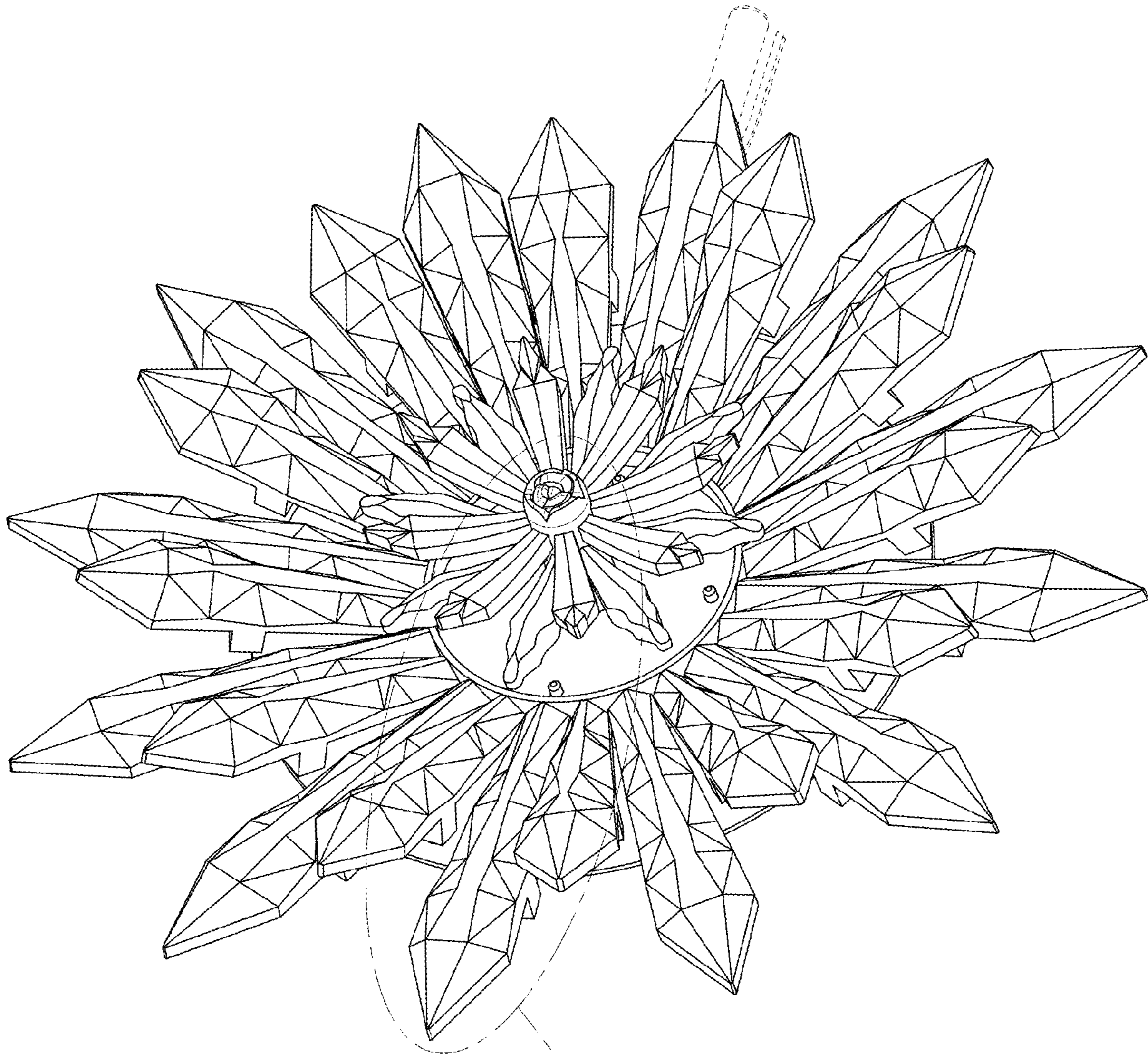


FIG. 9

FIG. 1

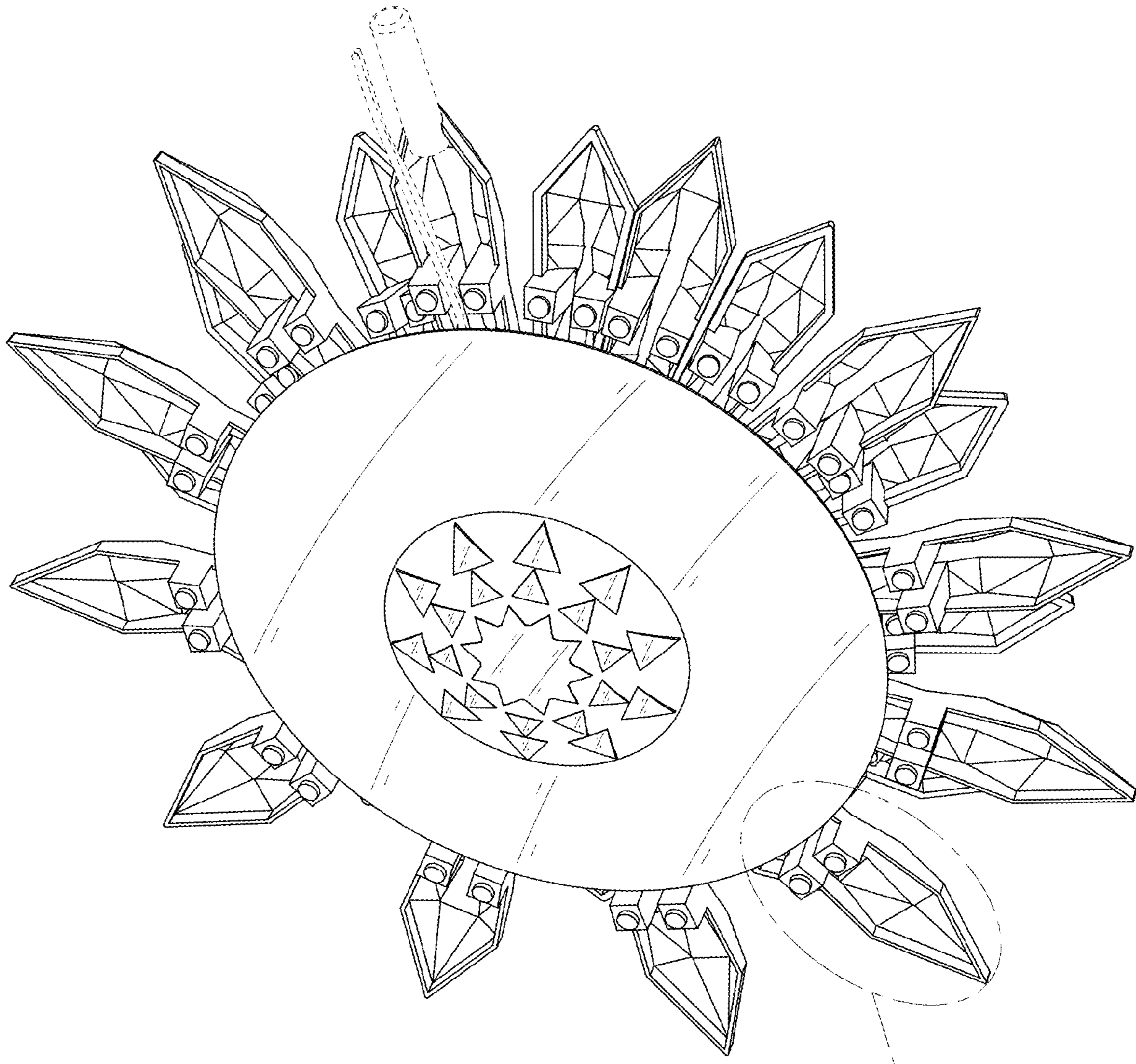


FIG. 10

FIG. 2

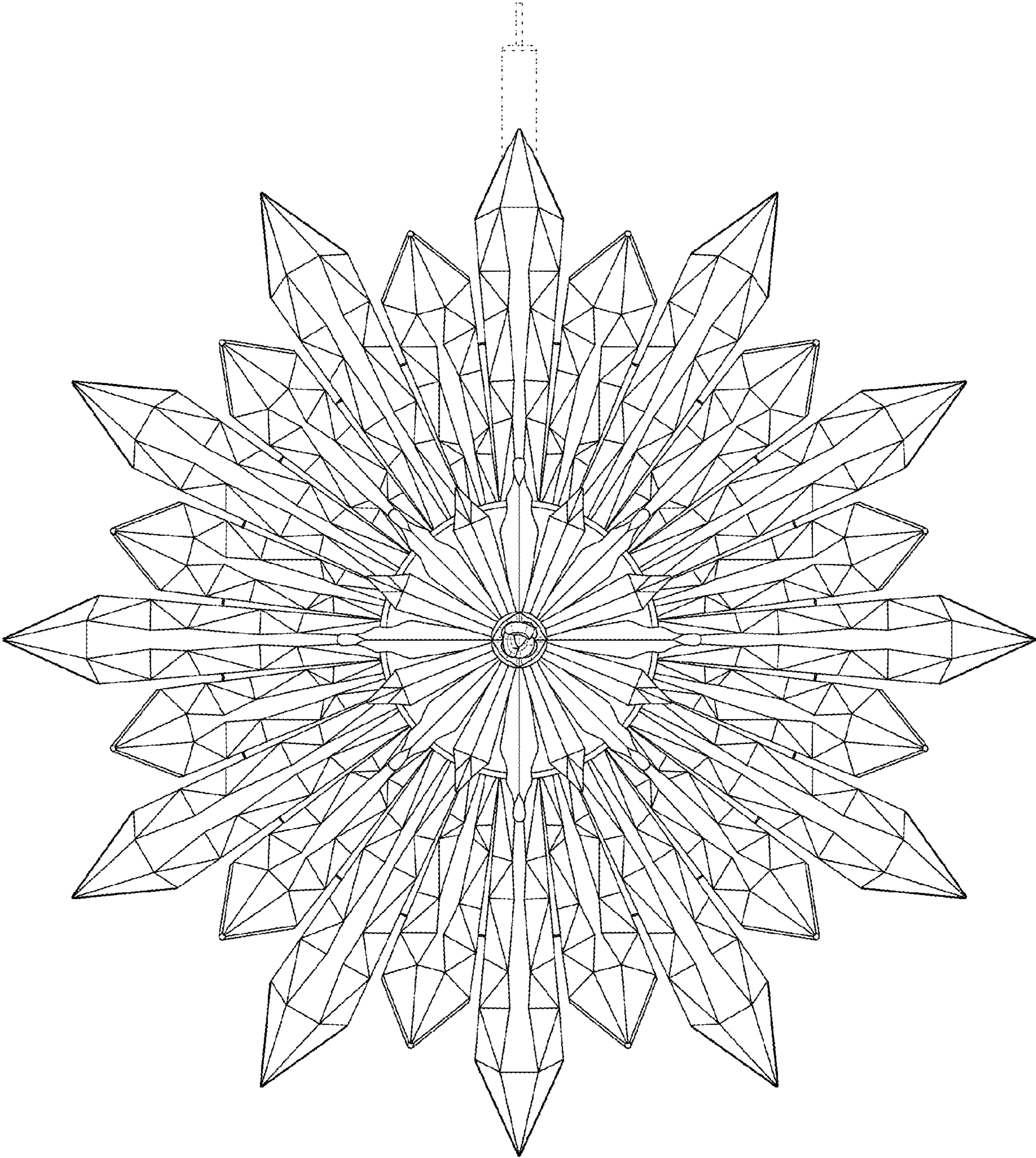


FIG. 3

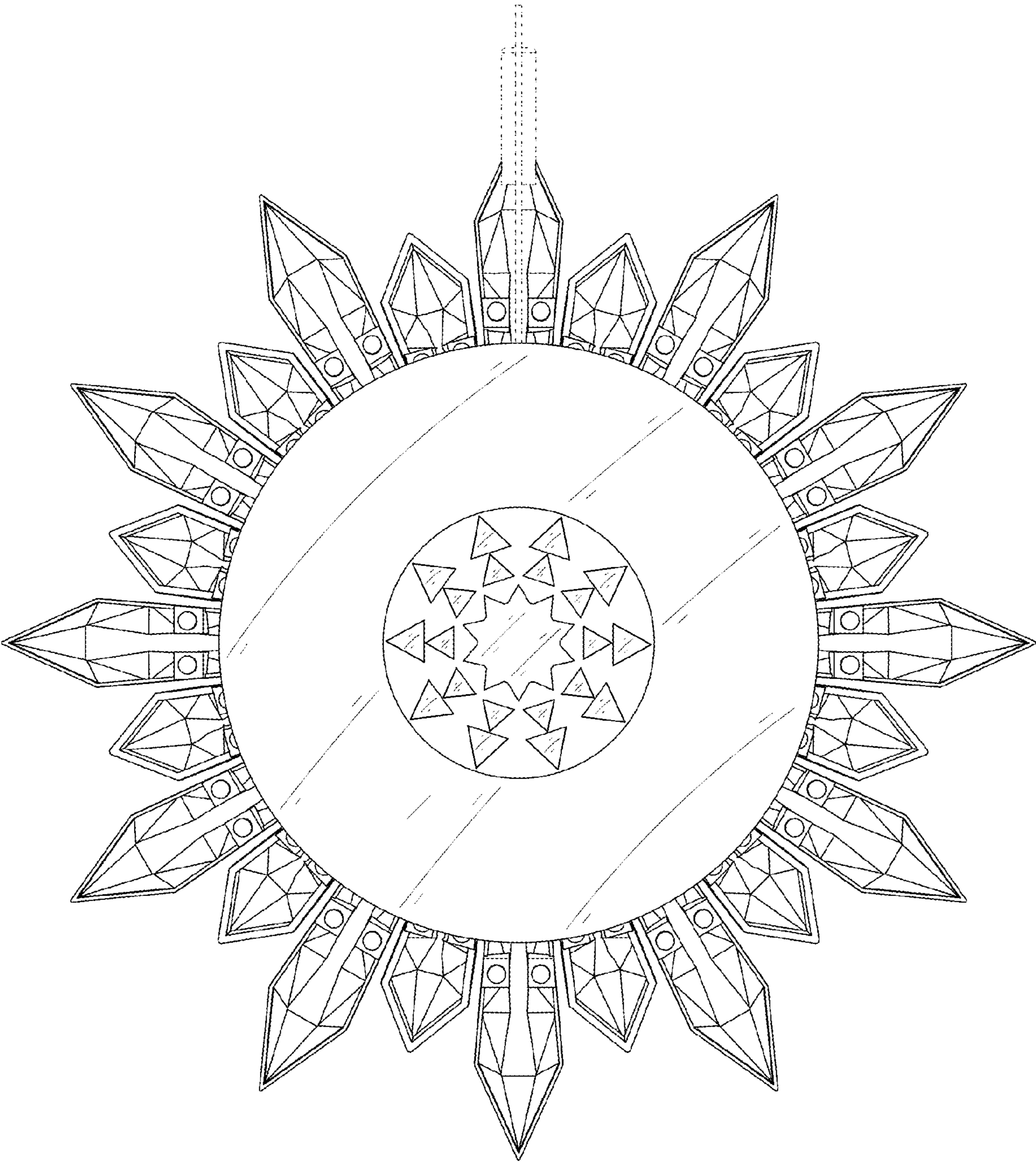


FIG. 4

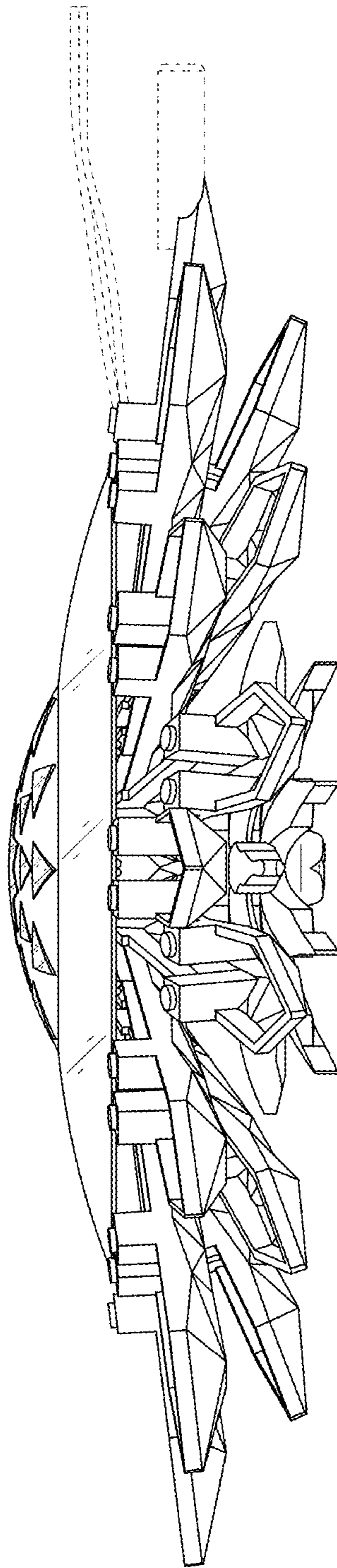


FIG. 5

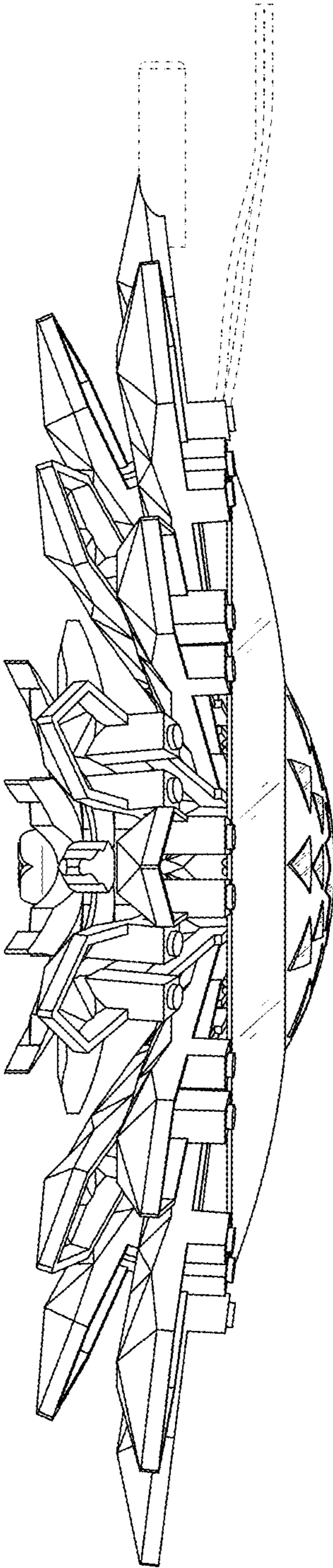


FIG. 6



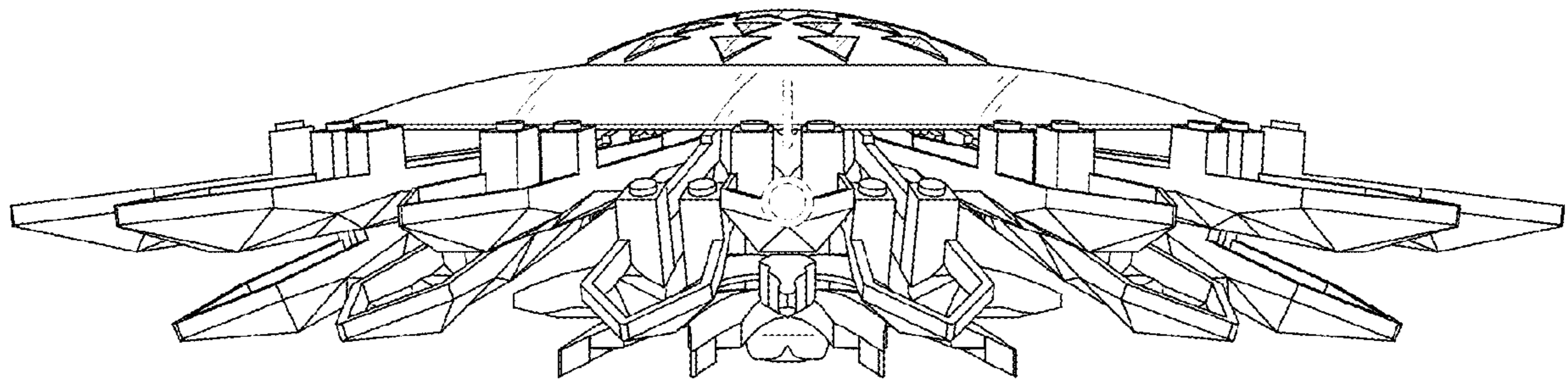


FIG. 7

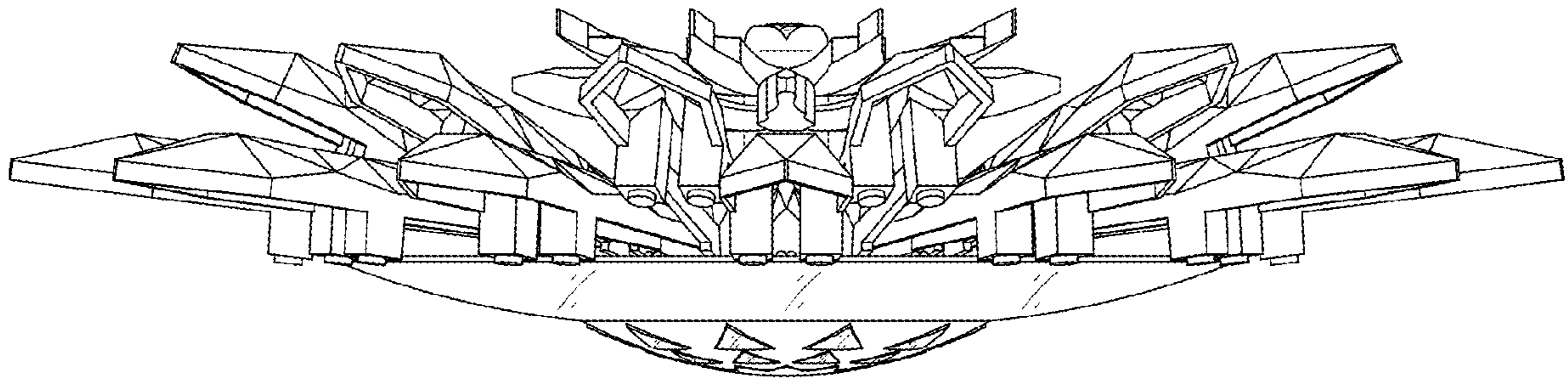


FIG. 8

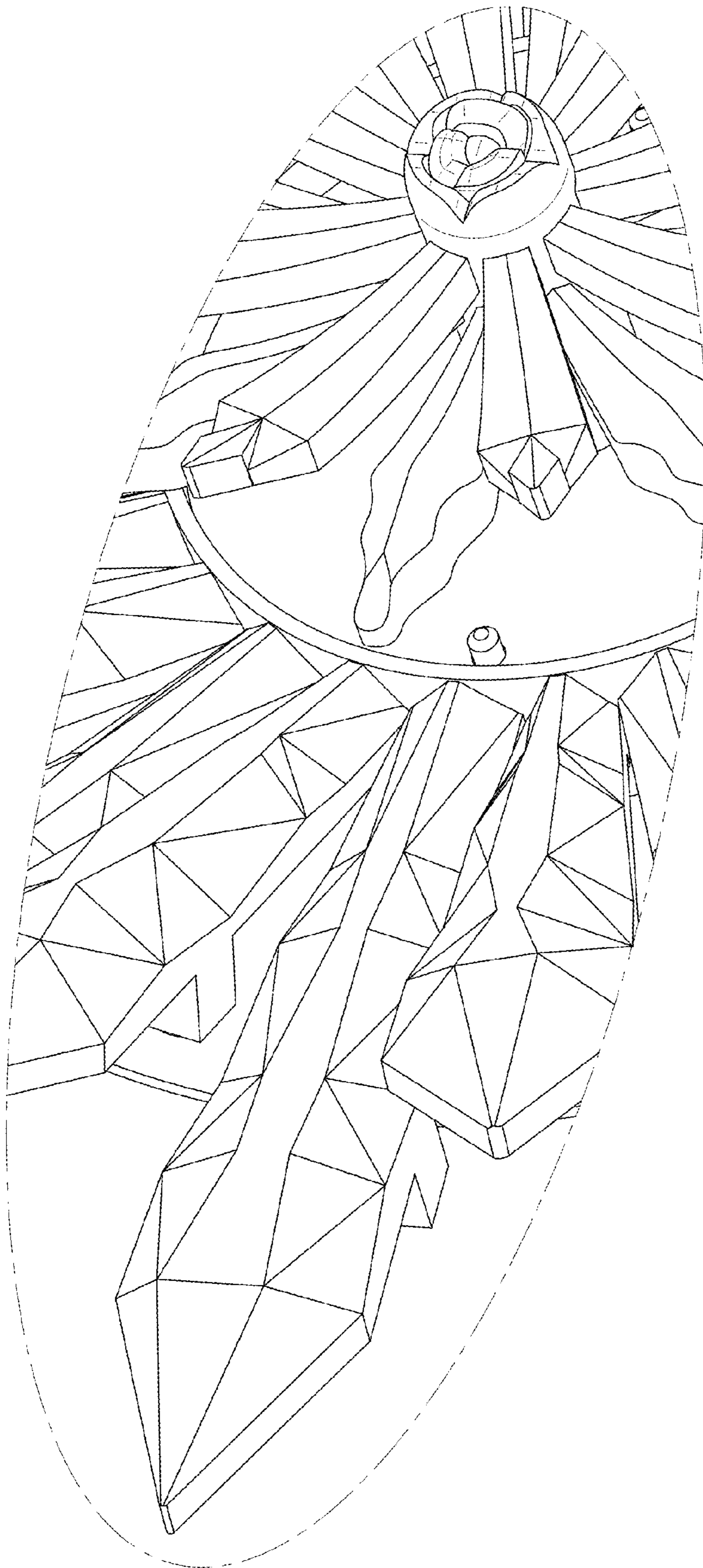


FIG. 9

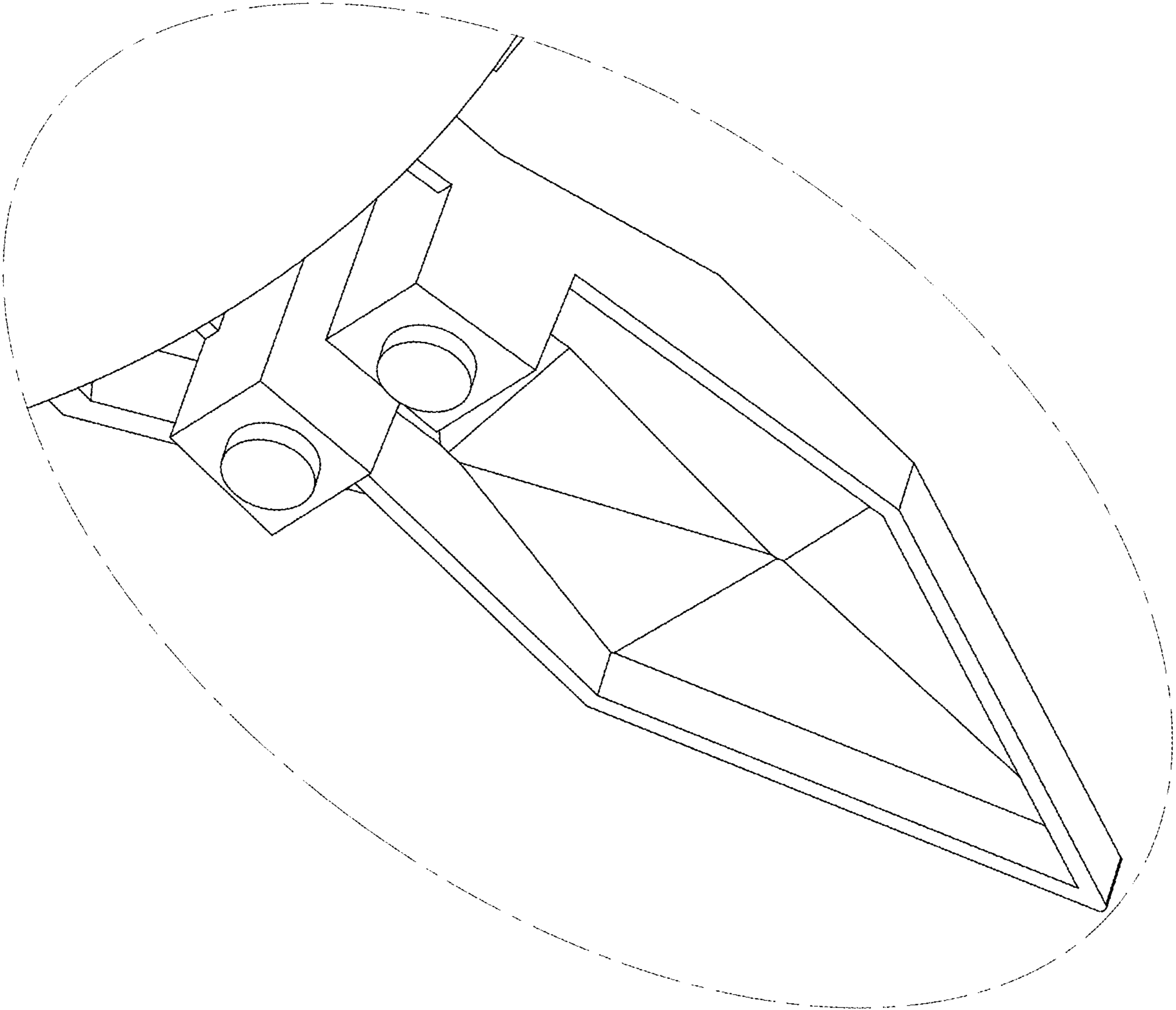


FIG. 10