



US00D958440S

(12) **United States Design Patent**
Chen

(10) **Patent No.:** **US D958,440 S**

(45) **Date of Patent:** **** Jul. 19, 2022**

(54) **PLANT LAMP**

(71) Applicant: **SHENZHEN BRIGHT STAR TECHNOLOGY CO., LTD**, Shenzhen (CN)

(72) Inventor: **Guohua Chen**, Shenzhen (CN)

(73) Assignee: **SHENZHEN BRIGHT STAR TECHNOLOGY CO., LTD**, Shenzhen (CN)

(**) Term: **15 Years**

(21) Appl. No.: **29/803,133**

(22) Filed: **Aug. 10, 2021**

(51) **LOC (13) Cl.** **26-05**

(52) **U.S. Cl.**
USPC **D26/93; D11/144**

(58) **Field of Classification Search**
USPC D26/24, 60, 63, 87, 93, 102, 104, 106, D26/107, 108, 110, 112; D11/143, 144, D11/145

CPC F21S 6/00; F21S 6/002; F21S 6/003; F21S 6/005; F21S 6/006; F21S 6/008; F21S 8/043; F21S 8/08; F21V 21/02

See application file for complete search history.

(56) **References Cited**

U.S. PATENT DOCUMENTS

D416,102 S *	11/1999	Schulman	D11/144
D586,688 S *	2/2009	Bromley	D11/144
D765,904 S	9/2016	Pouzet		
D773,109 S *	11/2016	Hu	D26/118
D795,489 S	8/2017	Pouzet		
D888,603 S *	6/2020	Tong	D11/144
D924,724 S *	7/2021	Li	D11/155
D932,346 S *	10/2021	Song	D11/156
D943,133 S *	2/2022	Chen	D26/61

D945,921 S *	3/2022	Chang	D11/144
D951,131 S *	5/2022	Qu	D11/144
D951,135 S *	5/2022	Lin	D11/155
2019/0301690 A1 *	10/2019	Schulz	F21S 6/002

FOREIGN PATENT DOCUMENTS

CN	207476544 U *	6/2018
CN	214508637 U *	10/2021

OTHER PUBLICATIONS

AeroGarden Harvest Elite—Indoor Garden, <https://www.amazon.com/dp/B07CKVMXHR/?th=1>, AeroGarden, retrieved Jun. 1, 2022 (Year: 2019).*

* cited by examiner

Primary Examiner — Richard Kearney
Assistant Examiner — Benjamin M Weeks

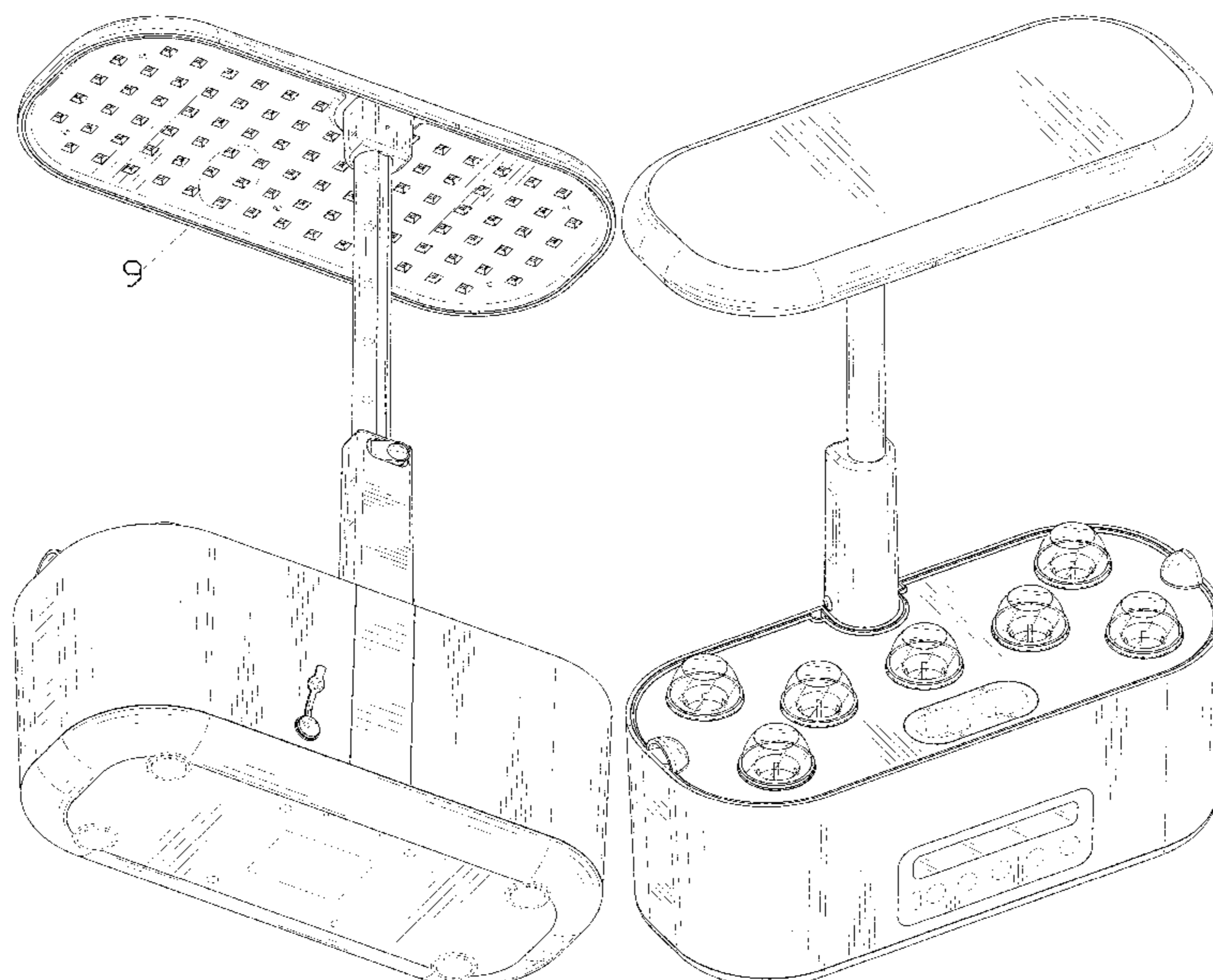
(57) **CLAIM**

The ornamental design for a plant lamp, as shown and described.

DESCRIPTION

FIG. 1 is a perspective view of a plant lamp showing my new design;
FIG. 2 is another perspective view thereof;
FIG. 3 is a front elevational view thereof;
FIG. 4 is a rear elevational view thereof;
FIG. 5 is a left side elevational view thereof;
FIG. 6 is a right side elevational view thereof;
FIG. 7 is a top plan view thereof;
FIG. 8 is a bottom plan view thereof; and,
FIG. 9 is an enlarged view of portion 9 shown in FIG. 1.
The dash-dash broken lines in the drawings depict portions of the plant lamp that form no part of the claimed design. The dot-dash broken lines represent boundaries of the enlarged portion and form no part of the claimed design.

1 Claim, 9 Drawing Sheets



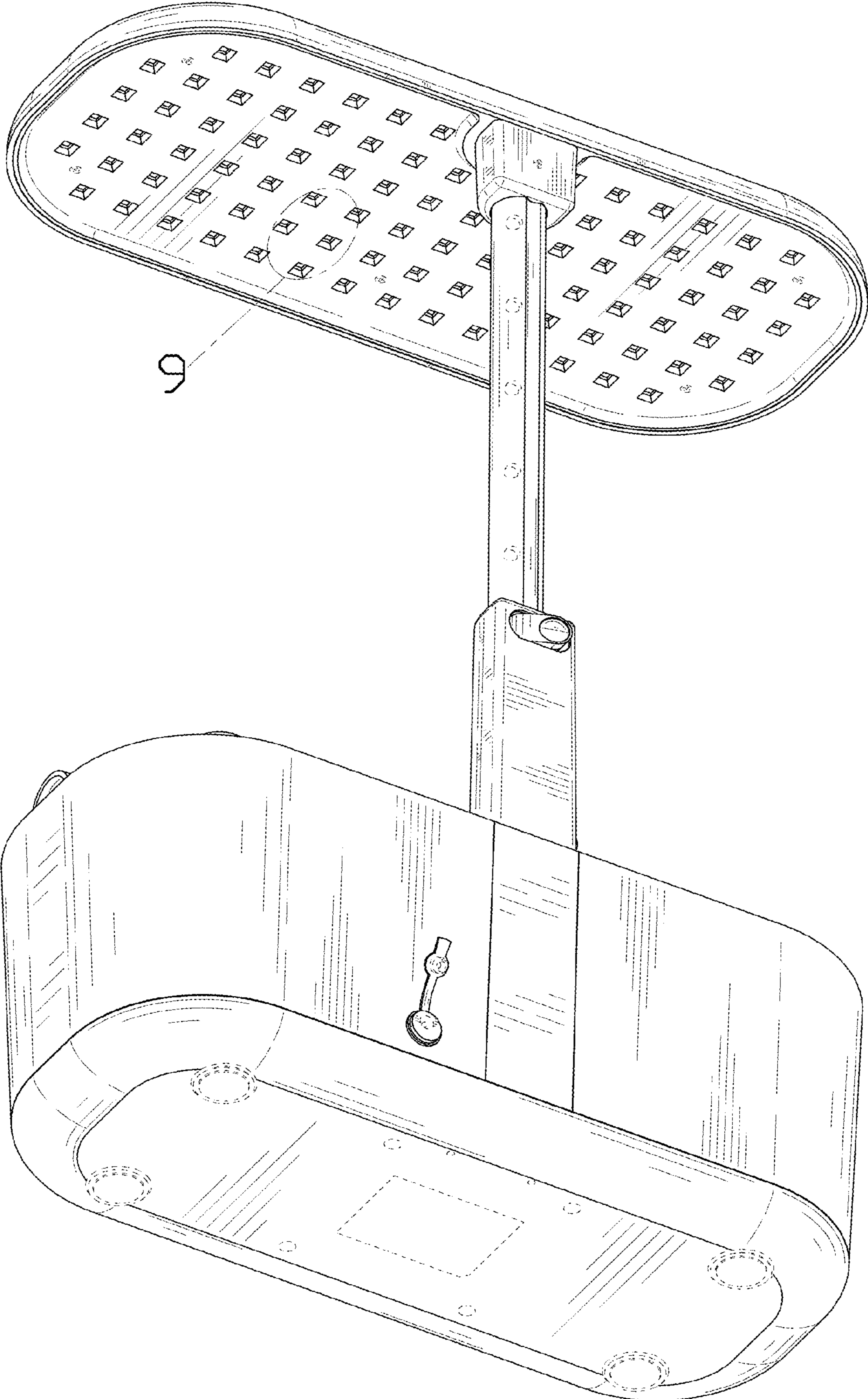


FIG. 1

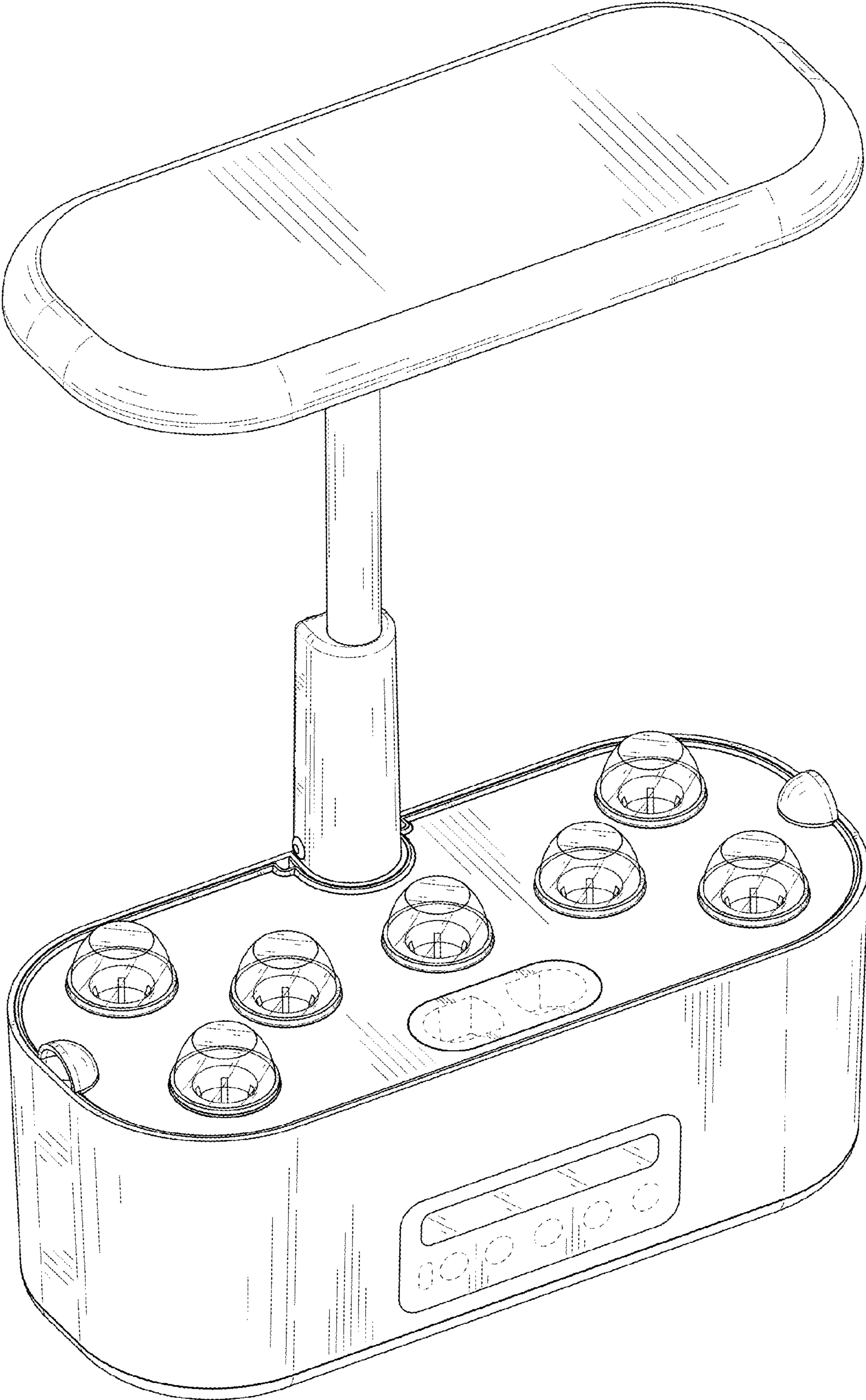


FIG. 2

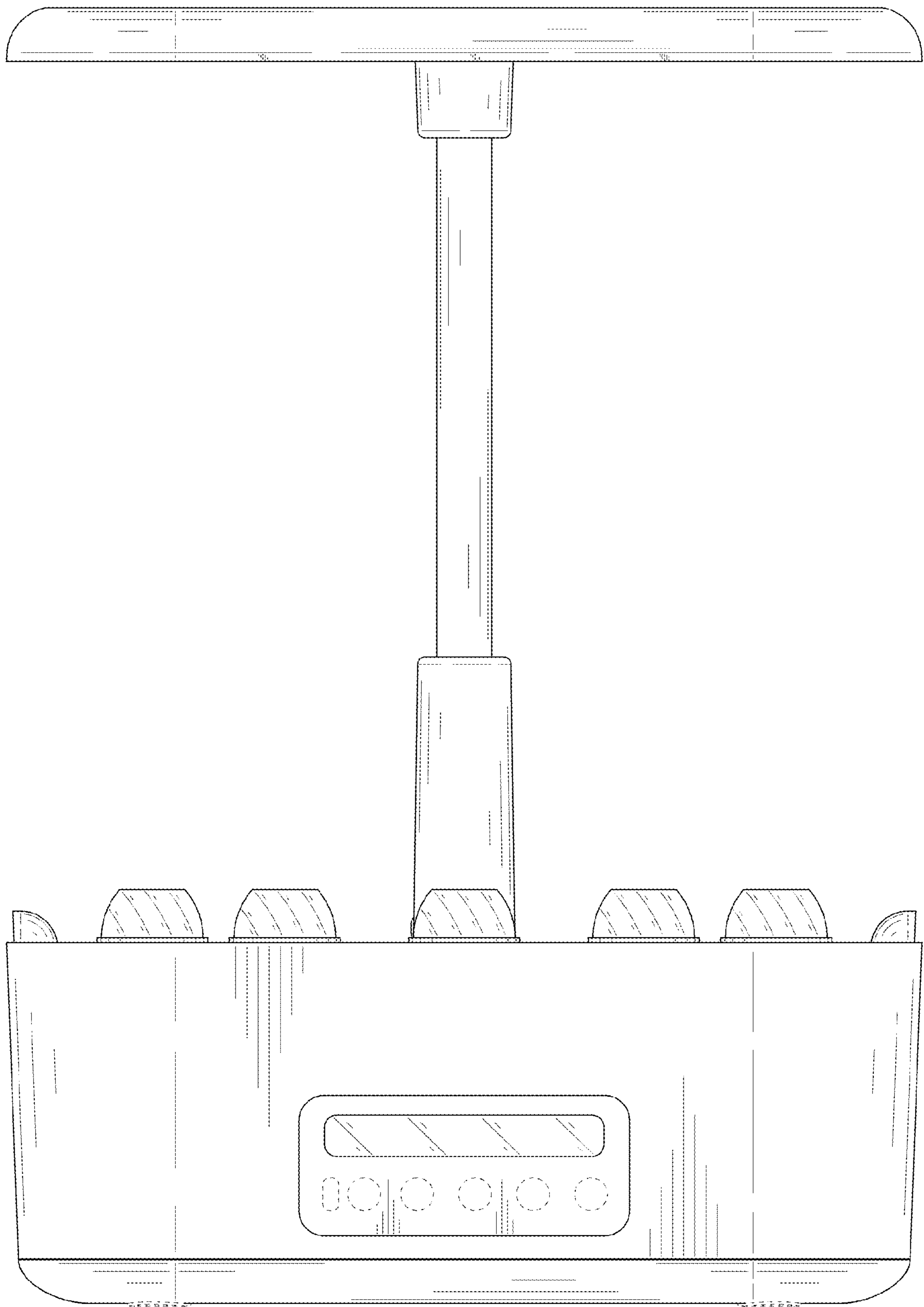


FIG. 3

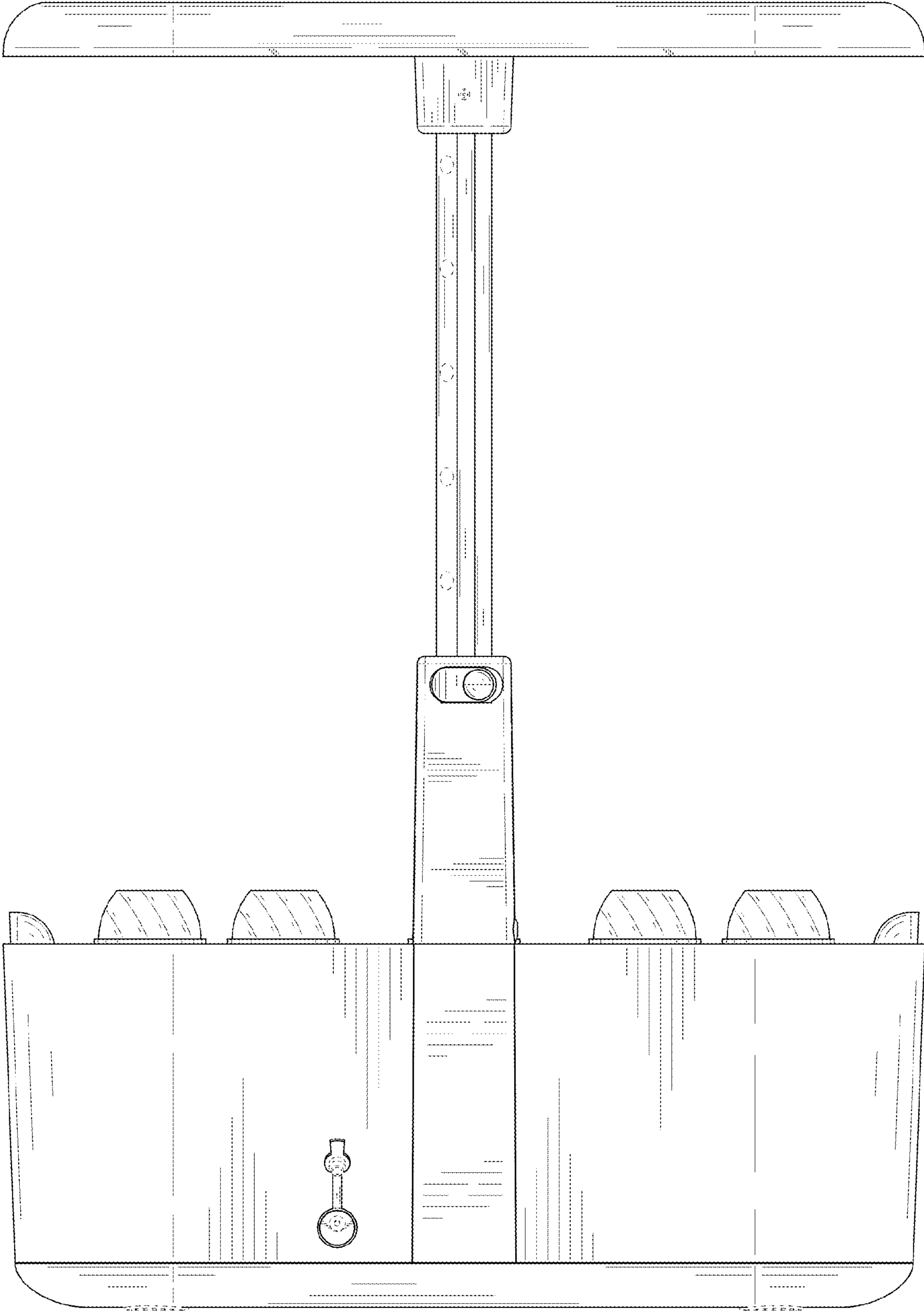


FIG. 4

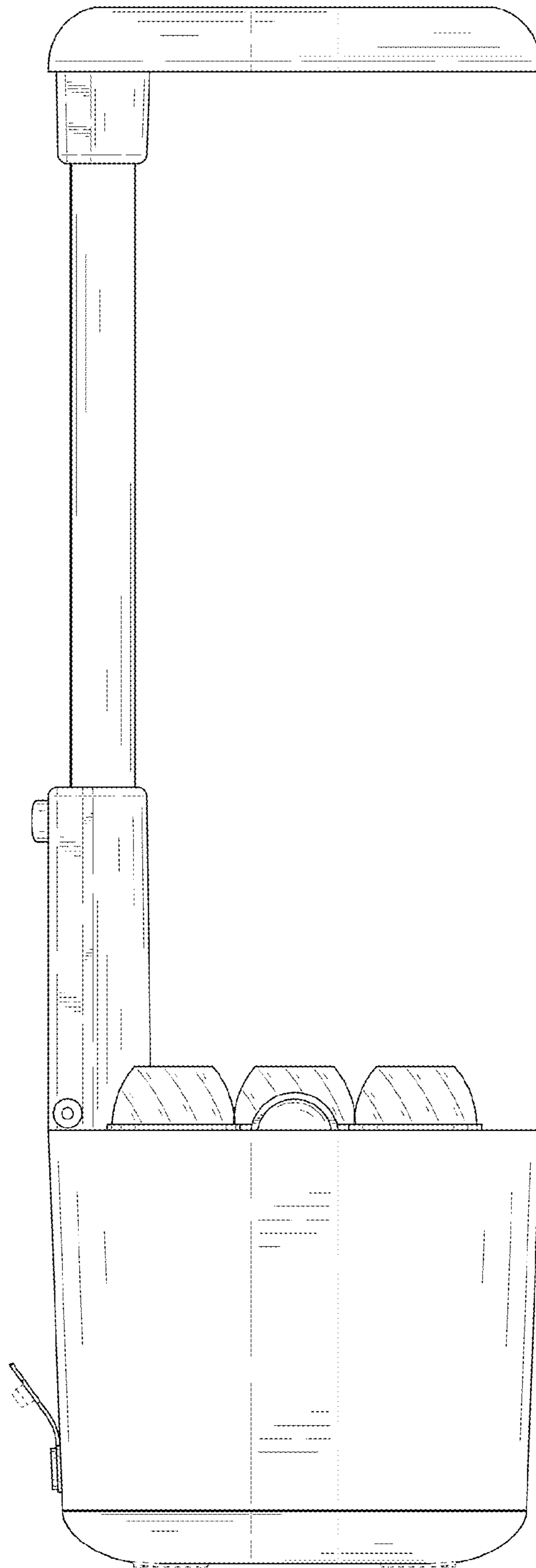


FIG. 5

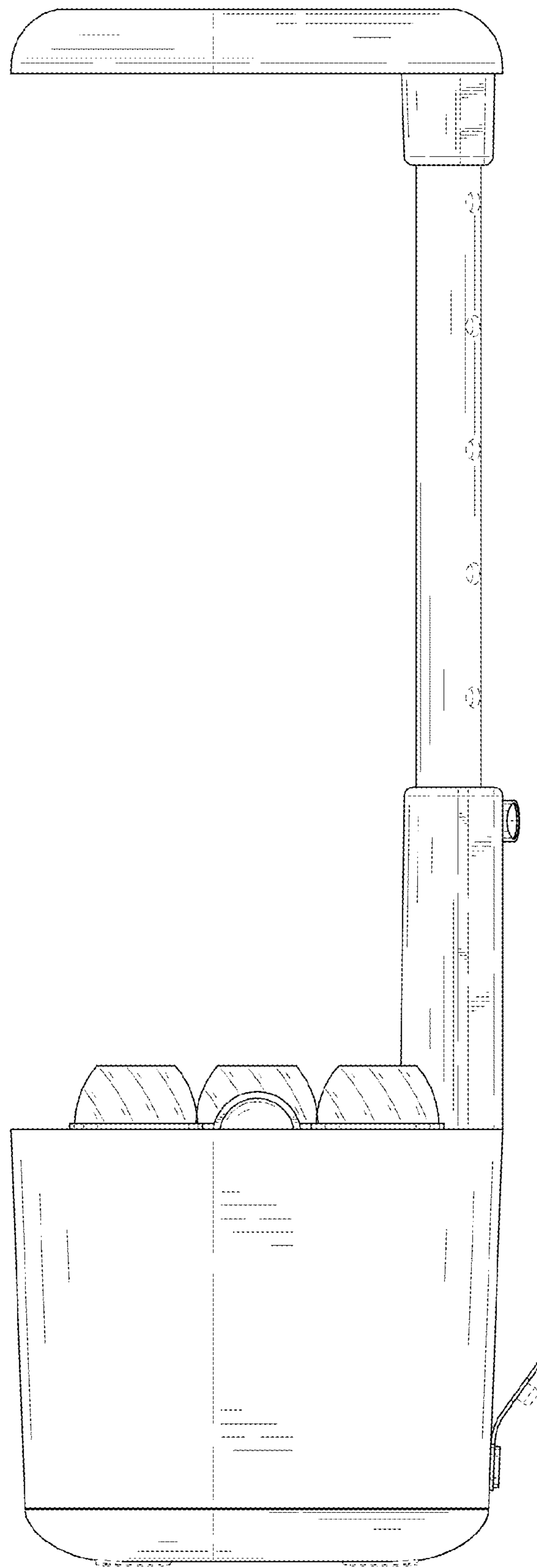


FIG. 6

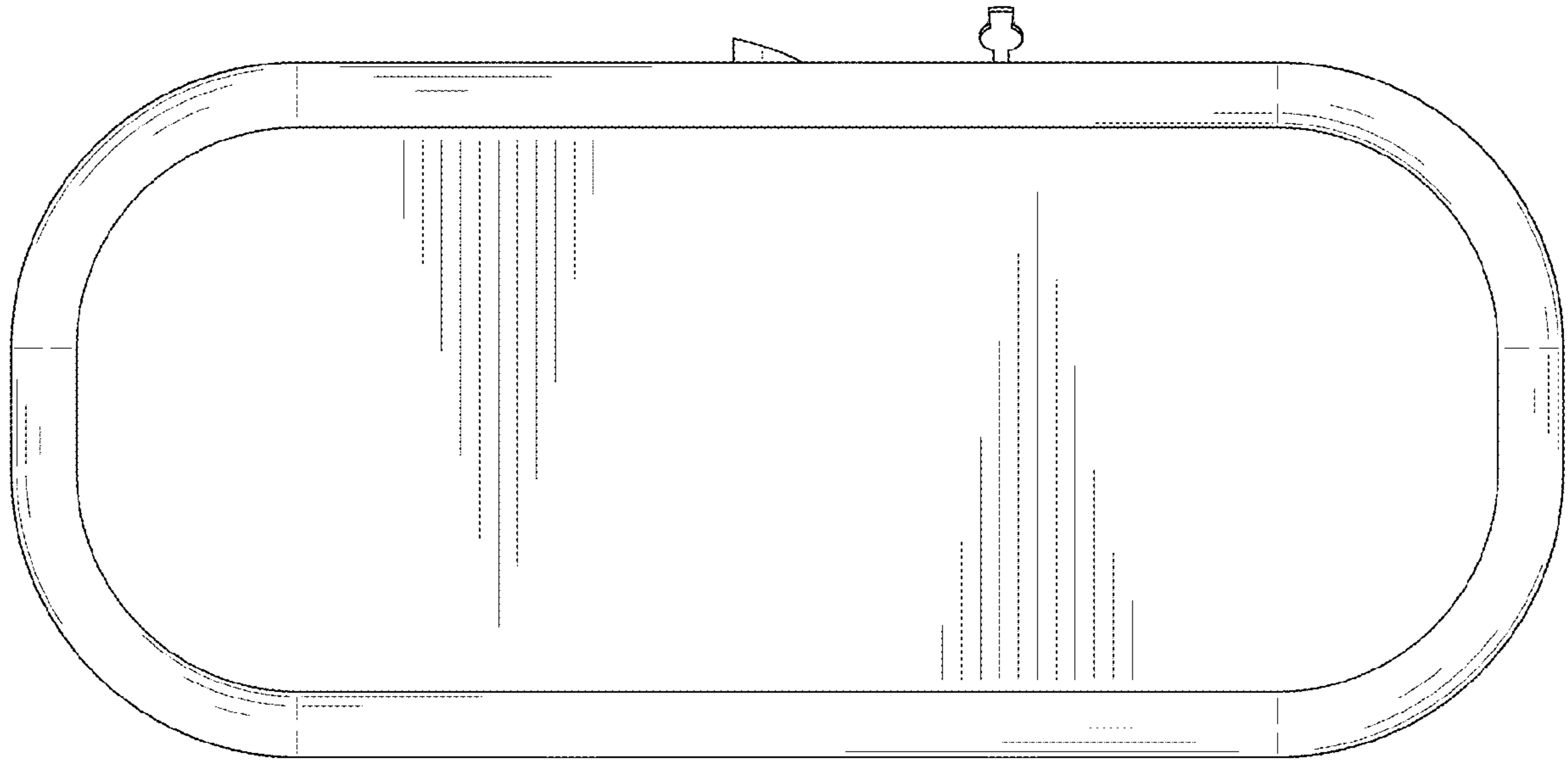


FIG. 7

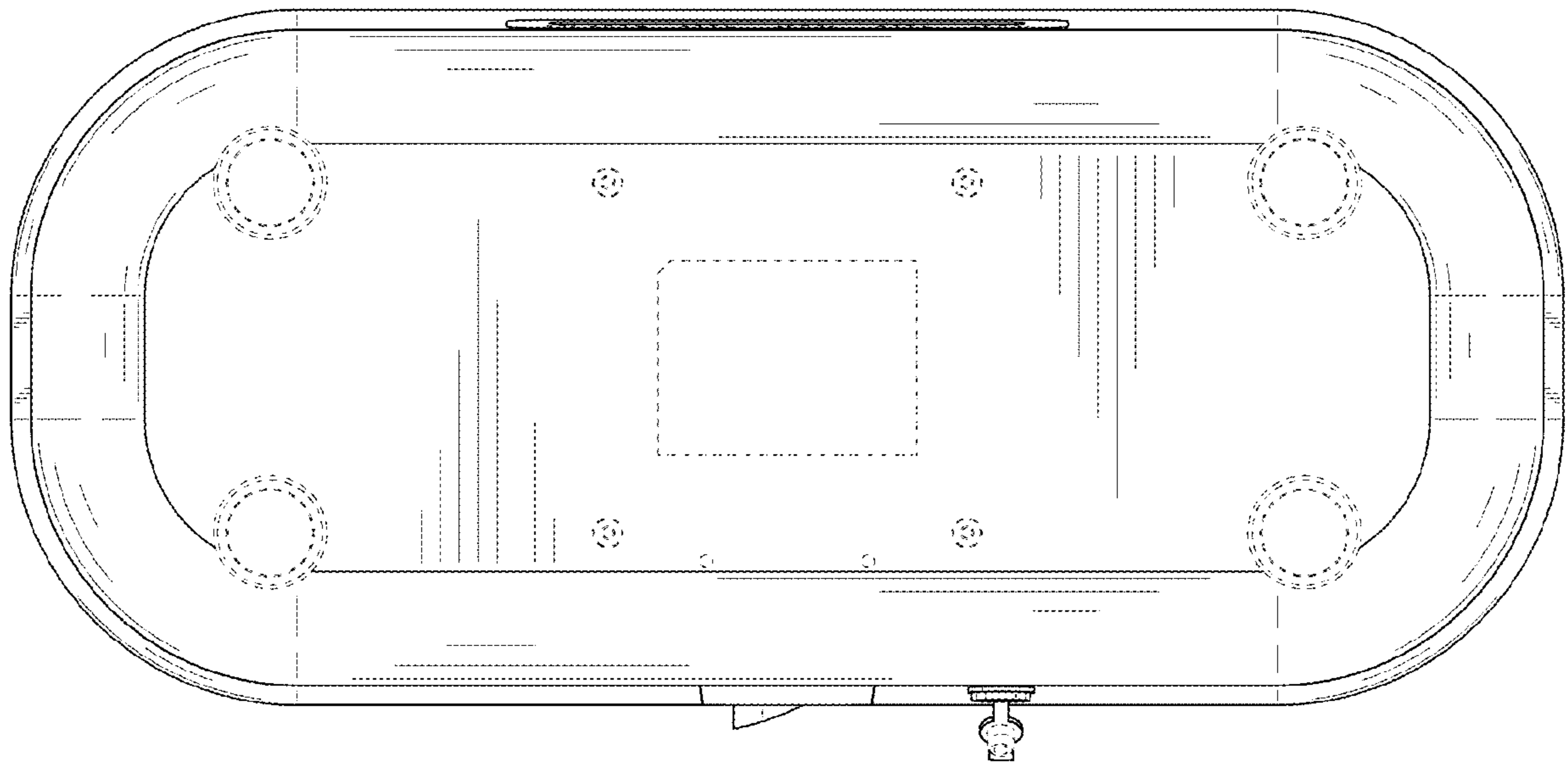


FIG. 8

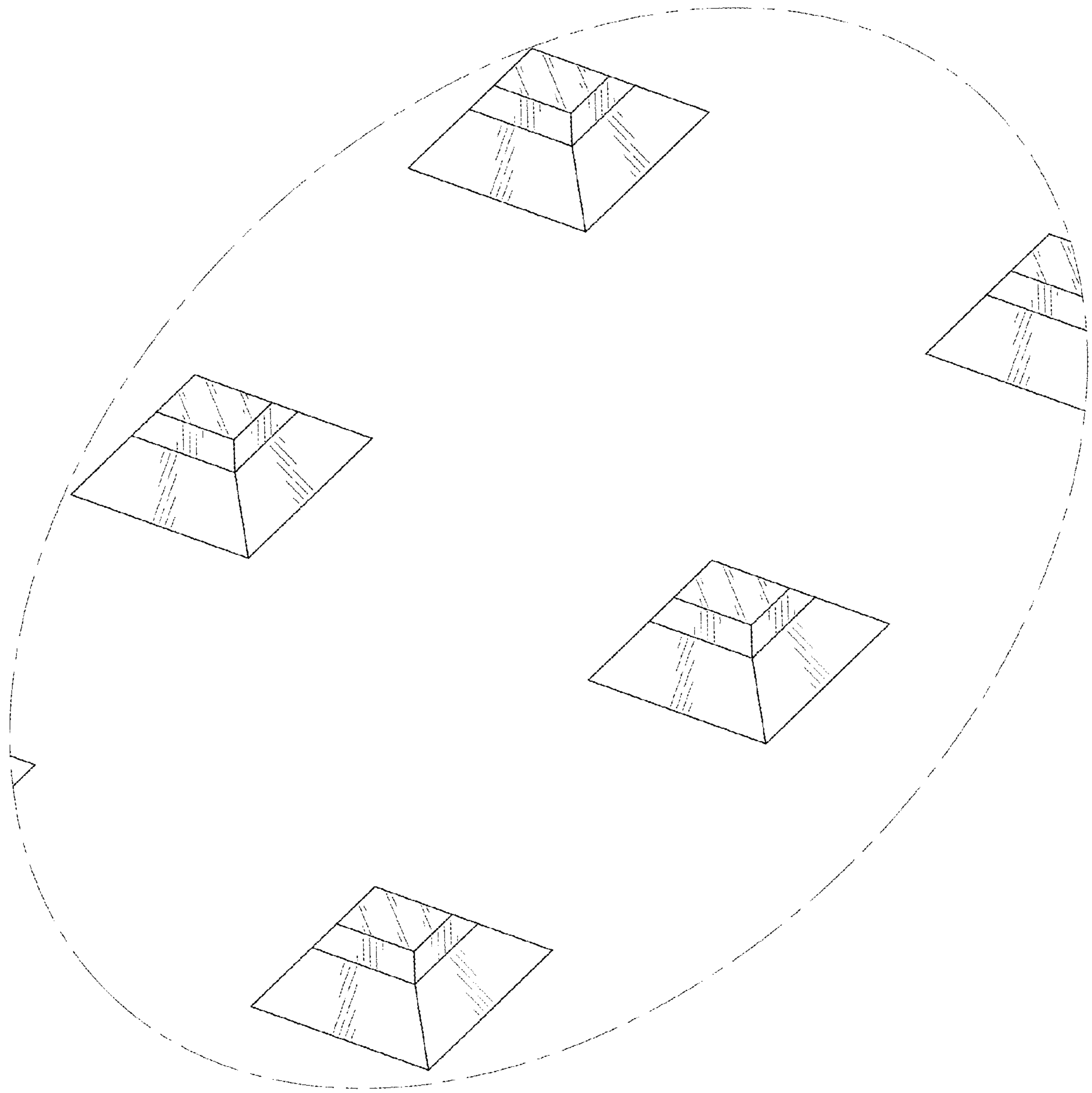


FIG. 9