



US00D958439S

(12) **United States Design Patent**
Huang

(10) **Patent No.:** **US D958,439 S**

(45) **Date of Patent:** **** Jul. 19, 2022**

(54) **LAMP**

(71) Applicant: **Jie Huang**, Meizhou (CN)

(72) Inventor: **Jie Huang**, Meizhou (CN)

(**) Term: **15 Years**

(21) Appl. No.: **29/781,279**

(22) Filed: **Apr. 29, 2021**

(51) **LOC (13) Cl.** **26-03**

(52) **U.S. Cl.**
USPC **D26/88; D26/142**

(58) **Field of Classification Search**
USPC D26/72, 73, 80-86, 88, 90, 91, 118, 142
CPC F21S 8/04; F21S 8/043; F21S 8/046; F21S
8/06; F21S 8/061; F21S 8/063; F21S
8/065

See application file for complete search history.

(56) **References Cited**

U.S. PATENT DOCUMENTS

D391,011 S *	2/1998	Kluck	D26/142
D461,582 S	8/2002	Hsu		
D539,965 S	4/2007	Hsu		
D587,842 S *	3/2009	Rhodes	D26/90
D596,332 S *	7/2009	Diller	D26/88
D705,475 S *	5/2014	Kitts	D26/88
D720,491 S *	12/2014	Anastasiades	D26/88
D794,861 S *	8/2017	Goorsenberg	D26/88
D807,563 S *	1/2018	Amato	D26/88
D809,185 S *	1/2018	Paz	D26/90
D820,501 S *	6/2018	Amato	D26/88
10,161,601 B1 *	12/2018	Chen	F21S 6/00
2017/0038035 A1 *	2/2017	Liu	F21S 8/063

OTHER PUBLICATIONS

'Antique Fishing Floats' posted on Feb. 24, 2012 by LookingAtGlass. <<https://lookingatglass.wordpress.com/2012/02/24/antique-fishing/>> (Year: 2012).*

Coastal Cottage Rope Globe Pendant, SKU PE18061 CM. Available from shadesoflight.com as early as Nov. 21, 2021. (Year: 2021).*

Fisherman Pendant designed by Mattias Stahlbom from globallighting.com, visited Mar. 10, 2022. (Year: 2022).*

Hampton Nautical Orange Japanese Glass Ball Fishing Float, ASIN: B00YQ6A5RC. Available from amazon.com as early as Dec. 10, 2019. (Year: 2019).*

* cited by examiner

Primary Examiner — Clare E Heflin

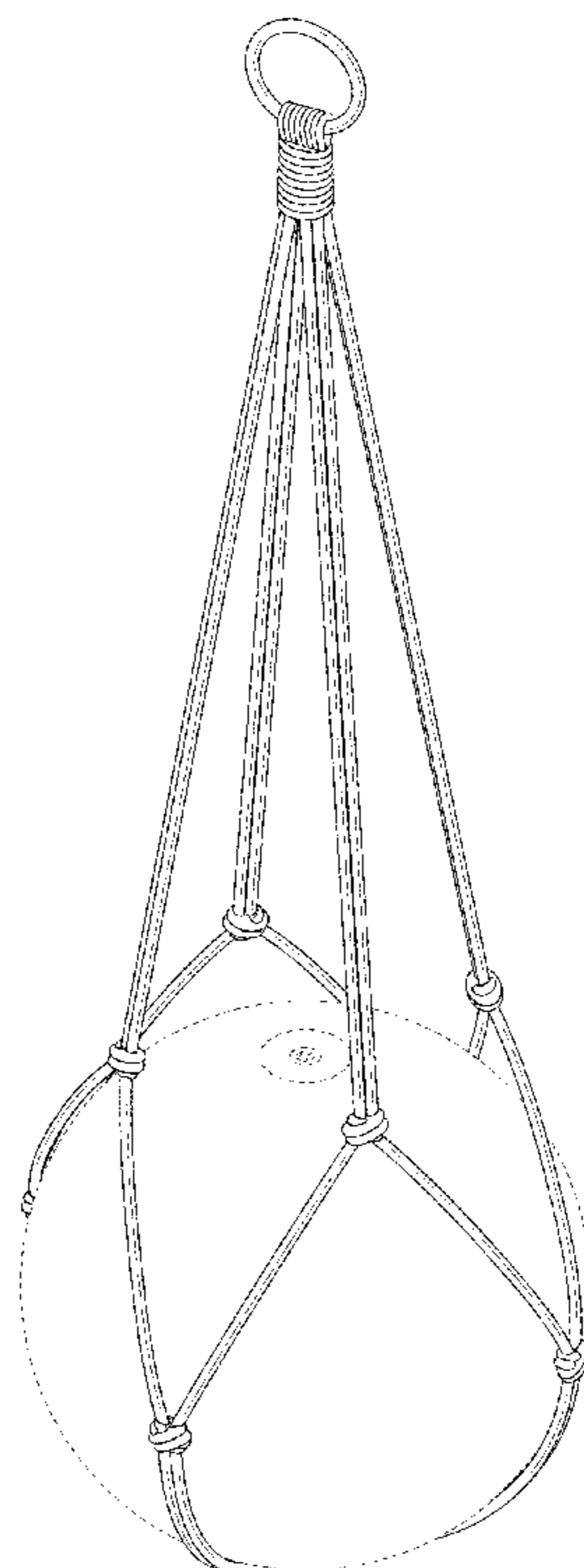
(57) **CLAIM**

The ornamental design for a lamp, as shown and described.

DESCRIPTION

FIG. 1 is a perspective view of a lamp showing my new design;
FIG. 2 is another perspective view thereof;
FIG. 3 is a front elevational view thereof;
FIG. 4 is a rear elevational view thereof;
FIG. 5 is a left side elevational view thereof;
FIG. 6 is a right side elevational view thereof;
FIG. 7 is a top plan view thereof;
FIG. 8 is a bottom plan view thereof; and,
FIG. 9 is an exploded perspective view of the lamp.
The broken lines in the drawings depict portions of the lamp that form no part of the claimed design.

1 Claim, 9 Drawing Sheets



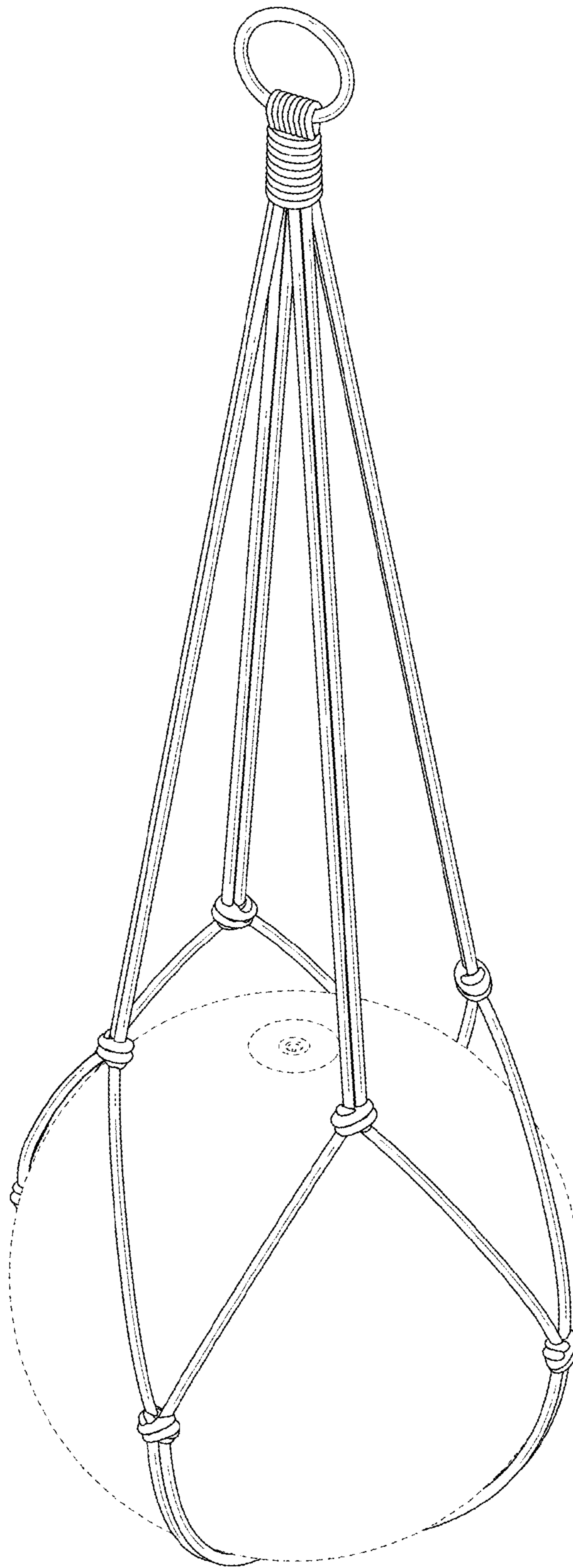


FIG. 1

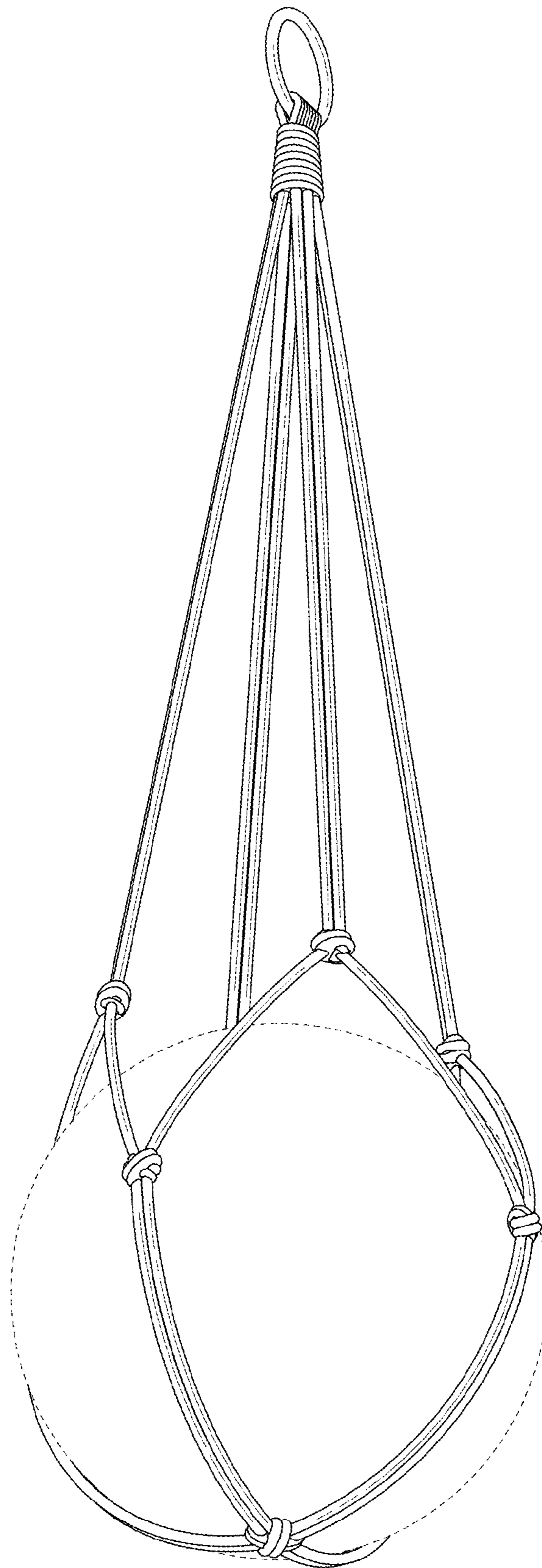


FIG. 2

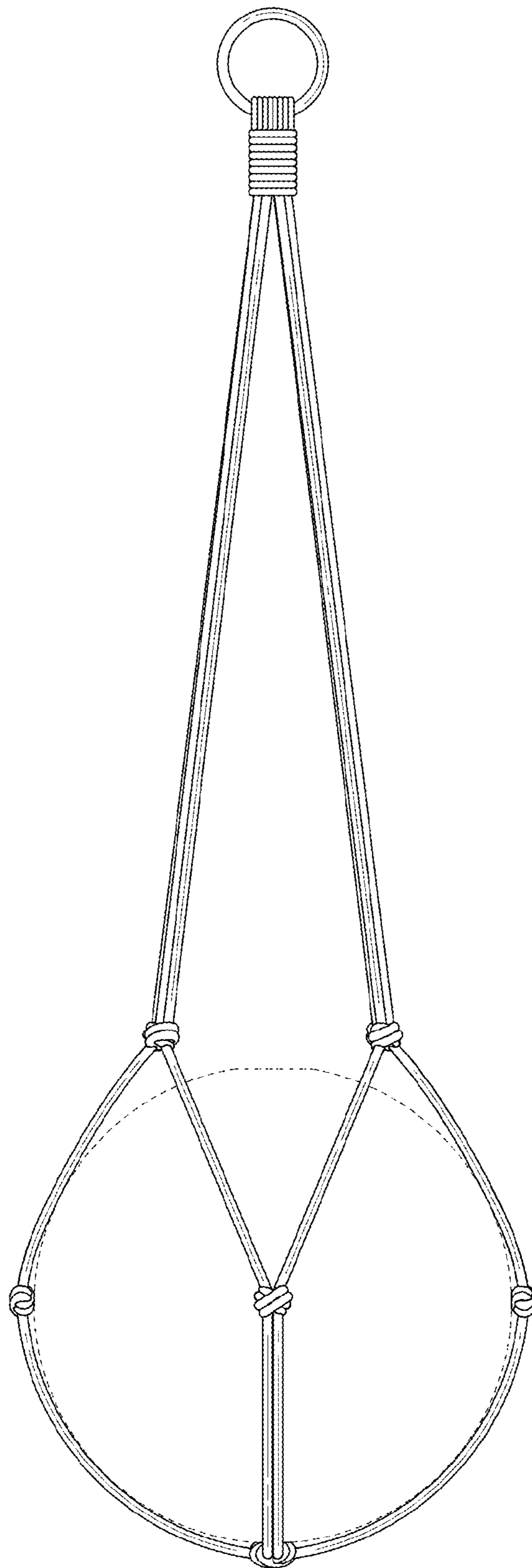


FIG. 3

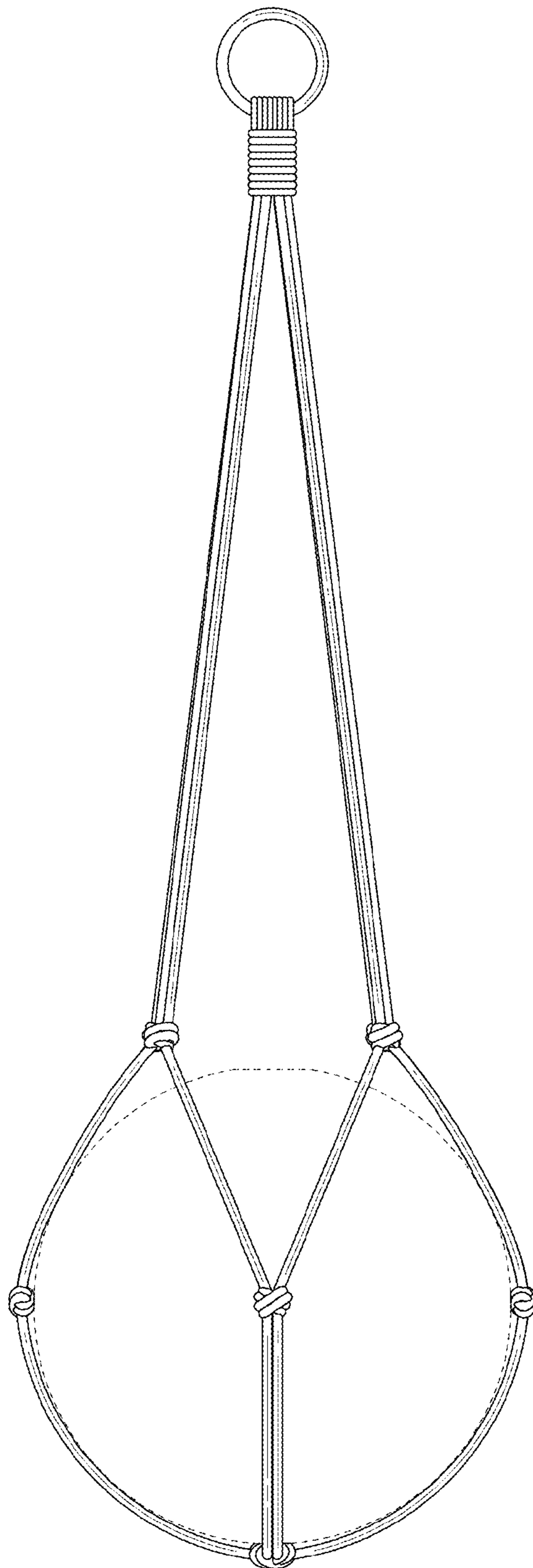


FIG. 4

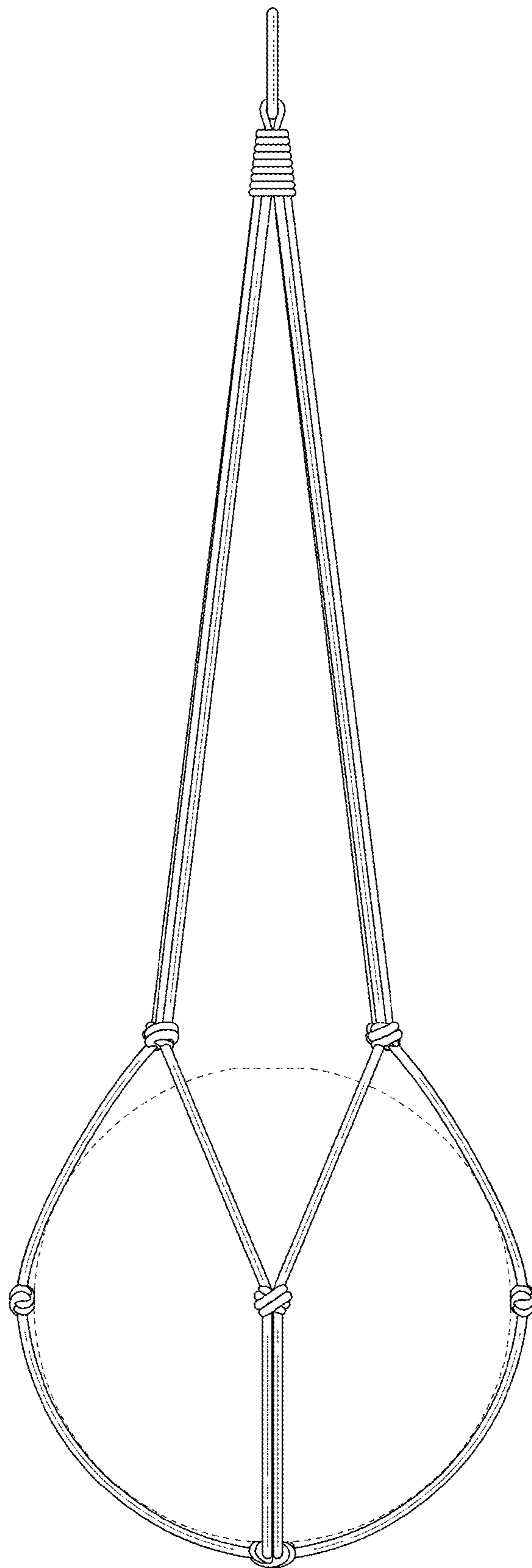


FIG. 5

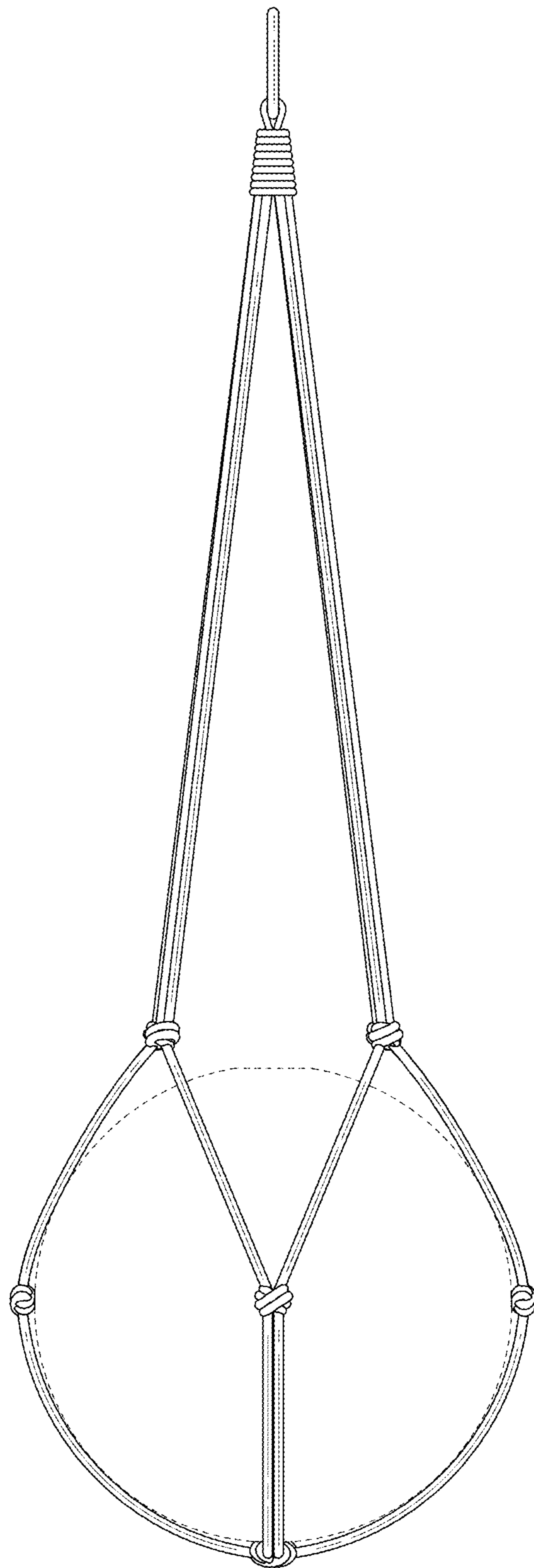


FIG. 6

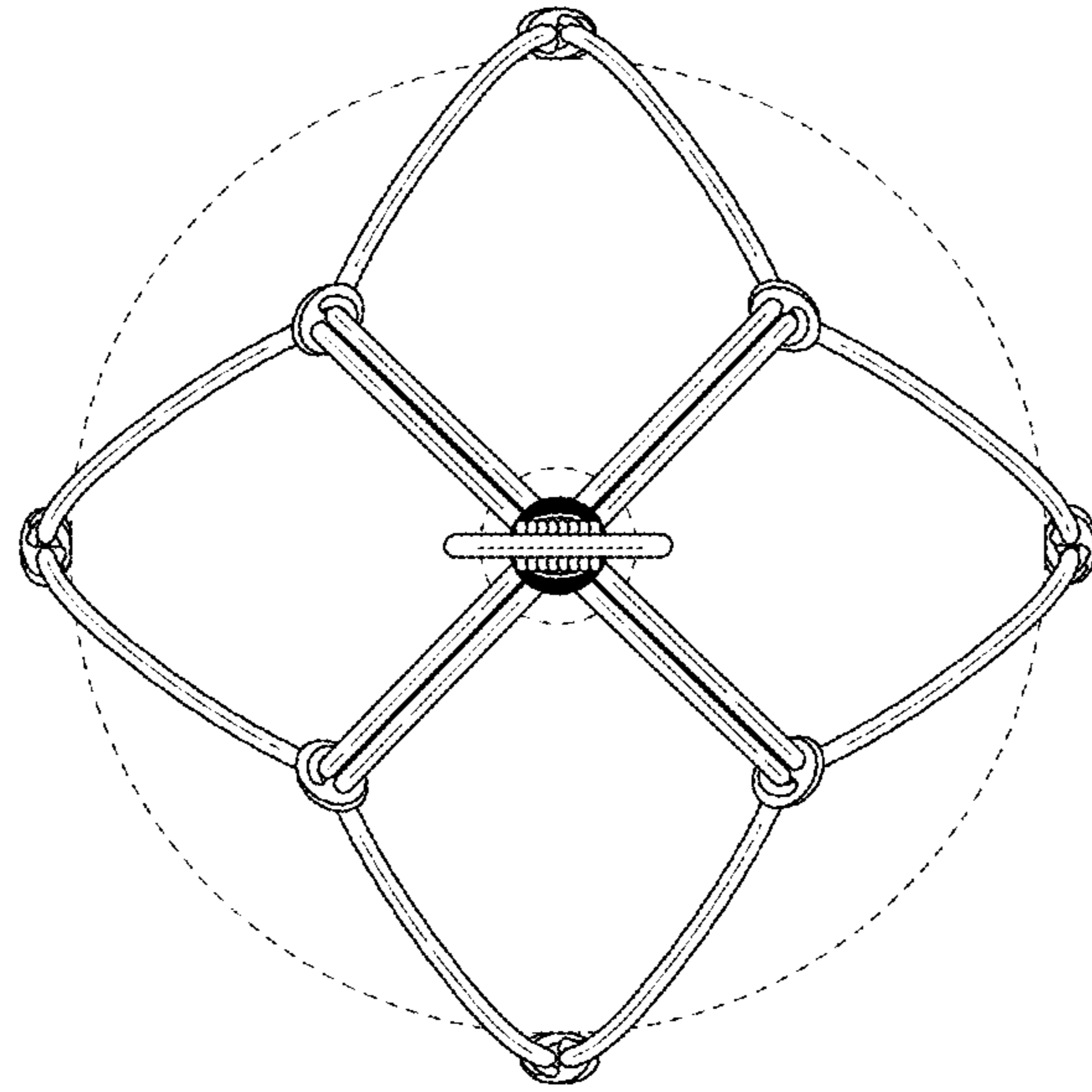


FIG. 7

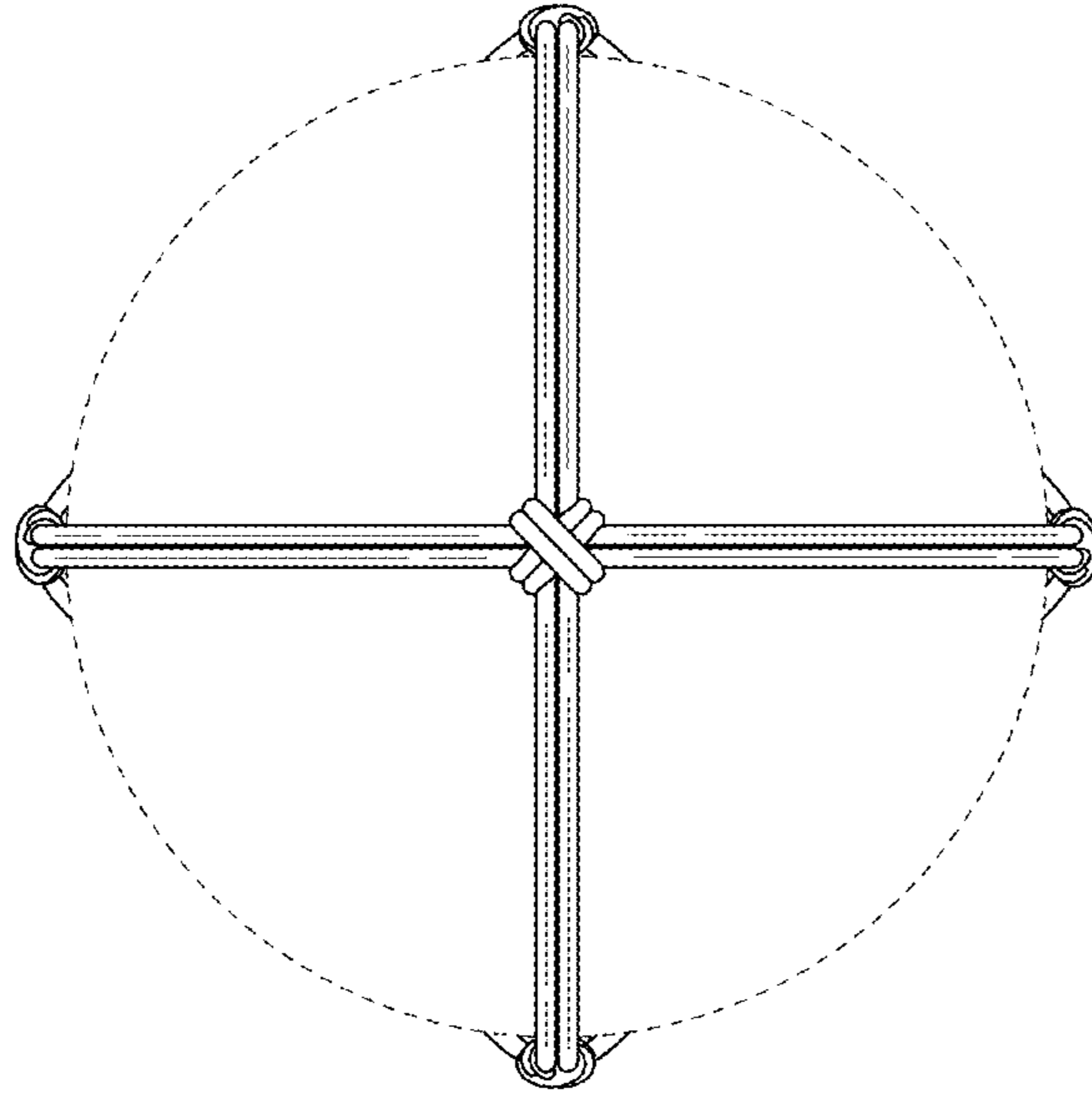


FIG. 8

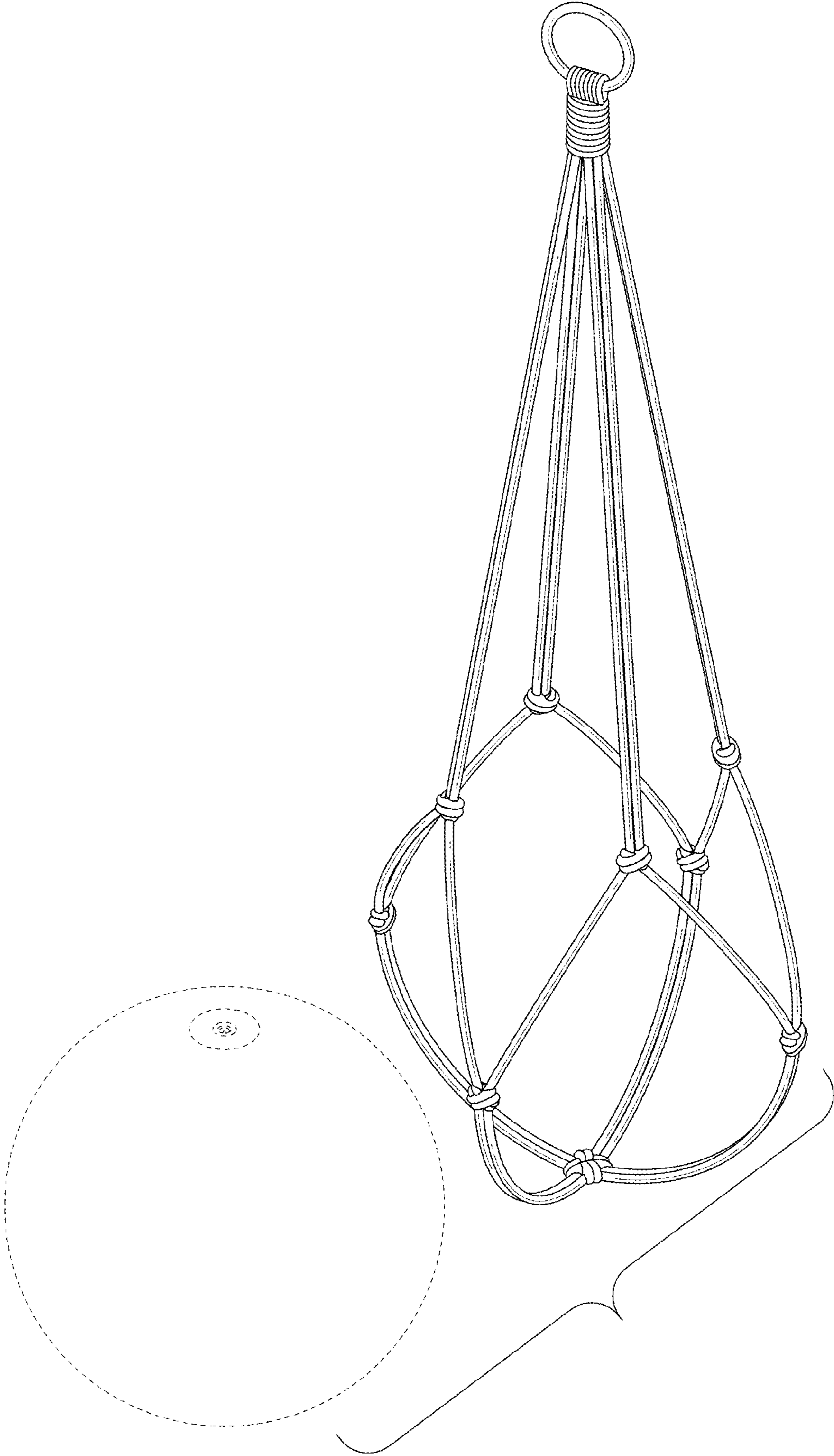


FIG. 9