



US00D958438S

(12) **United States Design Patent** (10) **Patent No.:** **US D958,438 S**
Shen (45) **Date of Patent:** **** Jul. 19, 2022**

(54) **LIGHT FIXTURE**

OTHER PUBLICATIONS

(71) Applicant: **Wei Shen**, Foshan (CN)

MELUCEE 6-Light Vanity Light ASIN: B09H4C9WSL available from amazon.com Dec. 24, 2021. (Year: 2021).*

(72) Inventor: **Wei Shen**, Foshan (CN)

VINLUZ 6-Light Bathroom Vanity Light Fixture, ASIN: B08LR8JKYS available from amazon.com Jan. 30, 2021. (Year: 2021).*

(**) Term: **15 Years**

Wei Shen, Light Fixture https://www.amazon.com/VINLUZ-Bathroom-Lighting-Industrial-Farmhouse/dp/B08LS2V5P6/ref=sr_1_6?crd=3JINQGB72GAXW&dchild=1&keywords=vinluz+6+light+fixture&qid=1614253548&srefix=vinluz+6+light%2Ctools%2C362&sr=8-6.

(21) Appl. No.: **29/777,372**

https://www.amazon.com/VINLUZ-Bathroom-Lighting-Industrial-Farmhouse/dp/B08LS2V5P6/ref=sr_1_6?crd=3JINQGB72GAXW&dchild=1&keywords=vinluz+6+light+fixture&qid=1614253548&srefix=vinluz+6+light%2Ctools%2C362&sr=8-6.

(22) Filed: **Apr. 6, 2021**

(51) **LOC (13) Cl.** **26-03**

(52) **U.S. Cl.**

USPC **D26/87**; D26/86

(58) **Field of Classification Search**

USPC D26/72, 80, 84-88, 92

CPC .. F21S 8/033; F21S 8/035; F21S 8/036; F21S 8/046

See application file for complete search history.

* cited by examiner

Primary Examiner — Clare E Heflin

(57) **CLAIM**

The ornamental design for a light fixture, as shown and described.

(56) **References Cited**

DESCRIPTION

U.S. PATENT DOCUMENTS

D510,452 S	*	10/2005	Porter	D26/80
D575,437 S	*	8/2008	Bickler	D26/86
D580,088 S	*	11/2008	Orozco	D26/81
D754,906 S	*	4/2016	Smith	D26/80
D879,354 S	*	3/2020	Lin	D26/86
D882,149 S	*	4/2020	Lin	D26/86
D887,617 S	*	6/2020	Wang	D26/86
D906,577 S	*	12/2020	Gardner	D26/80
D912,877 S		3/2021	Reynolds		
D913,565 S	*	3/2021	Yu	D26/87
D916,352 S	*	4/2021	Zeng	D26/86
D921,274 S	*	6/2021	Jiang	D26/86
D922,657 S	*	6/2021	Zheng	D26/86
D934,484 S	*	10/2021	Ou	D26/80

FIG. 1 is a front and top perspective view of a light fixture, showing my new design;

FIG. 2 is a rear and bottom perspective view thereof;

FIG. 3 is a front elevation view thereof;

FIG. 4 is a rear elevation view thereof;

FIG. 5 is a left side elevation view thereof;

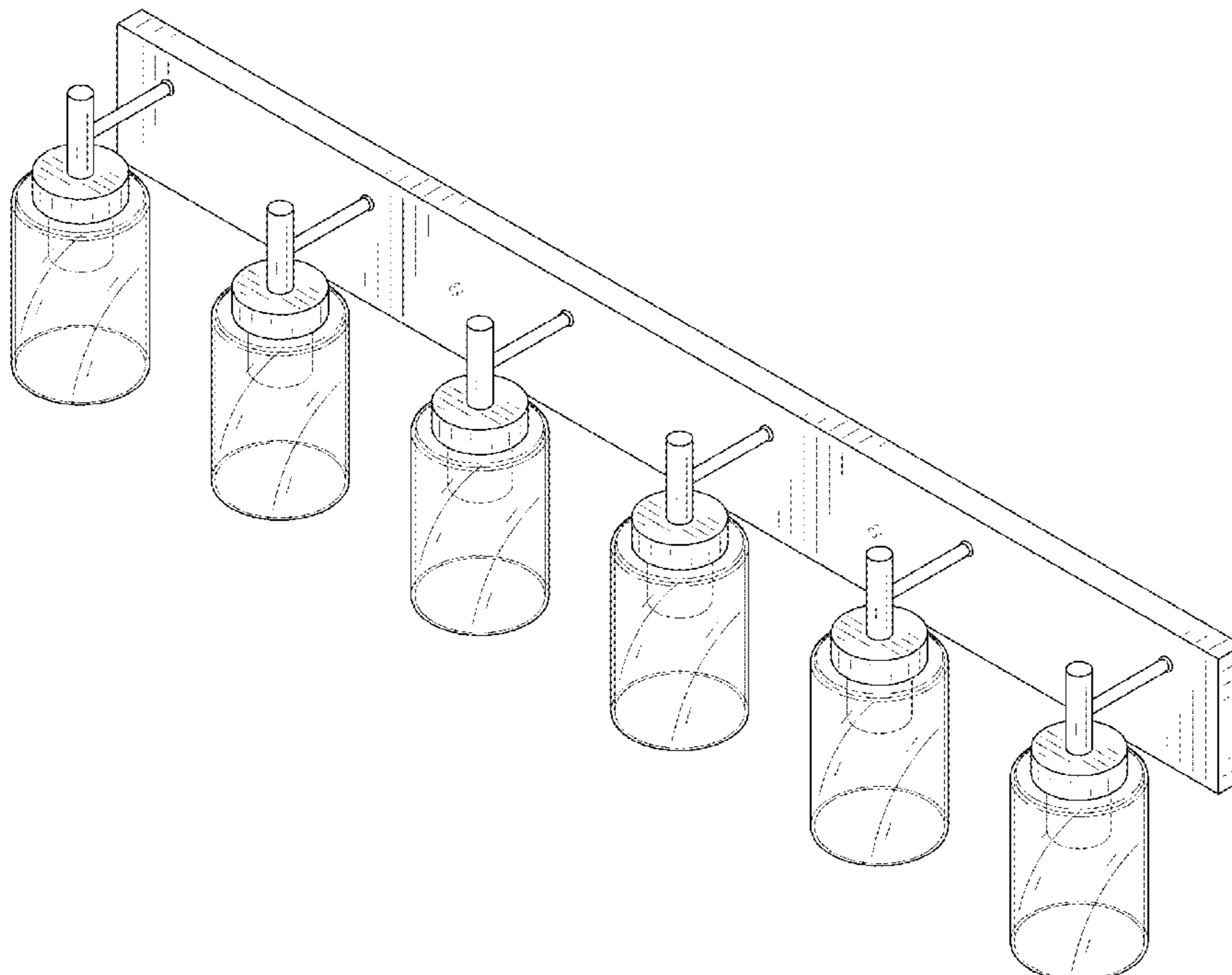
FIG. 6 is a right side elevation view thereof;

FIG. 7 is a top plan view thereof; and,

FIG. 8 is a bottom plan view thereof.

The broken lines in the figures illustrate portions of the light fixture that form no part of the claimed design.

1 Claim, 8 Drawing Sheets



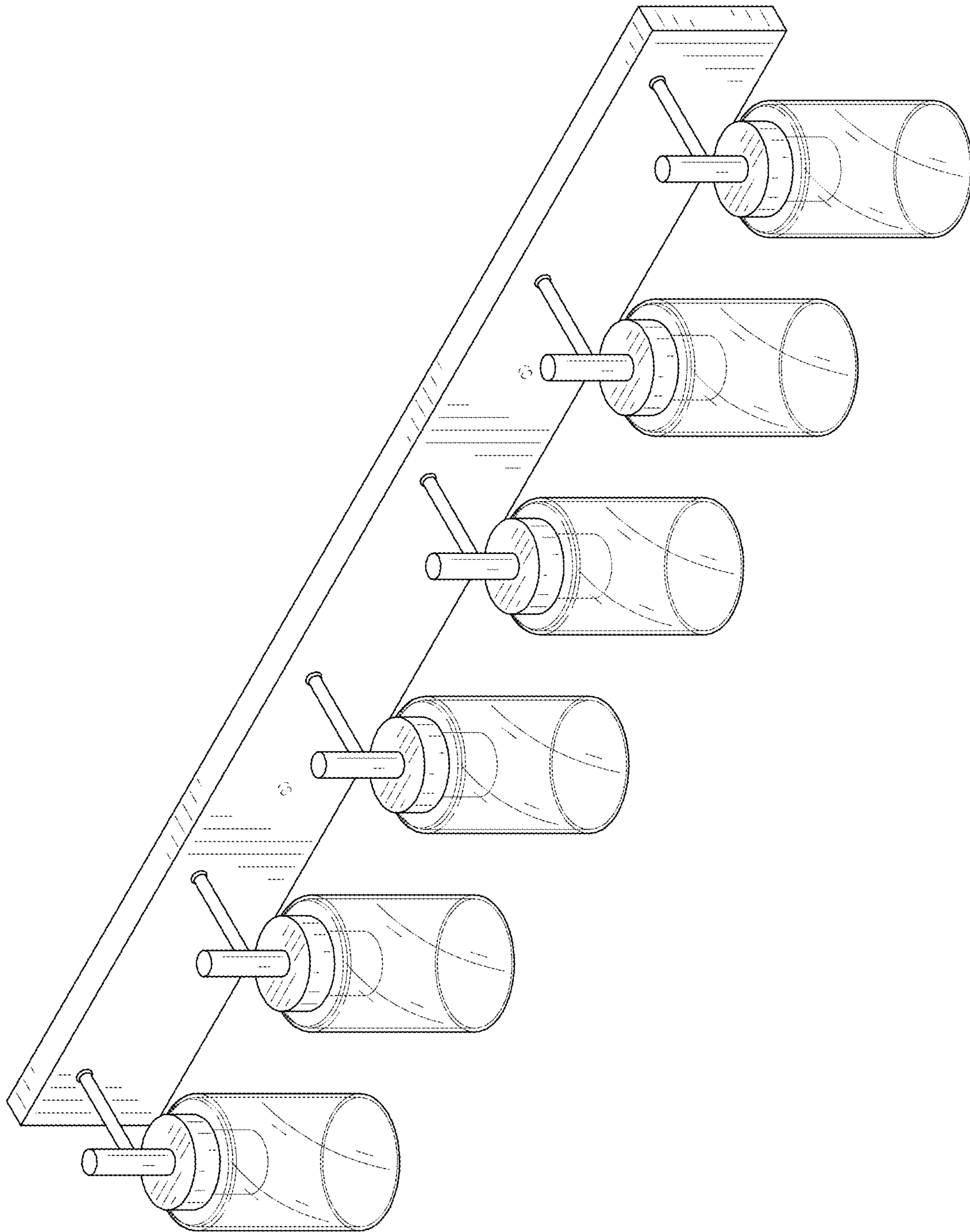


FIG. 1

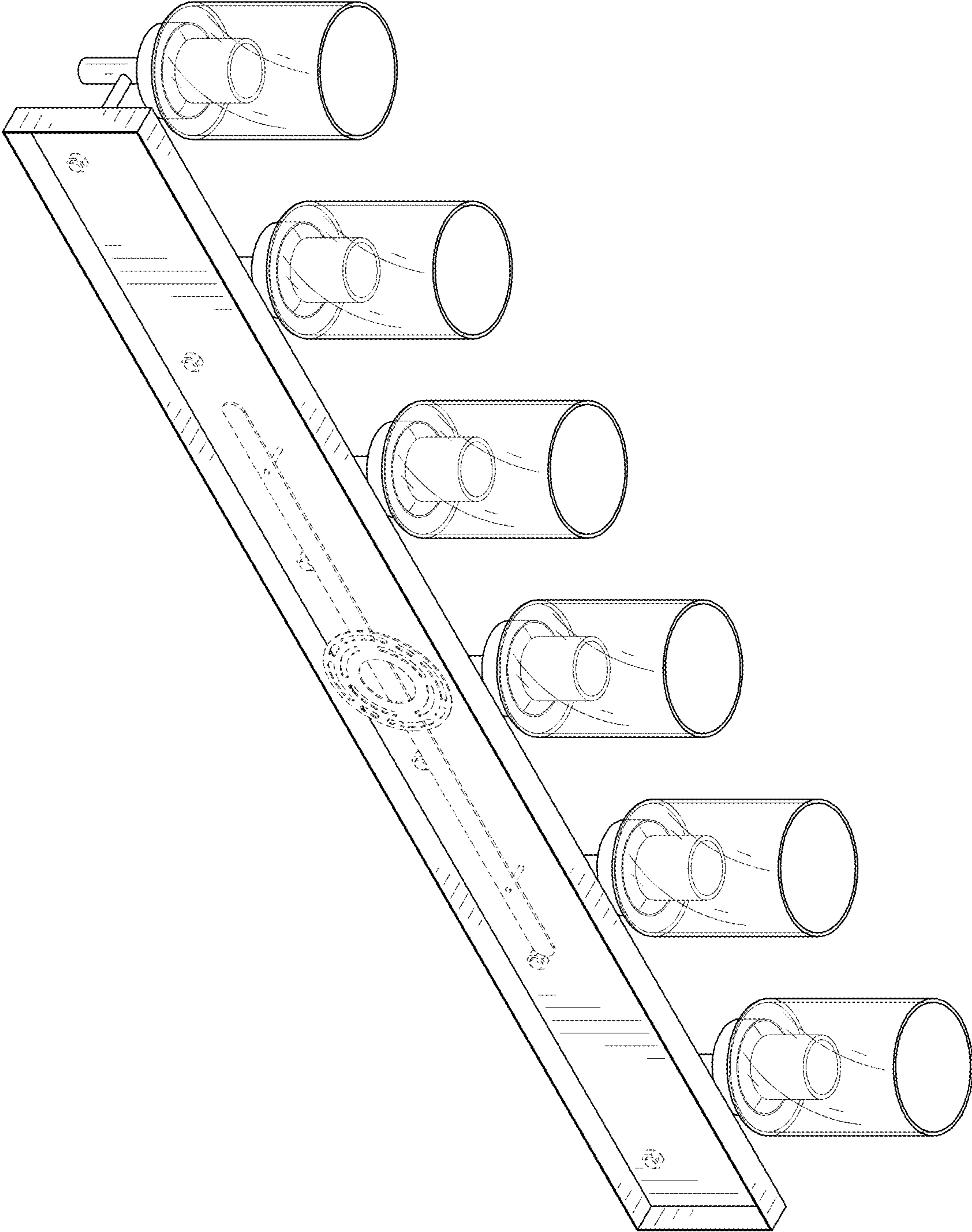


FIG. 2

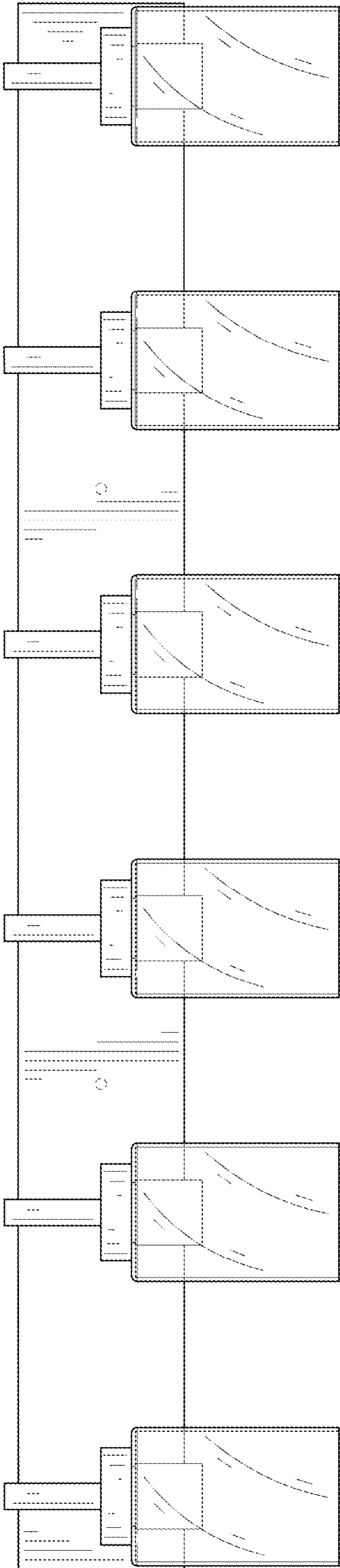


FIG. 3

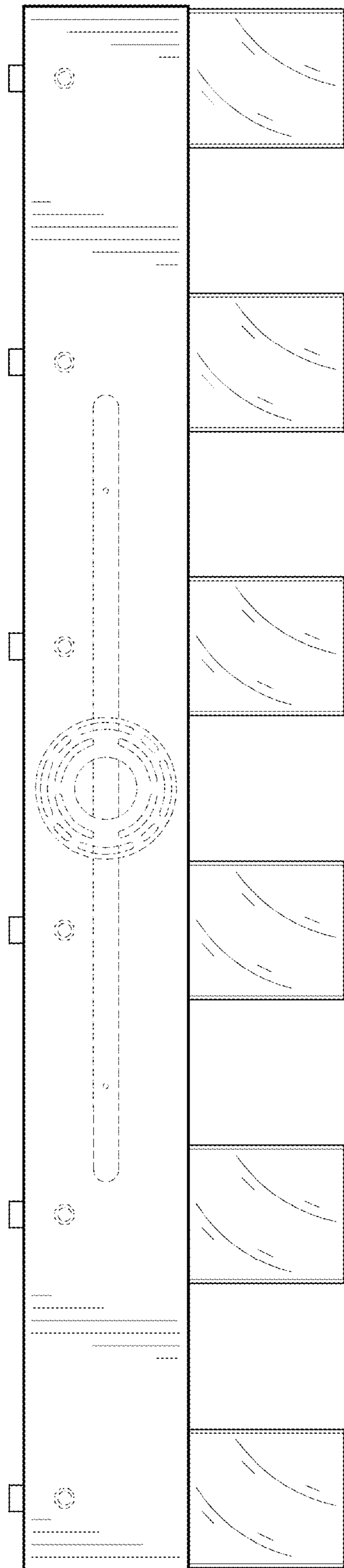


FIG. 4

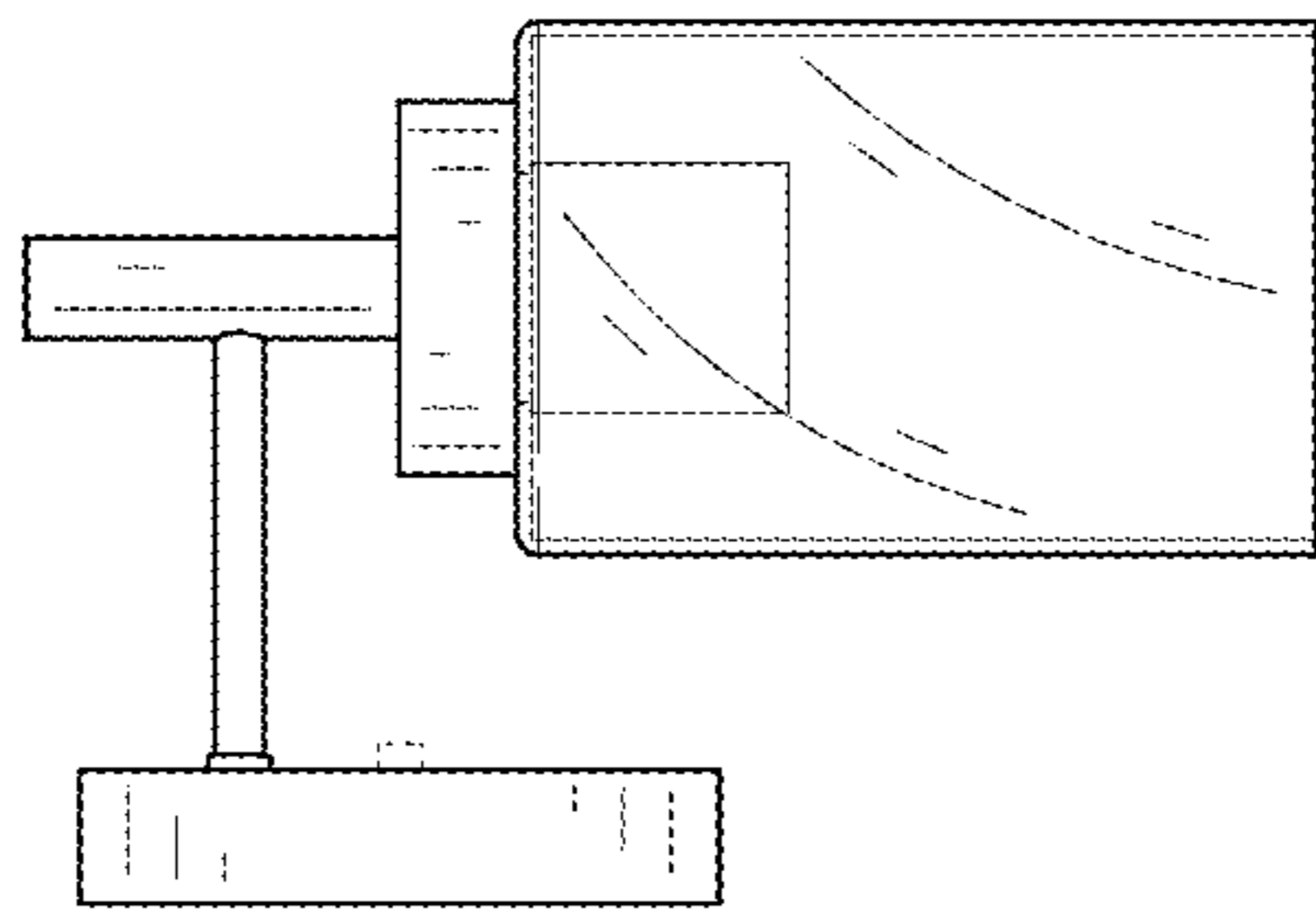


FIG. 5

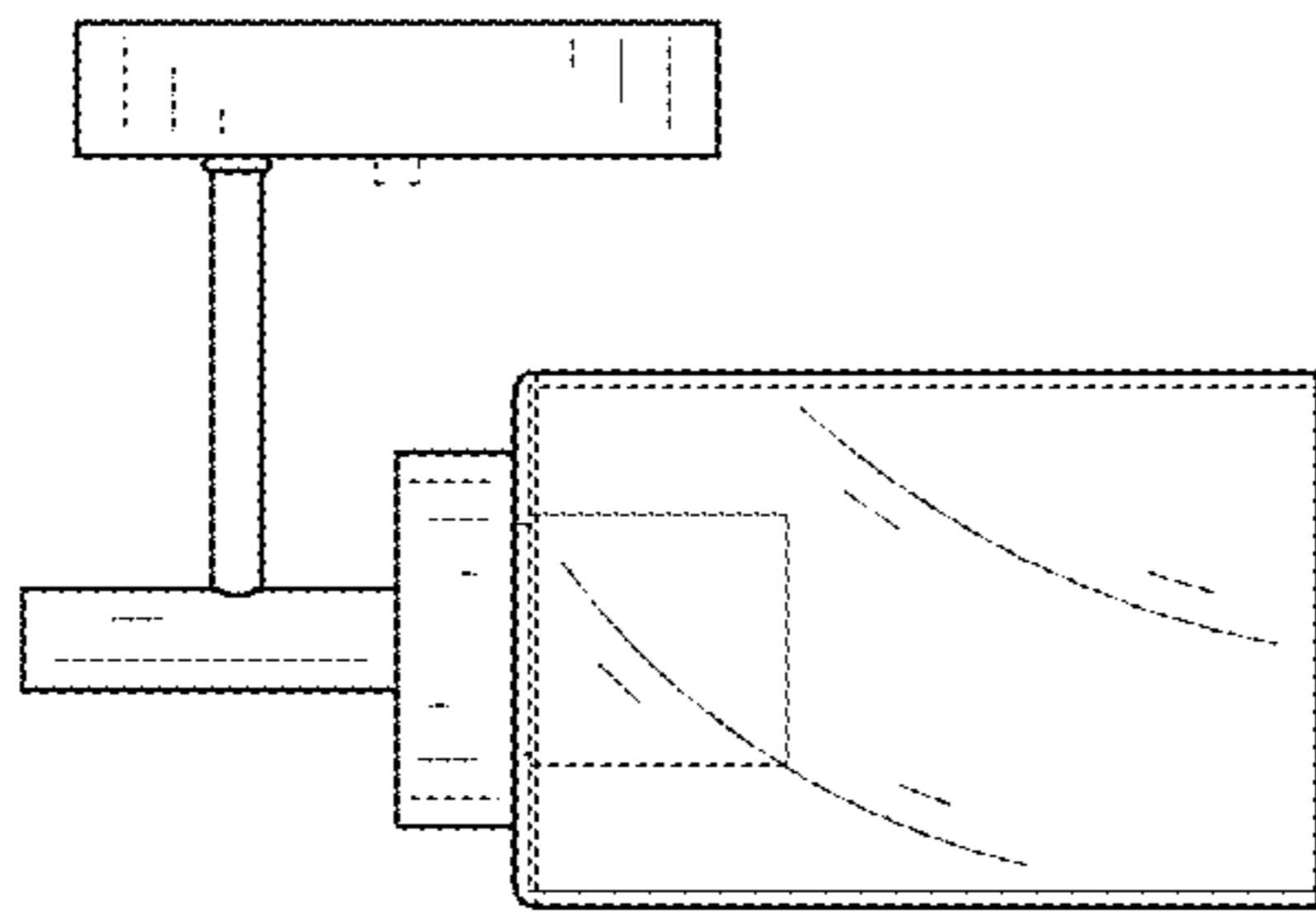


FIG. 6

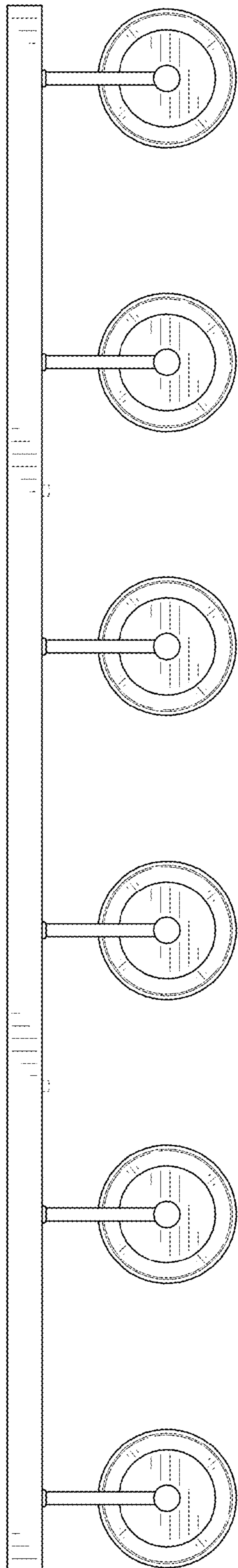


FIG. 7

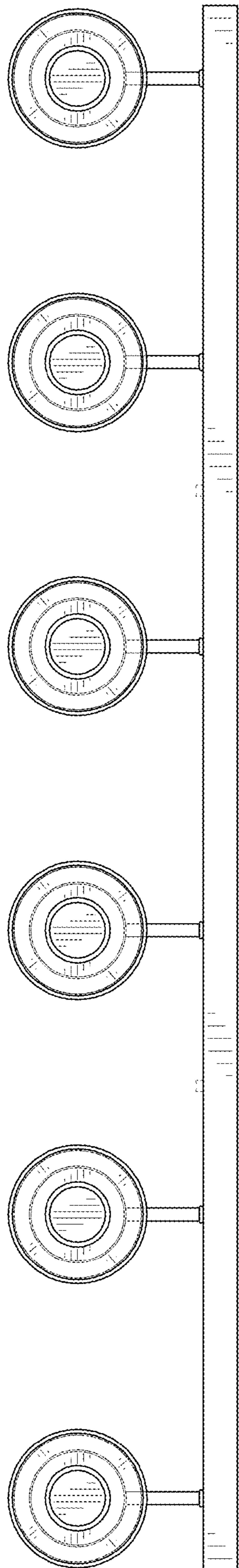


FIG. 8