



US00D958437S

(12) **United States Design Patent** (10) **Patent No.:** **US D958,437 S**
Kondo et al. (45) **Date of Patent:** **** Jul. 19, 2022**

(54) **LIGHTING DEVICE**

D827,903 S * 9/2018 Wu D26/74
D886,607 S * 6/2020 Edie D9/452
D910,223 S * 2/2021 Cohen D26/74

(71) Applicant: **Mitsubishi Electric Corporation,**
Tokyo (JP)

(Continued)

(72) Inventors: **Masayuki Kondo,** Tokyo (JP); **Yuka Yokobori,** Tokyo (JP); **Hiroyuki Inuta,** Tokyo (JP)

FOREIGN PATENT DOCUMENTS

CN 303587012 * 9/2015
NO 20150710-0001 * 7/2015
WO WOD092834-001 * 8/2016

(73) Assignee: **Mitsubishi Electric Corporation,**
Tokyo (JP)

OTHER PUBLICATIONS

(**) Term: **15 Years**

“YGS-Tech” reference by YGS-TECH on Amazon.com, date first available Mar. 12, 2019 [online], site visited Mar. 16, 2022, available from internet URL: <https://www.amazon.com/YGS-Tech-Downlight-Dimmable-Halogen-Equivalent/dp/B07PM2T4HP> (Year: 2019).*

(21) Appl. No.: **29/746,430**

(Continued)

(22) Filed: **Aug. 13, 2020**

(30) **Foreign Application Priority Data**

May 15, 2020 (JP) 2020-009573 D

(51) **LOC (13) Cl.** **26-05**

(52) **U.S. Cl.**
USPC **D26/74**

(58) **Field of Classification Search**
USPC D26/24, 72, 74, 81–84, 88, 93, 113, 138,
D26/142, 3, 26, 61, 75, 76, 85, 140, 141,
D26/152, 155, 28, 123, 124; D9/452,
D9/453

CPC F21S 6/00; F21S 6/005; F21S 8/00; F21S
8/02; F21S 8/026; F21S 8/066; F21V
21/02; F21V 21/042; F21V 21/047; F21V
21/06; F21V 21/08; F21V 17/16; F21V
19/0065

See application file for complete search history.

(56) **References Cited**

U.S. PATENT DOCUMENTS

D616,745 S * 6/2010 Stull D9/452
D659,893 S * 5/2012 Ding D26/113
D681,862 S * 5/2013 Soni D26/74
D762,907 S * 8/2016 Jeswani D26/74
D776,325 S * 1/2017 Jeswani D26/74

Primary Examiner — Marissa J Cash

Assistant Examiner — Liv C Anderson

(74) *Attorney, Agent, or Firm* — Studebaker & Brackett
PC

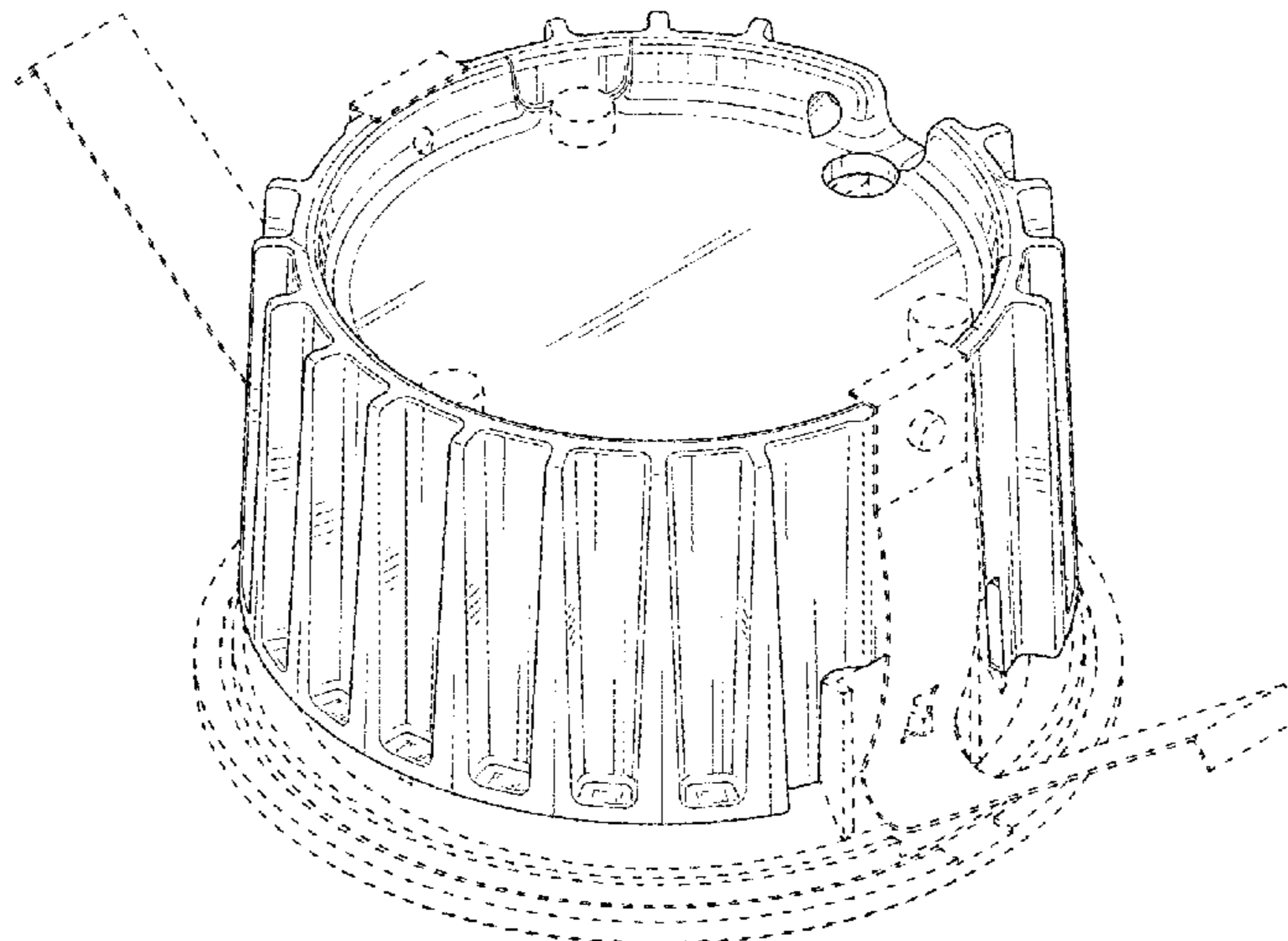
(57) **CLAIM**

The ornamental design for a lighting device, as shown and described.

DESCRIPTION

FIG. 1. is a top perspective view of the top, front, and right sides of a lighting device showing our new design;
FIG. 2. is a bottom perspective view of the bottom, front, and right sides thereof;
FIG. 3. is a front view thereof;
FIG. 4. is a rear view thereof;
FIG. 5. is a left side view thereof;
FIG. 6. is a right side view thereof;
FIG. 7. is a top plan view thereof; and,
FIG. 8. is a bottom plan view thereof.
The broken lines shown represent portions of the lighting device and form no part of the claimed design.

1 Claim, 8 Drawing Sheets



(56)

References Cited

U.S. PATENT DOCUMENTS

D920,790 S * 6/2021 Neputy D9/453
2021/0262650 A1 * 8/2021 Danesh F21V 29/10

OTHER PUBLICATIONS

“OBSESS” reference by OBSESS on Amazon.com, date first available Sep. 5, 2015 [online], site visited Mar. 16, 2022, available from internet URL: <https://www.amazon.com/OBSESS-Waterproof-Recessed-Downlight-Downlights/dp/B014YJ3SQU> (Year: 2019).*

“TORCHSTAR” reference by Torchstar on Amazon.com, date first available Jan. 30, 2018 [online], site visited Mar. 16, 2022, available from internet URL: <https://www.amazon.com/TORCHSTAR-Recessed-Dimmable-Airtight-Certified/dp/B079GLKCV7> (Year: 2018).*

“Lithonia” reference by Amazon.com, date first available May 14, 2018 [online], site visited Mar. 16, 2022, available from internet URL: <https://www.amazon.com/Lithonia-Lighting-6JBK-30K-90CRI/dp/B07D2PQBTK> (Year: 2018).*

“Minelife” reference by Minelife on Amazon.com, date first available Apr. 1, 2020 [online], site visited Mar. 17, 2022, available from internet URL: <https://www.amazon.com/Minelife-Protection-Environmental-Development-Intelligence/dp/B086N2SWMZ/> (Year: 2020).*

“FIFTY” reference by Amazon.com, date first available Jun. 8, 2018 [online], site visited Mar. 17, 2022, available from internet URL: <https://www.amazon.com/FIFTY-Wide-Mouth-Finger-Cap/dp/B07DM4Z4PD> (Year: 2018).*

* cited by examiner

Fig.1

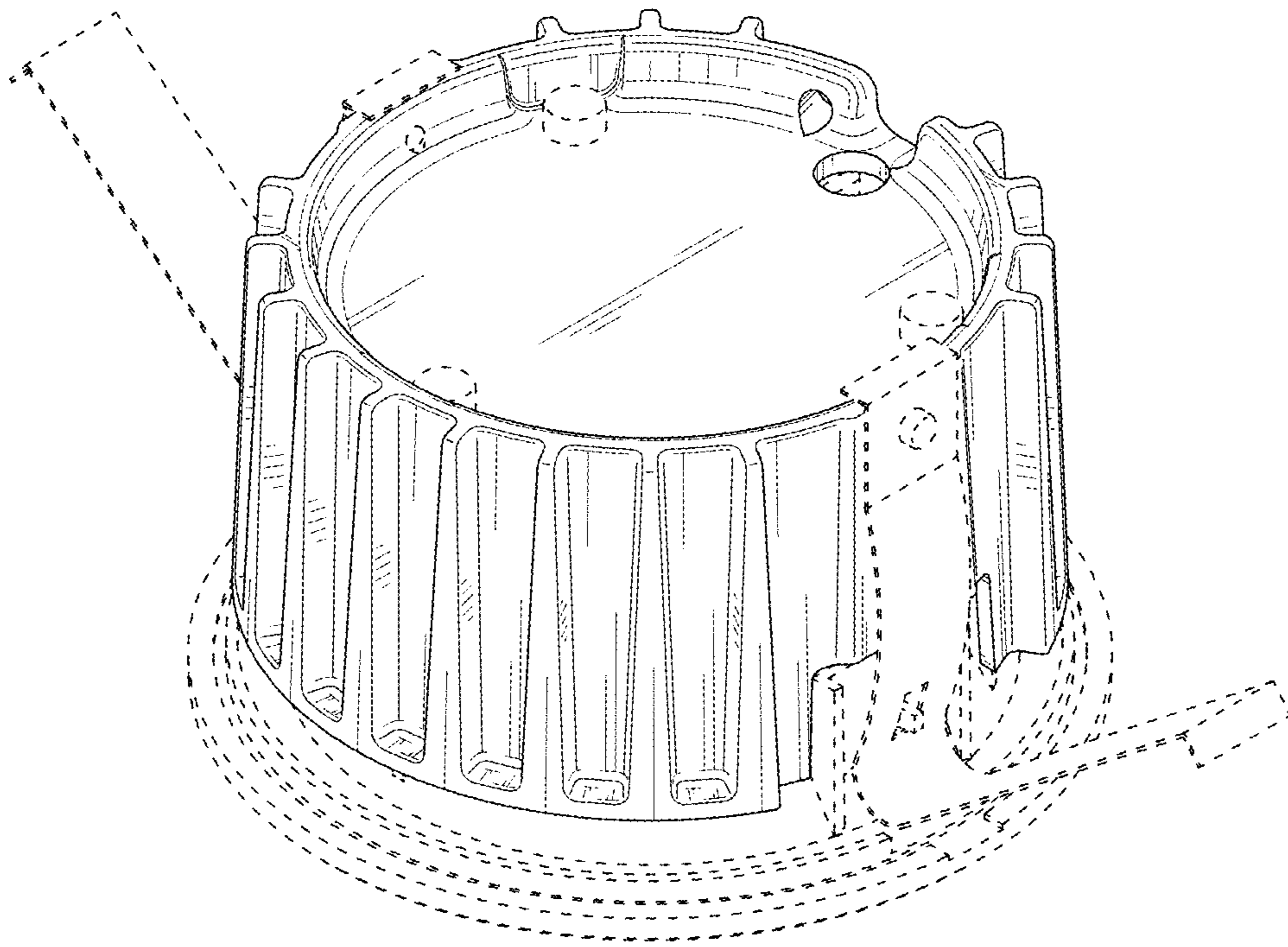


Fig.2

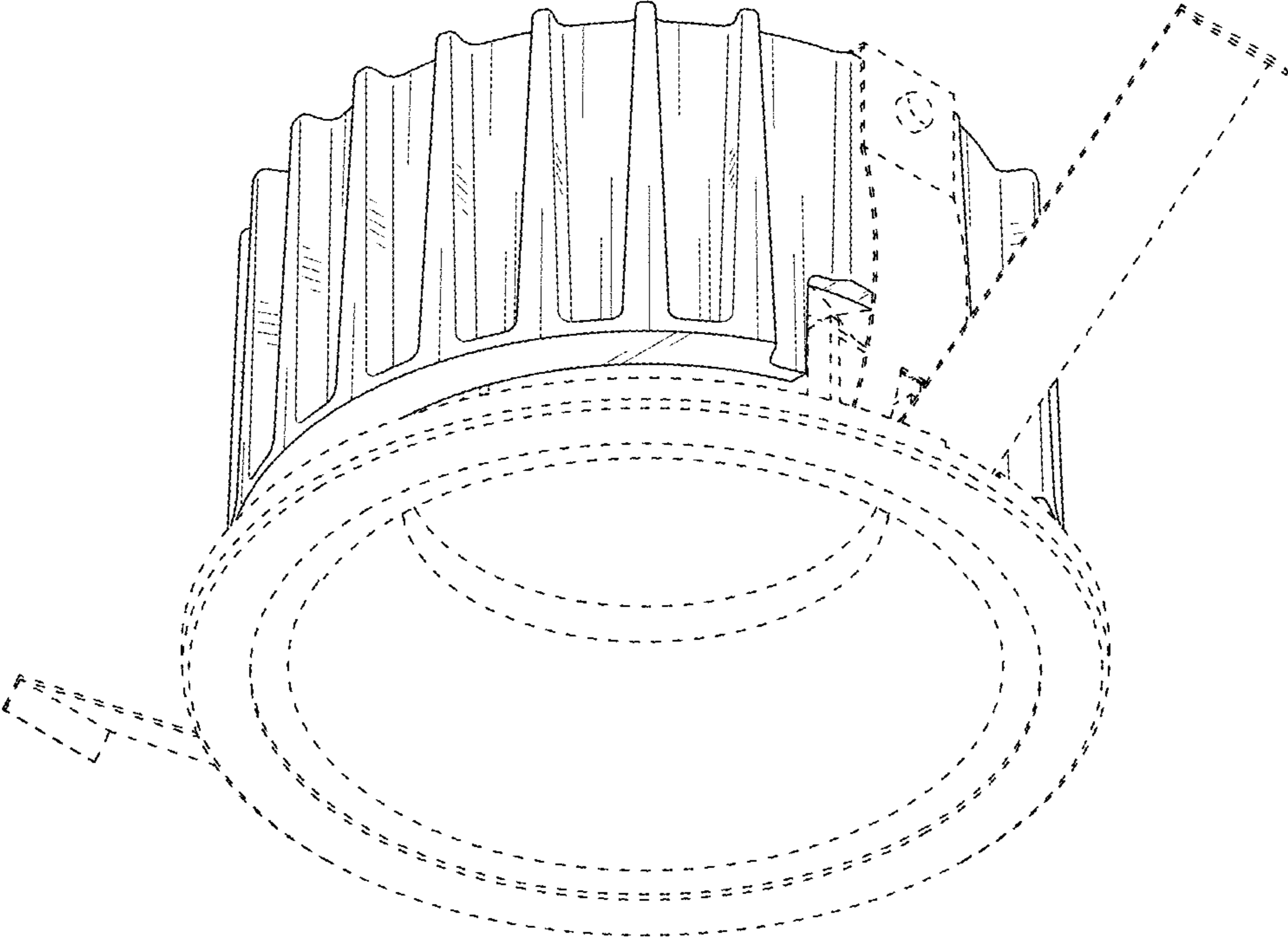


Fig.3

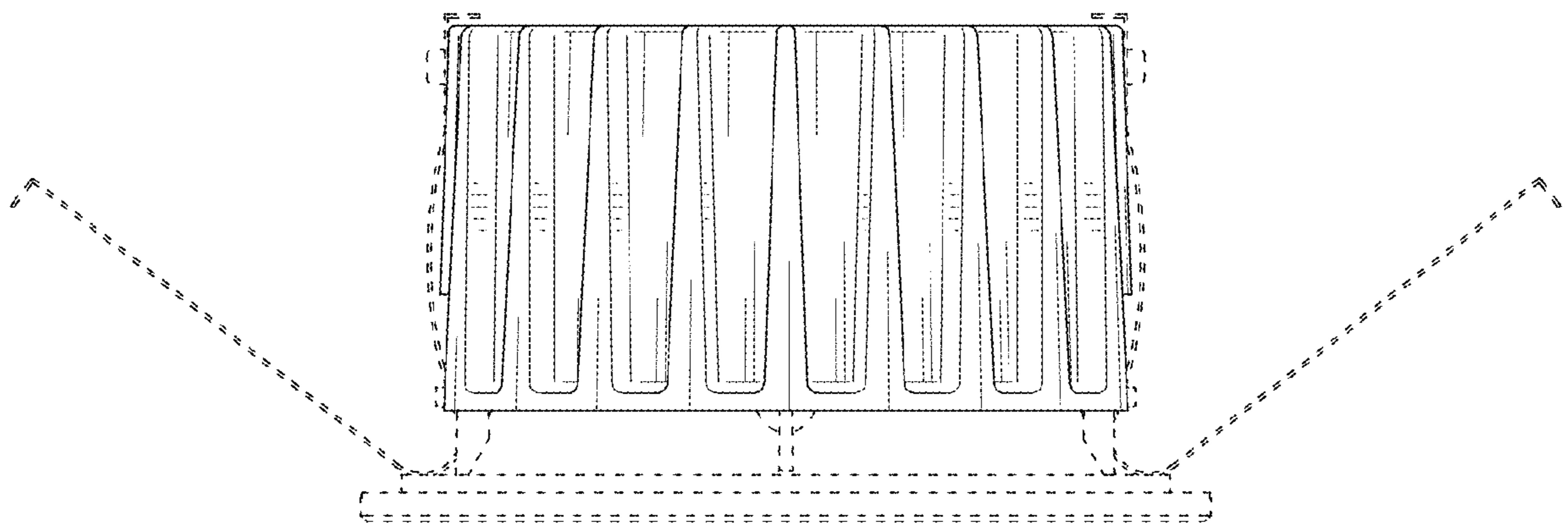


Fig.4

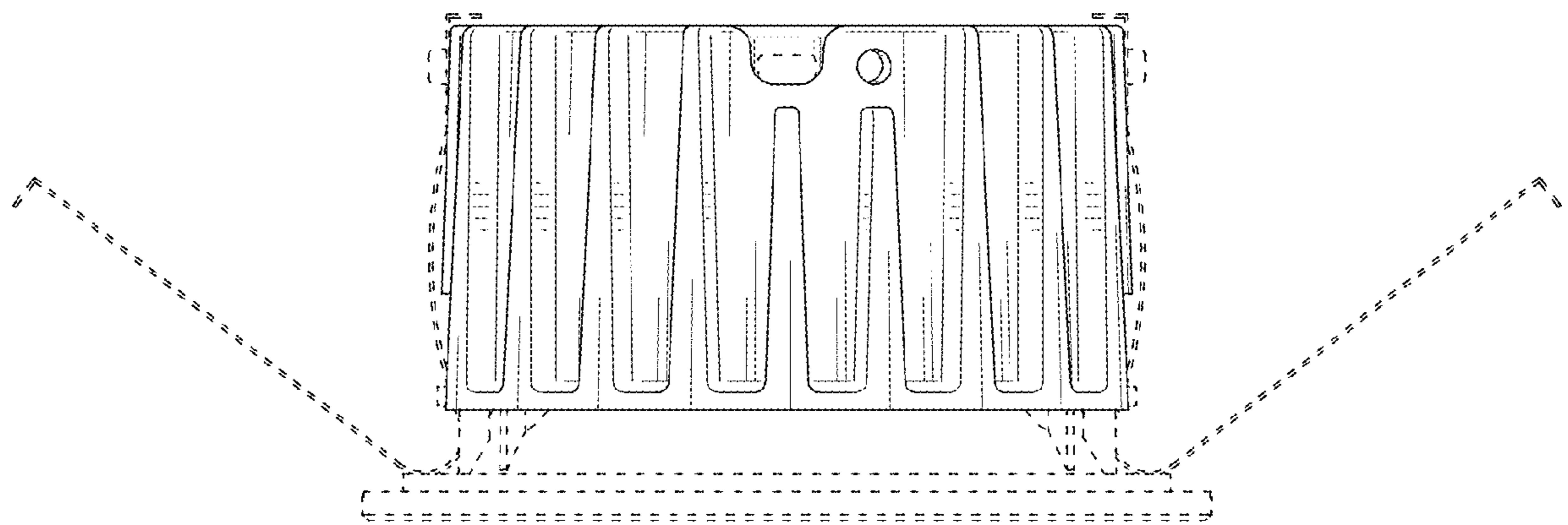


Fig.5

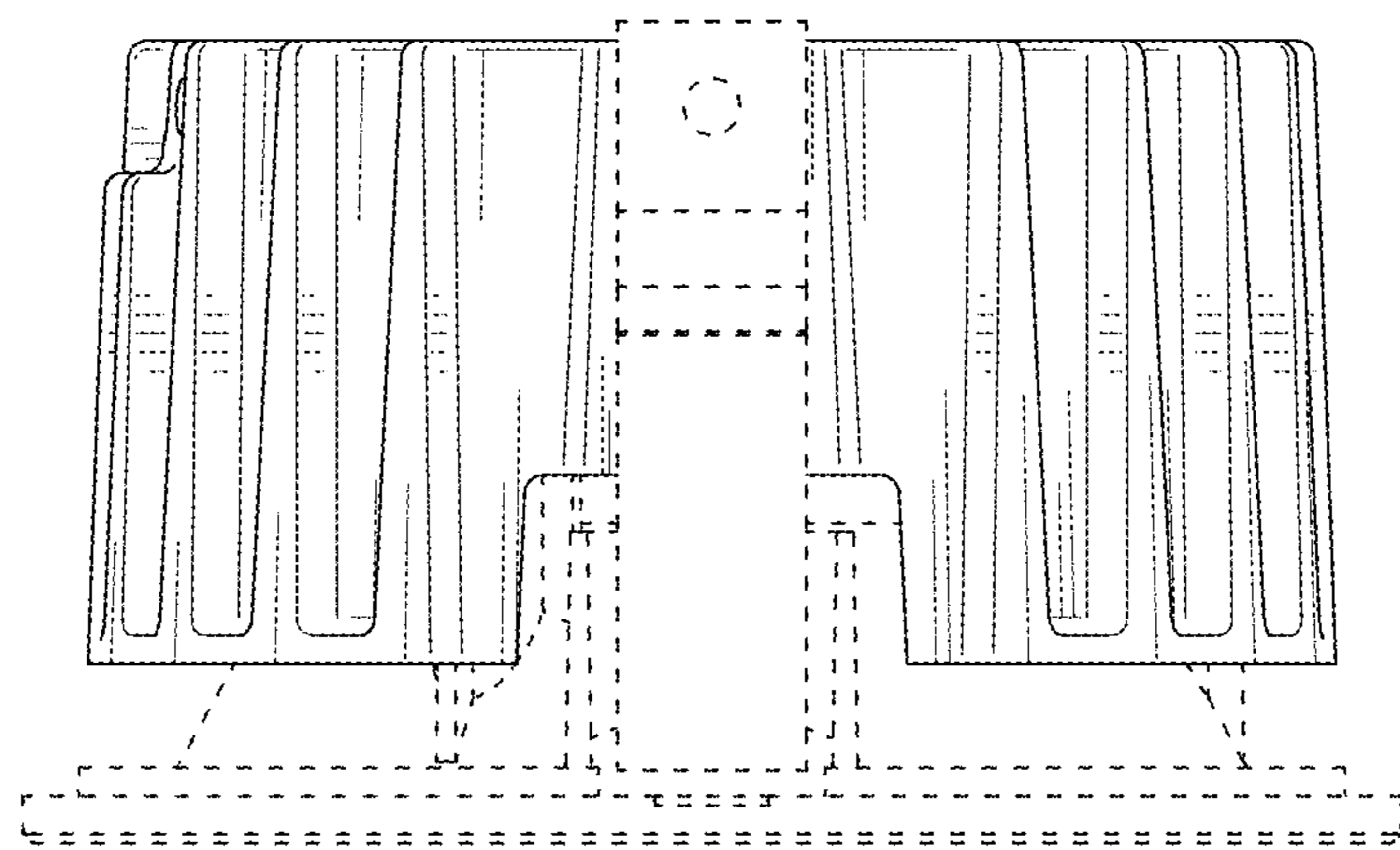


Fig.6

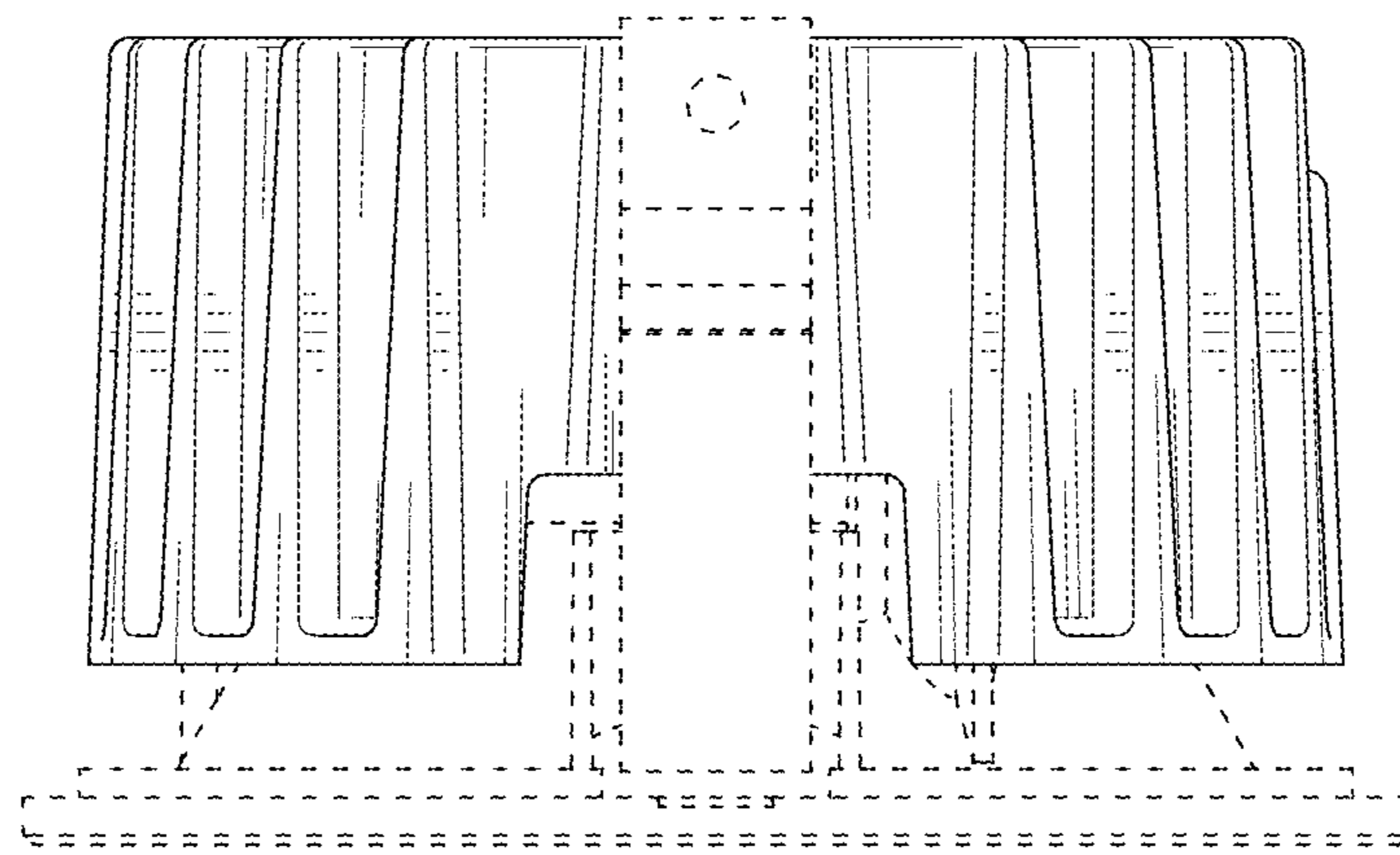


Fig.7

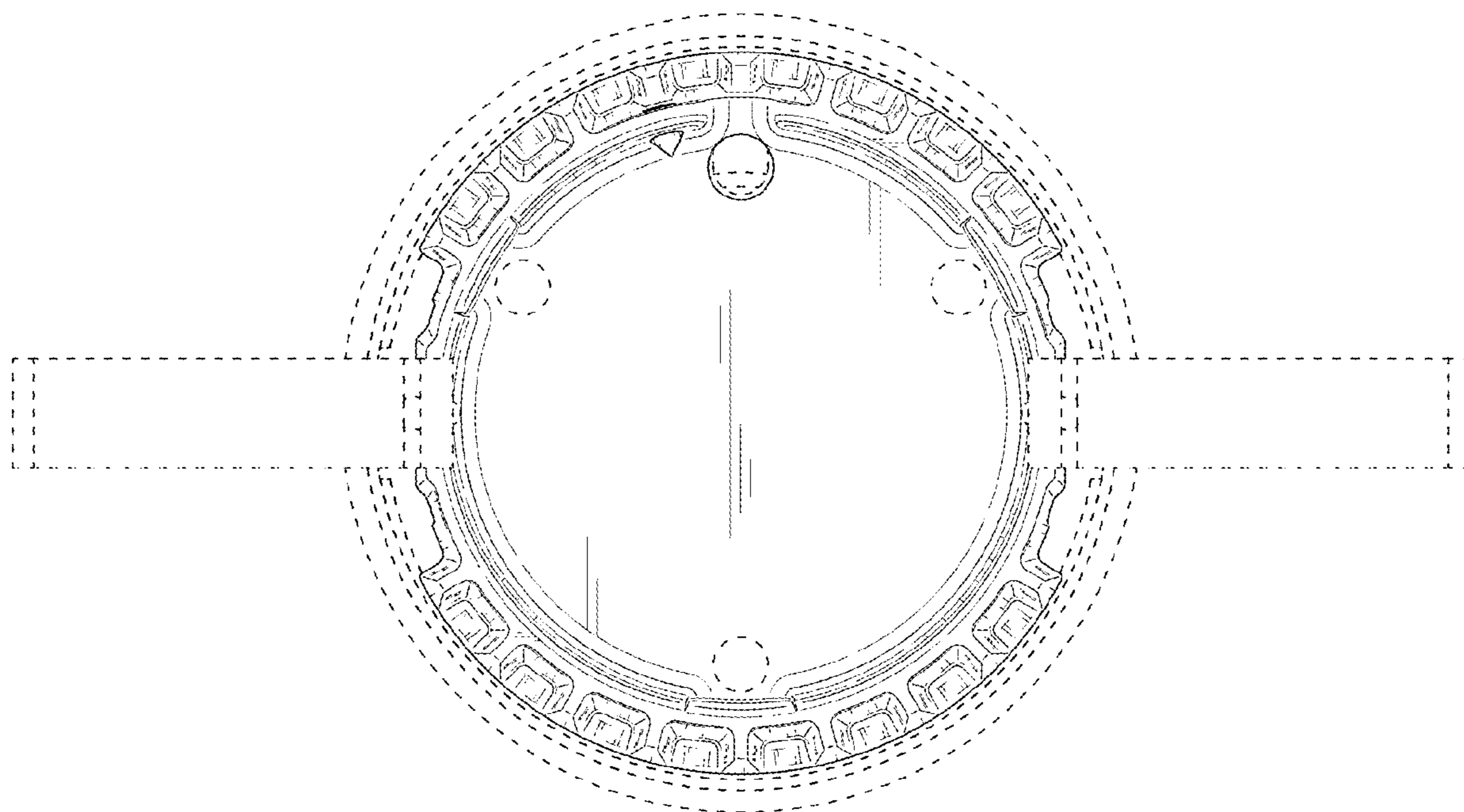


Fig.8

