



US00D958436S

(12) **United States Design Patent**
Holscher

(10) **Patent No.:** **US D958,436 S**
(45) **Date of Patent:** **** Jul. 19, 2022**

- (54) **LAMP**
- (71) Applicant: **ANTARES ILUMINACION, S.A.U.**,
Ribarroja (ES)
- (72) Inventor: **Knud Holscher**, Valencia (ES)
- (**) Term: **15 Years**
- (21) Appl. No.: **35/509,520**
- (22) Filed: **May 21, 2020**
- (80) **Hague Agreement Data**
Int. Filing Date: **May 21, 2020**
Int. Reg. No.: **DM/208337**
Int. Reg. Date: **May 21, 2020**
Int. Reg. Pub. Date: **Jun. 5, 2020**
- (51) **LOC (13) Cl.** **26-05**
- (52) **U.S. Cl.**
USPC **D26/72; D26/74**
- (58) **Field of Classification Search**
USPC D26/24, 26, 27, 37-39, 51, 58, 60, 63,
D26/67, 68, 72, 74, 75, 76, 78, 82, 84,
D26/85, 87, 88, 93.96, 103, 104, 106,
D26/110; D10/104.1, 111, 114.2, 114.9
CPC F21S 9/00; F21S 9/02; F21S 9/022; F21S
9/03; F21S 9/037; F21S 8/00; F21S
8/026; F21S 8/066
See application file for complete search history.

(56) **References Cited**

U.S. PATENT DOCUMENTS

- D225,370 S * 12/1972 Peasley D26/85
- D254,728 S * 4/1980 Mitumori D10/116.1
- D294,808 S * 3/1988 Zeigner D10/116.1
- D298,863 S * 12/1988 Tharp D26/67
- D299,070 S * 12/1988 Tharp D26/67
- D469,911 S * 2/2003 Lee D26/85
- D558,378 S * 12/2007 Rashidi D26/74
- D568,522 S * 5/2008 Engel D26/74

- D646,417 S * 10/2011 Wauters D26/63
- D662,642 S * 6/2012 Huang D26/74
- D723,153 S * 2/2015 Borkholder D23/411
- D749,050 S * 2/2016 Zheng D13/171
- D751,230 S * 3/2016 Howard F21S 8/035
D26/26
- D774,936 S * 12/2016 O'Neil D10/104.1
- D795,480 S * 8/2017 Goetz-Schaefer D26/63
- D828,605 S * 9/2018 Wronski D26/74
- D854,220 S * 7/2019 Coirier D26/74
- D855,235 S * 7/2019 Goetz-Schaefer D26/74
- D859,717 S * 9/2019 Martinez Weber D26/63
- 2010/0277905 A1 * 11/2010 Janik F21V 29/763
362/235
- 2014/0043733 A1 * 2/2014 Huang H05B 47/115
361/679.01
- 2018/0224104 A1 * 8/2018 Bernard F21V 21/35
- 2019/0271460 A1 * 9/2019 Qi H05B 45/00
- 2020/0056767 A1 * 2/2020 Shih F21S 8/036

(Continued)

FOREIGN PATENT DOCUMENTS

WO D208337-001 * 6/2020

Primary Examiner — Richard Kearney

(74) *Attorney, Agent, or Firm* — Hayes Soloway P.C.

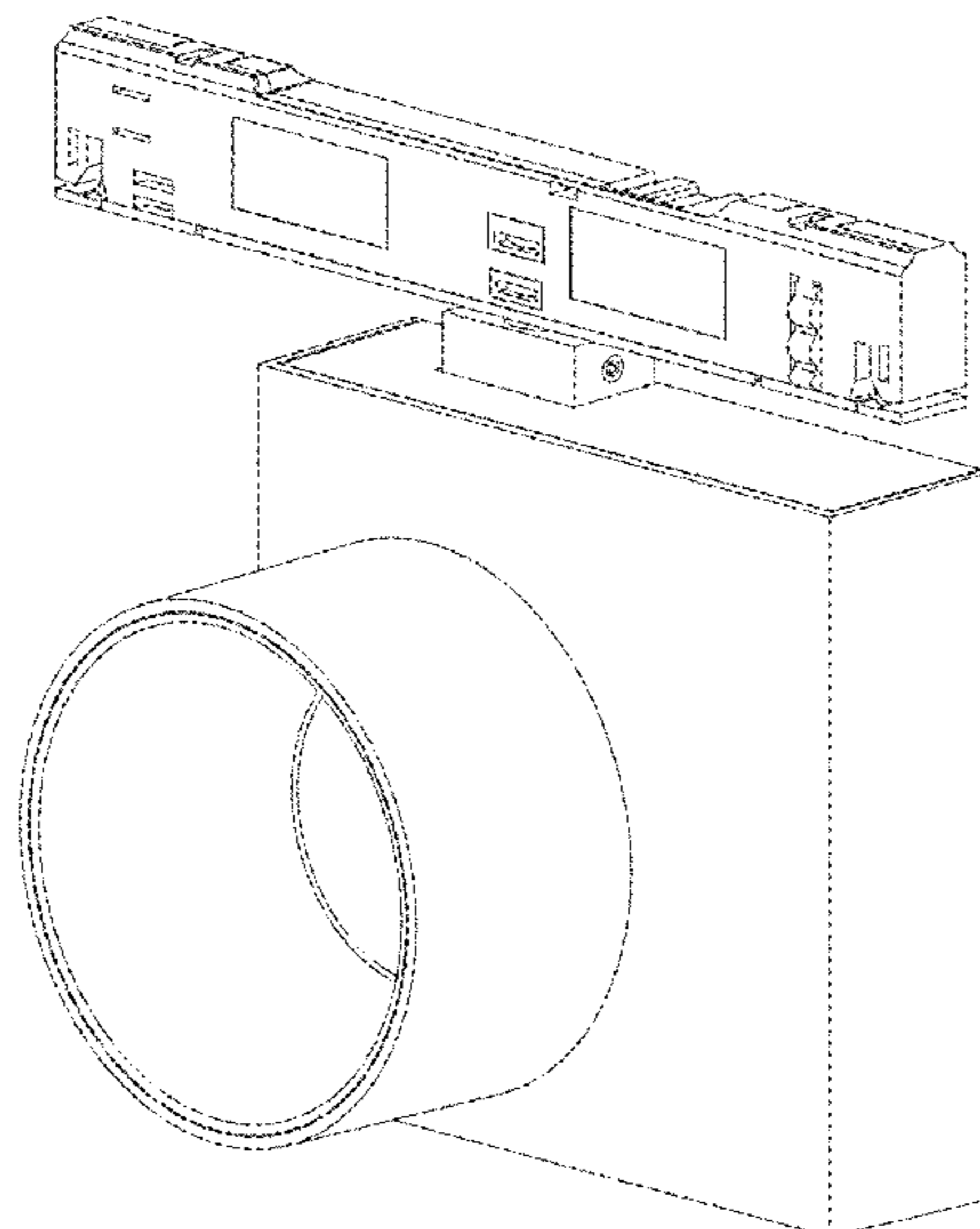
(57) **CLAIM**

The ornamental design for a lamp, as shown and described.

DESCRIPTION

FIG. 1.1 is a front perspective view of a lamp showing my new design;
 FIG. 1.2 is a top view thereof;
 FIG. 1.3 is a right side view thereof;
 FIG. 1.4 is a left side view thereof;
 FIG. 1.5 is a rear view thereof;
 FIG. 1.6 is a front view thereof; and,
 FIG. 1.7 is a bottom view thereof.
 The broken lines shown in the figures illustrate portions of the rear part of the lamp that form no part of the claimed design.

1 Claim, 7 Drawing Sheets



(56)

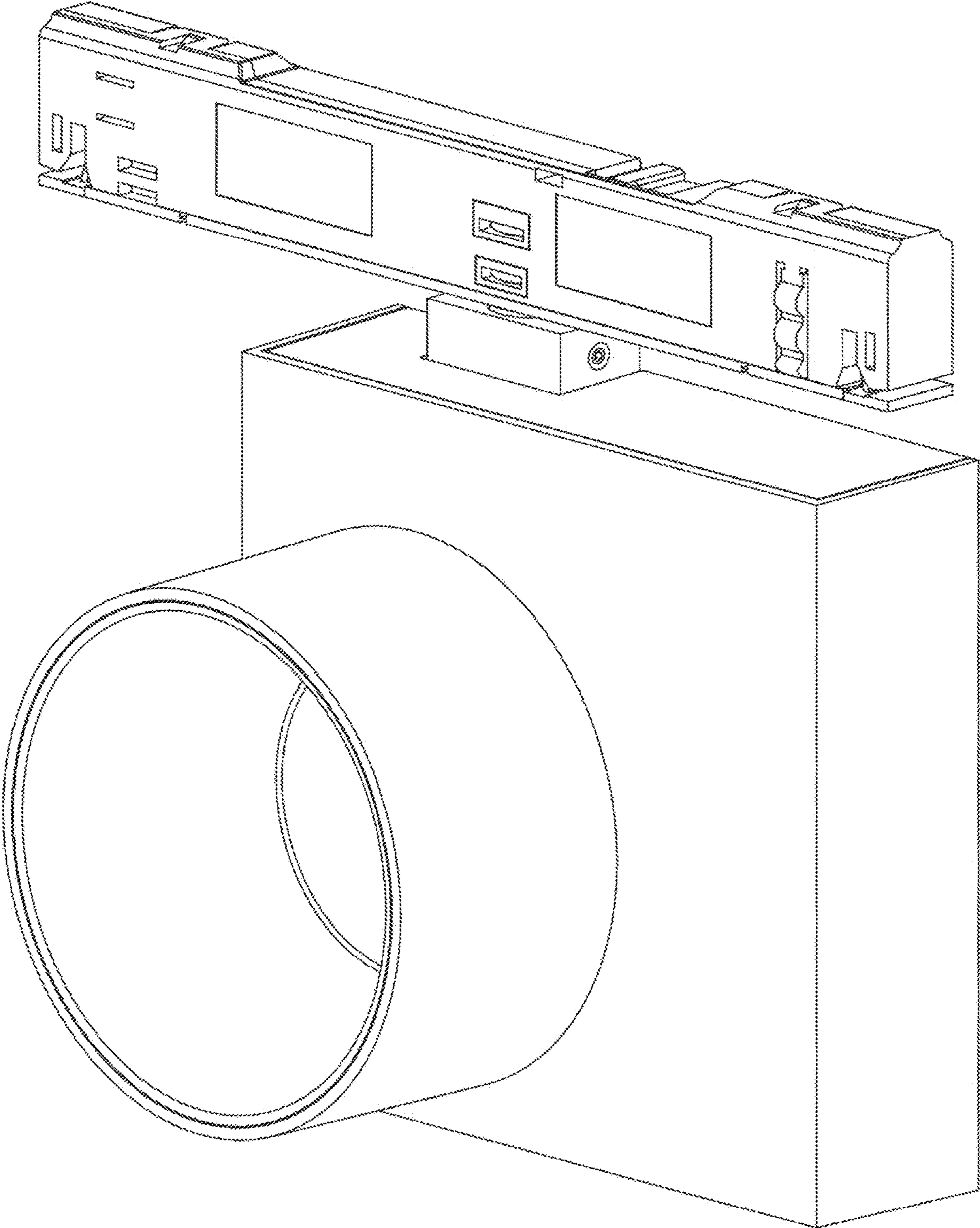
References Cited

U.S. PATENT DOCUMENTS

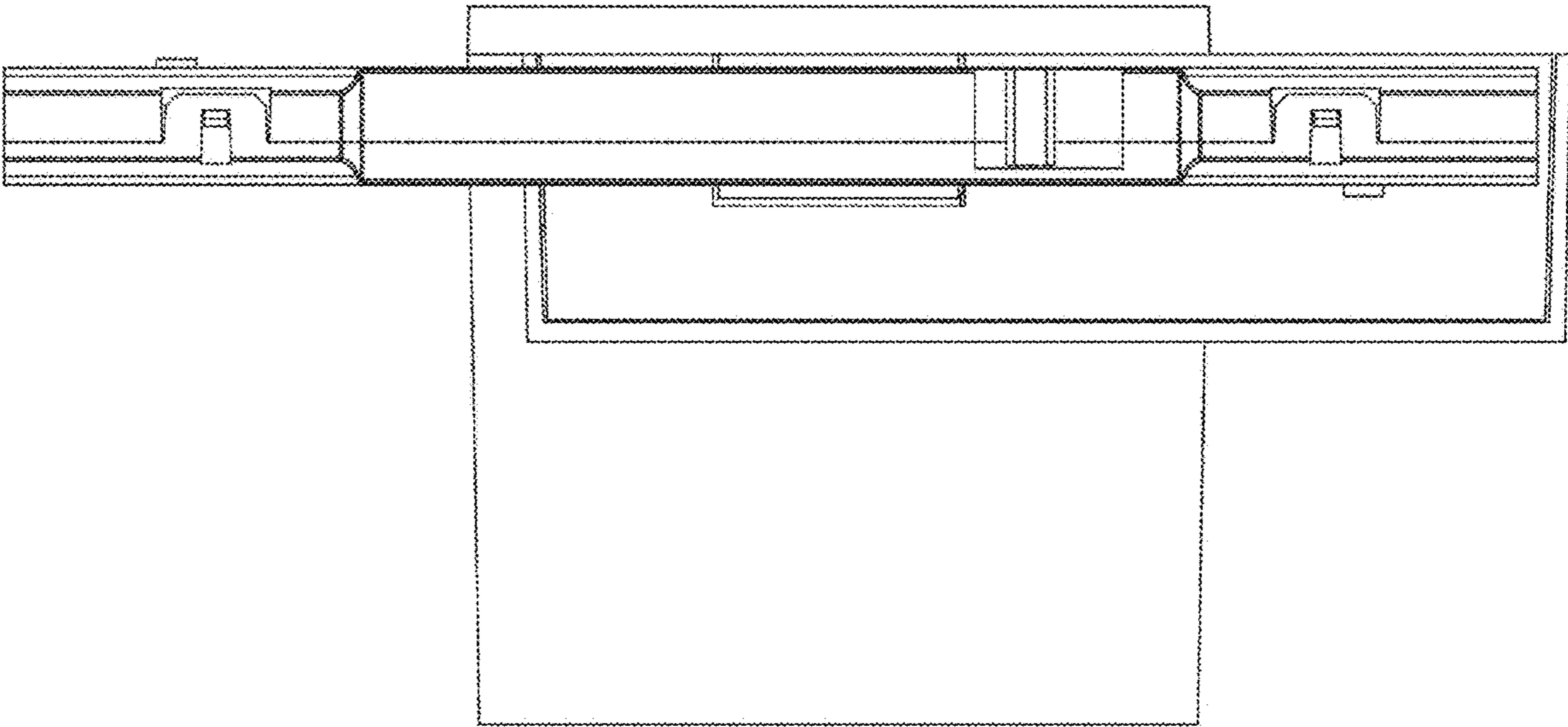
2020/0080710 A1* 3/2020 Koo F21V 23/02
2020/0158122 A1* 5/2020 Huang F21S 8/04

* cited by examiner

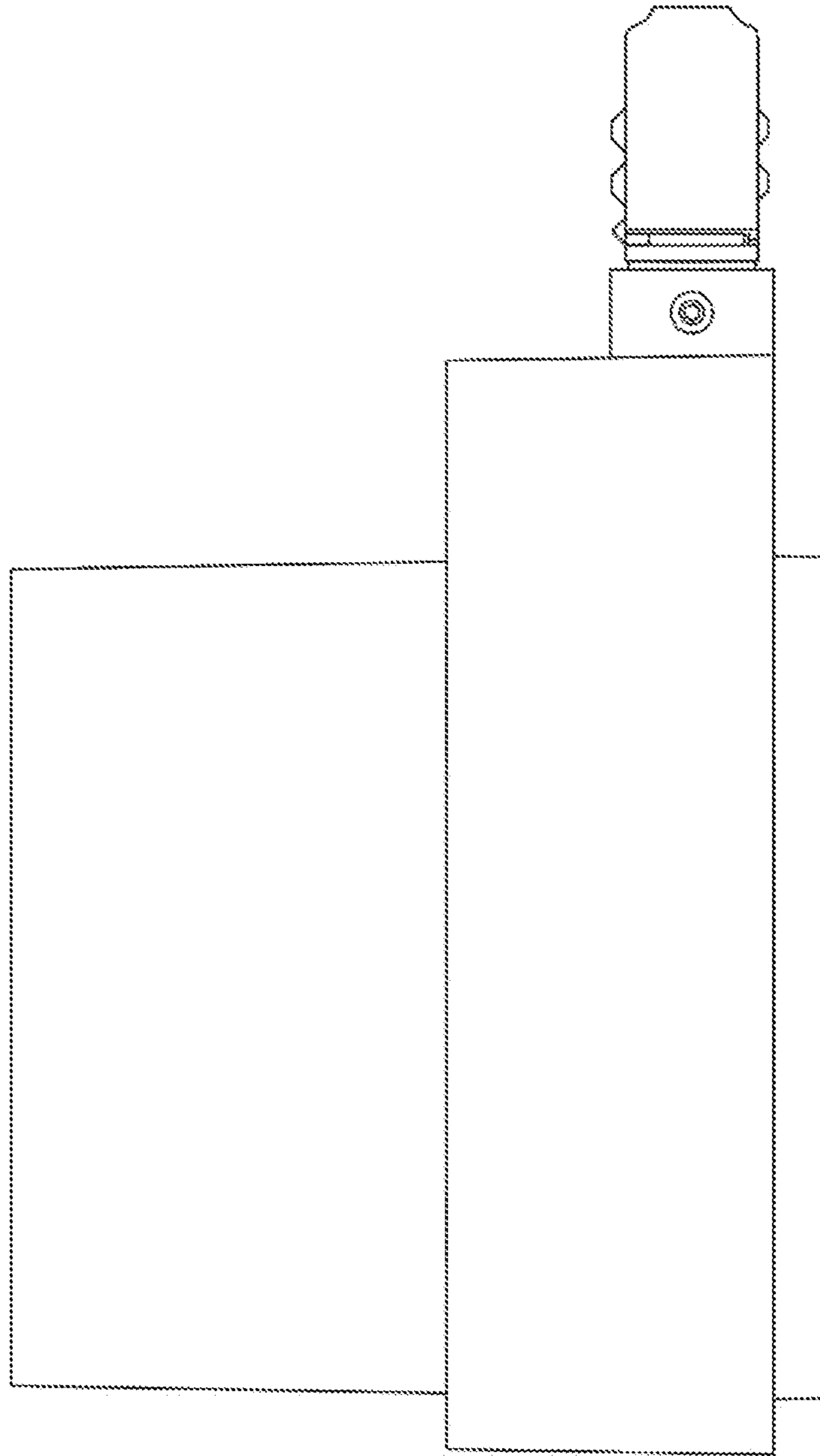
1.1



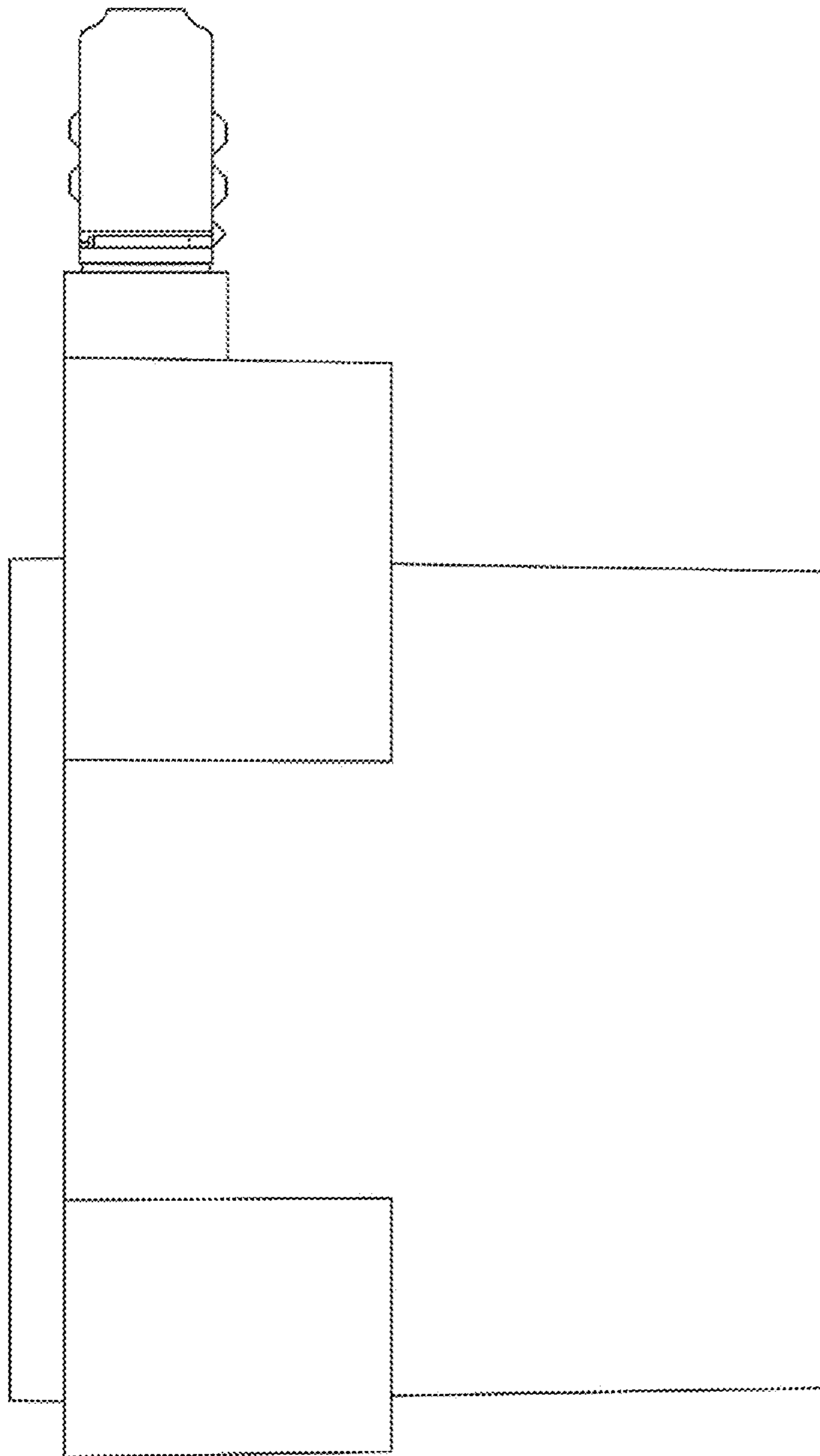
1.2



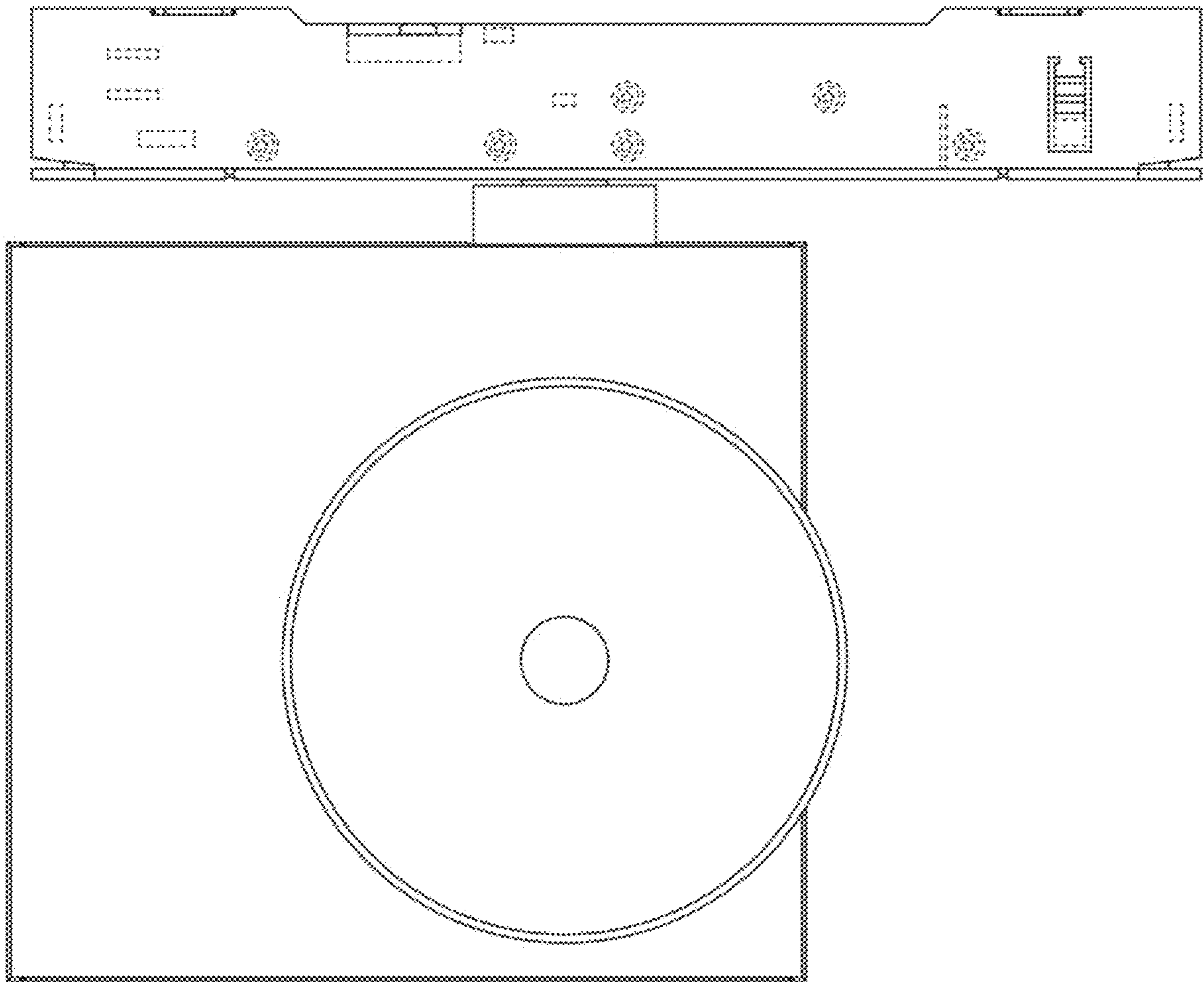
1.3



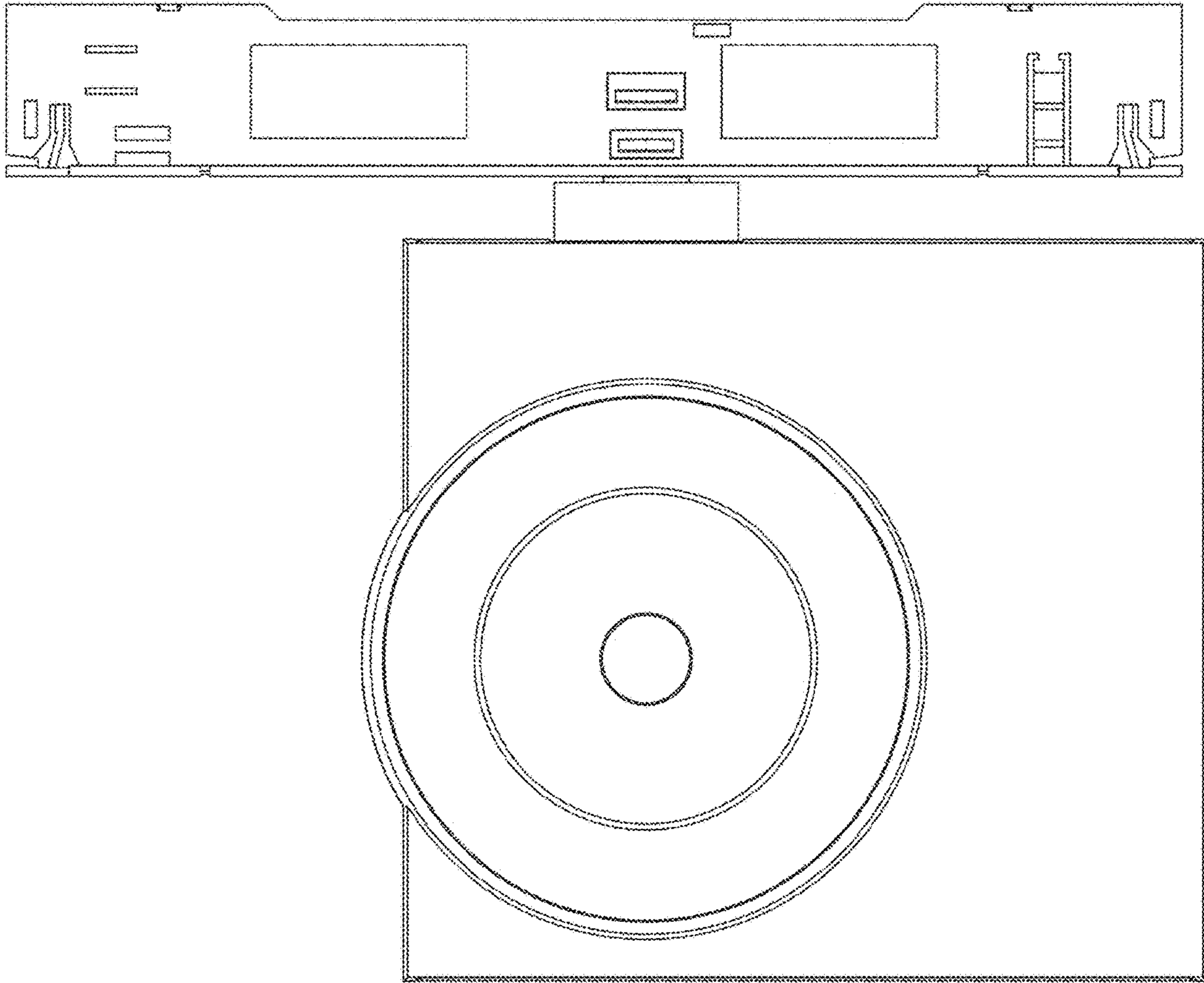
1.4



1.5



1.6



1.7

