



US00D958435S

(12) **United States Design Patent**
Guo

(10) **Patent No.:** **US D958,435 S**
(45) **Date of Patent:** **** Jul. 19, 2022**

(54) **MOTION SENSOR CEILING LIGHT**

(71) Applicant: **Aiping Guo**, Guangdong (CN)

(72) Inventor: **Aiping Guo**, Guangdong (CN)

(**) Term: **15 Years**

(21) Appl. No.: **29/741,958**

(22) Filed: **Jul. 17, 2020**

(51) **LOC (13) Cl.** **26-05**

(52) **U.S. Cl.**
USPC **D26/72**

(58) **Field of Classification Search**
USPC D26/24, 37-51, 60, 72, 81, 89-90, 93,
D26/113, 118-120
CPC F21Y 2115/10; F21Y 2105/16; F21Y
2105/00; F21S 8/026; F21S 8/04; F21S
8/06; F21S 8/043; F21S 8/03; F21S 8/033
See application file for complete search history.

(56) **References Cited**

U.S. PATENT DOCUMENTS

D634,055 S *	3/2011	Hokazono	D26/89
D641,098 S *	7/2011	Wildner	D26/89
D667,968 S *	9/2012	Shin	D26/1
D702,393 S *	4/2014	Ansierowicz	D26/89
D715,731 S *	10/2014	Nook	D13/102
D751,752 S *	3/2016	Dodge	D26/120
D759,286 S *	6/2016	Chen	D26/89
D759,287 S *	6/2016	Chen	D26/89
D779,105 S *	2/2017	Krueckeberg	D26/89
D783,195 S *	4/2017	Gan	D26/89
D817,776 S *	5/2018	Duan	D9/653
D834,235 S *	11/2018	Gambrel	D26/89
D875,972 S *	2/2020	Li	D26/24
D904,498 S *	12/2020	Lim	D16/237
D925,097 S *	7/2021	Mooar	D26/89

FOREIGN PATENT DOCUMENTS

KR 3020200066366 * 10/2021

OTHER PUBLICATIONS

Motion Sensor Light. By Yurnero. Dated Aug. 4, 2020. Found online [Nov. 30, 2021], <https://www.amazon.com/Operated-Yurnero-Activated-Wireless-Stairway/dp/B08F732QGV> (Year: 2020).*
Brilliant Evolution Wireless Motion Sensor LED Ceiling Light. By Brilliant Evolution. Dated Jun. 27, 2018. Found online [Nov. 30, 2021]. <https://www.amazon.com/Brilliant-Evolution-Wireless-Cordless-Waterproof/dp/B07F2RFPY5> (Year: 2018).*

* cited by examiner

Primary Examiner — Marissa J Cash
Assistant Examiner — William B Melliar

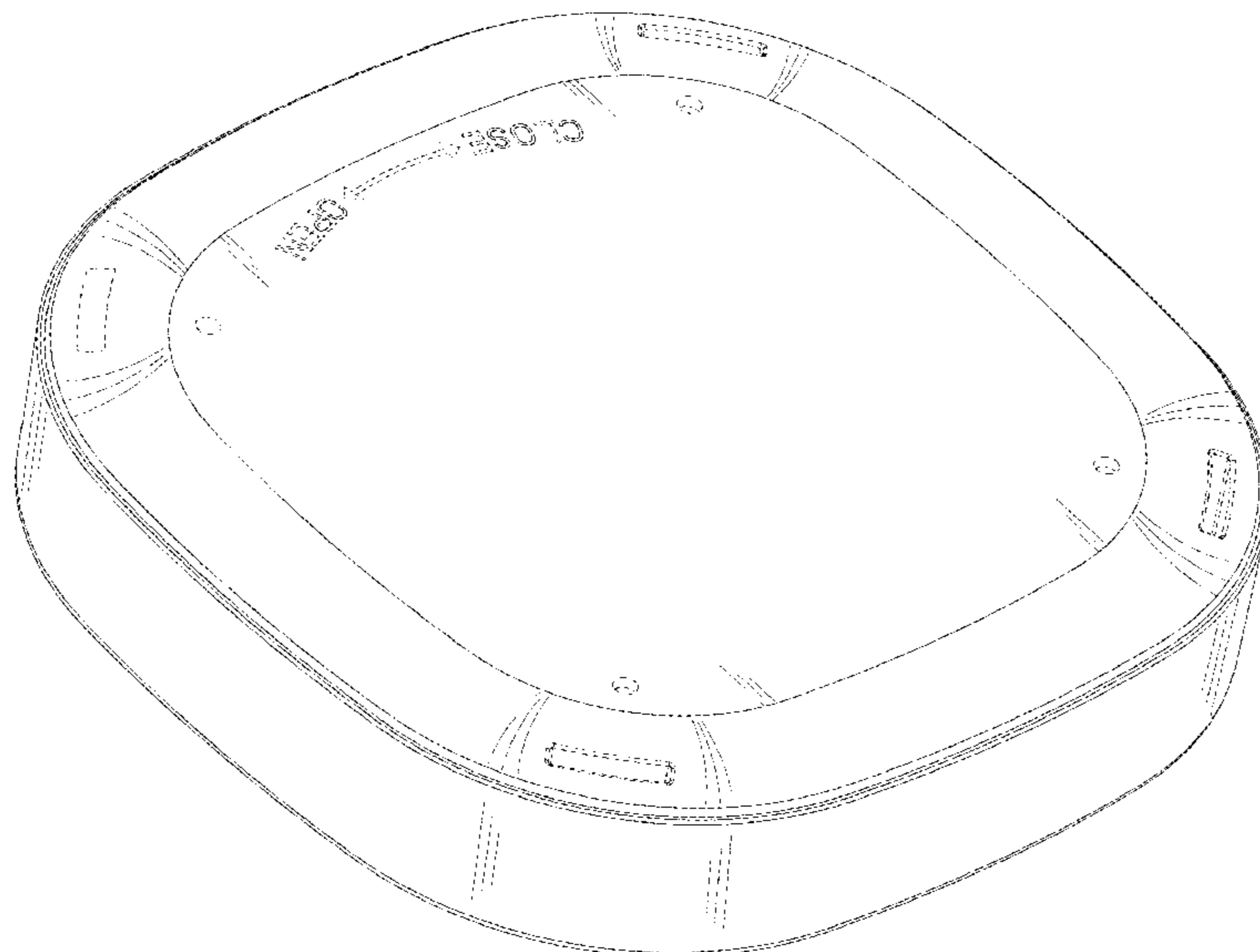
(57) **CLAIM**

The ornamental design for a motion sensor ceiling light, as shown and described.

DESCRIPTION

FIG. 1 is a perspective view of a motion sensor ceiling light showing my new design;
FIG. 2 is a front elevational view thereof;
FIG. 3 is a rear elevational view thereof;
FIG. 4 is a left side elevational view thereof;
FIG. 5 is a right side elevational view thereof;
FIG. 6 is a top plan view thereof;
FIG. 7 is a bottom plan view thereof;
FIG. 8 is a bottom side perspective view thereof;
FIG. 9 is an enlarged view in FIG. 2; and,
FIG. 10 is an enlarged view in FIG. 8.
The broken lines in the drawings depict portions of the ceiling light that form no part of the claimed design. The additional broken lines shown surrounding the detail views in FIGS. 2 and 8-10 are for annotative purposes only and form no part thereof.

1 Claim, 10 Drawing Sheets



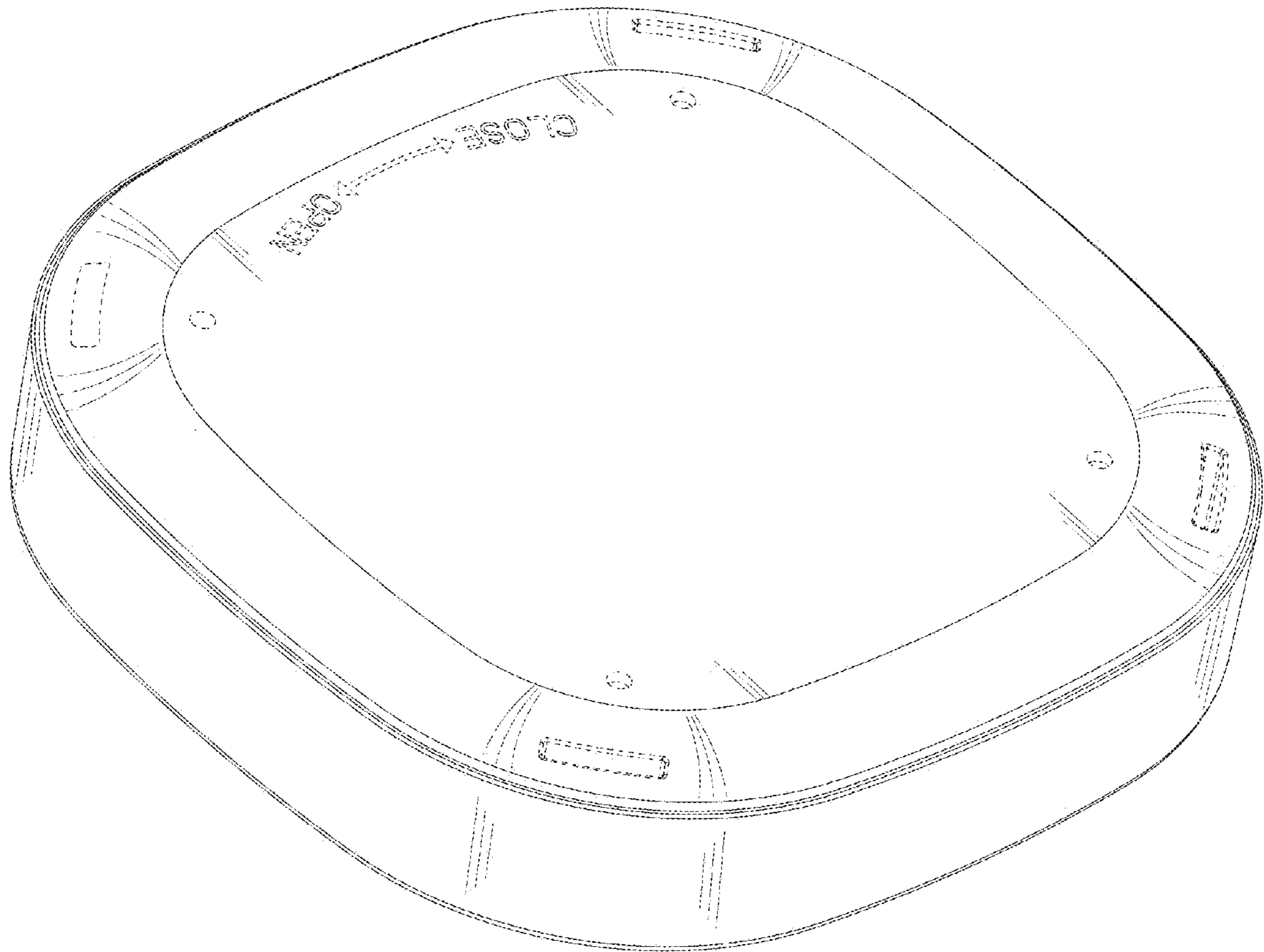
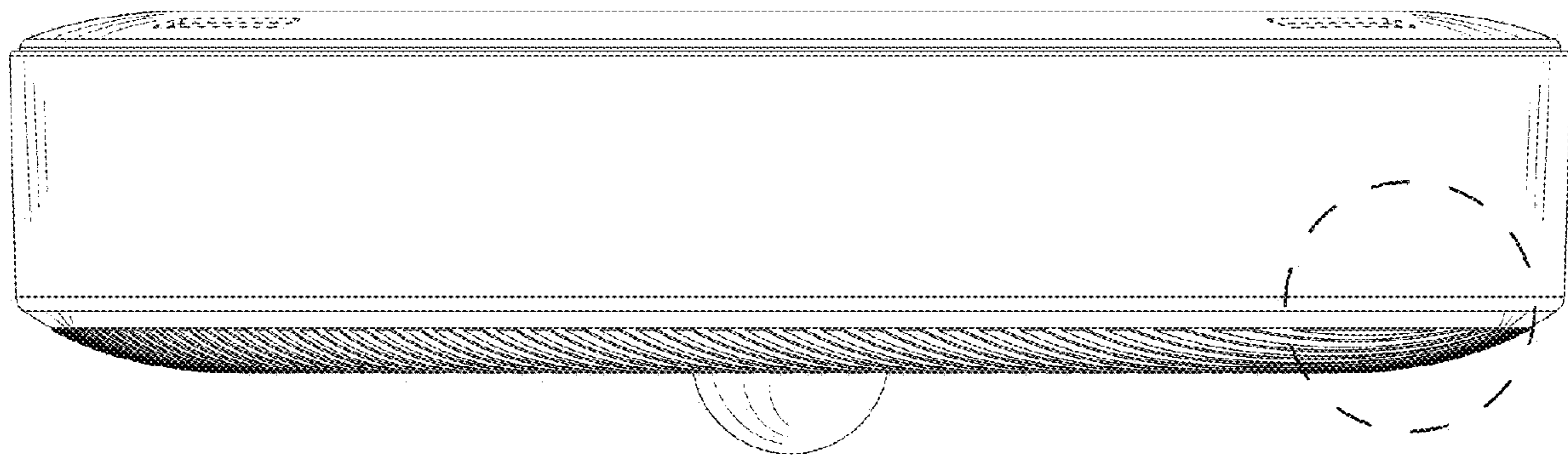


FIG. 1



~FIG. 9

FIG. 2

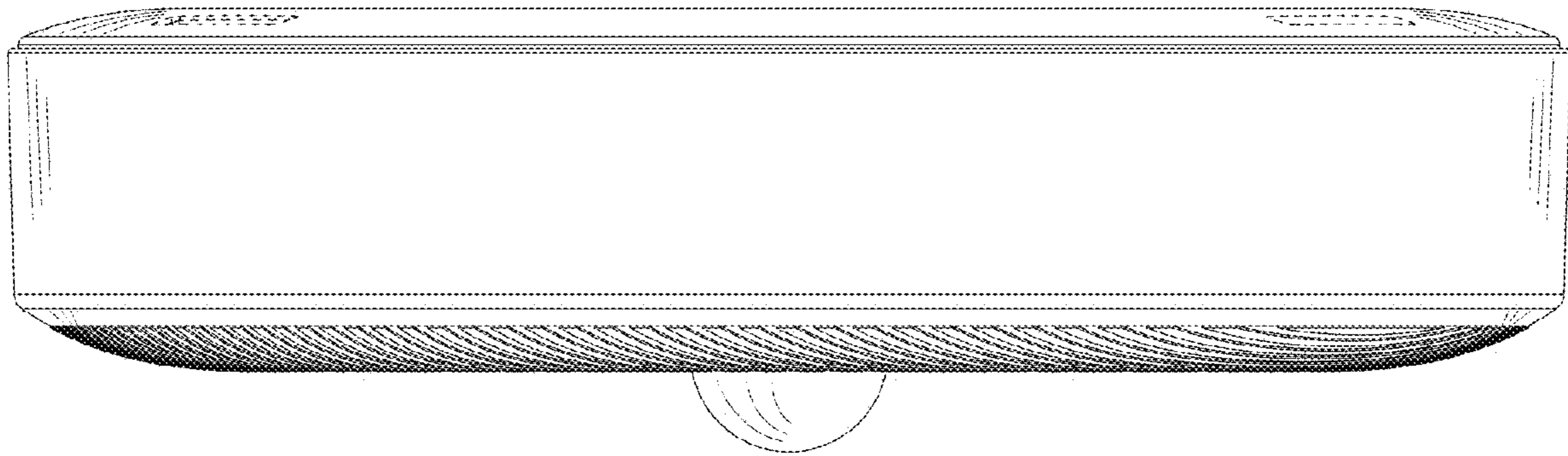


FIG. 3

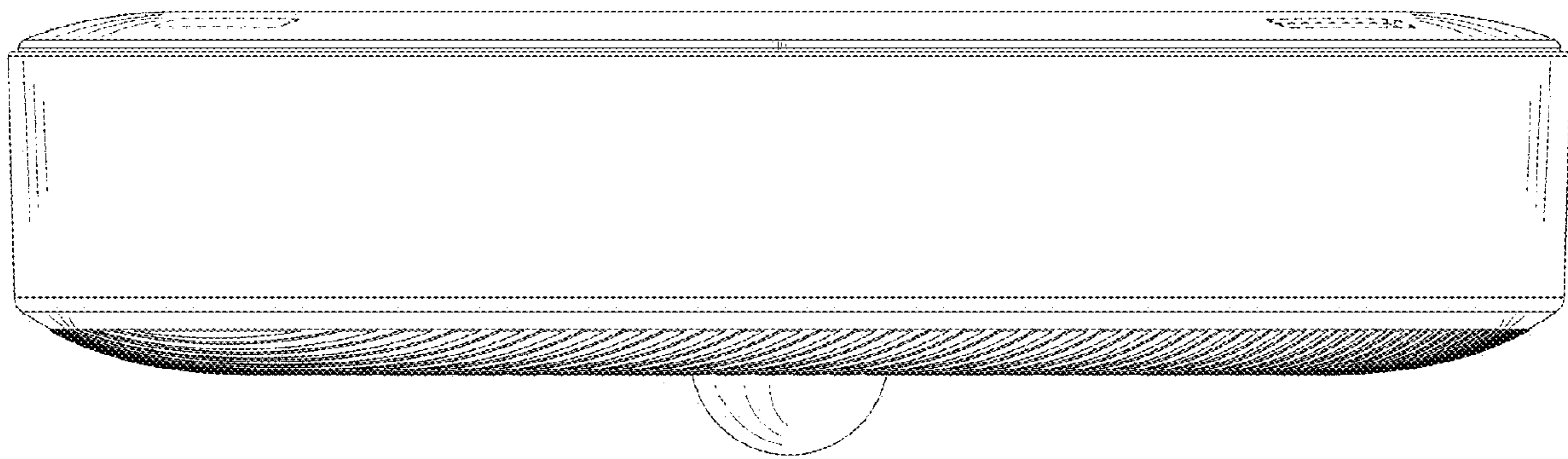


FIG. 4

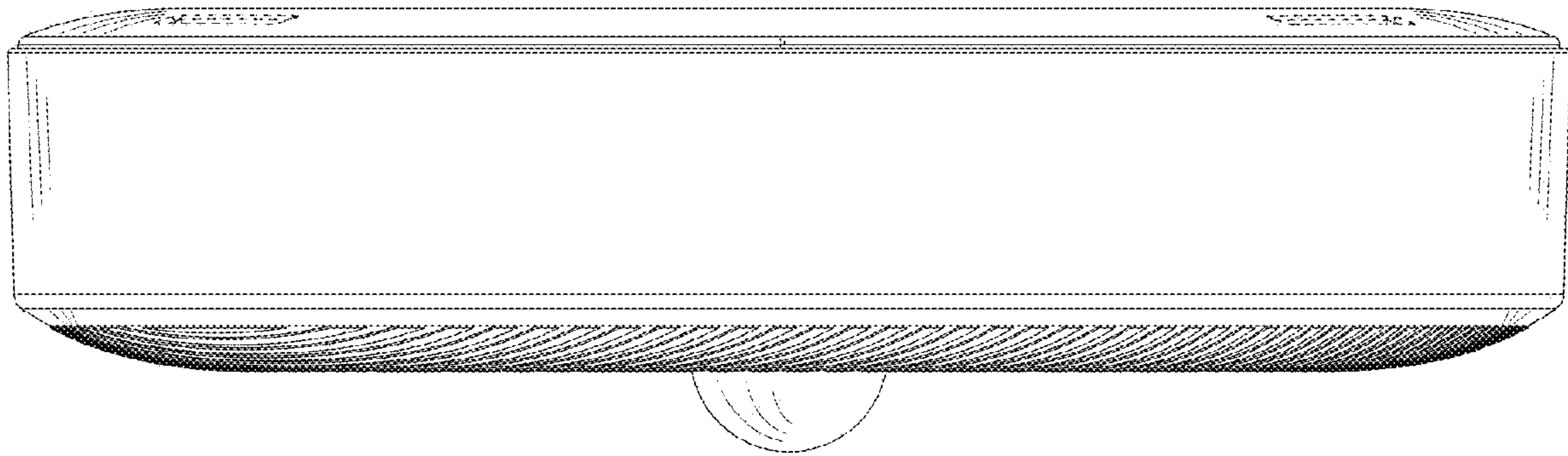


FIG. 5

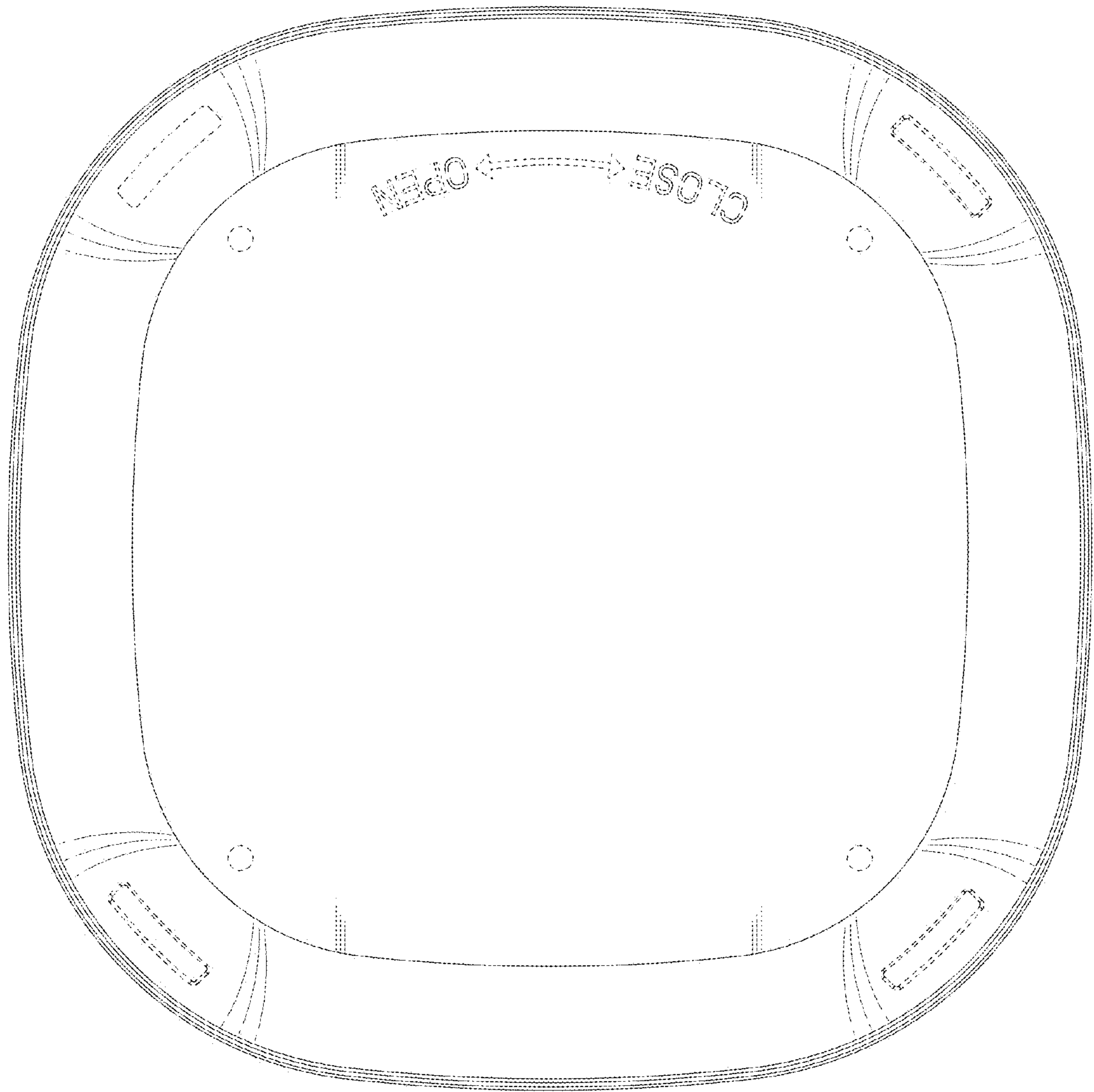


FIG. 6

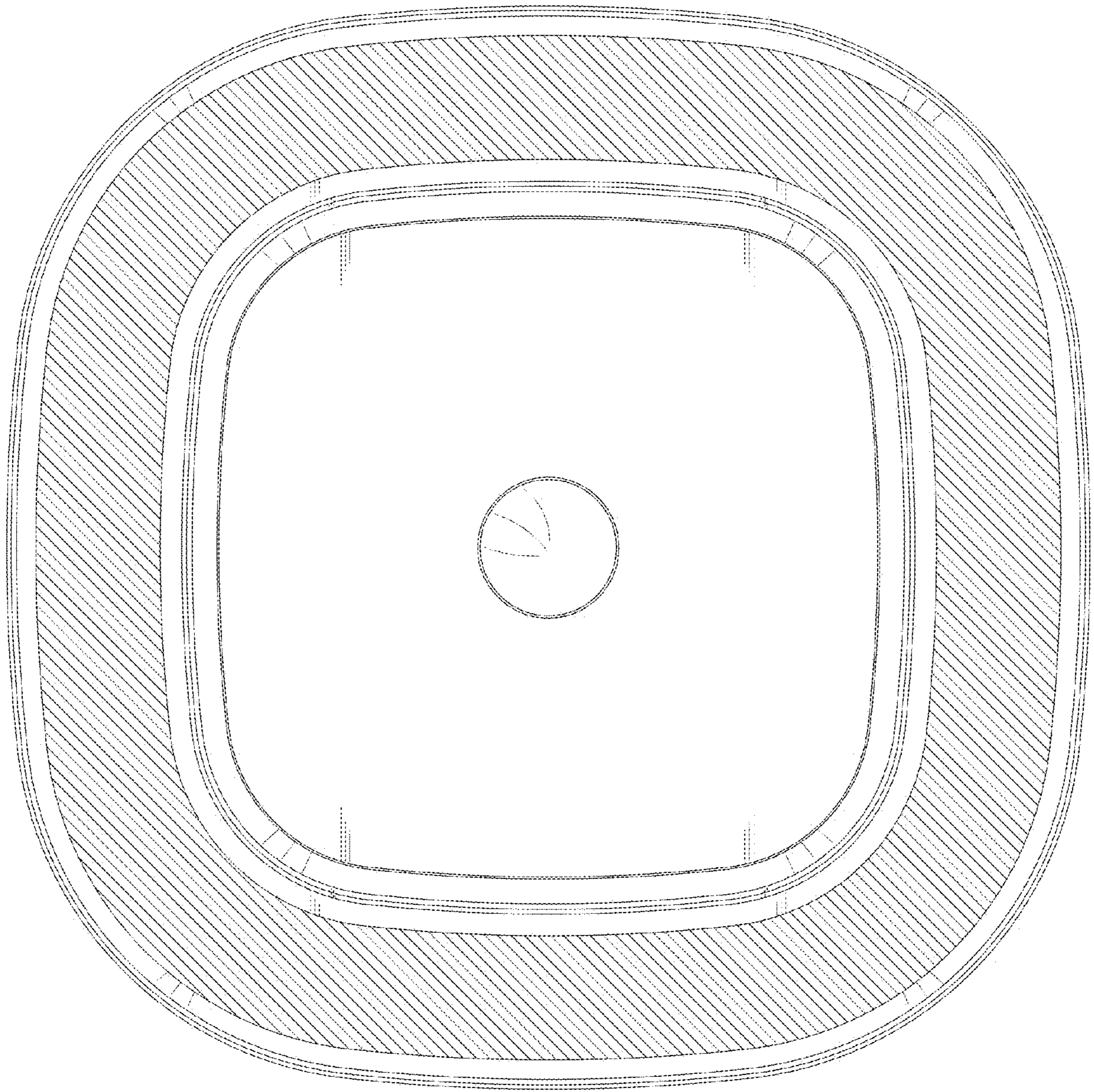


FIG. 7

FIG.10~

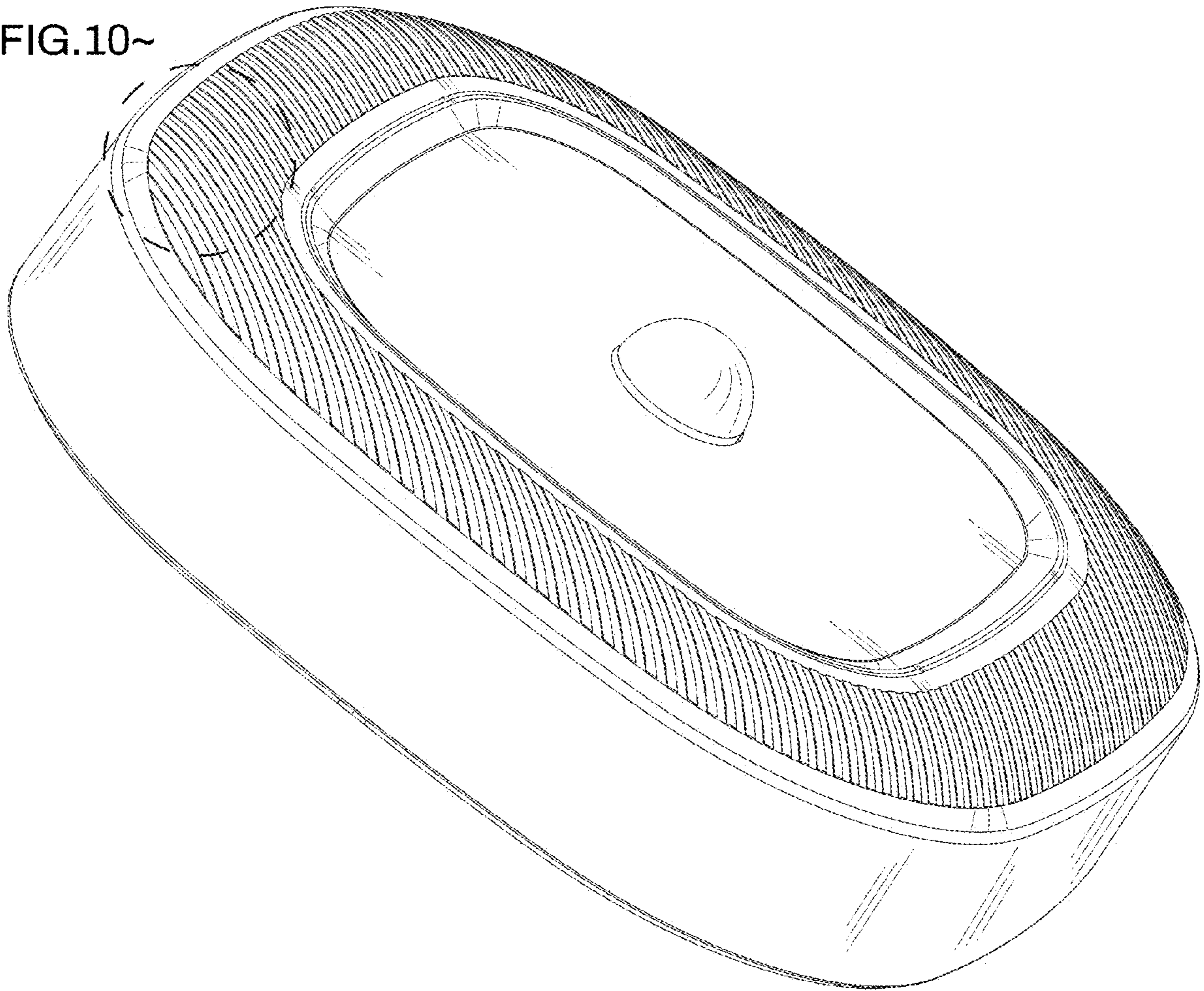


FIG. 8

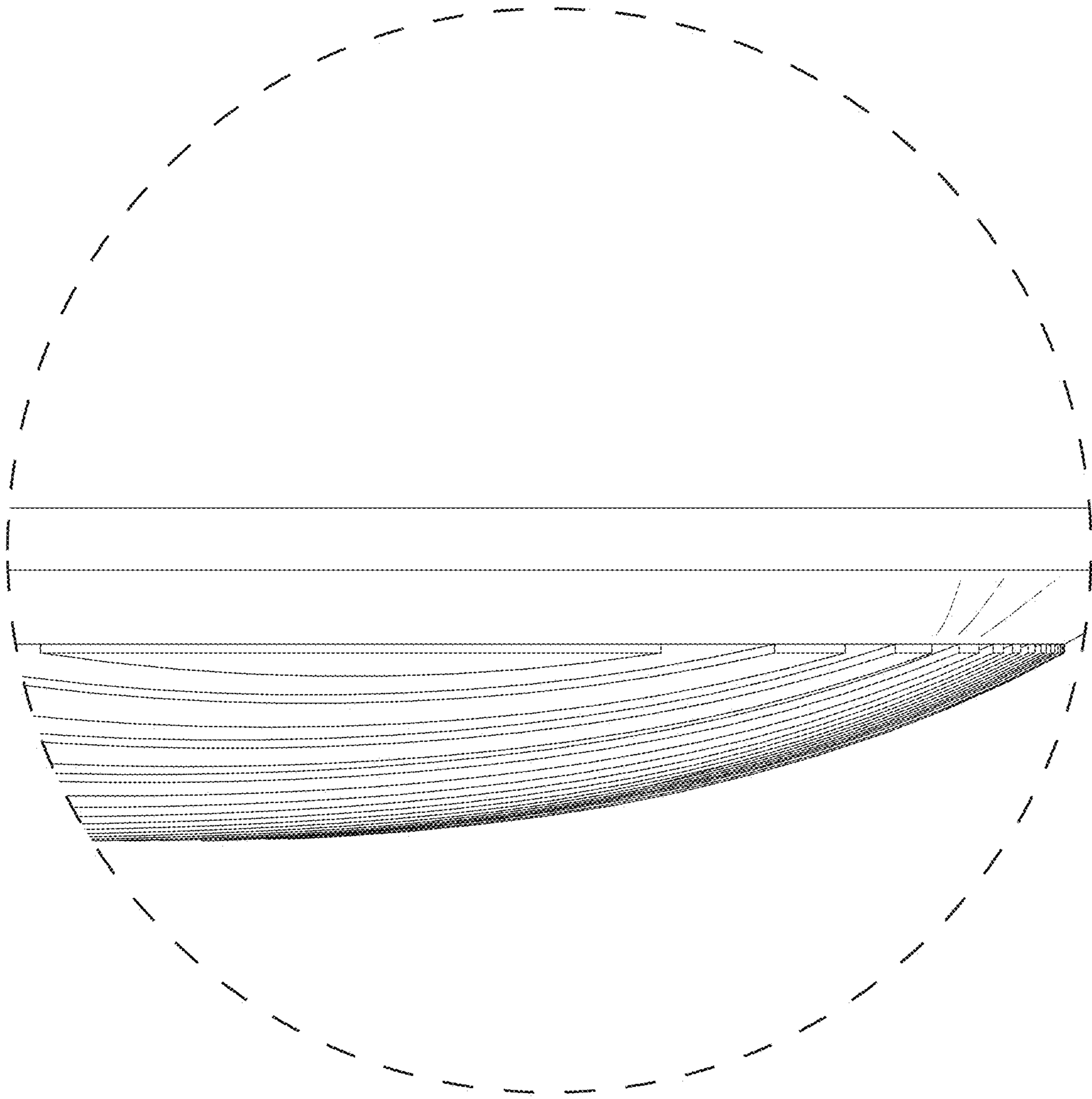


FIG. 9

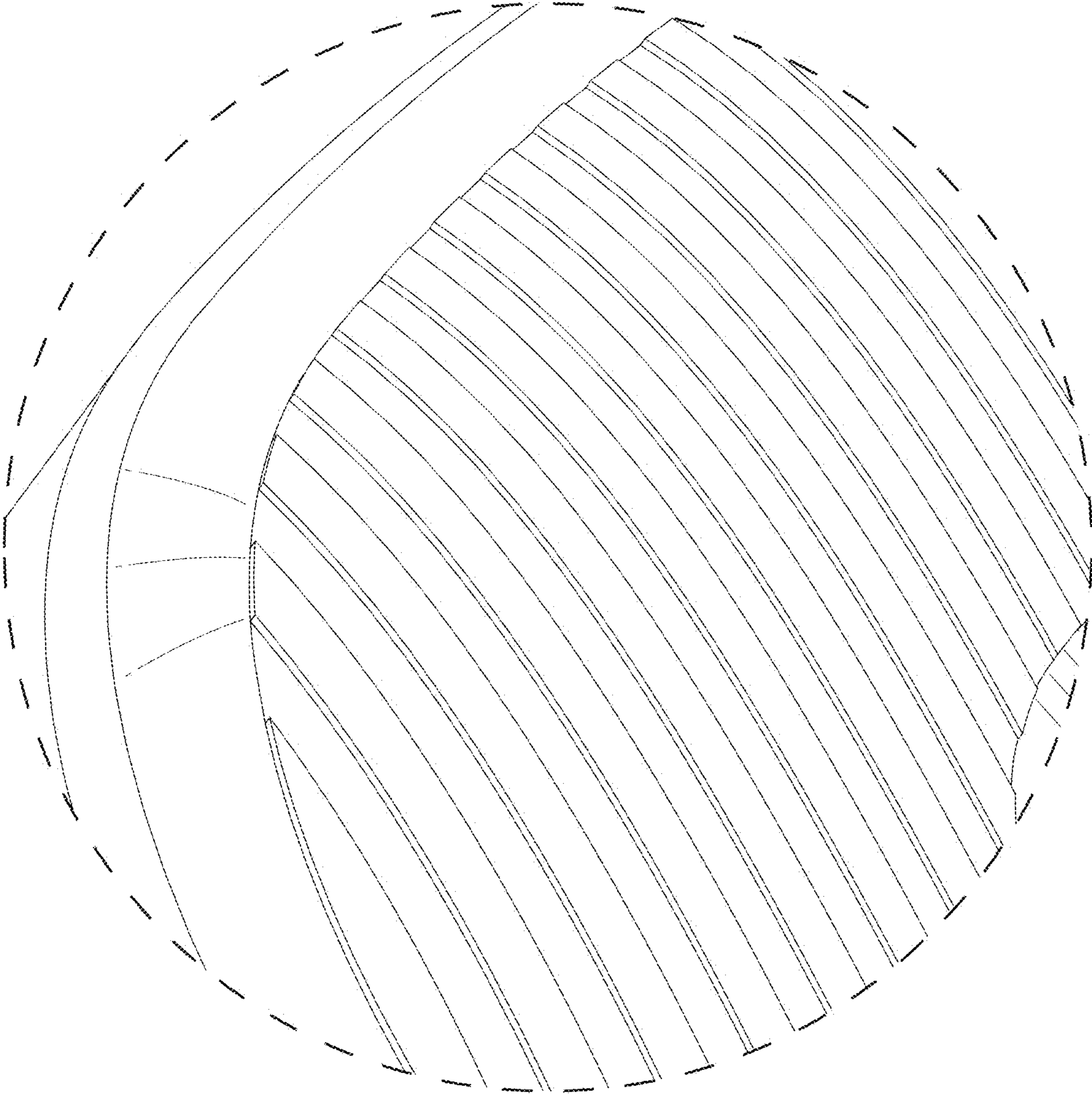


FIG. 10