



US00D958433S

(12) **United States Design Patent**  
**Gao**

(10) **Patent No.:** **US D958,433 S**  
(45) **Date of Patent:** **\*\* Jul. 19, 2022**

(54) **PROJECTION LAMP**

FOREIGN PATENT DOCUMENTS

(71) Applicant: **Haiying Gao**, Shantou (CN)

EM 008842850-0001 \* 1/2022

(72) Inventor: **Haiying Gao**, Shantou (CN)

OTHER PUBLICATIONS

(\*\*) Term: **15 Years**

(21) Appl. No.: **29/798,443**

(22) Filed: **Jul. 8, 2021**

(51) **LOC (13) Cl.** ..... **26-05**

(52) **U.S. Cl.**  
USPC ..... **D26/63**

(58) **Field of Classification Search**  
USPC ..... D26/1, 24, 61, 63, 93  
CPC ..... F21L 2/00; F21L 4/00; F21L 4/02; F21L 4/025; F21L 4/027; F21L 14/00; F21S 2/00; F21S 8/03; F21S 8/033; F21S 8/035; F21S 6/00; F21S 6/002; F21S 6/004; F21S 8/036; F21S 8/037; F21S 9/00; F21S 9/02; F21V 21/10; F21V 21/108; F21W 2121/008

See application file for complete search history.

Amazon, "LED Christmas Projector Lights", first available Aug. 23, 2018. <https://www.amazon.com/dp/B07GSRWXQ9/> (Year: 2018).\*  
Amazon, "Outry Christmas Projector Lights", first available Sep. 4, 2019. <https://www.amazon.com/dp/B07X8VQH55/> (Year: 2019).\*  
Amazon, "Outdoor Holiday Lights", first available Aug. 21, 2021. <https://www.amazon.com/dp/B0999FR27Y/> (Year: 2021).\*  
Amazon, "Joycabin Christmas Snowflake Projector Lights", first available Nov. 29, 2021. (<https://www.amazon.com/dp/B09MQ2C87J/>) (Year: 2021).\*

\* cited by examiner

*Primary Examiner* — Lauren D McVey  
*Assistant Examiner* — Justin A Johnson

(56) **References Cited**

U.S. PATENT DOCUMENTS

|                   |         |              |       |              |
|-------------------|---------|--------------|-------|--------------|
| D269,464 S *      | 6/1983  | Caroli       | ..... | D26/93       |
| D320,462 S *      | 10/1991 | Williams     | ..... | D26/35       |
| D447,262 S *      | 8/2001  | Leen         | ..... | D26/65       |
| D574,986 S *      | 8/2008  | Kumthampinij | ..... | D26/60       |
| D597,237 S *      | 7/2009  | Kumthampinij | ..... | D26/39       |
| D640,409 S        | 6/2011  | Lin          |       |              |
| D646,818 S *      | 10/2011 | Ueda         | ..... | D26/60       |
| D656,662 S *      | 3/2012  | Lehman       | ..... | D26/118      |
| D660,489 S *      | 5/2012  | Ueda         | ..... | D26/60       |
| D697,244 S *      | 1/2014  | McKechnie    | ..... | D26/60       |
| D716,986 S *      | 11/2014 | Ng           | ..... | D26/60       |
| D745,730 S *      | 12/2015 | Kunzendorf   | ..... | D26/39       |
| D846,784 S        | 4/2019  | Luo          |       |              |
| D856,564 S *      | 8/2019  | Liu          | ..... | D26/63       |
| 2016/0341407 A1 * | 11/2016 | Manfred      | ..... | F21V 21/0965 |

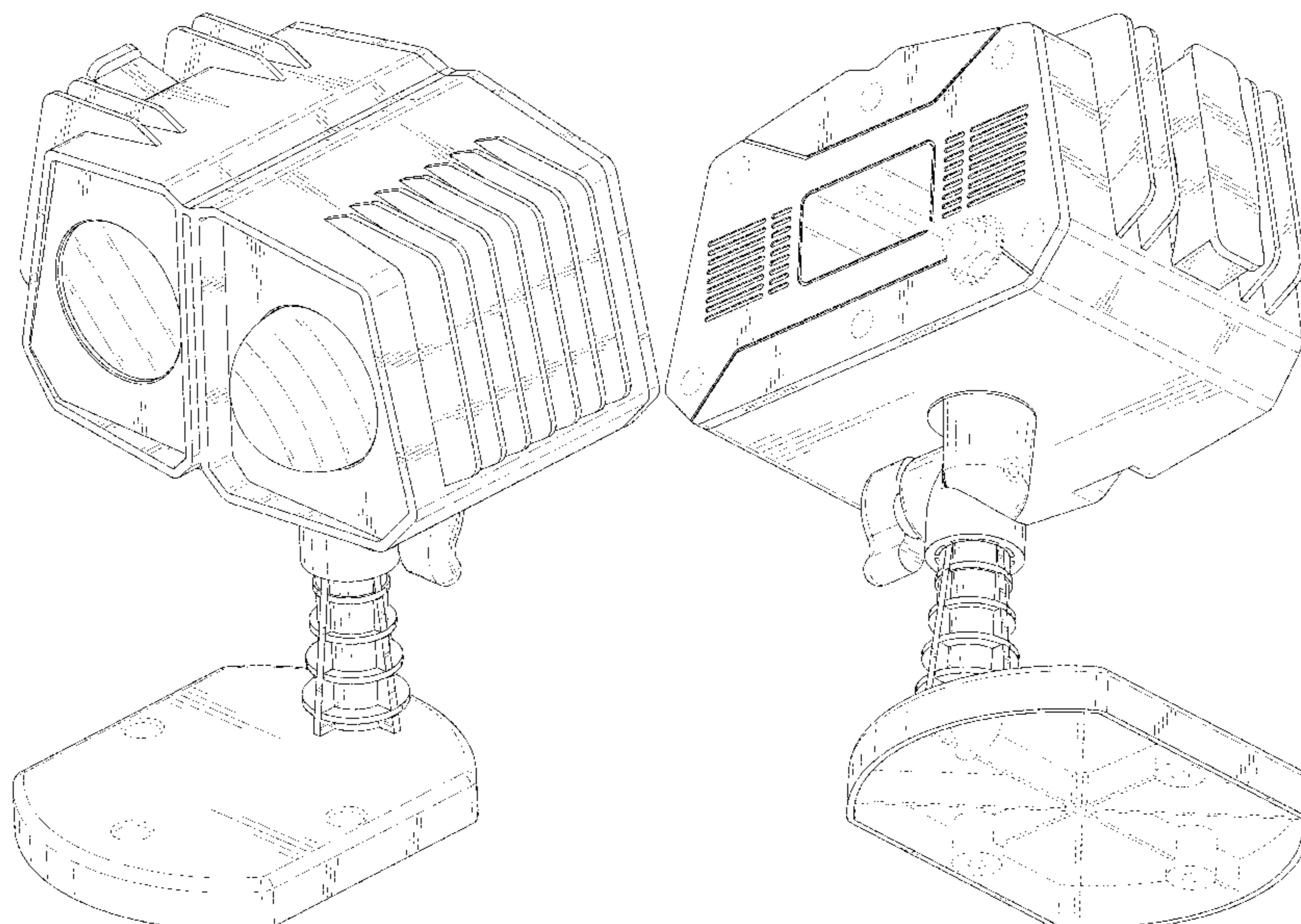
(57) **CLAIM**

The ornamental design for a projection lamp, as shown and described.

**DESCRIPTION**

FIG. 1 is a perspective view of a projection lamp showing my new design;  
FIG. 2 is another perspective view thereof;  
FIG. 3 is a front elevational view thereof;  
FIG. 4 is a rear elevational view thereof;  
FIG. 5 is a left side elevational view thereof;  
FIG. 6 is a right side elevational view thereof;  
FIG. 7 is a top plan view thereof; and,  
FIG. 8 is a bottom plan view thereof.  
The broken lines in the drawings depict portions of the projection lamp that form no part of the claimed design.

**1 Claim, 8 Drawing Sheets**



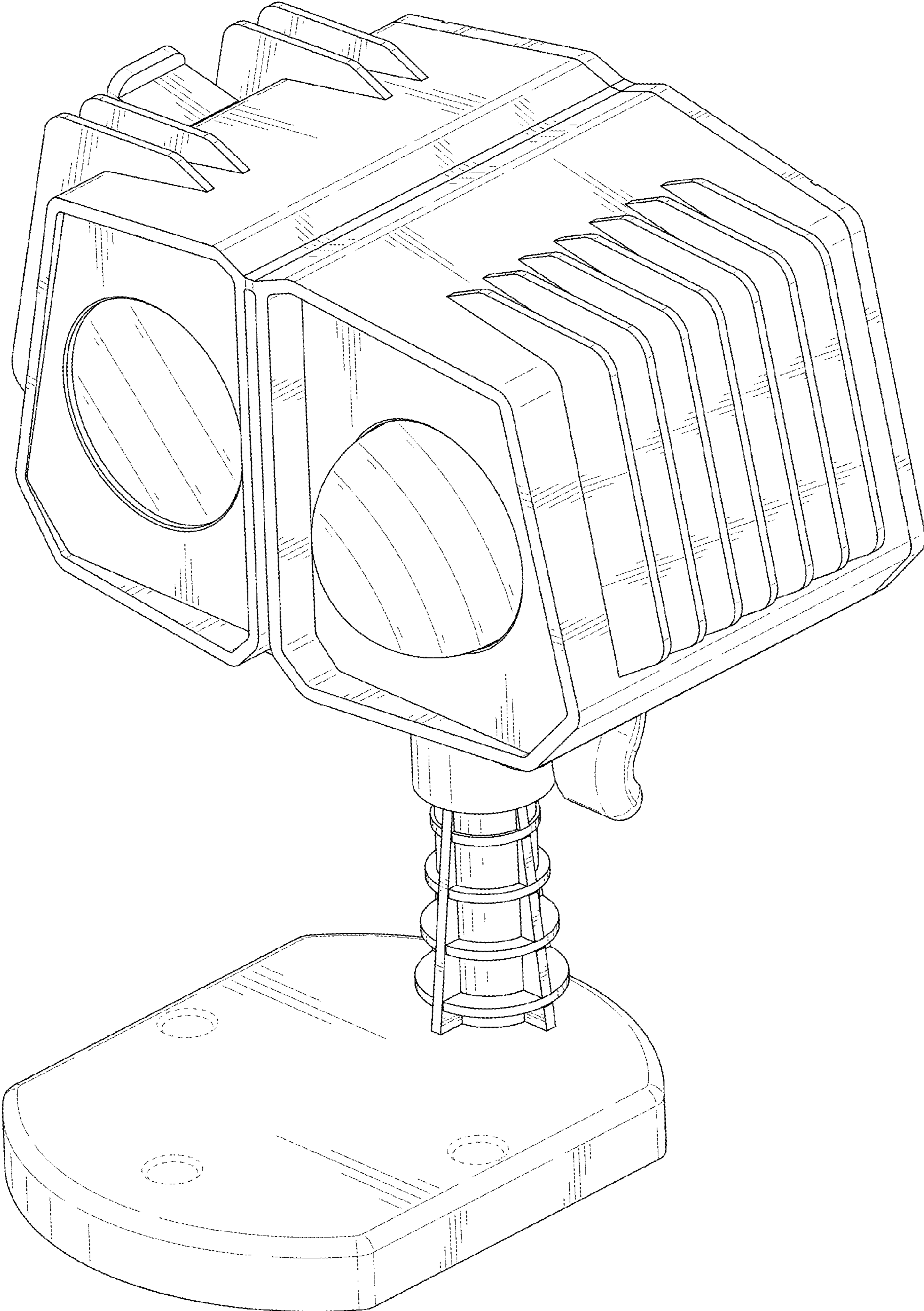


FIG. 1



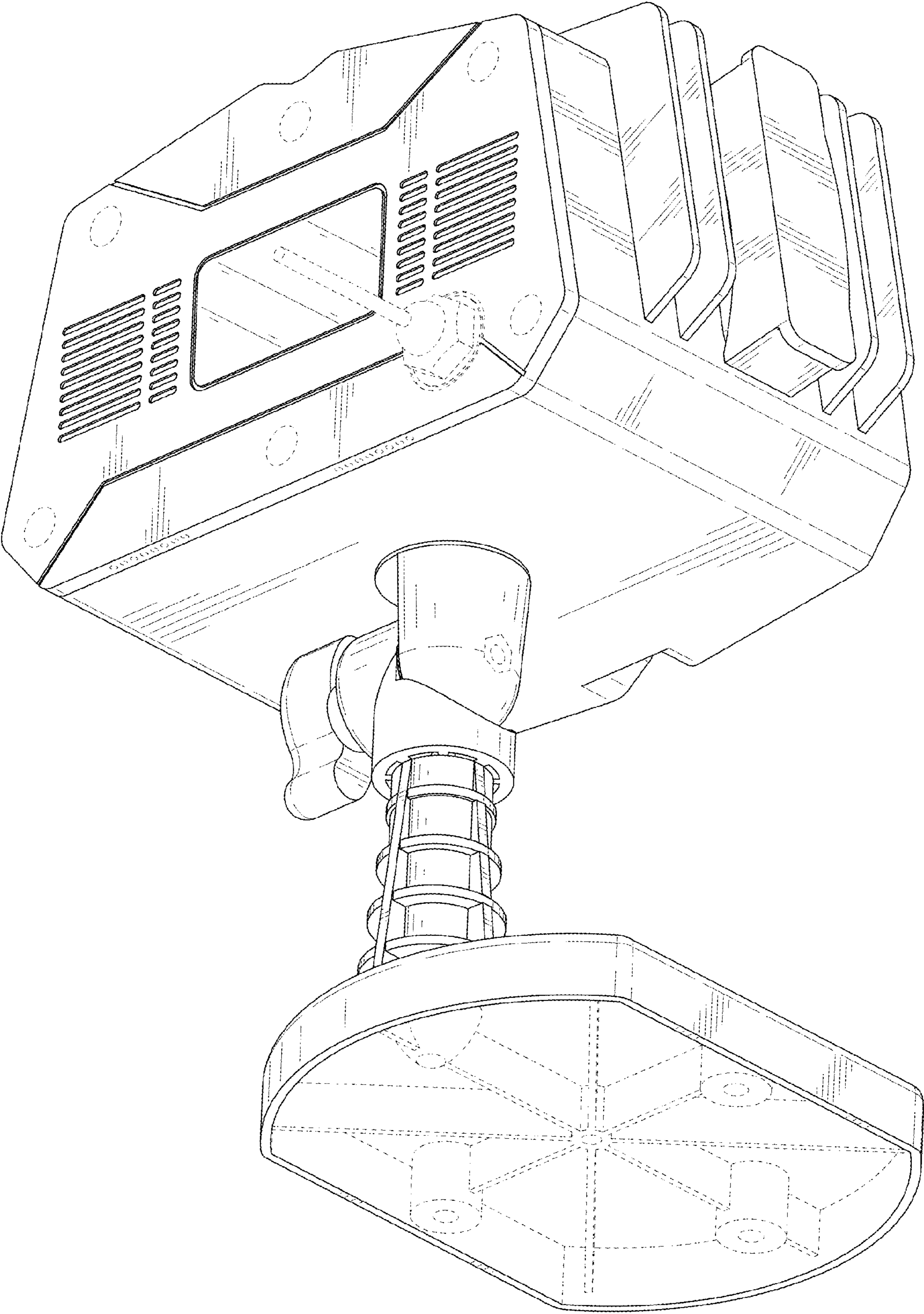


FIG. 2

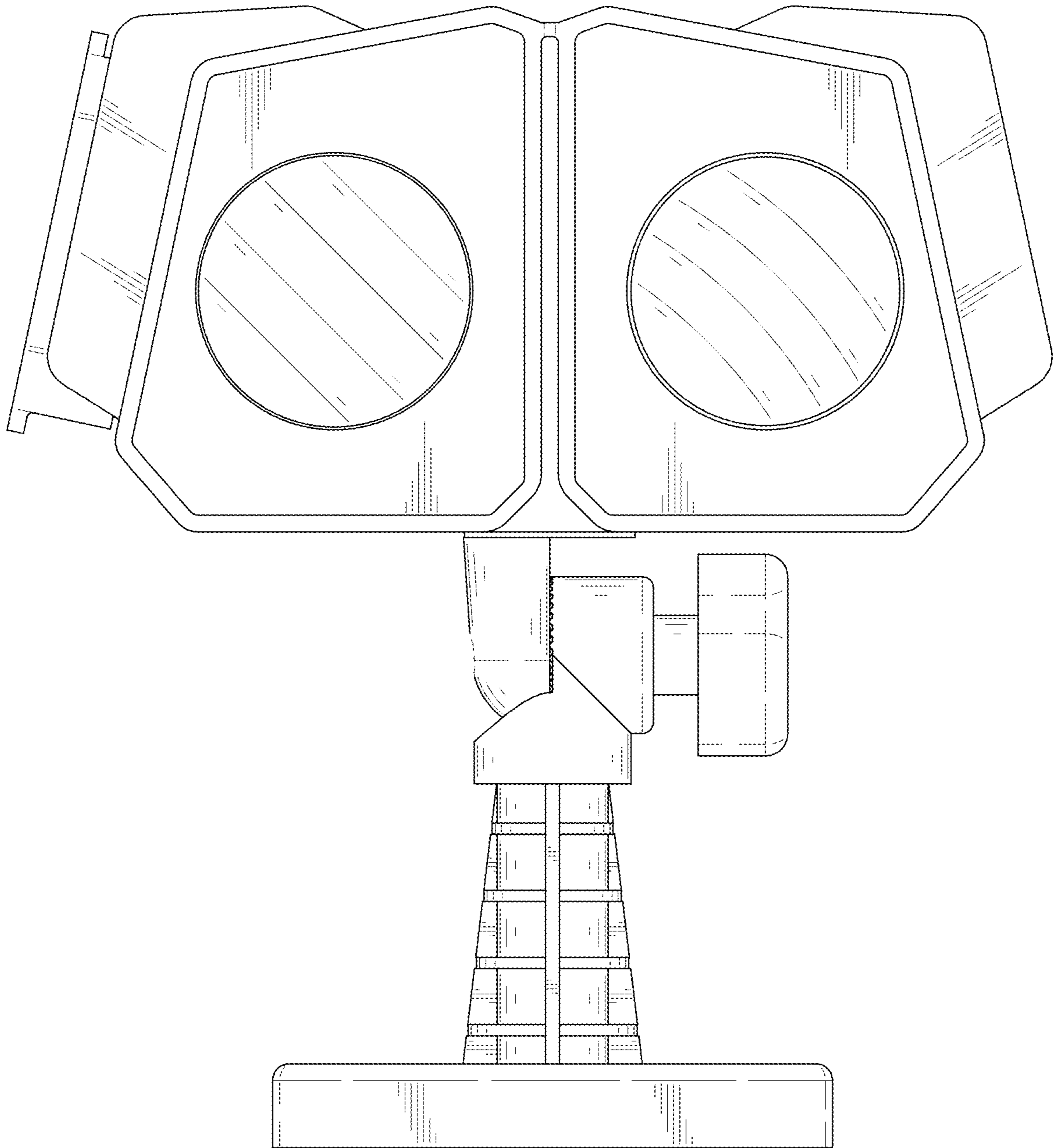


FIG. 3

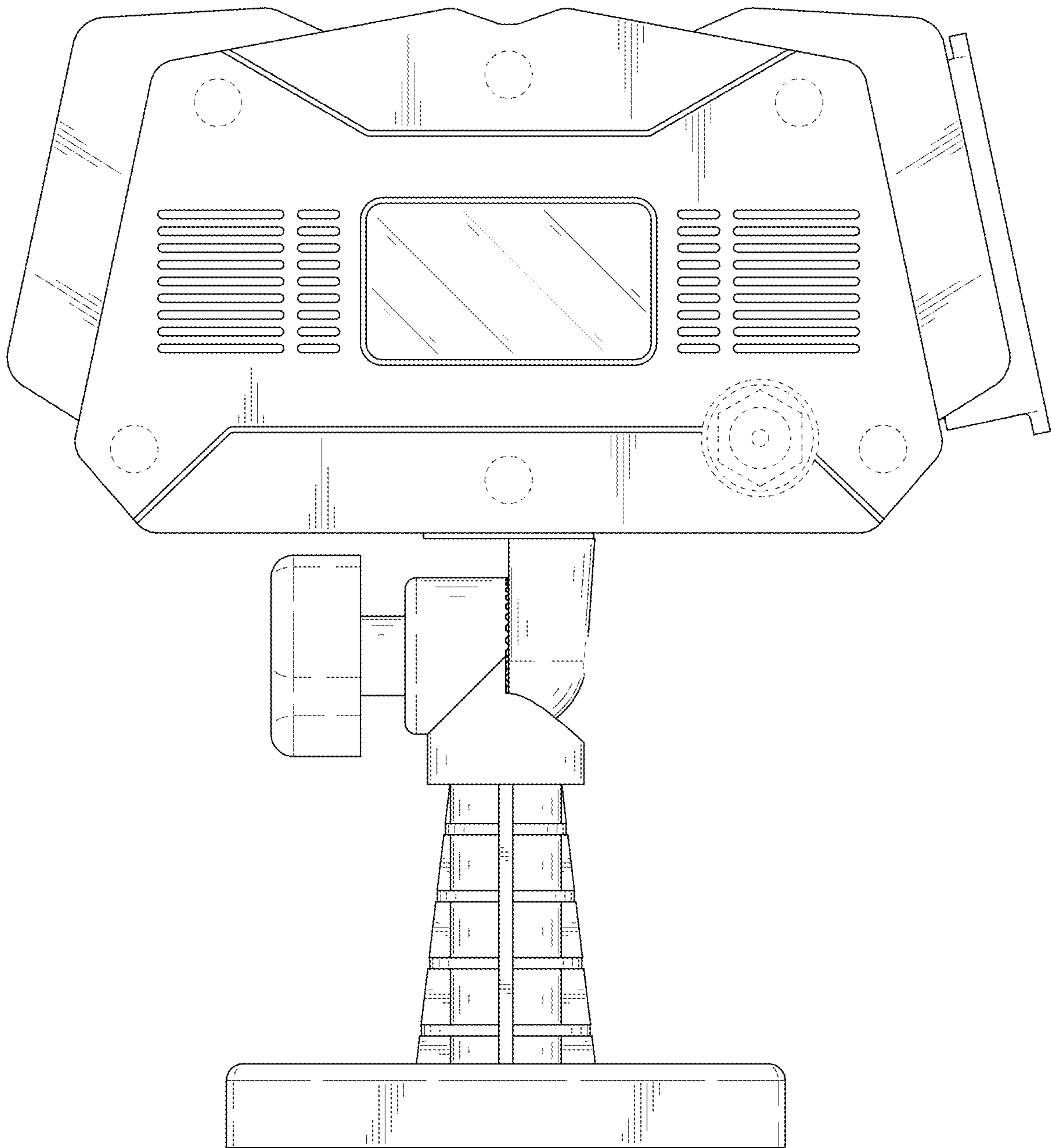


FIG. 4

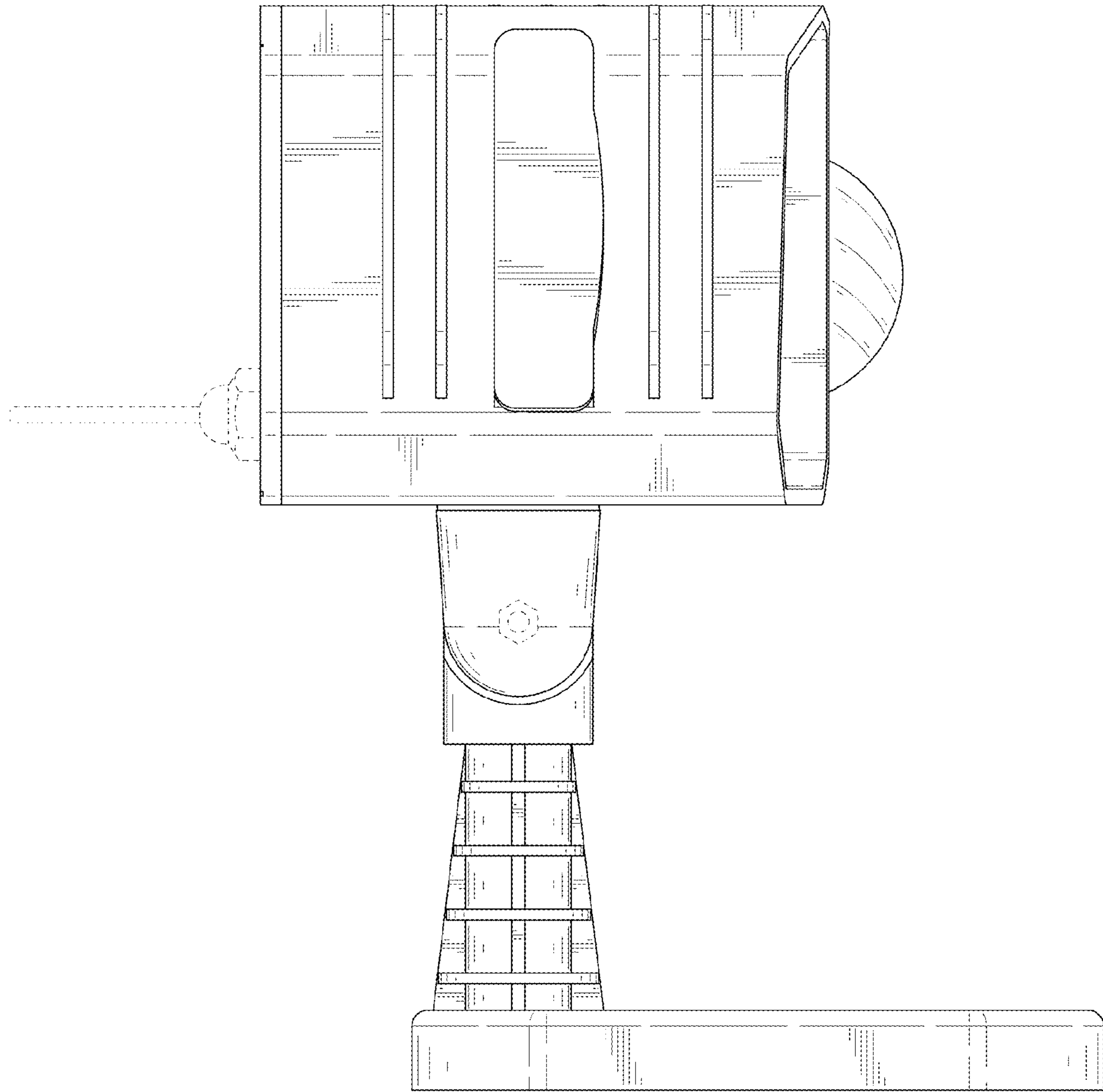


FIG. 5

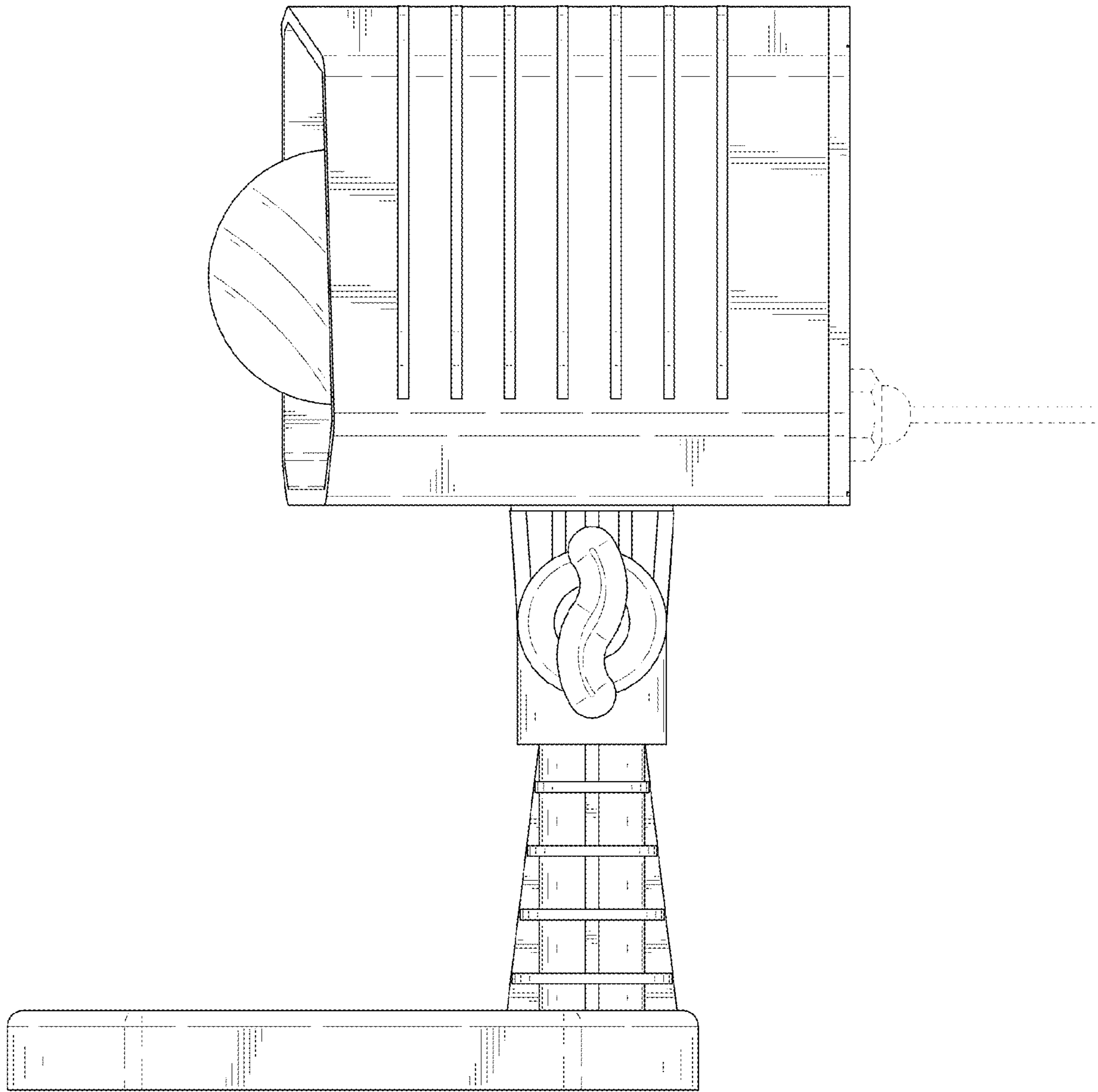


FIG. 6



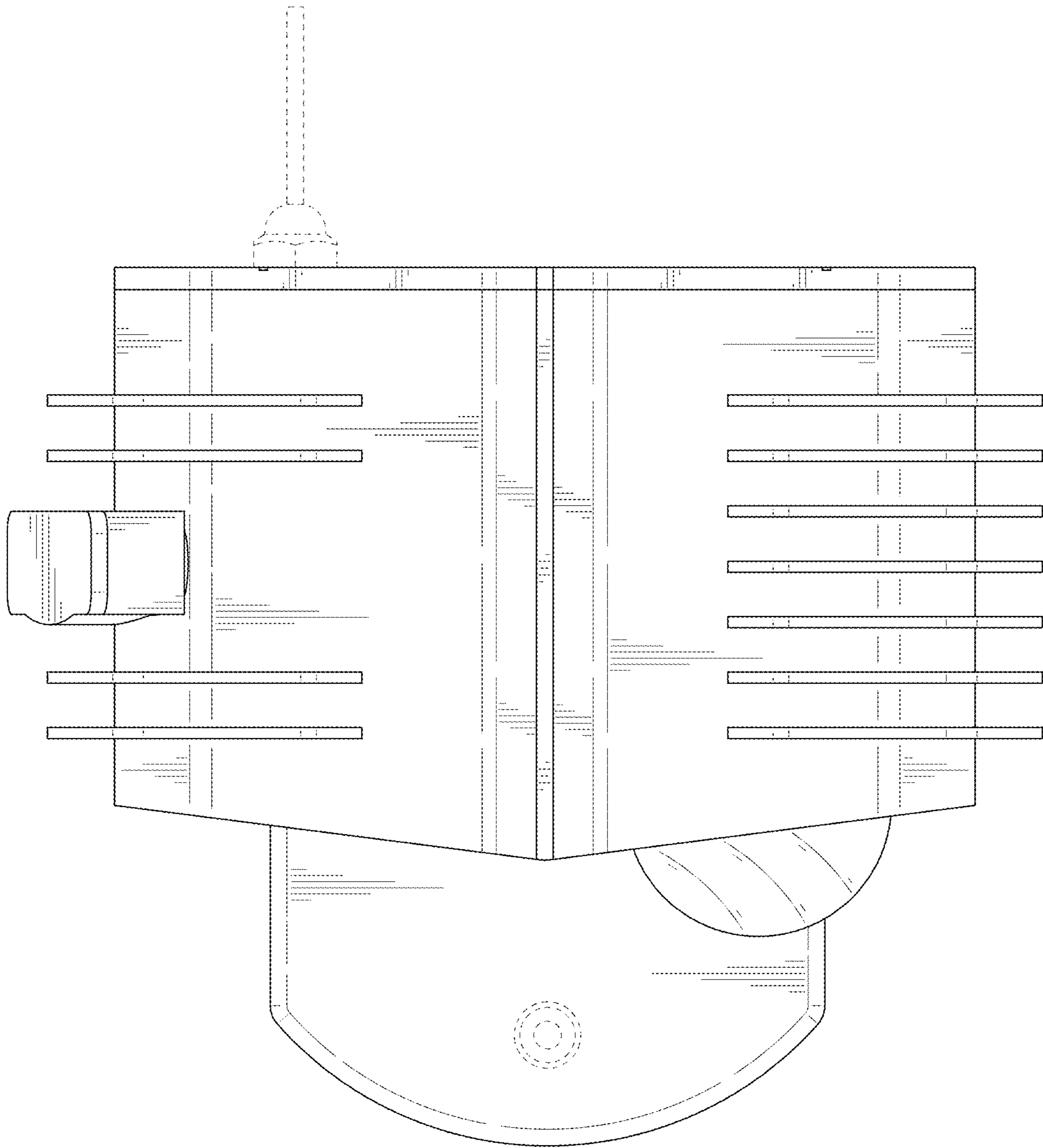


FIG. 7



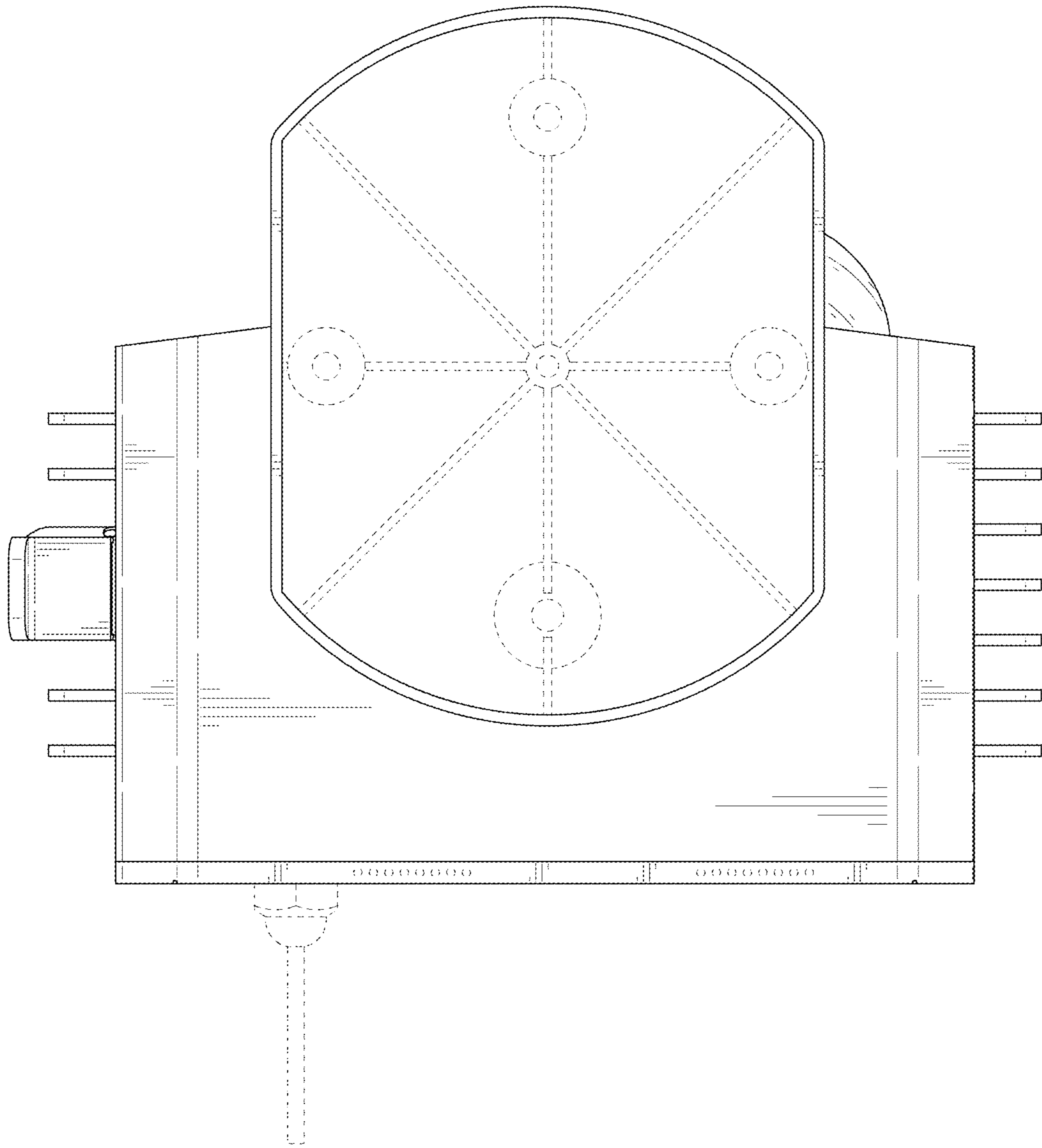


FIG. 8