



US00D958432S

(12) **United States Design Patent**  
**Yang**

(10) **Patent No.:** **US D958,432 S**  
(45) **Date of Patent:** **\*\* Jul. 19, 2022**

- (54) **LIGHT**
- (71) Applicant: **Junpeng Yang**, Zhongshan (CN)
- (72) Inventor: **Junpeng Yang**, Zhongshan (CN)
- (\*\*) Term: **15 Years**
- (21) Appl. No.: **29/800,358**
- (22) Filed: **Jul. 20, 2021**
- (51) **LOC (13) Cl.** ..... **26-05**
- (52) **U.S. Cl.**  
USPC ..... **D26/62**
- (58) **Field of Classification Search**  
USPC ..... D26/24, 37, 38, 43, 44, 61, 62, 63, 65,  
D26/87, 93, 106, 107, 108, 110  
CPC .... F21S 8/08; F21S 8/032; F21S 8/035; F21S  
8/036; F21S 6/00; F21S 6/002; F21S  
6/003; F21S 6/006; F21W 2131/30; F21V  
21/06; F21V 21/32; F21V 21/145  
See application file for complete search history.

(56) **References Cited**

**U.S. PATENT DOCUMENTS**

D152,584 S *	2/1949	Becker	.....	D26/43
D190,295 S *	5/1961	Becker	.....	D26/43
D192,935 S *	5/1962	Becker	.....	D26/43
D205,463 S *	8/1966	Zelenko	.....	D26/62
D371,855 S *	7/1996	Heun	.....	D26/43
D390,985 S *	2/1998	Shiau	.....	D26/43
D409,779 S *	5/1999	Schaak	.....	D26/62
D565,218 S *	3/2008	Chien	.....	D26/43
D600,842 S *	9/2009	Shiu	.....	D26/44
D608,925 S *	1/2010	Hodgson	.....	D26/62
D632,413 S *	2/2011	Teufel	.....	D26/62
D661,419 S *	6/2012	Huang	.....	D26/62
D673,710 S *	1/2013	Eichelberger	.....	D26/62
D675,360 S *	1/2013	Lee	.....	D26/62

D689,641 S *	9/2013	Huang	.....	D26/62
D744,141 S	11/2015	Bobel		
D768,077 S *	10/2016	Wahl	.....	D26/62
D773,089 S *	11/2016	Glass	.....	F21V 21/32 D26/62
D776,850 S *	1/2017	Hodgson	.....	D26/62
9,848,749 B1 *	12/2017	Adams	.....	A47L 5/225
D894,459 S	8/2020	Smith et al.		
D905,884 S *	12/2020	Bao	.....	D26/43
2006/0133074 A1 *	6/2006	Lai	.....	F21V 21/06 362/205
2010/0214778 A1 *	8/2010	Chen	.....	G02B 6/001 362/249.02

\* cited by examiner

*Primary Examiner* — Wan Laymon  
*Assistant Examiner* — Clint A Samuel

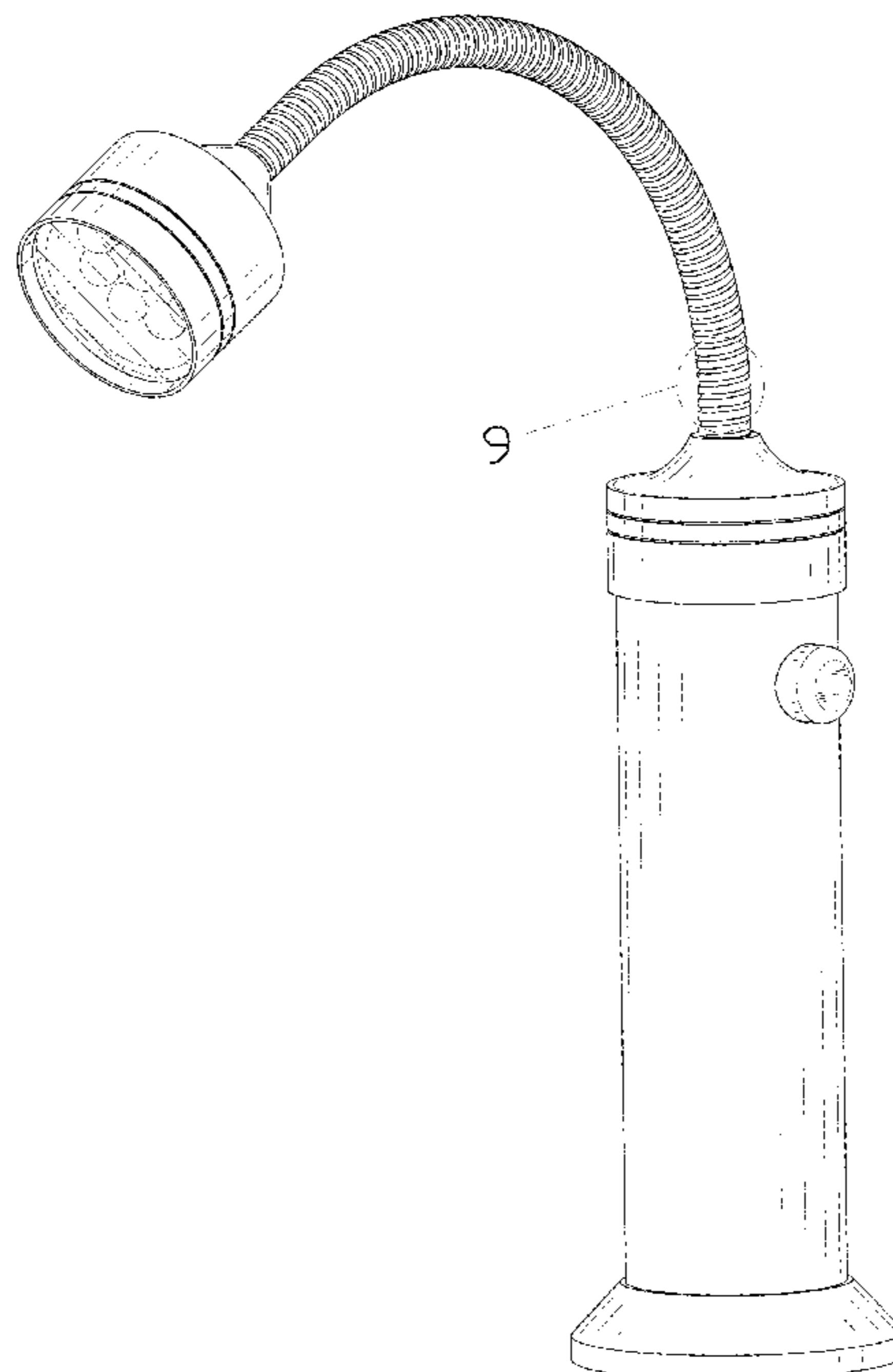
(57) **CLAIM**

The ornamental design for a light, as shown and described.

**DESCRIPTION**

FIG. 1 is a perspective view of a light showing my new design;  
 FIG. 2 is another perspective view thereof;  
 FIG. 3 is a front elevational view thereof;  
 FIG. 4 is a rear elevational view thereof;  
 FIG. 5 is a left side elevational view thereof;  
 FIG. 6 is a right side elevational view thereof;  
 FIG. 7 is a top plan view thereof;  
 FIG. 8 is a bottom plan view thereof; and,  
 FIG. 9 is an enlarged view of portion 9 shown in FIG. 1.  
 The dash-dash broken lines in the drawings depict portions of the light that form no part of the claimed design. The dot-dash broken lines represent boundaries of the enlarged portion and form no part of the claimed design.

**1 Claim, 9 Drawing Sheets**



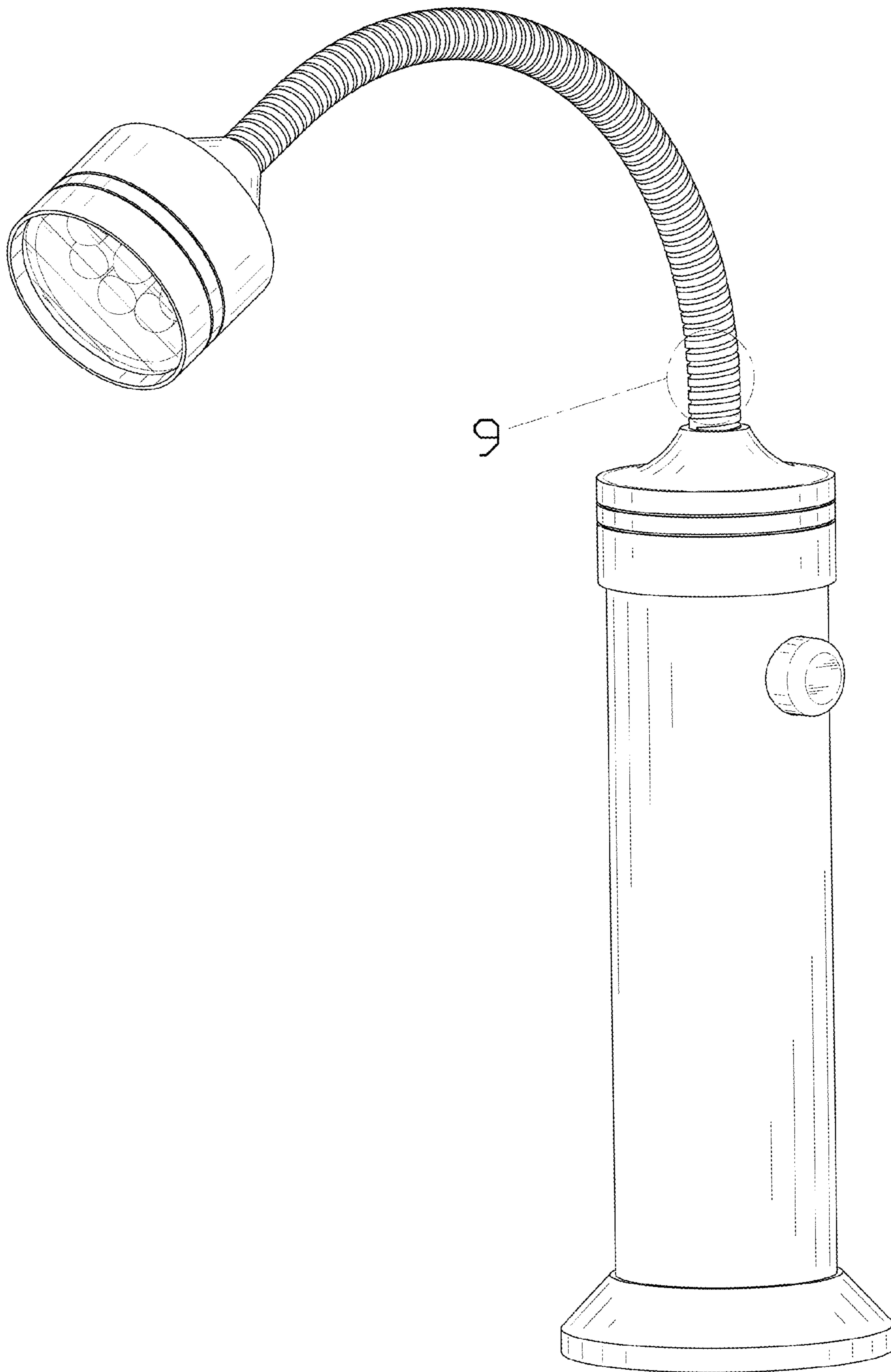


FIG. 1

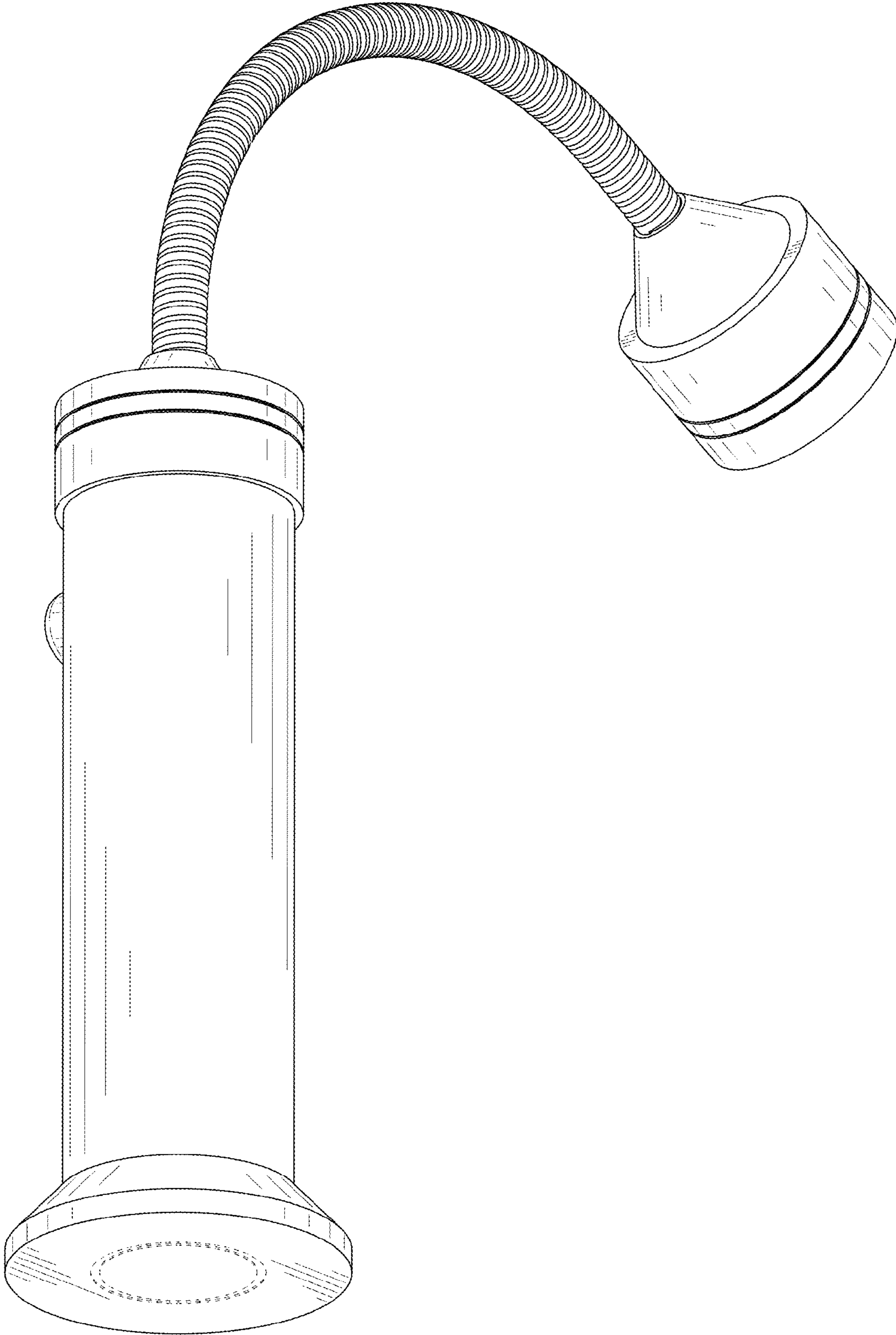


FIG. 2

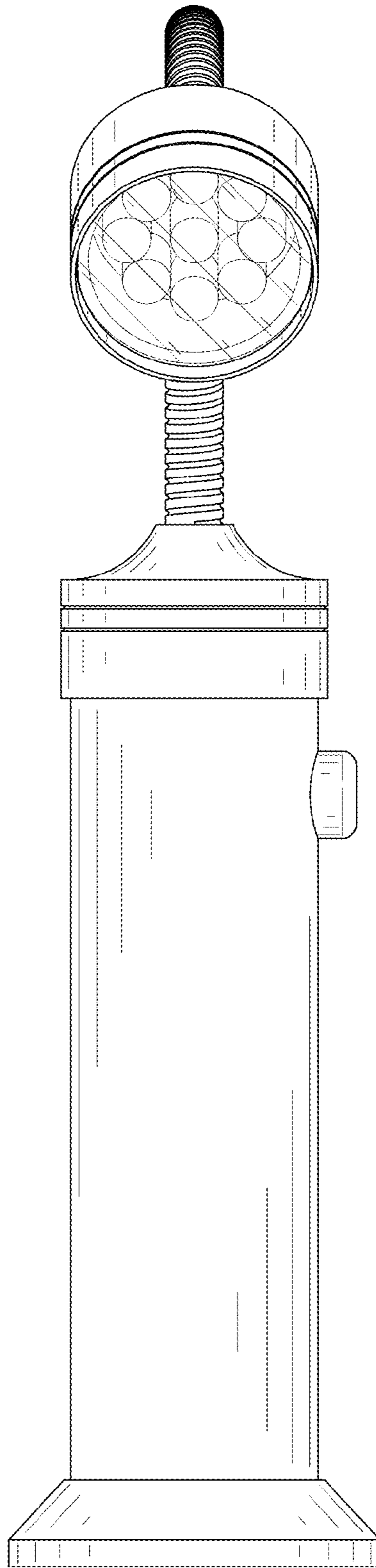


FIG. 3

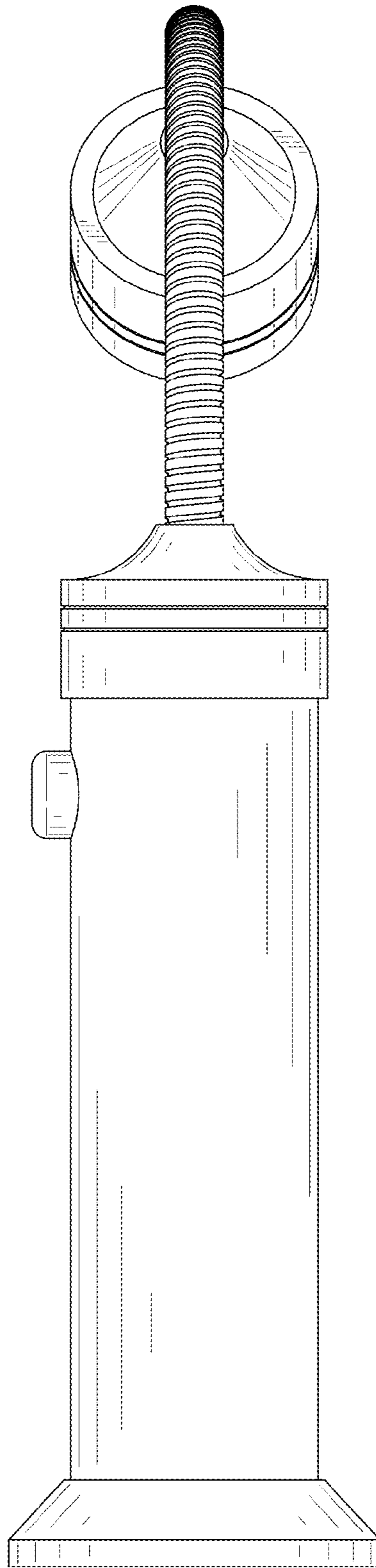


FIG. 4

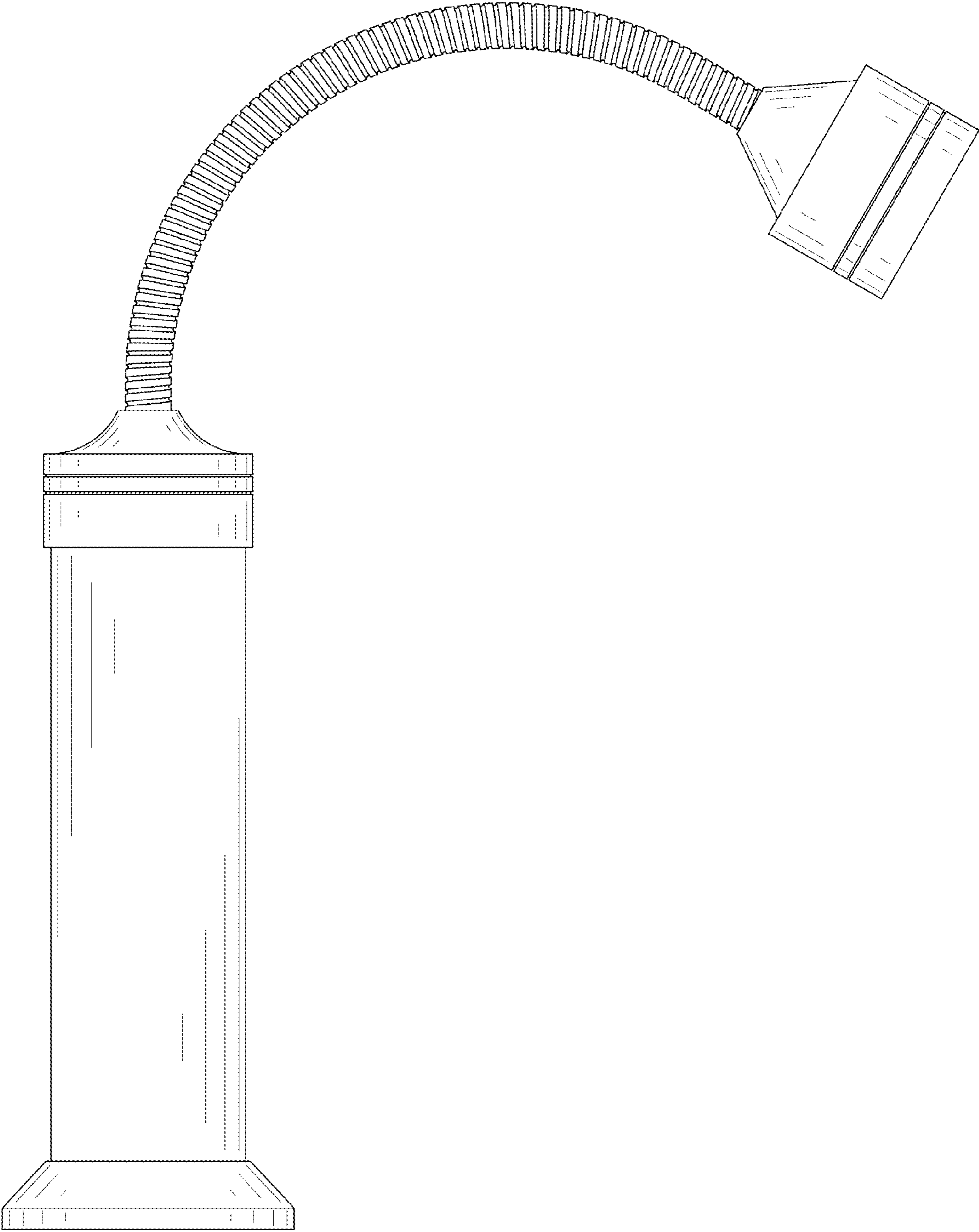


FIG. 5

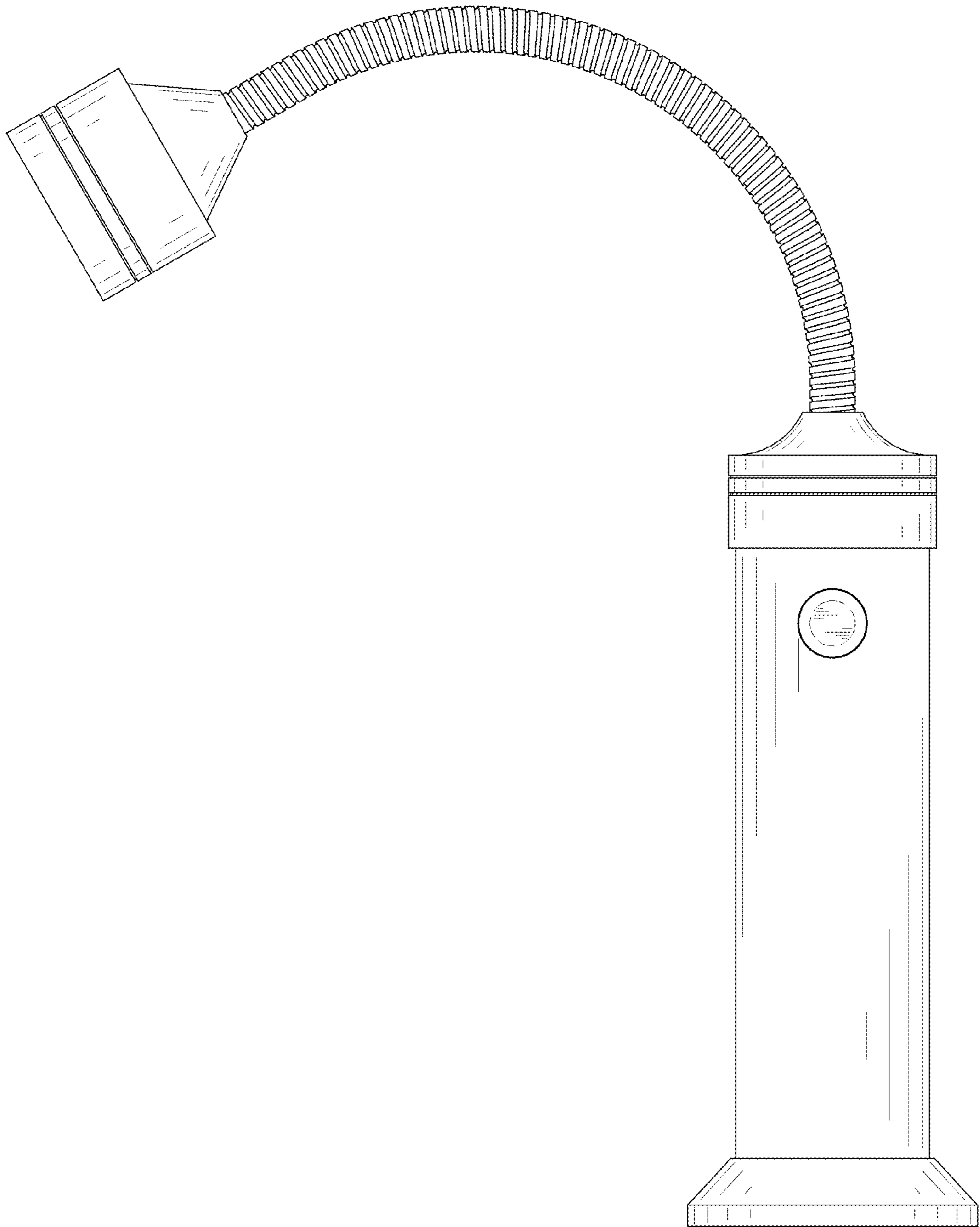


FIG. 6

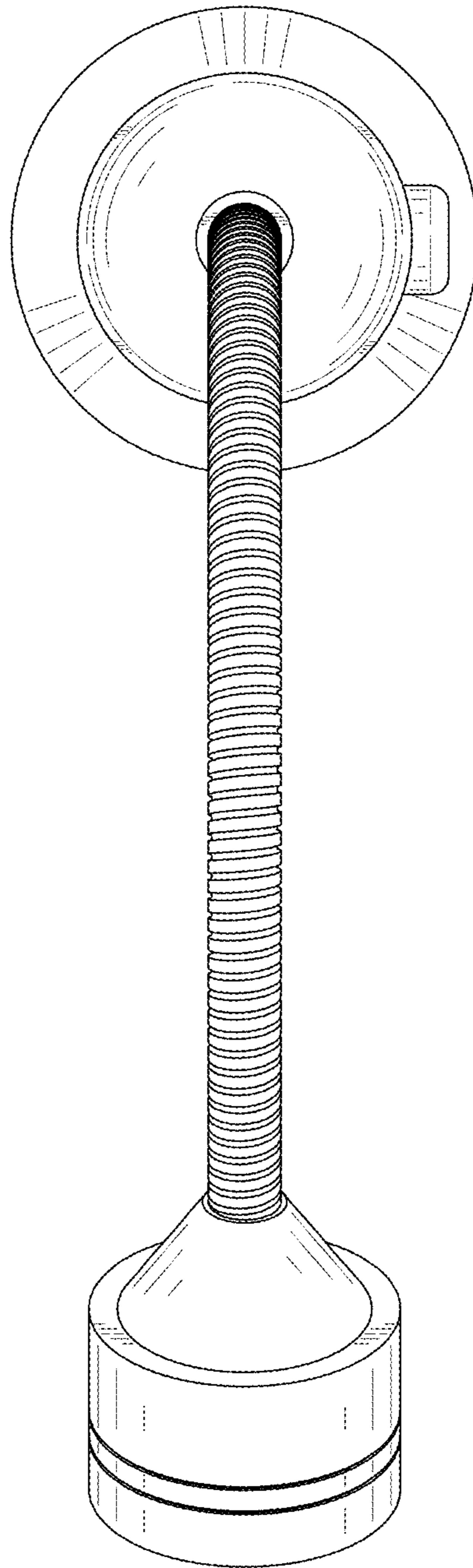


FIG. 7



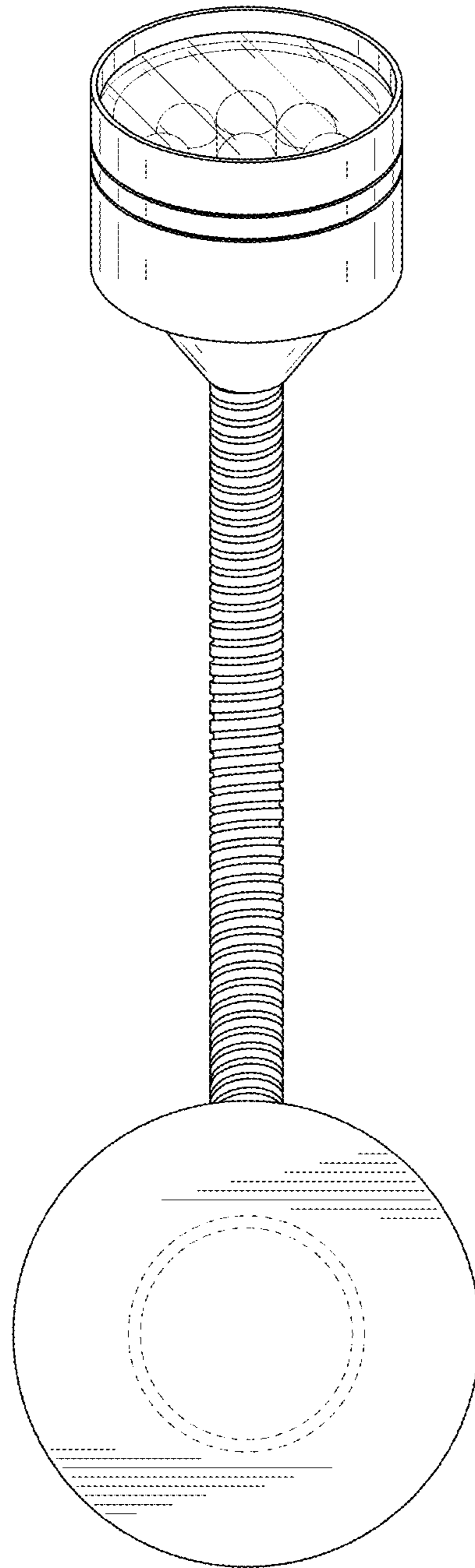


FIG. 8

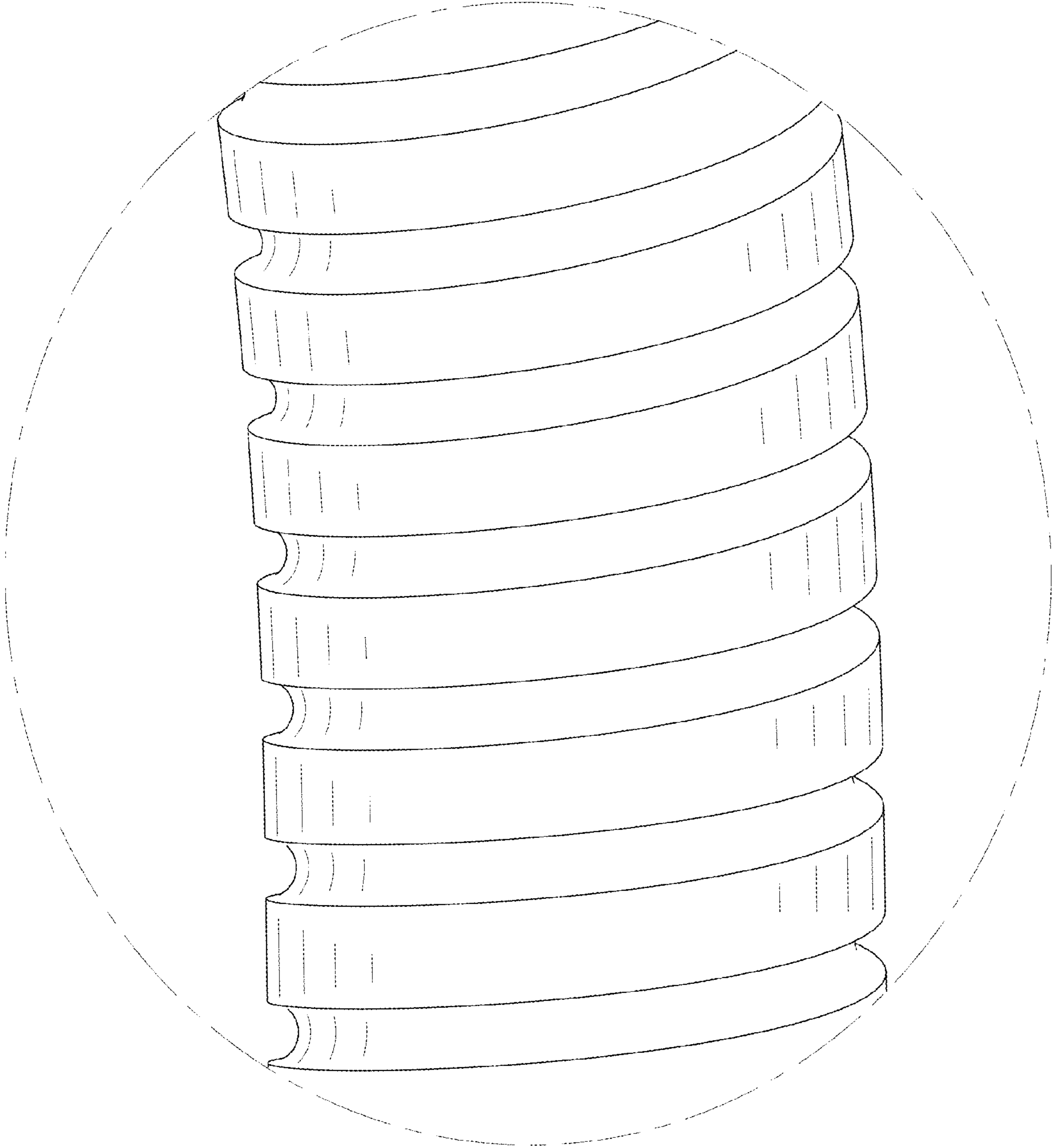


FIG. 9