



US00D958431S

(12) **United States Design Patent**
Lai

(10) **Patent No.:** **US D958,431 S**
(45) **Date of Patent:** **** Jul. 19, 2022**

(54) **PLANT GROW LIGHT**

FOREIGN PATENT DOCUMENTS

(71) Applicant: **SHENZHEN XINCHI NETWORK & TECH CO., LTD.**, Shenzhen (CN)

CN 202030794059.9 * 4/2021

(72) Inventor: **Haibo Lai**, Shenzhen (CN)

OTHER PUBLICATIONS

(73) Assignee: **SHENZHEN XINCHI NETWORK & TECH CO., LTD.**, Shenzhen (CN)

Amazon, "Buteny Grow Lights", first available Nov. 27, 2019. (<https://www.amazon.com/Lights-Plant-Indoor-Plants-Spectrum/dp/B08237VJ5W?th=1>) (Year: 2019).*

(**) Term: **15 Years**

(Continued)

(21) Appl. No.: **29/785,682**

Primary Examiner — Lauren D McVey
Assistant Examiner — Justin A Johnson

(22) Filed: **May 26, 2021**

(51) **LOC (13) Cl.** **26-05**

(57) **CLAIM**

(52) **U.S. Cl.**
USPC **D26/60**

The ornamental design for a plant grow light, as shown and described.

(58) **Field of Classification Search**
USPC D26/24, 25, 60, 61, 63, 93, 102, 106
CPC F21L 2/00; F21L 4/00; F21L 4/02; F21L 4/025; F21L 4/027; F21L 14/00; F21S 2/00; F21S 8/03; F21S 8/033; F21S 6/00; F21S 6/002; F21S 8/036; F21S 8/037; F21S 8/00; F21S 8/006; F21S 8/026; H01K 7/00; H01K 7/02; A01G 7/045
See application file for complete search history.

DESCRIPTION

(56) **References Cited**

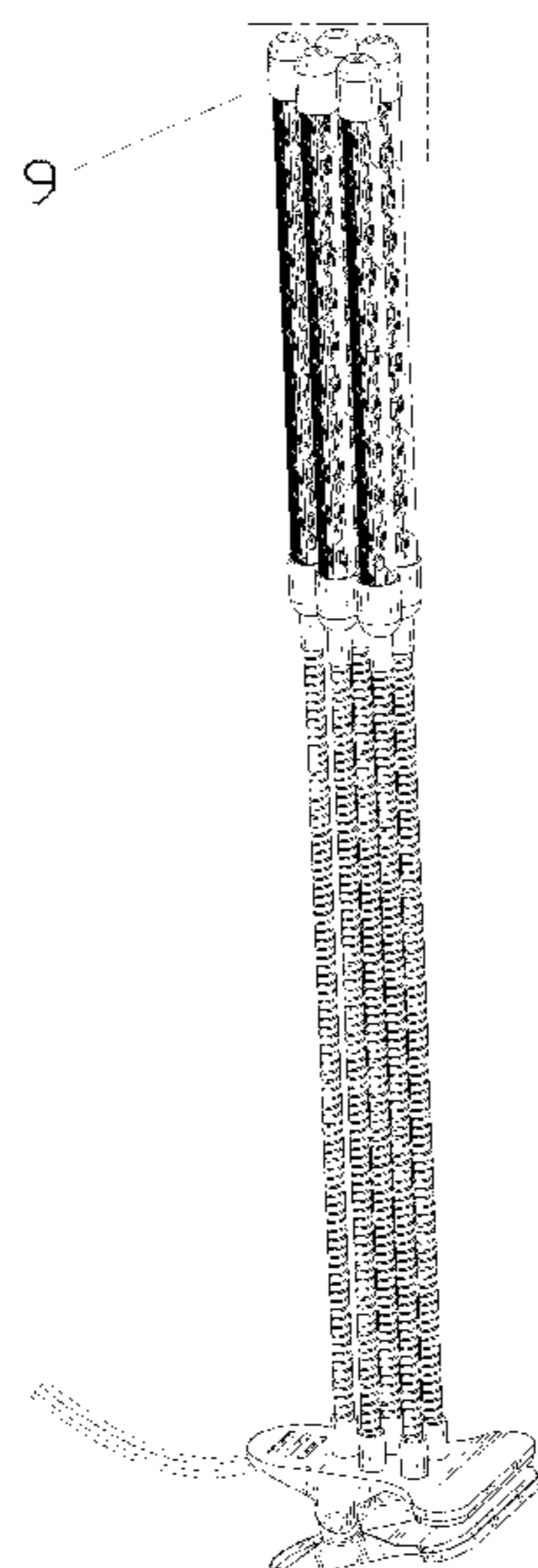
U.S. PATENT DOCUMENTS

D322,681 S	*	12/1991	Yuen	D26/38
D822,881 S		7/2018	Drew et al.		
D874,701 S	*	2/2020	Hu	D26/60
D878,654 S	*	3/2020	Lin	D26/60
D890,399 S	*	7/2020	Su	D26/60
D903,174 S		11/2020	Chen		
D908,267 S	*	1/2021	Tang	D26/102
D919,874 S	*	5/2021	Tang	D26/106
D921,255 S	*	6/2021	Jia	D26/60
D921,278 S	*	6/2021	Tang	F21S 8/033 D26/102

FIG. 1 is a perspective view of a plant grow light showing my new design;
FIG. 2 is another perspective view thereof;
FIG. 3 is a front elevational view thereof;
FIG. 4 is a rear elevational view thereof;
FIG. 5 is a left side elevational view thereof;
FIG. 6 is a right side elevational view thereof;
FIG. 7 is a top plan view thereof;
FIG. 8 is a bottom plan view thereof;
FIG. 9 is an enlarged view of portion 9 shown in FIG. 1;
FIG. 10 is an enlarged view of portion 10 shown in FIG. 2;
FIG. 11 is an enlarged view of portion 11 shown in FIG. 3;
and,
FIG. 12 is an enlarged view of portion 12 shown in FIG. 6.
The even length broken lines depict portions of the plant grow light that form no part of the claimed design. In addition, the dot-dash broken lines illustrate enlarged portions of the design. None of the broken lines form part of the claimed design.

(Continued)

1 Claim, 12 Drawing Sheets



(56)

References Cited

U.S. PATENT DOCUMENTS

D925,800 S * 7/2021 He F21S 43/14
D26/60
D929,022 S * 8/2021 Tang D26/102
D939,135 S * 12/2021 Lai D26/60
2008/0192476 A1* 8/2008 Hiratsuka F21S 8/033
362/285
2019/0366498 A1* 12/2019 Wang F21S 43/14

OTHER PUBLICATIONS

Amazon, "Garpsen Grow Lights for Indoor Plants", first available Apr. 13, 2021. (<https://www.amazon.com/dp/B092DJJW49/>) (Year: 2021).*

Amazon, "KindleTheFire Grow Lights", first available Mar. 15, 2021. (<https://www.amazon.com/dp/B08YYLN287/>) (Year: 2021).*

Amazon, "Buteny Grow Lighs 5 Heads", first available Apr. 8, 2021. (<https://www.amazon.com/Lights-Plant-Indoor-Plants-Spectrum/dp/B09228Z5SF?th=1>) (Year: 2021).*

* cited by examiner

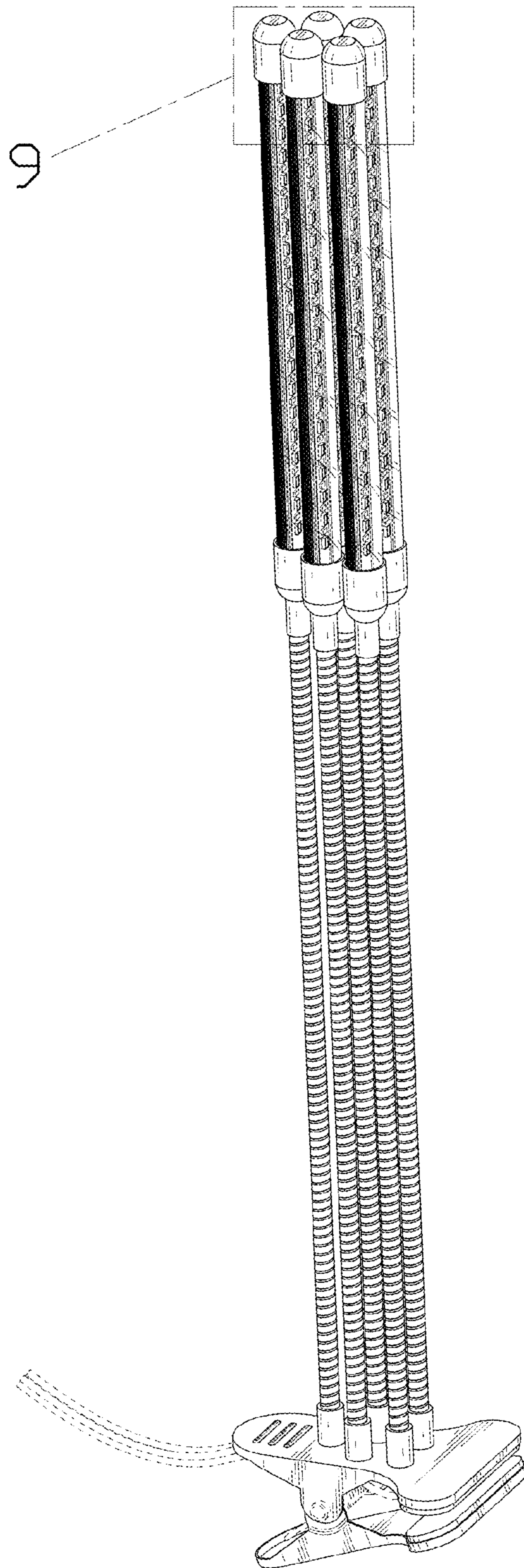


FIG. 1

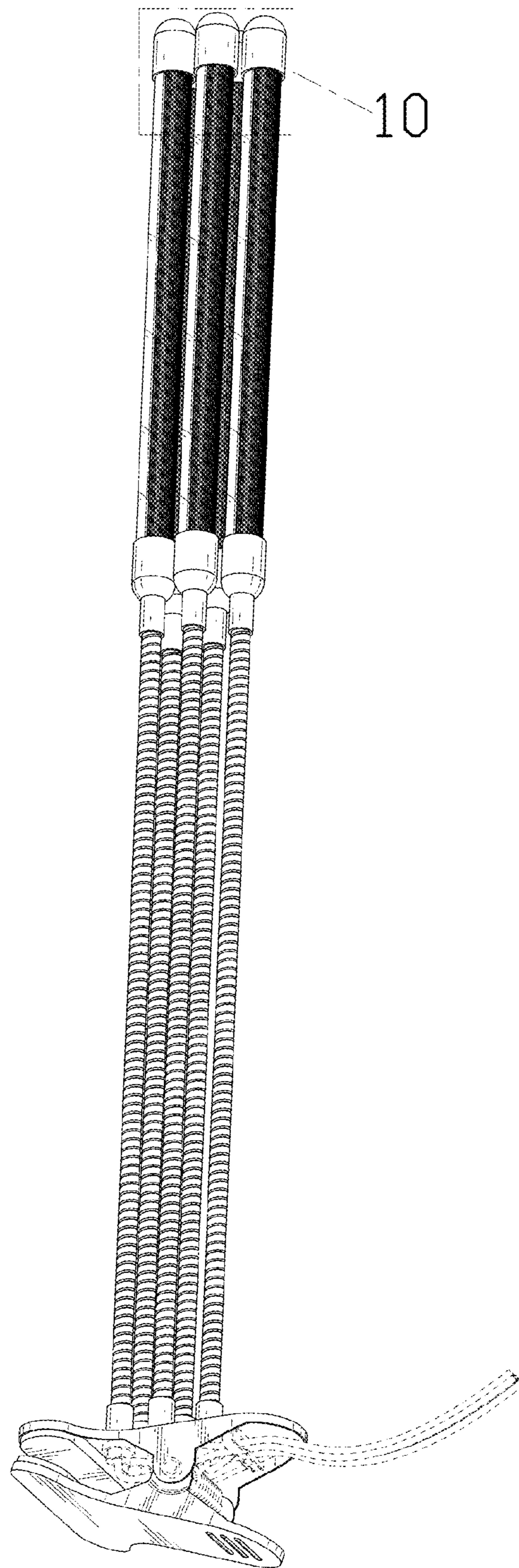


FIG. 2

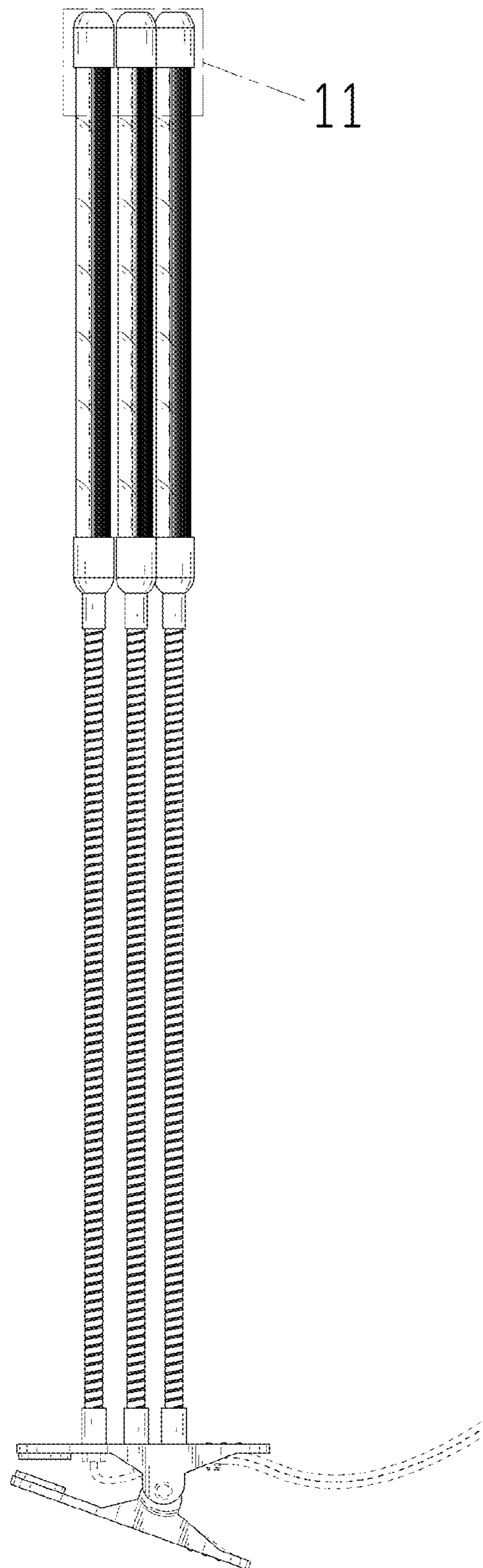


FIG. 3

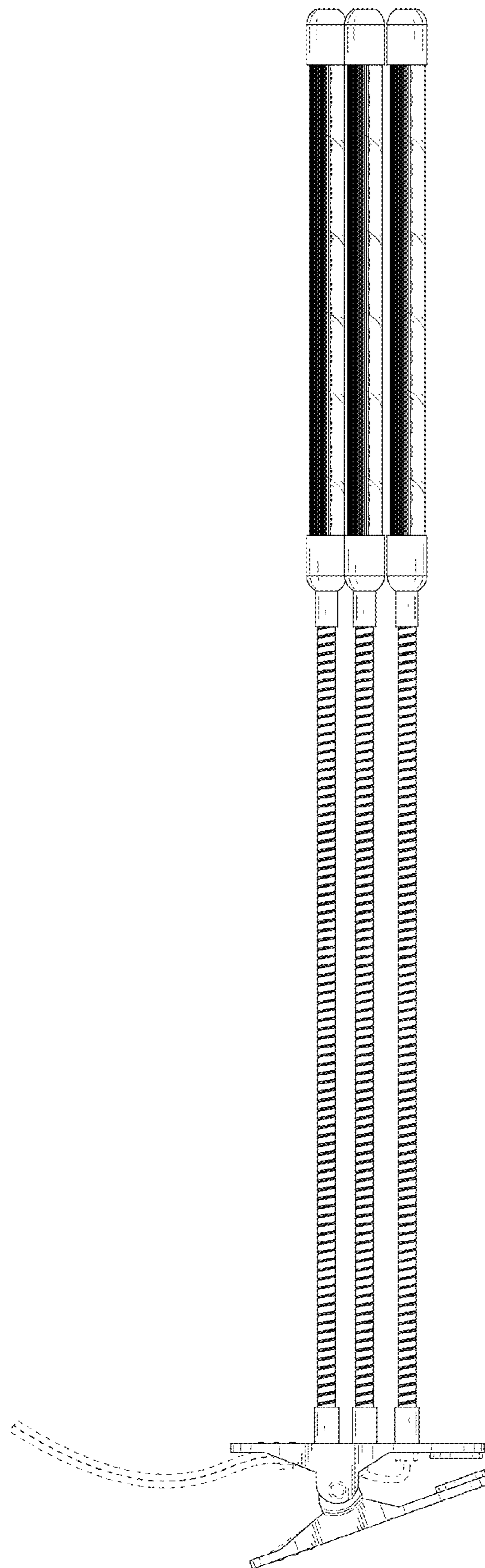


FIG. 4

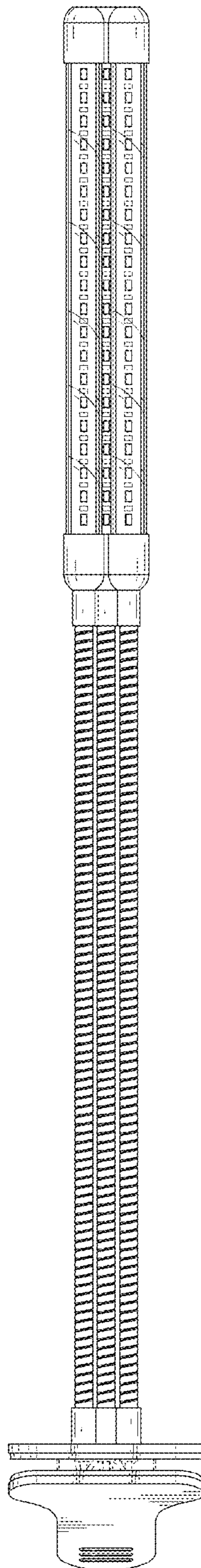


FIG. 5

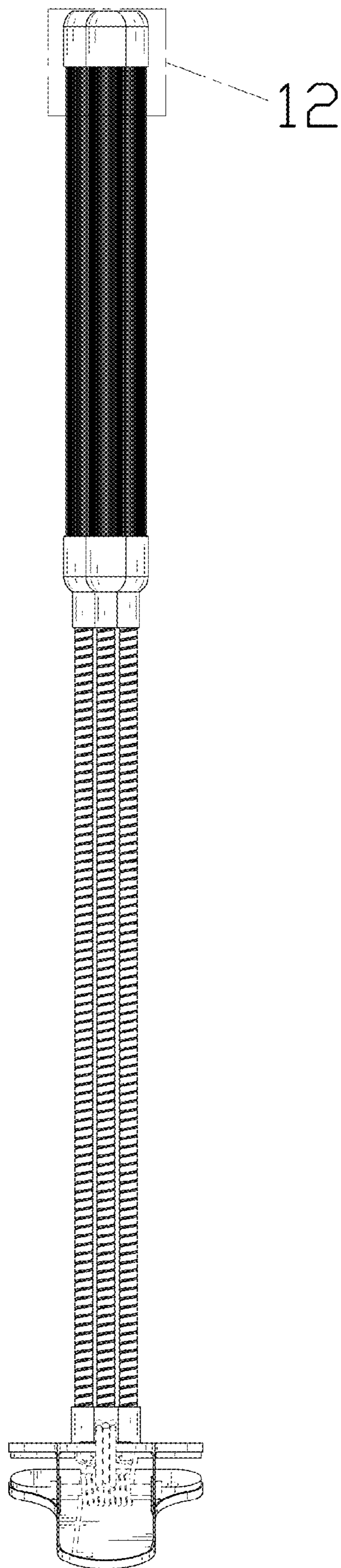


FIG. 6

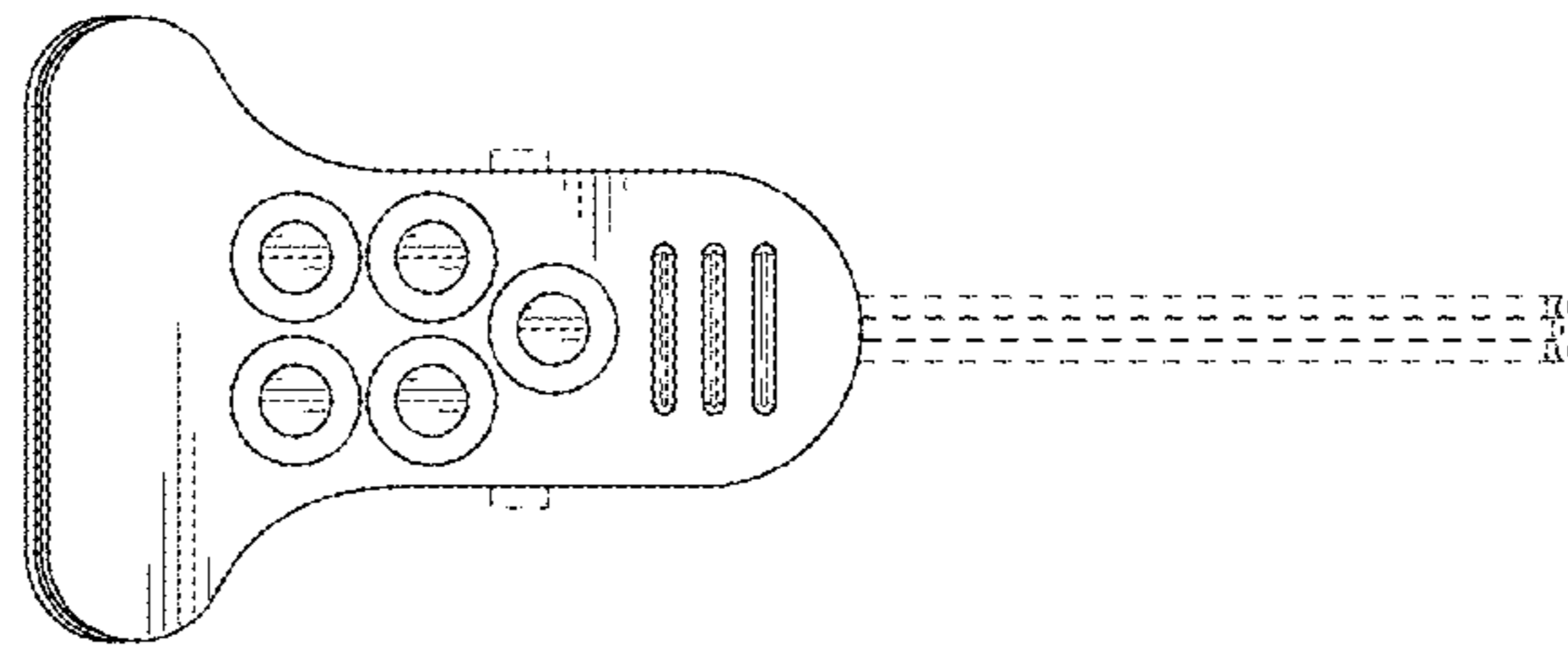


FIG. 7

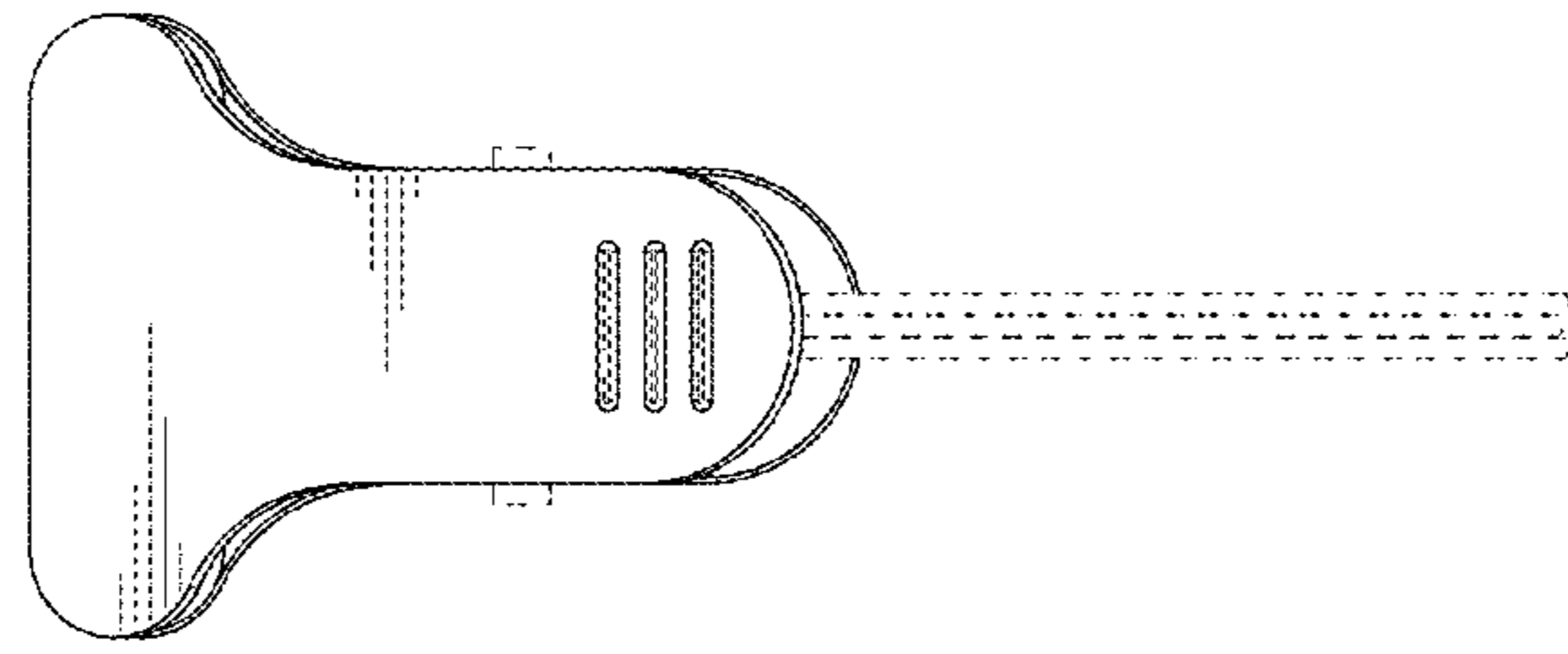


FIG. 8

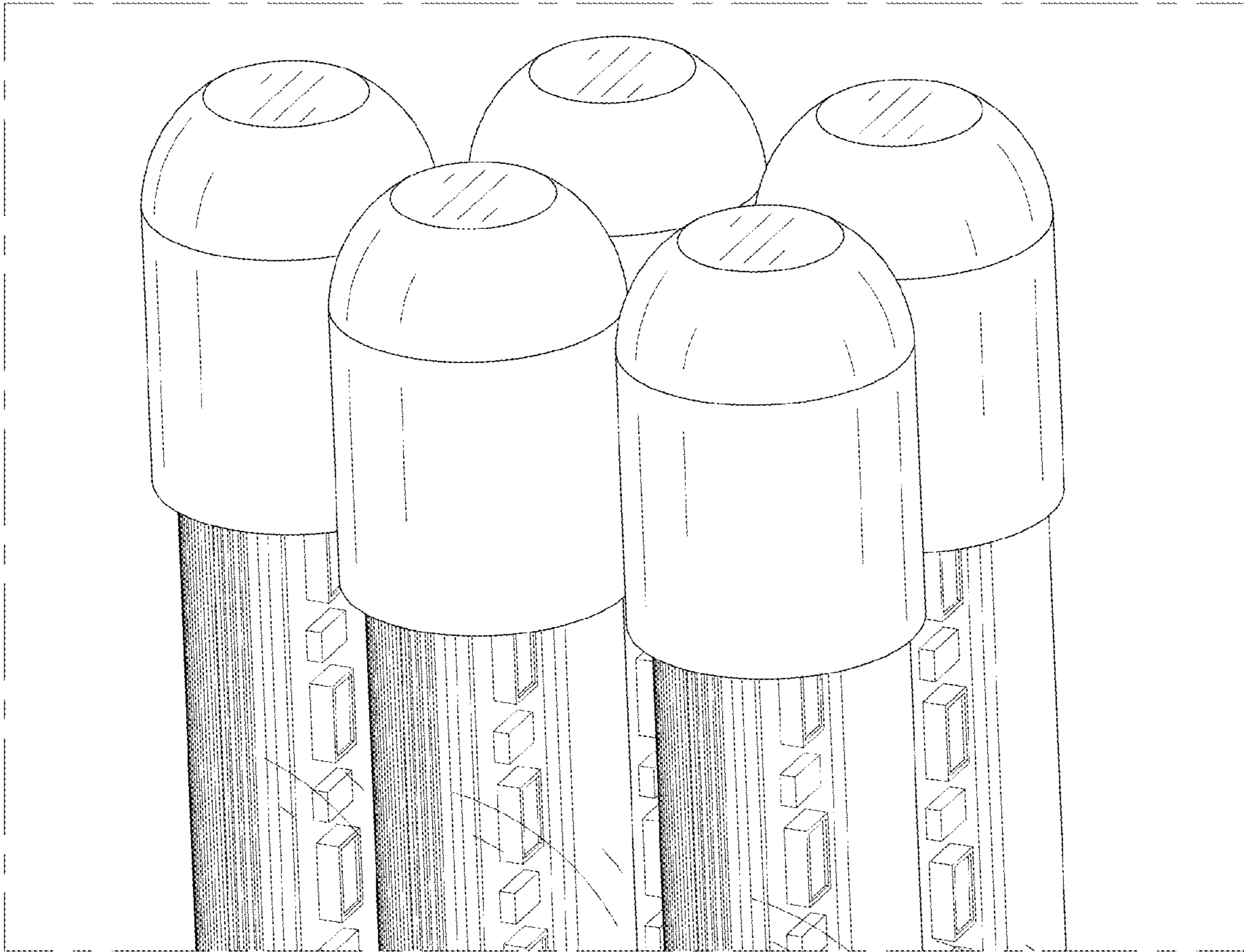


FIG. 9

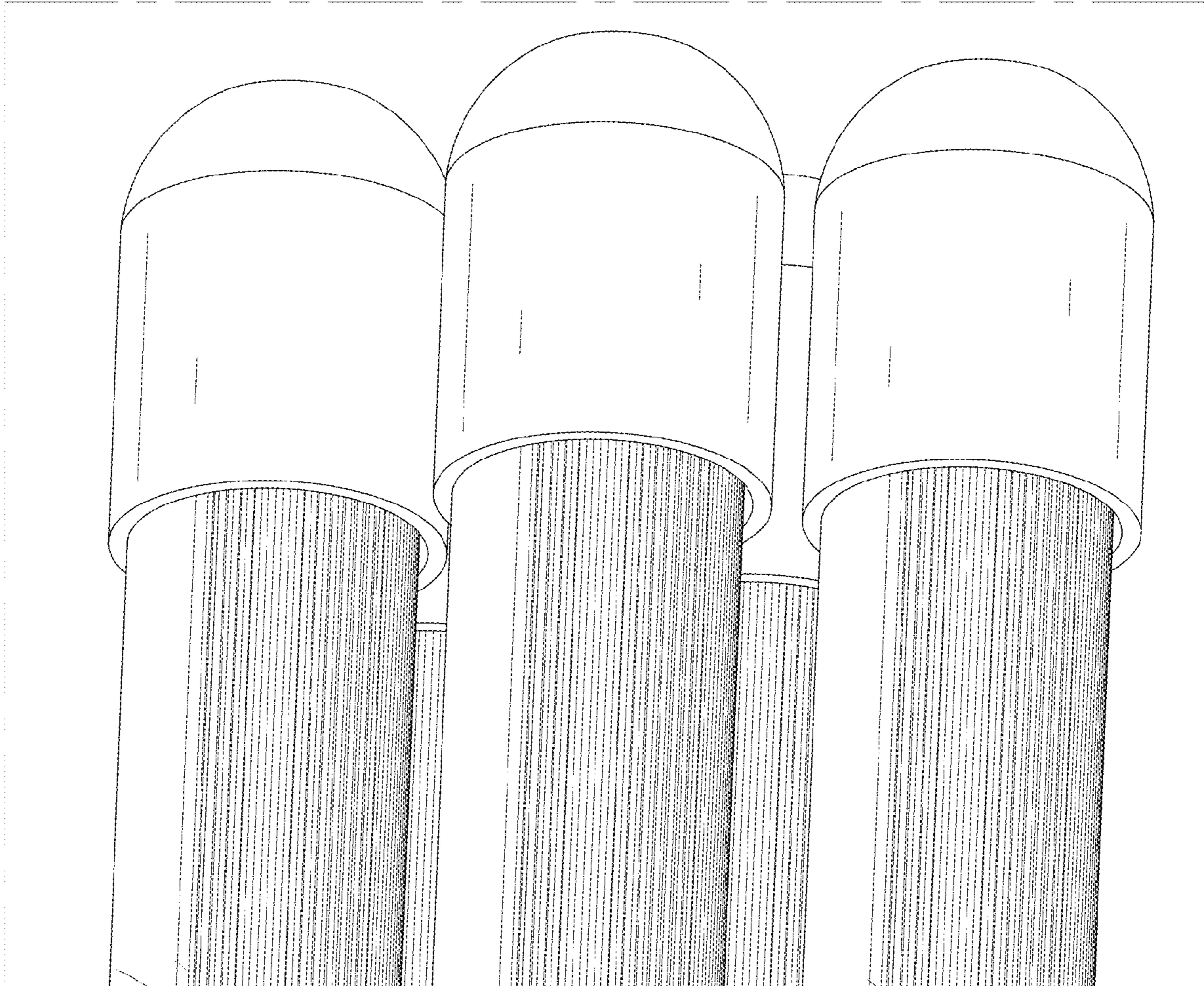


FIG. 10

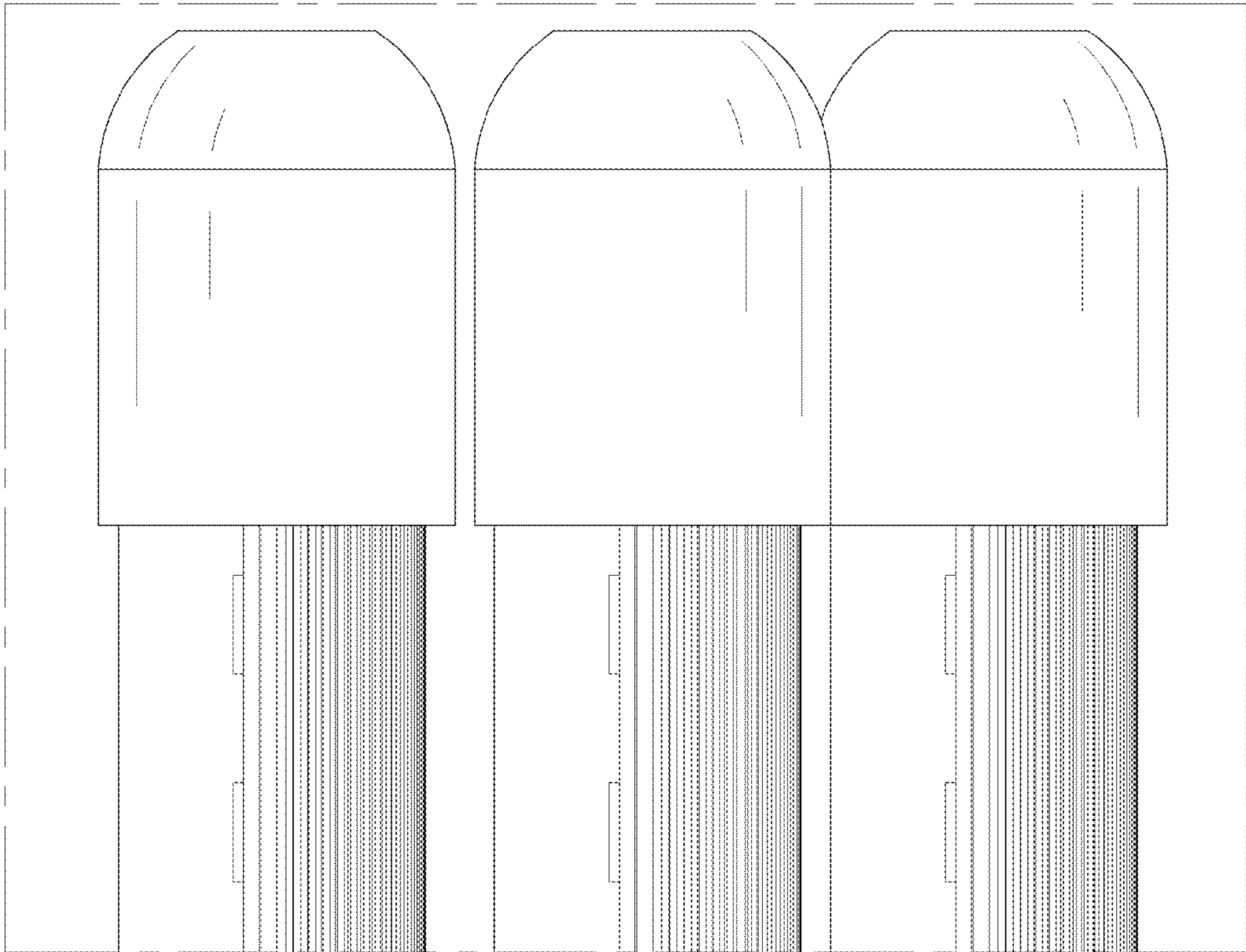


FIG. 11

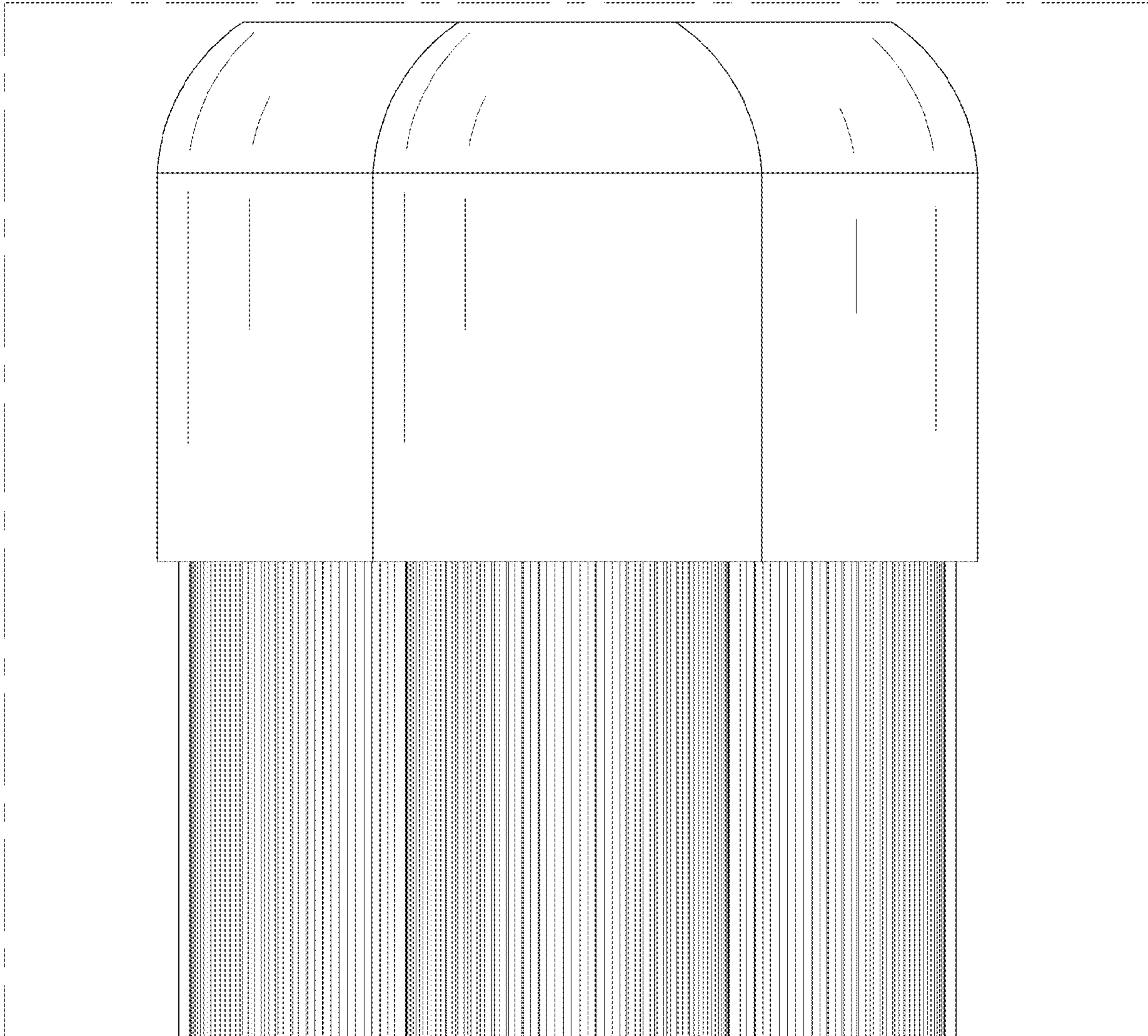


FIG. 12