



US00D958429S

(12) **United States Design Patent**
Seo et al.

(10) **Patent No.: US D958,429 S**
(45) **Date of Patent: ** Jul. 19, 2022**

(54) **TOY FOR CHEERING**

(71) Applicant: **BigHit Entertainment Co., Ltd.**, Seoul (KR)

(72) Inventors: **Gyu Jin Seo**, Seoul (KR); **Se Jung Ha**, Seoul (KR)

(**) Term: **15 Years**

(21) Appl. No.: **35/510,143**

(22) Filed: **Feb. 17, 2020**

(80) **Hague Agreement Data**

Int. Filing Date: **Feb. 17, 2020**

Int. Reg. No.: **DM/208418**

Int. Reg. Date: **Feb. 17, 2020**

Int. Reg. Pub. Date: **Aug. 21, 2020**

(30) **Foreign Application Priority Data**

Jan. 16, 2020 (KR) 30-2020-0002224

(51) **LOC (13) Cl.** **21-03**

(52) **U.S. Cl.**
USPC **D26/37**

(58) **Field of Classification Search**

USPC D10/114.1, 114.6–114.9; D14/154, 158, D14/225–229, 497; D21/400, 401, 402, D21/405; D26/37, 38, 40, 41, 50, 51, 52

CPC A63H 33/22
See application file for complete search history.

(56) **References Cited**

U.S. PATENT DOCUMENTS

D267,278 S * 12/1982 Yau D26/49
D267,279 S * 12/1982 Yau D26/49
5,037,346 A * 8/1991 Cimock F21L 4/005
446/419
D419,611 S * 1/2000 Bao D21/401
D437,435 S * 2/2001 Spangler D26/47
D617,391 S * 6/2010 Liu A61N 5/0616
D21/401

D666,342 S * 8/2012 Wang D26/38
D887,624 S * 6/2020 Debelak D26/113
D894,468 S * 8/2020 Hollopeter D26/113
2005/0015121 A1 * 1/2005 Molina A61N 5/0616
607/88
2010/0124867 A1 * 5/2010 Kessler A47G 33/06
446/242

FOREIGN PATENT DOCUMENTS

KR 30-0897679 3/2017

OTHER PUBLICATIONS

Weverseshop, MOA Tomorrow x Together Official Light Stick, Mar. 15, 2020, Instagram.com. Retrieved from the internet on Jun. 25, 2021 <URL: <https://www.instagram.com/p/B9xu8lqJvVX>>. (Year: 2020).*

* cited by examiner

Primary Examiner — Joseph Kukella

(57) **CLAIM**

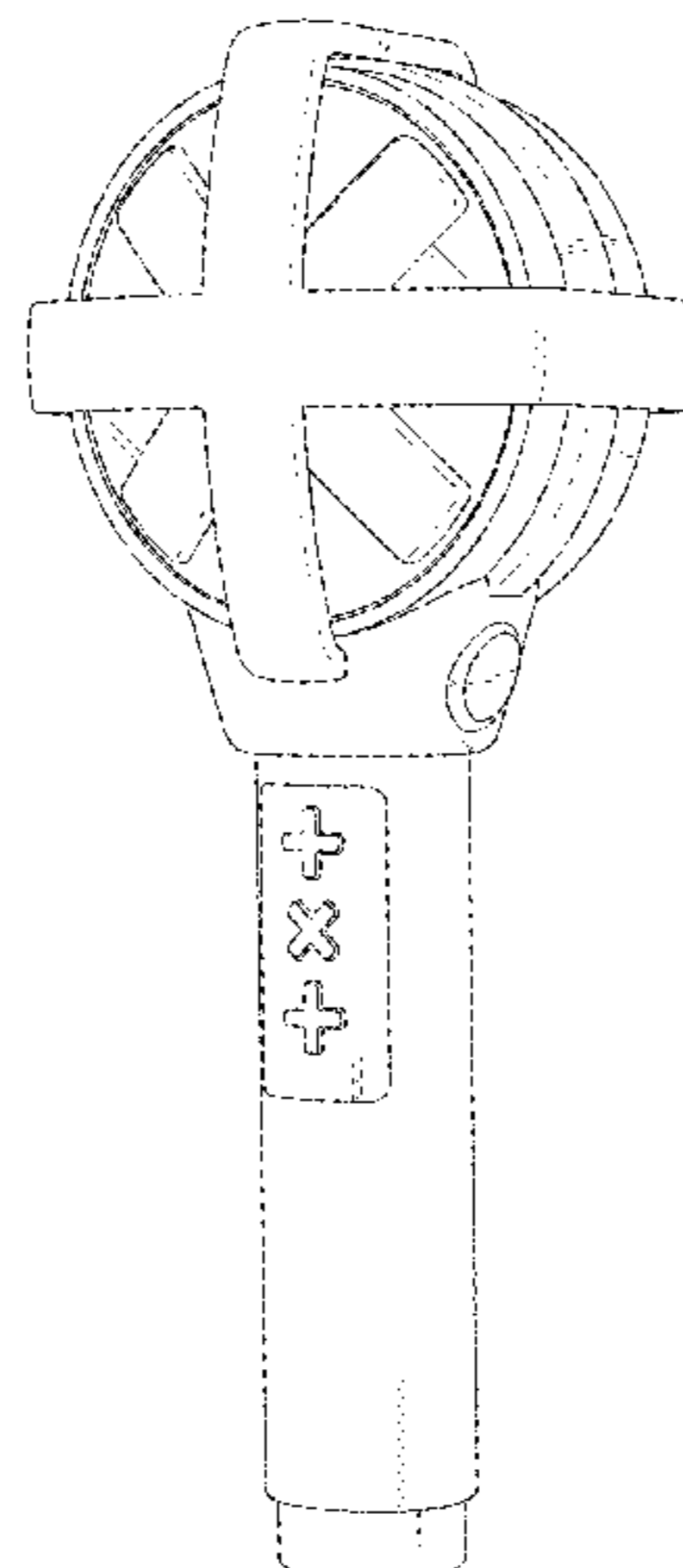
The ornamental design for a toy for cheering, as shown and described.

DESCRIPTION

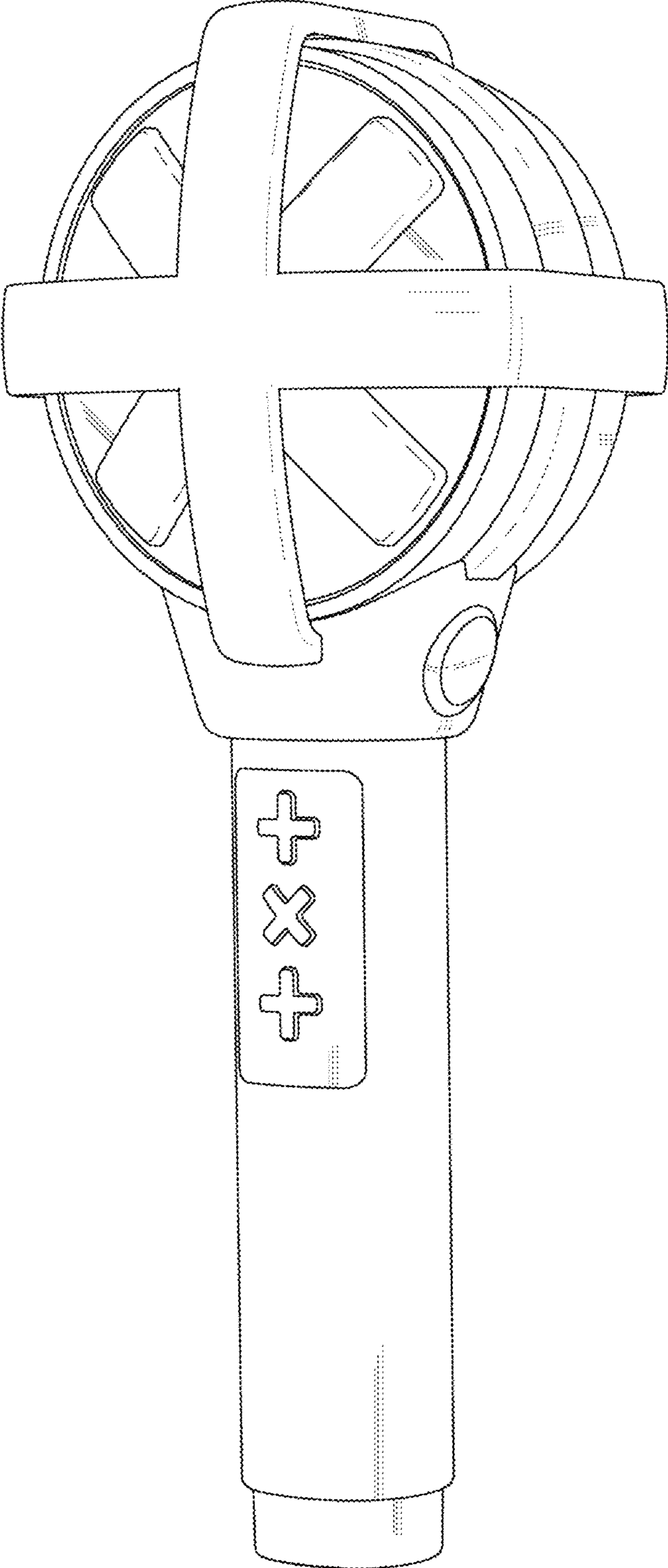
- 1. Toy for cheering
- 1.1 : Front Perspective
- 1.2 : Front
- 1.3 : Back
- 1.4 : Left
- 1.5 : Right
- 1.6 : Top
- 1.7 : Bottom
- 1.8 : Cross sectional

Fig. 1.8 is a section view taken along a horizontal center line through the middle of the round element at the top of the article in the front view of Fig. 1.2 and viewed from the top of the article.

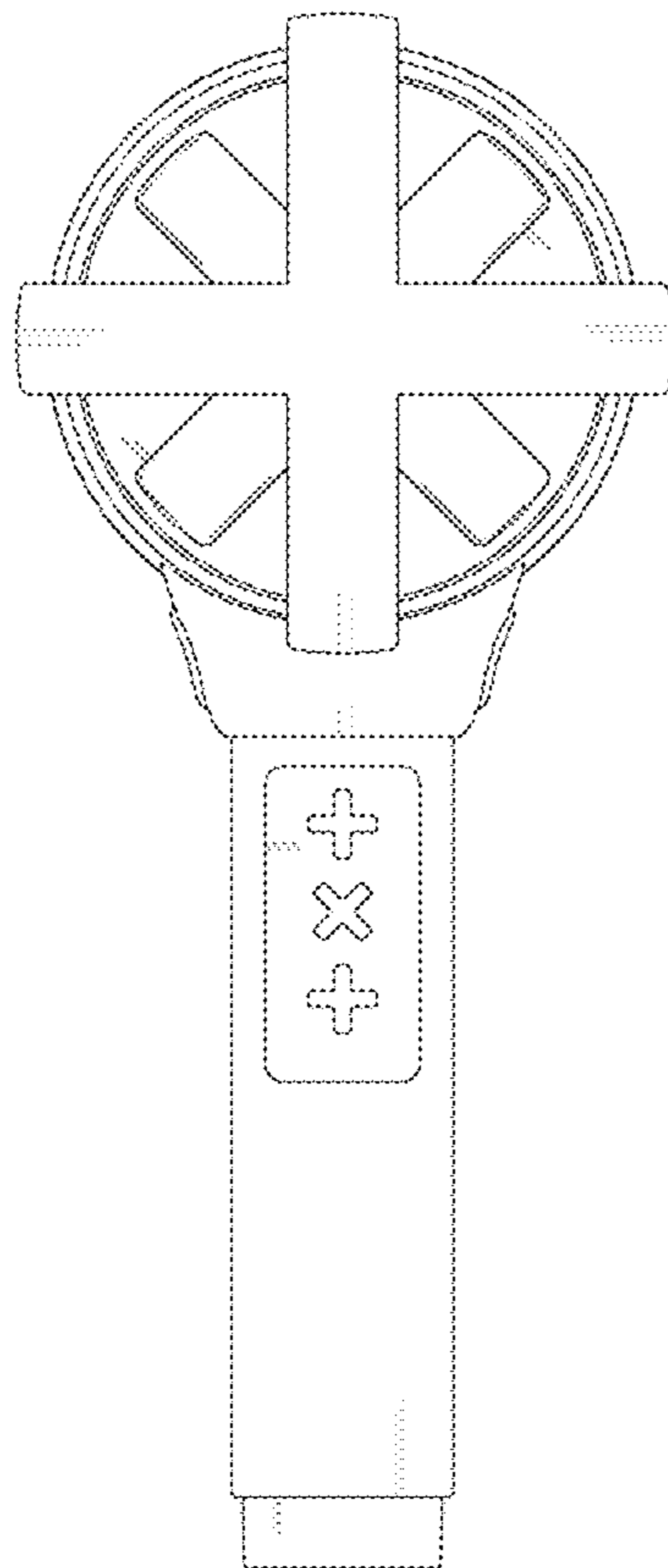
1 Claim, 8 Drawing Sheets



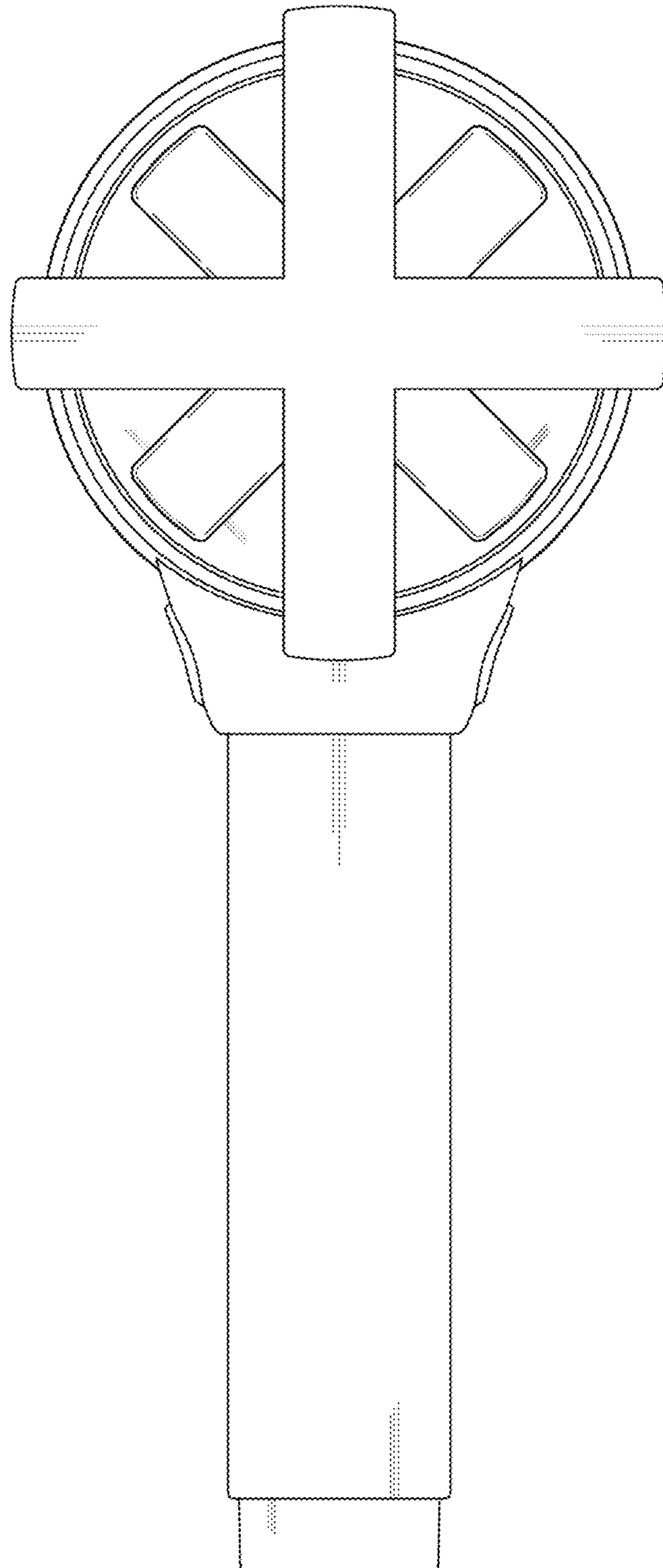
1.1



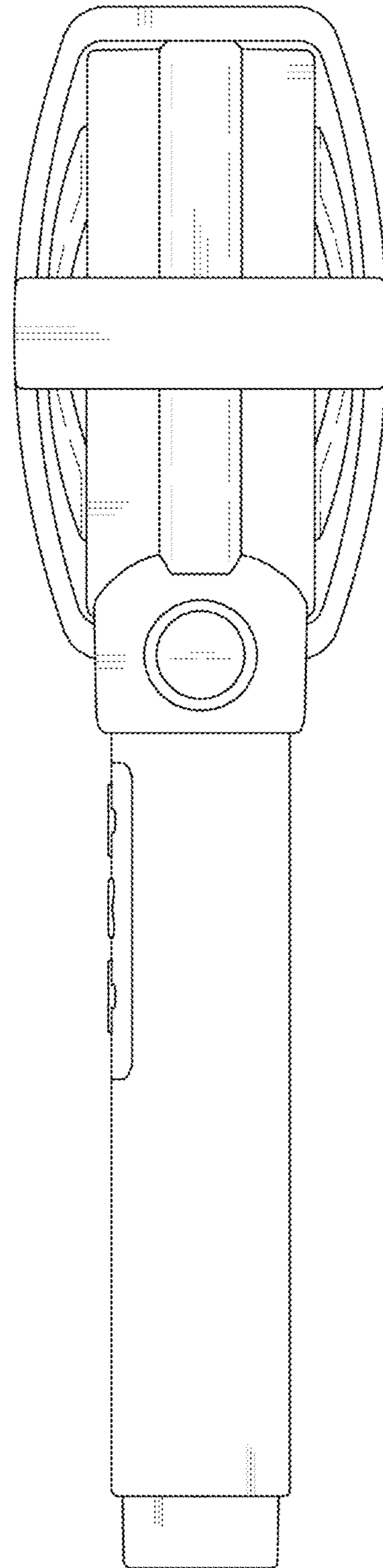
1.2



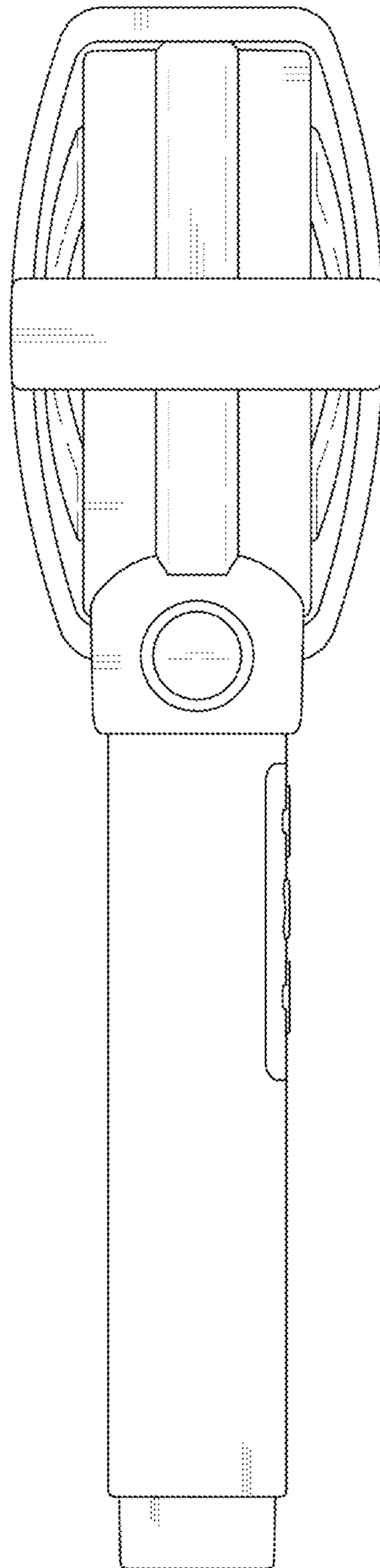
1.3



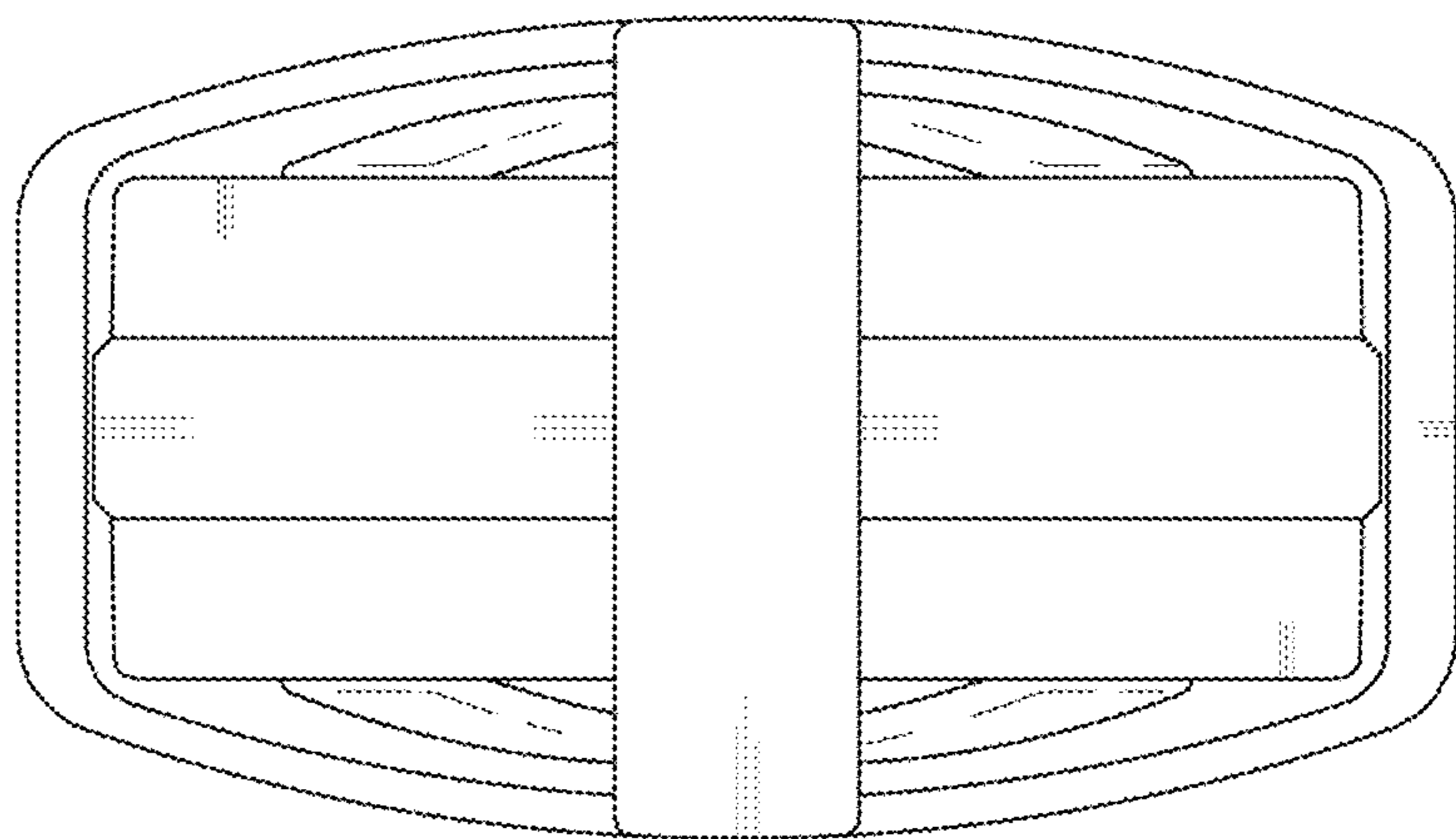
1.4



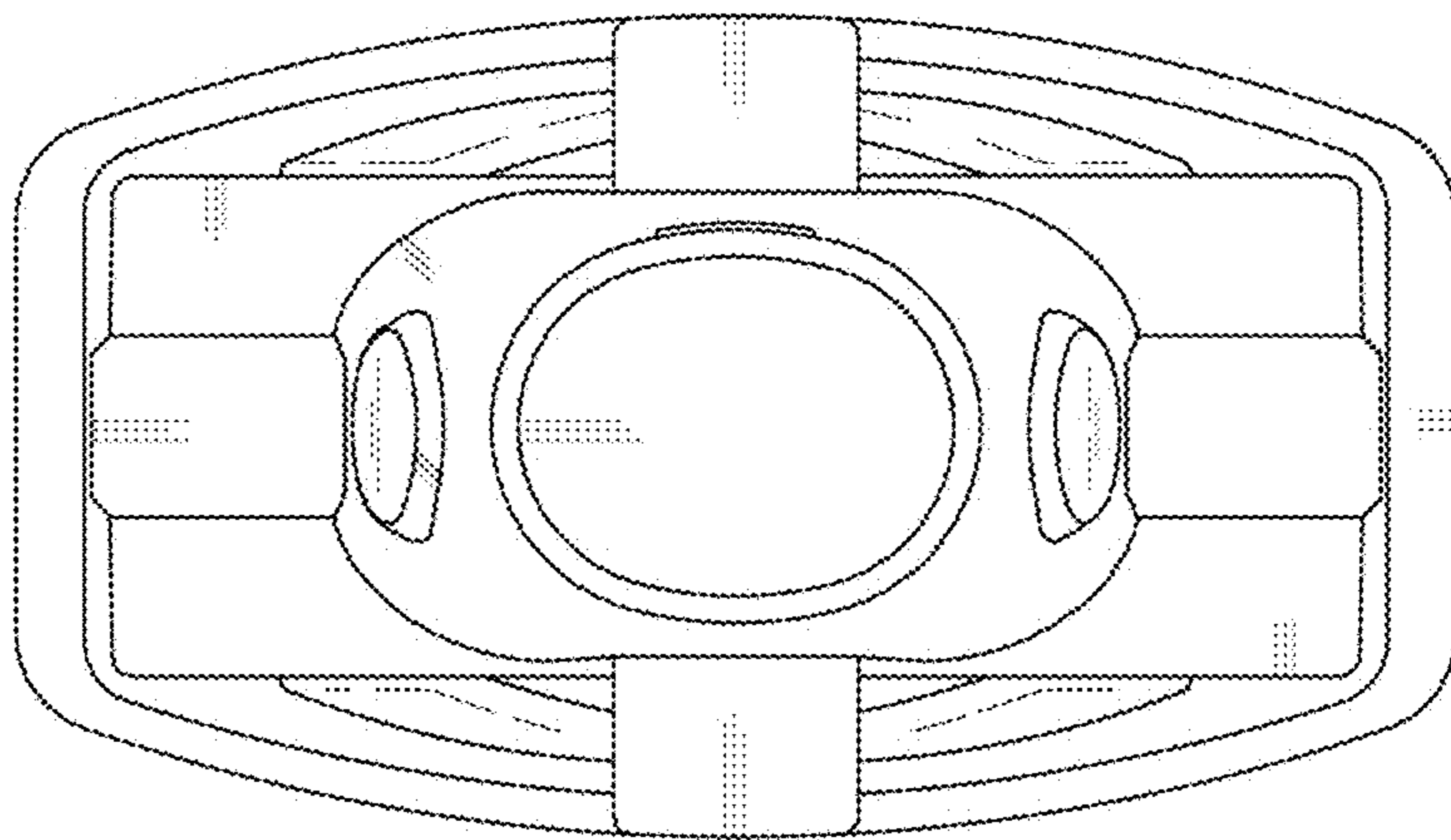
1.5



1.6



1.7



1.8

