



US00D958428S

(12) **United States Design Patent** (10) **Patent No.:** **US D958,428 S**
Seo et al. (45) **Date of Patent:** **** Jul. 19, 2022**

(54) **TOY FOR CHEERING** D666,342 S * 8/2012 Wang D26/38
D827,891 S * 9/2018 Kawabata D26/40
D887,624 S * 6/2020 Debelak A61N 5/0616
(71) Applicant: **BigHit Entertainment Co., Ltd.**, Seoul (KR) D26/113
D894,468 S * 8/2020 Holloper D26/113
(72) Inventors: **Gyu Jin Seo**, Seoul (KR); **Se Jung Ha**, Seoul (KR) 2004/0077264 A1* 4/2004 Walker A63H 33/26
446/175
2005/0015121 A1* 1/2005 Molina A61N 5/0616
607/88
(**) Term: **15 Years** (Continued)

(21) Appl. No.: **35/510,137**

FOREIGN PATENT DOCUMENTS

(22) Filed: **Feb. 17, 2020**

KR 30-0897679 3/2017

(80) **Hague Agreement Data**

OTHER PUBLICATIONS

Int. Filing Date: **Feb. 17, 2020**

Jane Tanjusay, BTS Army Bomb—Map of the Soul Special Edition—Unboxing!!!, Oct. 14, 2020, YouTube.com. Retrieved from the internet on Jun. 25, 2021 <URL: <https://youtu.be/HlsbSg0mo1A>> (Year: 2020).*

Int. Reg. No.: **DM/208413**

Int. Reg. Date: **Feb. 17, 2020**

Int. Reg. Pub. Date: **Aug. 21, 2020**

(Continued)

(51) **LOC (13) Cl.** **21-03**

(52) **U.S. Cl.**

Primary Examiner — Joseph Kukella

USPC **D26/37**

(58) **Field of Classification Search**

(57) **CLAIM**

USPC D10/114.1, 114.6–114.9; D14/154, 158, D14/225–229, 497; D21/400, 401, 402, D21/405; D26/37, 38, 40, 41, 50, 51, 52

The ornamental design for a toy for cheering, as shown and described.

CPC A63H 33/22

DESCRIPTION

See application file for complete search history.

(56) **References Cited**

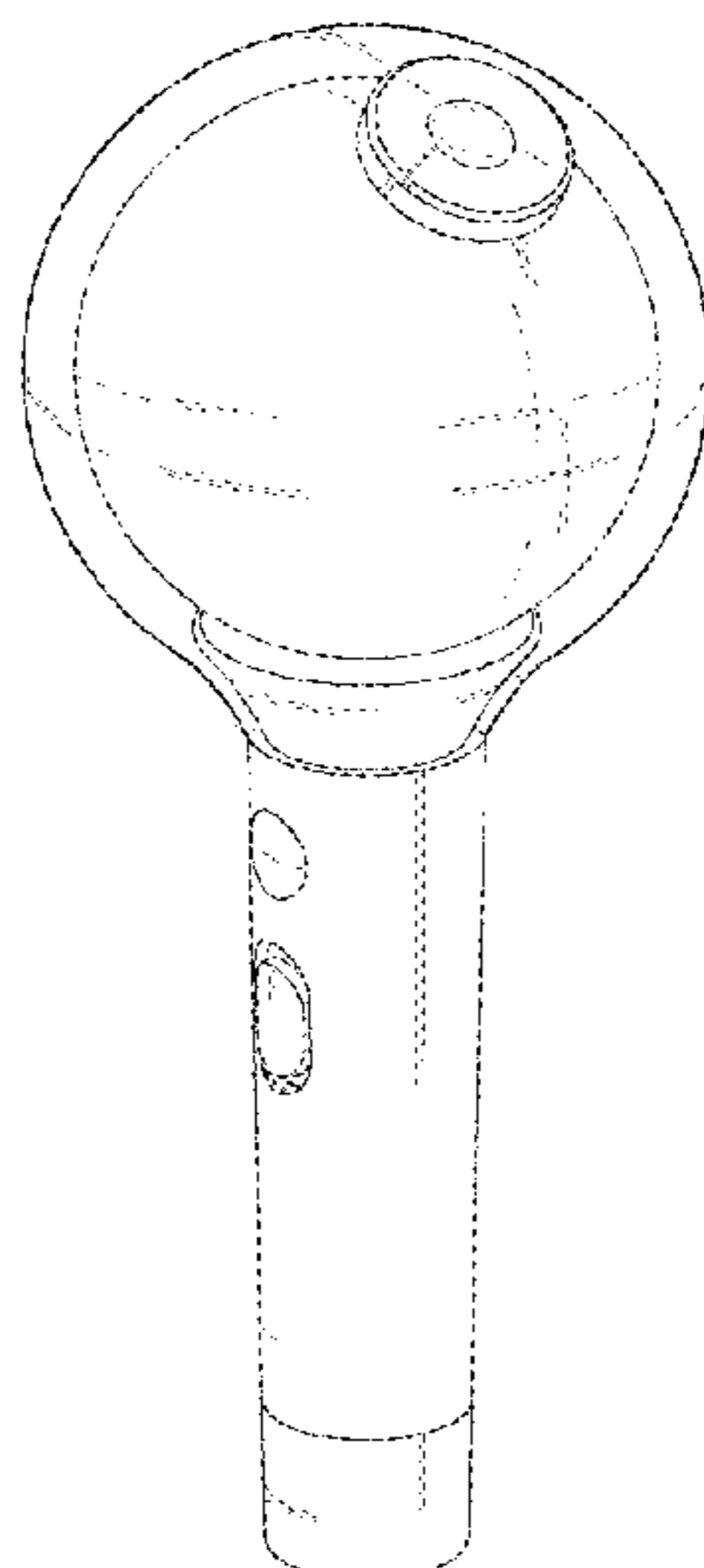
- 1. Toy for cheering
- 1.1 : Front Perspective
- 1.2 : Front
- 1.3 : Back
- 1.4 : Left
- 1.5 : Right
- 1.6 : Top
- 1.7 : Bottom
- 1.8 : Cross sectional

U.S. PATENT DOCUMENTS

D267,278 S * 12/1982 Yau D26/49
D267,279 S * 12/1982 Yau D26/49
5,037,346 A * 8/1991 Cimock F21L 4/005
446/419
D371,580 S * 7/1996 Venecia D17/24
D430,232 S * 8/2000 She A63H 33/22
D14/225
D437,435 S * 2/2001 Spangler A63H 33/26
D26/47
D605,321 S * 12/2009 Schupp D26/40
D622,327 S * 8/2010 Roos D21/398

Fig. 1.8 is a section view taken along the center line of the front view of Fig. 1.2 and viewed from the left side of the article.

1 Claim, 8 Drawing Sheets



(56)

References Cited

U.S. PATENT DOCUMENTS

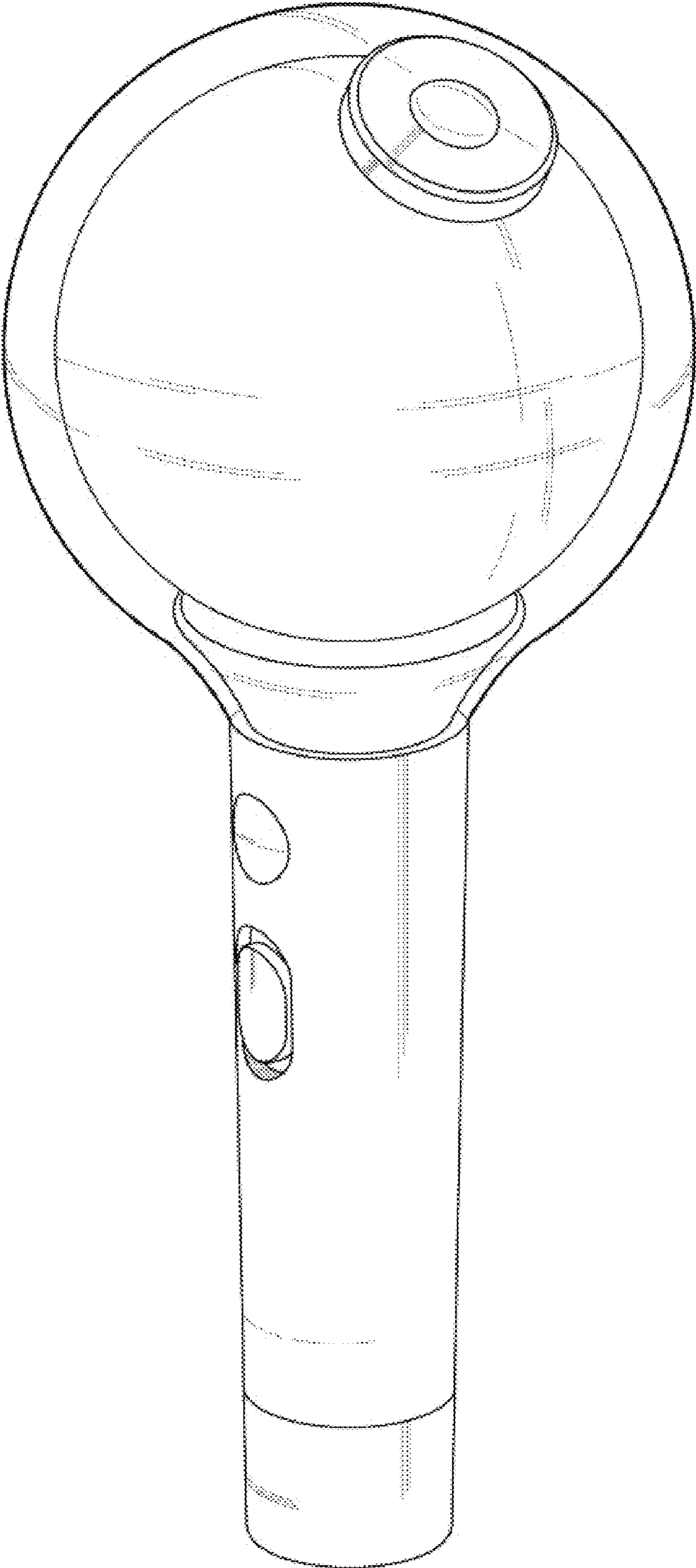
2010/0124867 A1* 5/2010 Kessler A47G 33/06
446/242
2013/0309940 A1* 11/2013 Miyako A63H 33/22
446/485

OTHER PUBLICATIONS

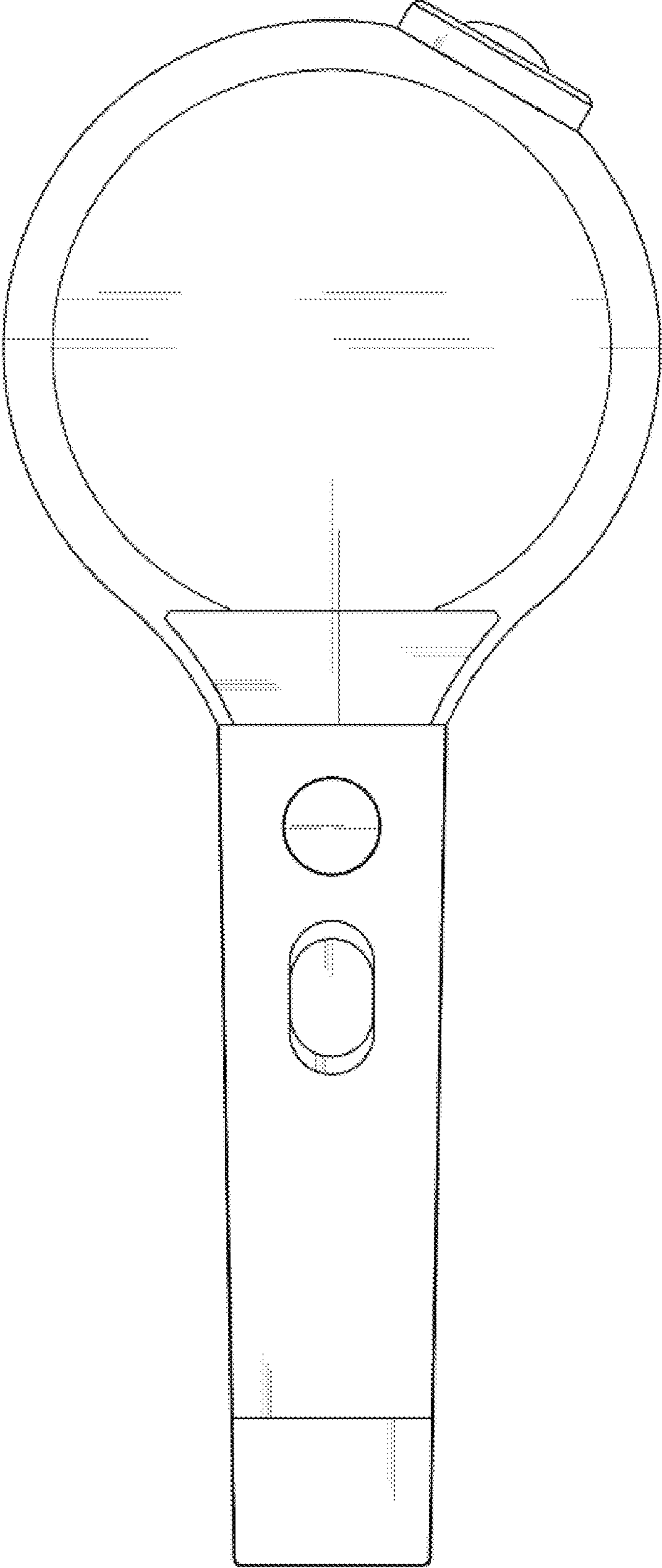
Weverseshop, BTS Official Light Stick Ver 3, Apr. 12, 2020,
Instagram.com. Retrieved from the internet on Jun. 25, 2021 <URL:
<https://www.instagram.com/p/B-56z3Ap9ba>> (Year: 2020).*

* cited by examiner

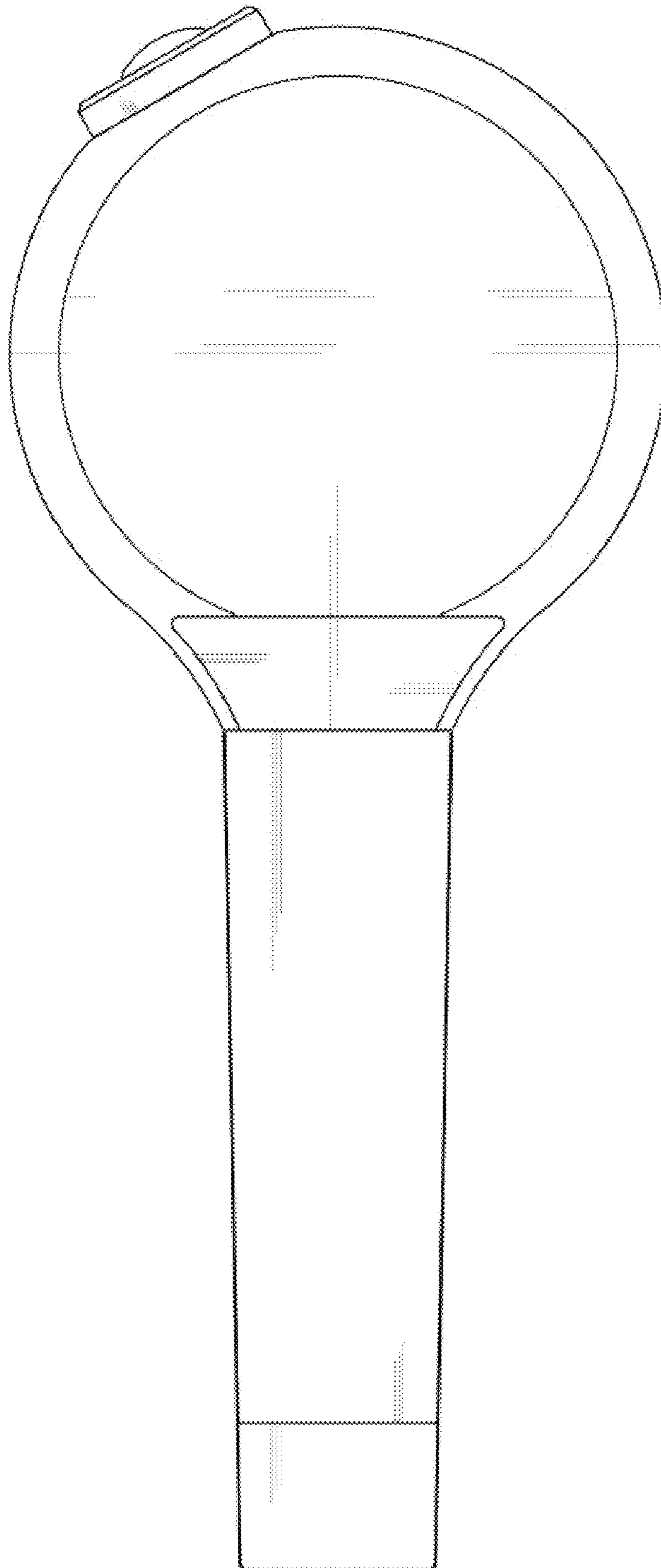
1.1



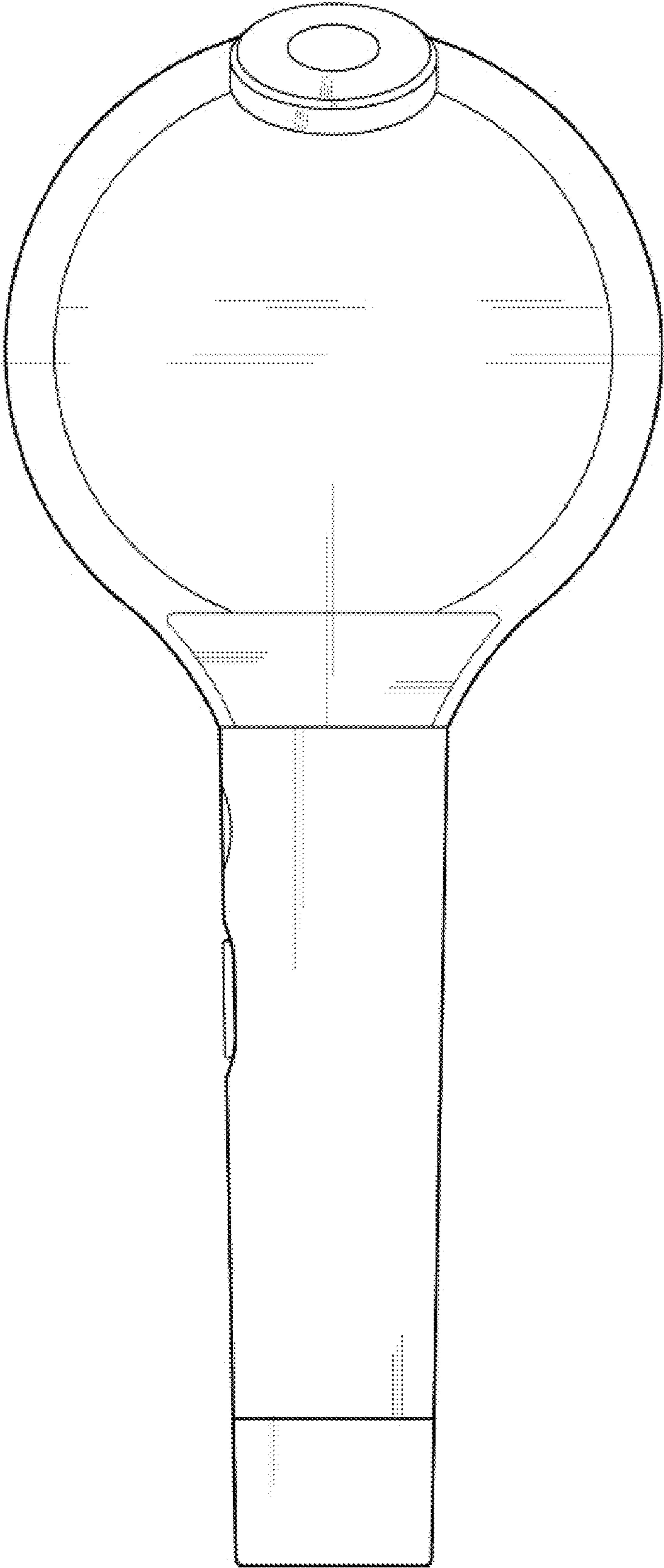
1.2



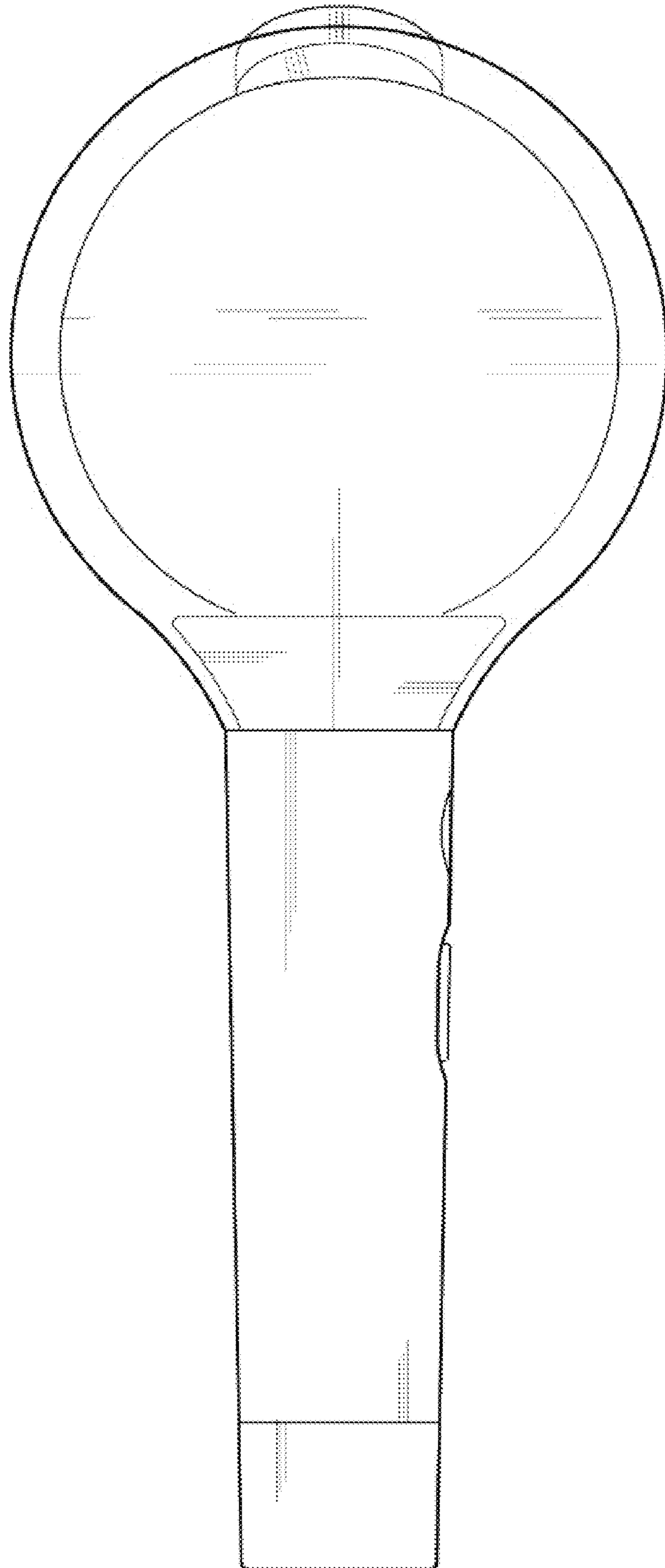
1.3



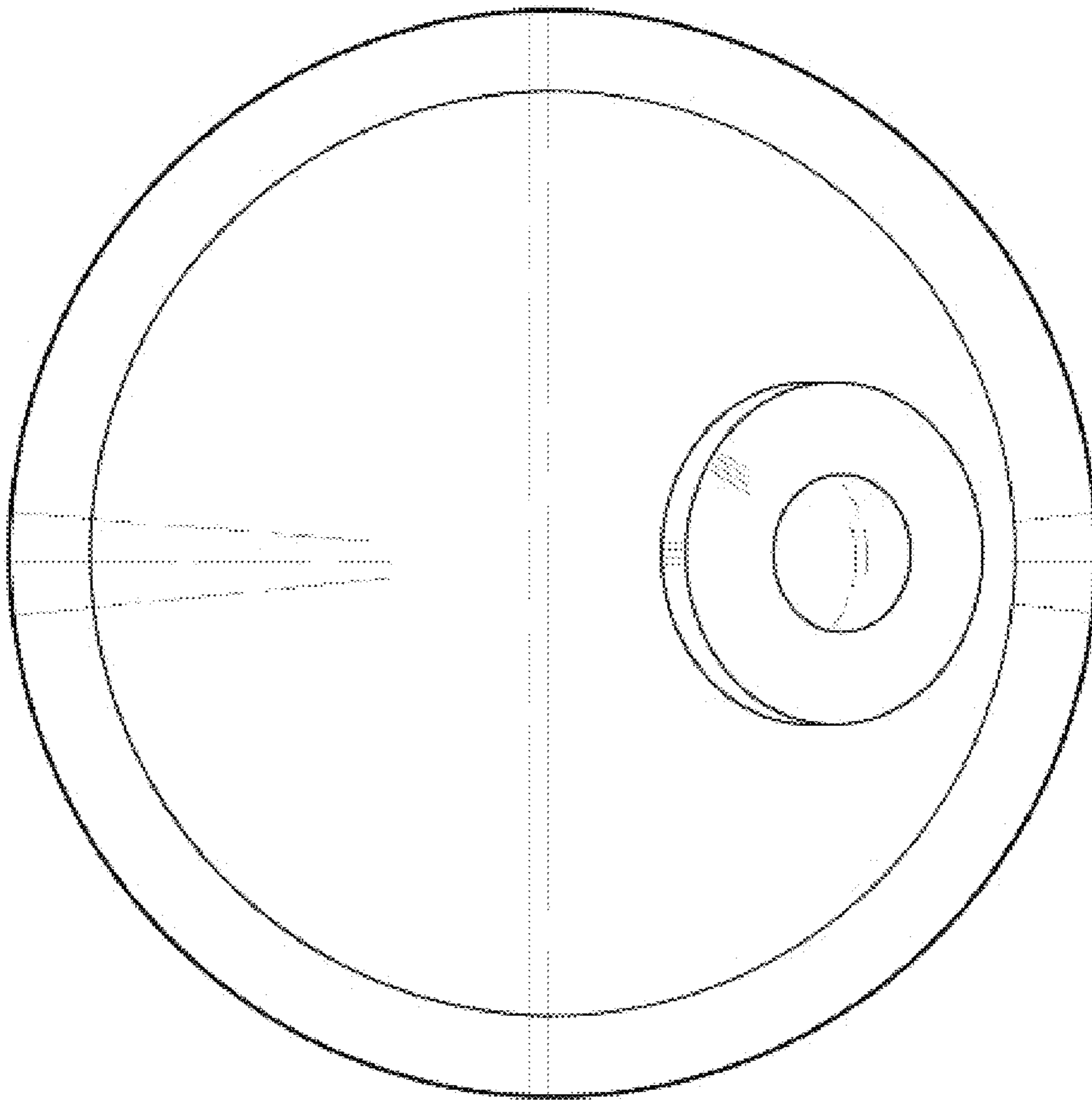
1.4



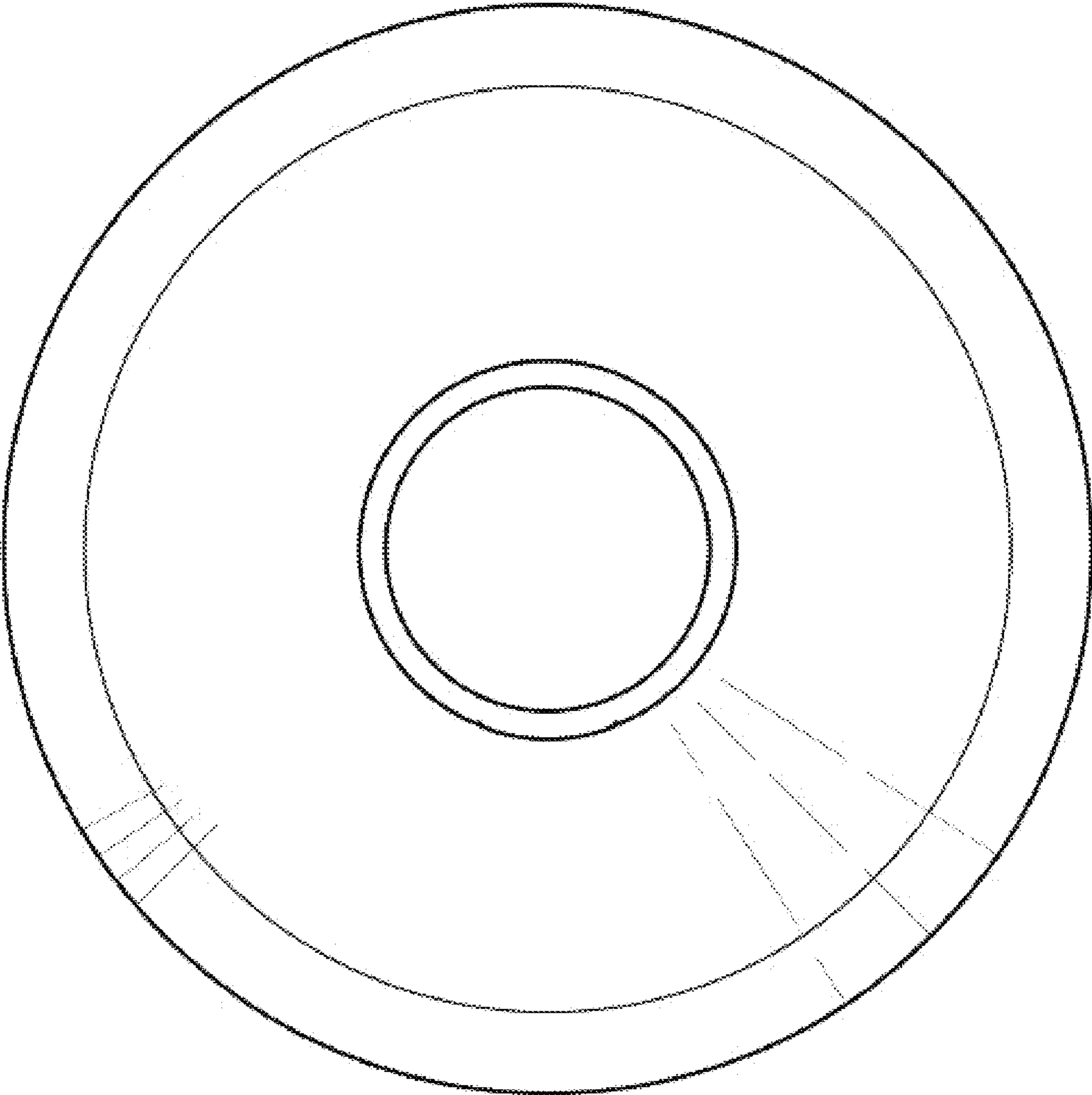
1.5



1.6



1.7



1.8

