



US00D958426S

(12) **United States Design Patent** (10) **Patent No.:** **US D958,426 S**  
**Wu** (45) **Date of Patent:** **\*\* Jul. 19, 2022**

(54) **VEHICLE LIGHT**

(56) **References Cited**

(71) Applicant: **COPLUS INC.**, Tainan (TW)

U.S. PATENT DOCUMENTS

(72) Inventor: **Po-Hua Wu**, Tainan (TW)

D474,290 S *	5/2003	Sawai	.....	D26/28
D549,858 S *	8/2007	Pfeiffer	.....	D26/28
D552,772 S *	10/2007	Davidson	.....	D26/28
D586,010 S *	2/2009	Saracoglu	.....	D26/28
D592,332 S *	5/2009	Hsu	.....	D26/28
D592,336 S *	5/2009	Hsu	.....	D26/28

(73) Assignee: **COPLUS INC.**, Tainan (TW)

(\*\*) Term: **15 Years**

\* cited by examiner

(21) Appl. No.: **29/763,729**

*Primary Examiner* — Marcus A Jackson

(22) Filed: **Dec. 23, 2020**

(74) *Attorney, Agent, or Firm* — Lewis Roca Rothgerber Christie LLP

(30) **Foreign Application Priority Data**

Nov. 13, 2020 (TW) ..... 109306340

(51) **LOC (13) Cl.** ..... **26-06**

(52) **U.S. Cl.**  
USPC ..... **D26/28**

(57) **CLAIM**

The ornamental design for vehicle light, as shown and described.

(58) **Field of Classification Search**

USPC ..... D26/28-36, 139

CPC ..... F21S 48/00; F21S 48/10; F21S 48/115;  
F21S 48/225; F21S 48/1233; F21S  
48/1266; F21S 48/1388; F21S 48/2268;  
F21V 5/00; F21V 21/04; F21V 29/004;  
B60Q 9/13; B60Q 9/135; B60Q 9/1375;  
F21W 2102/17; F21W 2103/00; F21W  
2103/35; F21W 2103/55; F21W 2107/13;  
F21W 2107/17

**DESCRIPTION**

FIG. 1 is a perspective view of a vehicle light;

FIG. 2 is a front view thereof;

FIG. 3 is a back view thereof;

FIG. 4 is a left side view thereof;

FIG. 5 is a right side view thereof;

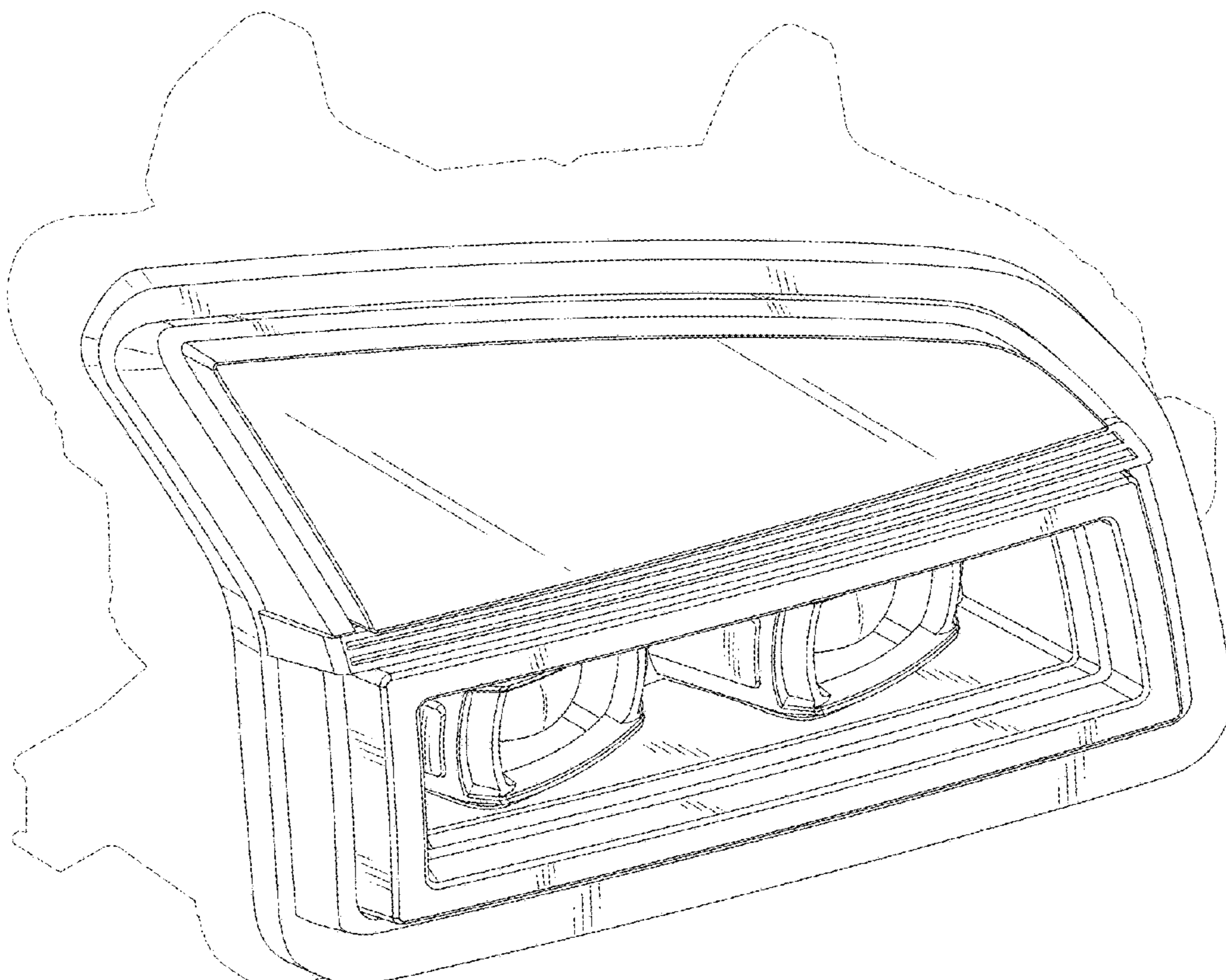
FIG. 6 is a top view thereof; and,

FIG. 7 is a bottom view thereof.

The broken lines in the drawings depict portions of the article that form no part of the claimed design.

See application file for complete search history.

**1 Claim, 7 Drawing Sheets**



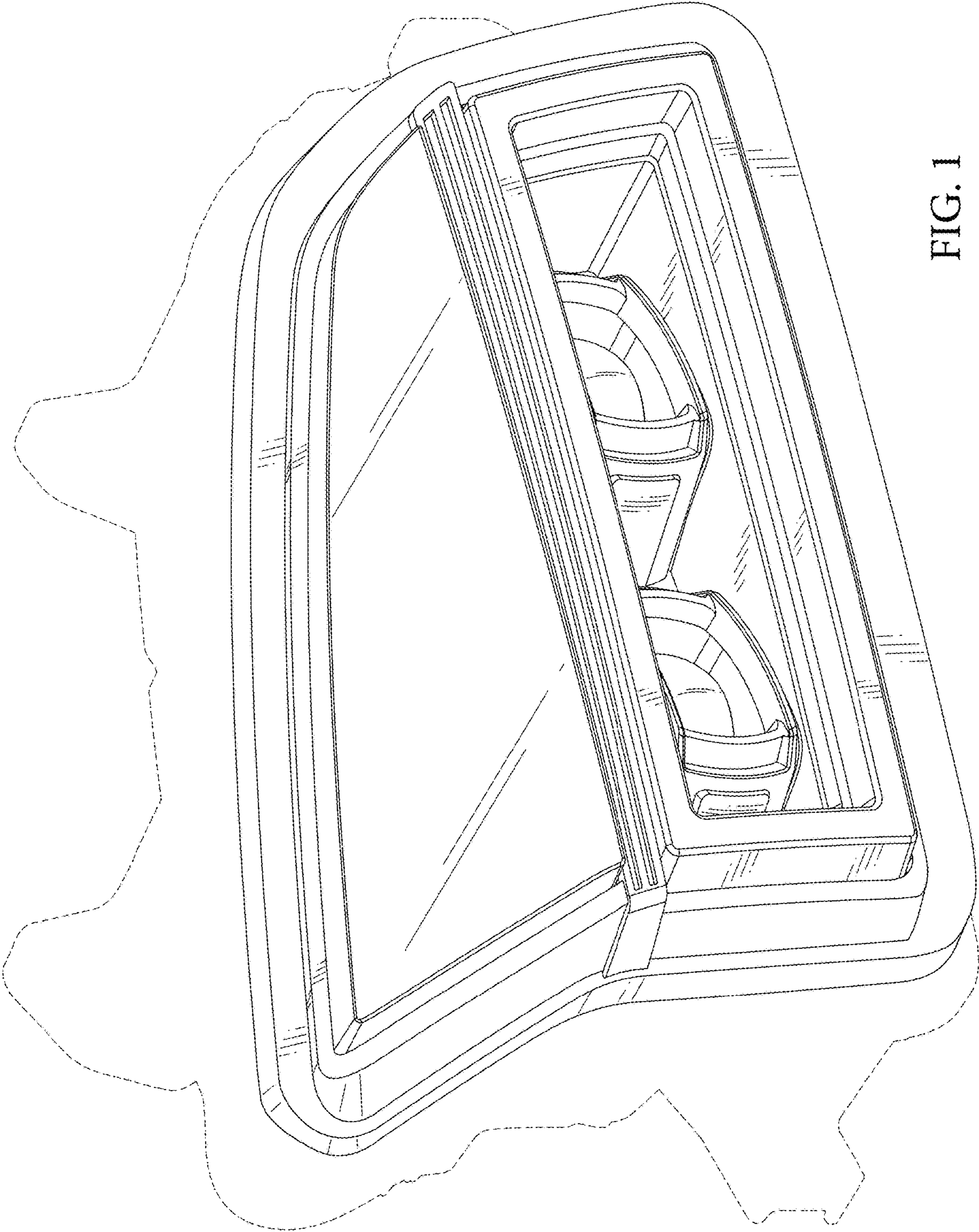


FIG. 1

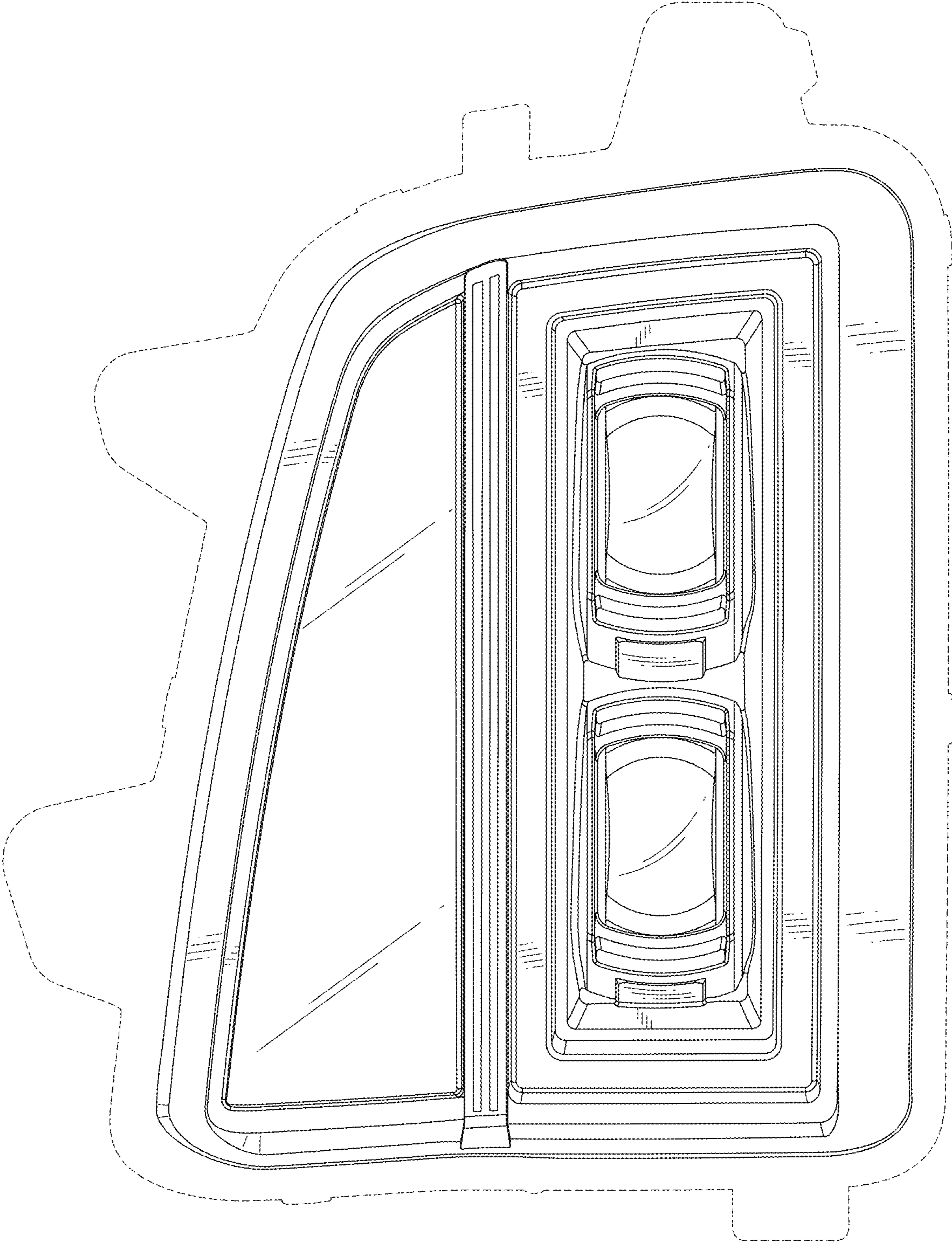


FIG. 2

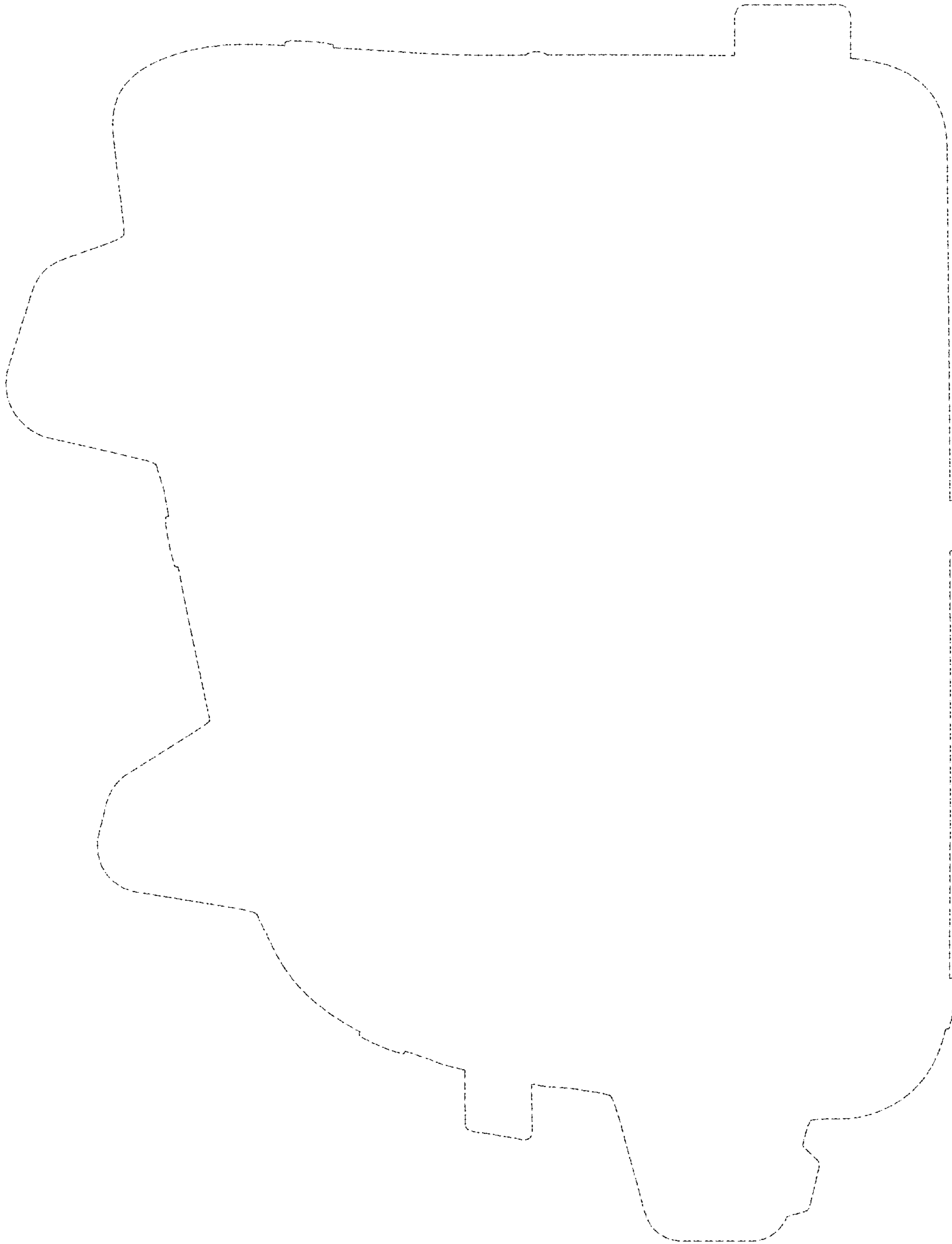


FIG. 3

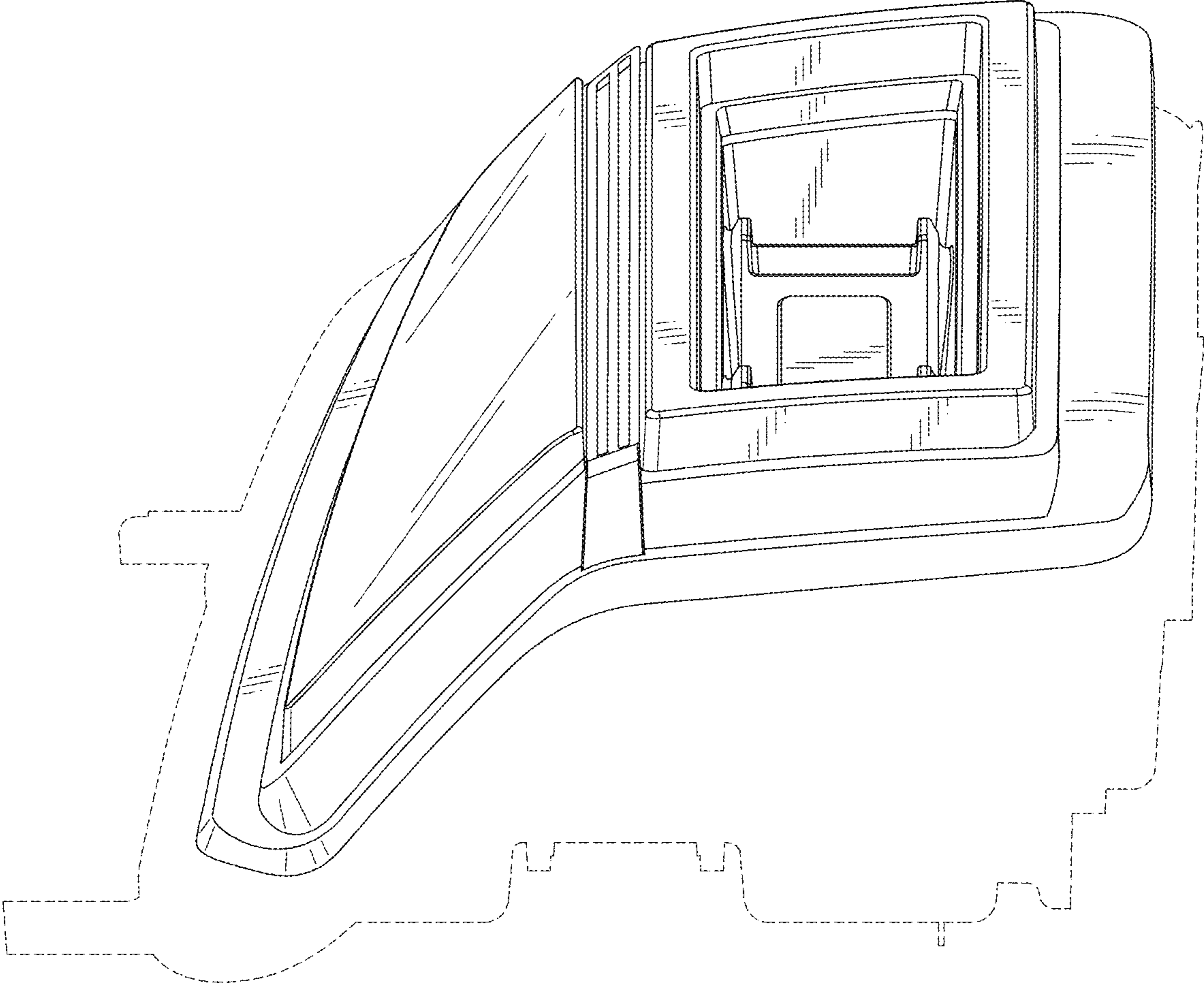


FIG. 4

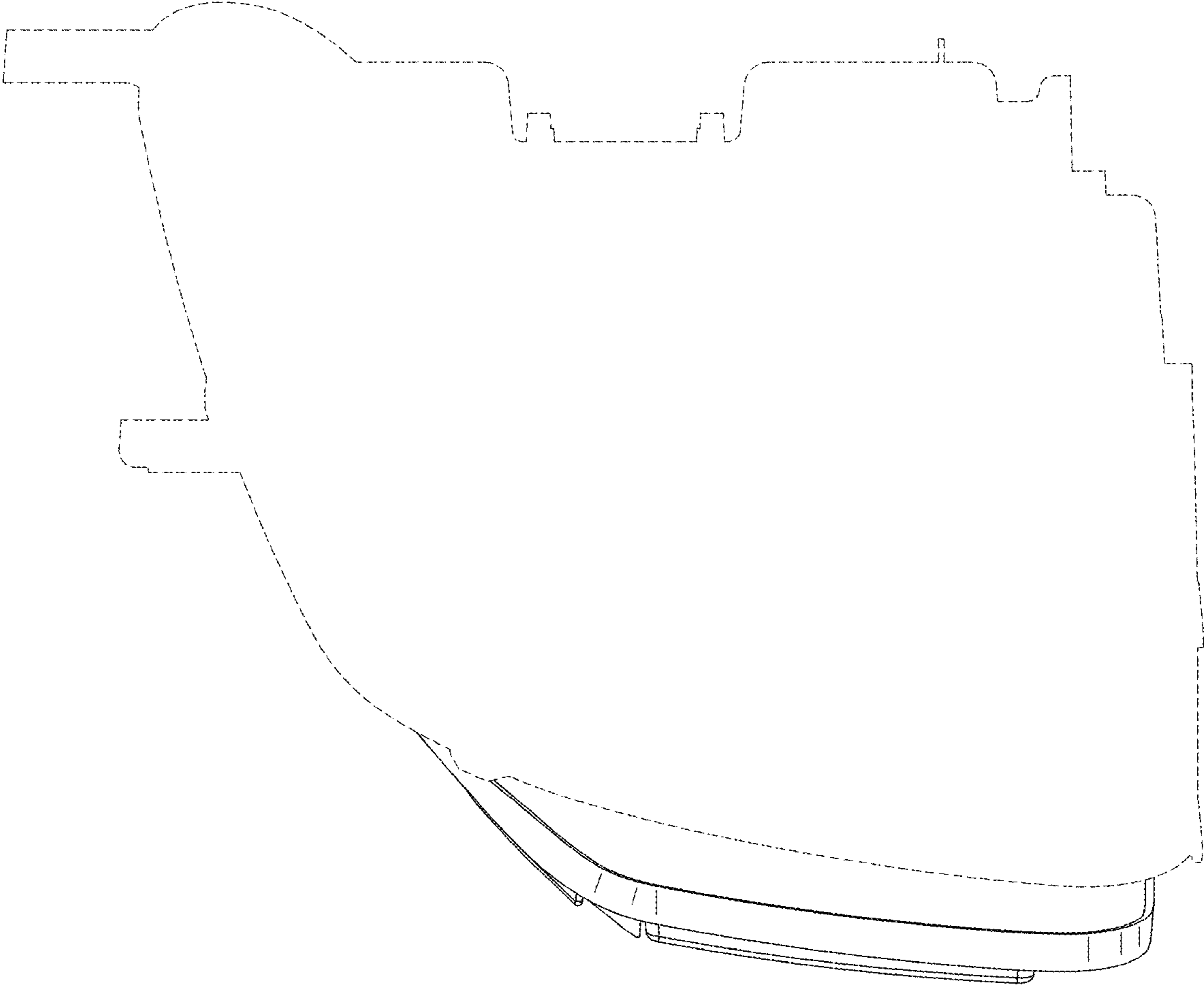


FIG. 5

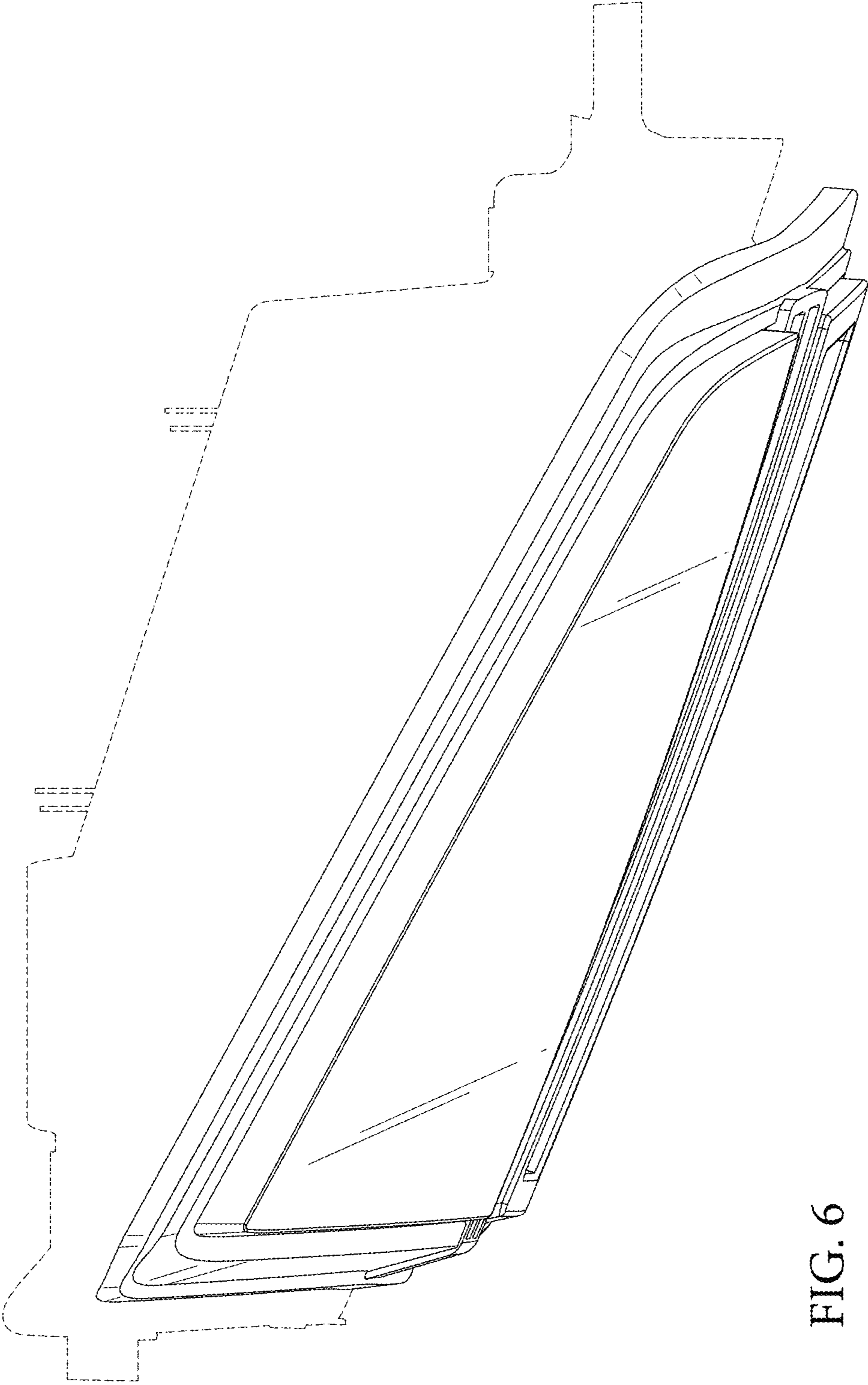


FIG. 6

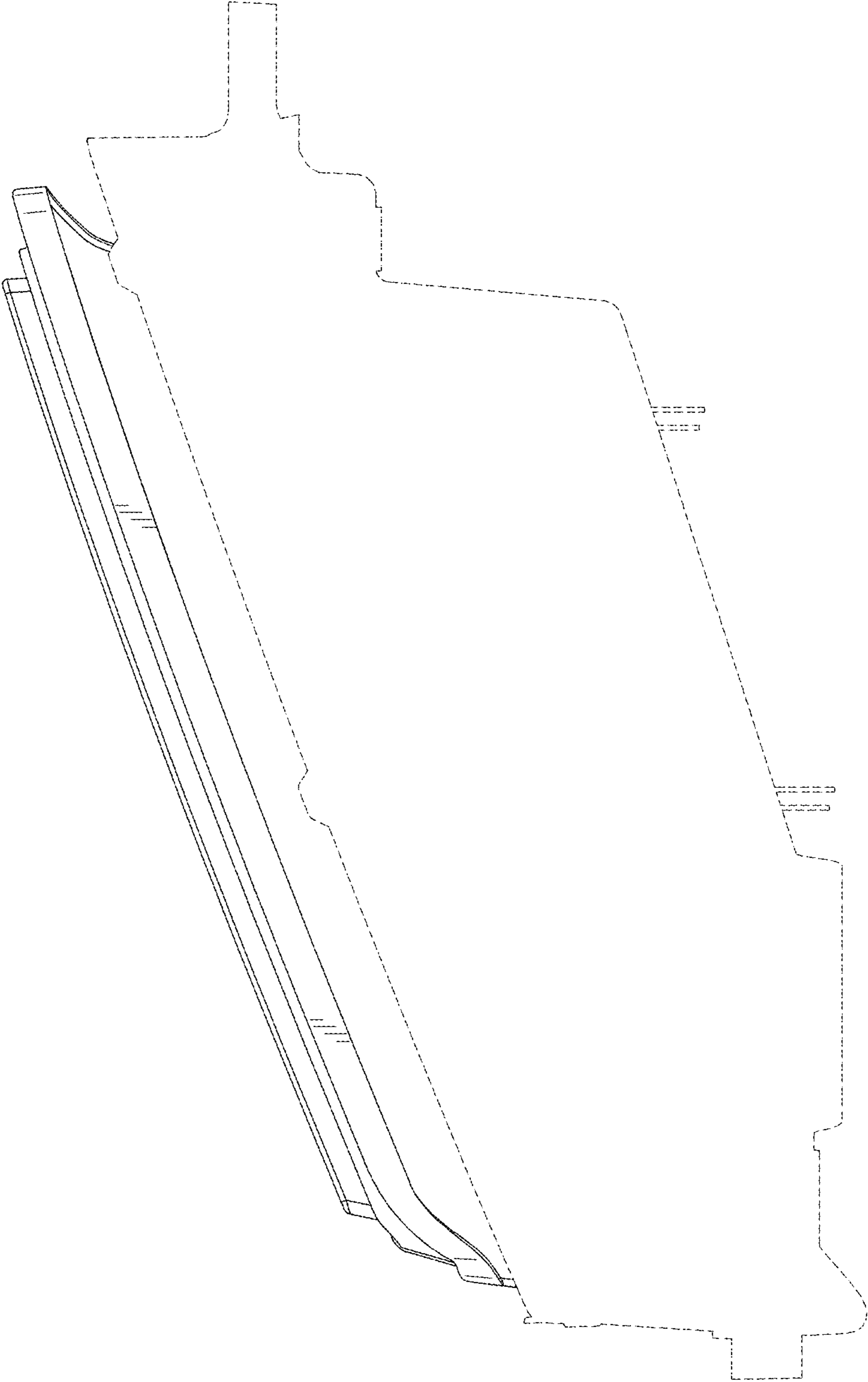


FIG. 7