



US00D958419S

(12) **United States Design Patent** (10) **Patent No.:** **US D958,419 S**
Caussimon (45) **Date of Patent:** **** Jul. 19, 2022**

(54) **VEHICLE WITH ILLUMINABLE REARLIGHT LIGHT SEQUENCE**
(71) Applicant: **Polestar Performance AB**, Gothenburg (SE)

(72) Inventor: **Lena Caussimon**, Gothenburg (SE)
(73) Assignee: **Polestar Performance AB**, Gothenburg (SE)

(**) Term: **15 Years**
(21) Appl. No.: **29/725,120**
(22) Filed: **Feb. 21, 2020**

(30) **Foreign Application Priority Data**
Feb. 14, 2020 (EM) 007695242
(51) **LOC (13) Cl.** **26-06**
(52) **U.S. Cl.**
USPC **D26/28**
(58) **Field of Classification Search**
USPC D26/28, 29, 30, 31, 32, 33, 34, 35, 36
CPC F21S 48/00; F21S 48/10; F21S 48/115;
F21S 48/225; F21S 48/1233; F21S 48/1266; F21S 48/1388; F21S 48/2268;
F21S 41/00; F21S 41/141; F21S 41/162;
F21S 41/18; F21S 41/20; F21S 41/33;
F21S 41/36; F21S 41/60; F21S 43/00;
F21V 21/04; F21W

(Continued)
(56) **References Cited**
U.S. PATENT DOCUMENTS
D403,445 S * 12/1998 Talebi D10/114.1
D708,369 S 7/2014 Song et al.
(Continued)

FOREIGN PATENT DOCUMENTS

TW	D174197	3/2016
TW	D196317	3/2019
TW	D209919	2/2020

OTHER PUBLICATIONS

Application and File history for U.S. Appl. No. 29/725,118, filed Feb. 21, 2020. Inventors: Caussimon.
(Continued)

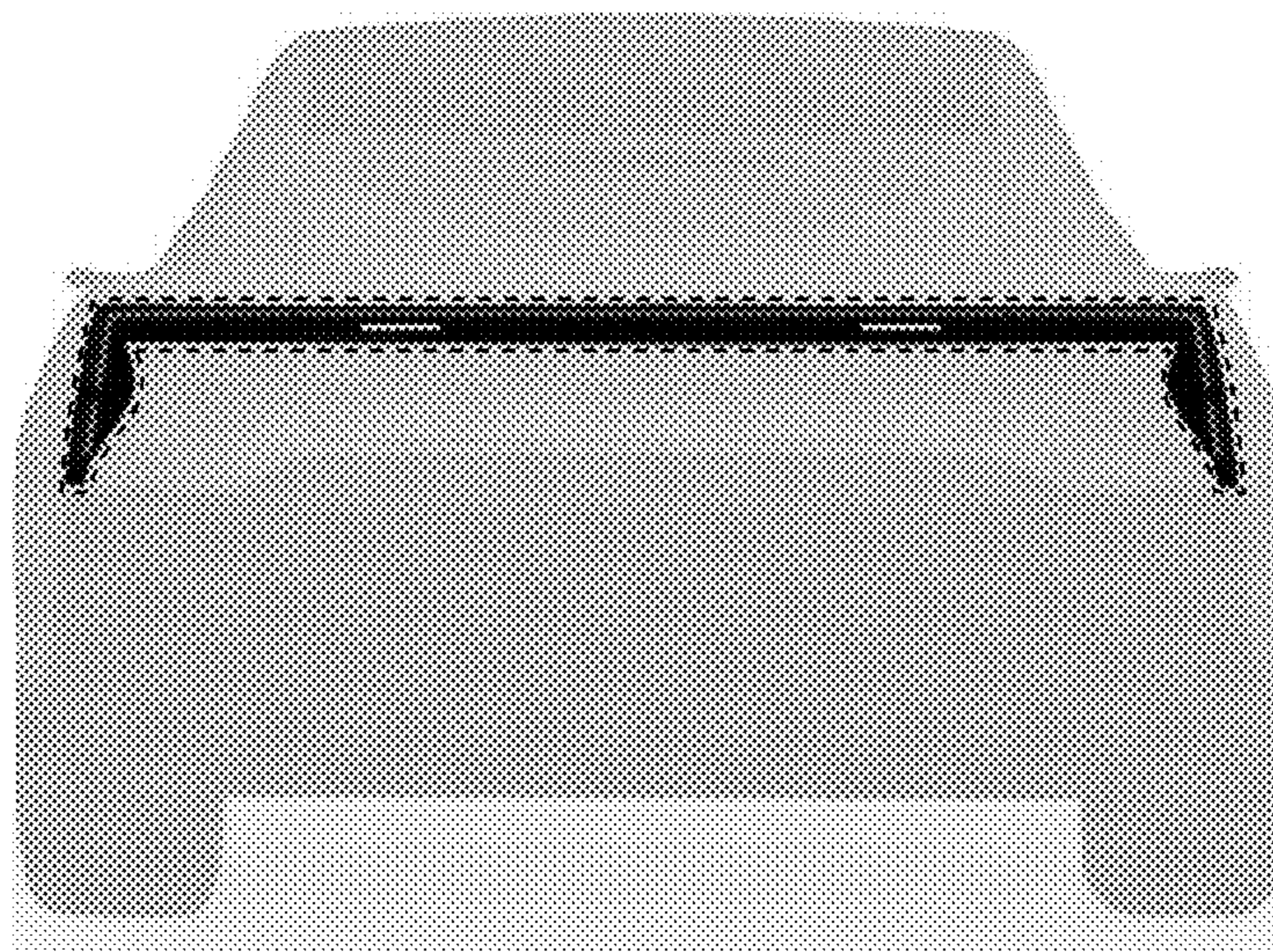
Primary Examiner — Angela J Lee
(74) *Attorney, Agent, or Firm* — Patterson Thuent Pedersen, P.A.

(57) **CLAIM**
I claim the ornamental design for a vehicle with illuminable rearlight light sequence, as shown and described.

DESCRIPTION

The file of this patent contains at least one drawing /photograph executed in color. Copies of this patent with color drawing(s)/photograph(s) will be provided by the Office upon request and payment of the necessary fee.
FIG. 1 is the first state in a sequence of a rear view of a vehicle with illuminable rearlight light sequence.
FIG. 2 is the second state thereof.
FIG. 3 is the third state thereof.
FIG. 4 is the fourth state thereof.
FIG. 5 is the fifth state thereof.
FIG. 6 is the sixth state thereof.
FIG. 7 is the seventh state thereof; and,
FIG. 8 is the eighth state thereof.
The appearance of the vehicle with illuminable rearlight light sequence sequentially transitions between the images shown in FIGS. 1-8.
The process or period in which one image transitions to another forms no part of the claimed design.
The broken lines shown in the drawings represent an unclaimed boundary and form no part of the claimed design.

1 Claim, 8 Drawing Sheets
(8 of 8 Drawing Sheet(s) Filed in Color)



(58) **Field of Classification Search**

CPC 2103/35; F21W 2103/40; F21W 2102/17;
F21W 2102/30; F21W 2103/00; F21W
2103/55; F21W 2104/00; F21W 2107/17;
F21W 2107/13

See application file for complete search history.

D837,422 S * 1/2019 Yamashita D26/28
D837,427 S 1/2019 Lee et al.
D838,017 S * 1/2019 Nurnberger D26/28
D845,520 S * 4/2019 Mössner D26/28
D861,201 S * 9/2019 Fisker D26/28
D870,931 S 12/2019 Woodhouse et al.
D872,325 S * 1/2020 Bauer D26/28

(56)

References Cited

U.S. PATENT DOCUMENTS

D712,075 S * 8/2014 Pavani D26/28
D743,588 S 11/2015 Wolff et al.
D747,016 S 1/2016 George et al.
D757,316 S * 5/2016 Wymore D26/31
D782,087 S * 3/2017 Youn D26/28
D791,375 S * 7/2017 Lichte D26/28
D801,558 S * 10/2017 Segui D26/28
D806,917 S * 1/2018 Hoffman D26/28
D822,243 S * 7/2018 Lee D26/28

OTHER PUBLICATIONS

Application and File history for U.S. Appl. No. 29/725,123, filed Feb. 21, 2020. Inventors: Caussimon.

Application and File history for U.S. Appl. No. 29/725,124, filed Feb. 21, 2020. Inventors: Caussimon.

Application and File history for U.S. Appl. No. 29/746,647, filed Aug. 14, 2020. Inventors: Hammerbeck.

Taiwan Application No. 109304525, Search Report dated Apr. 7, 2021, 1 page.

* cited by examiner

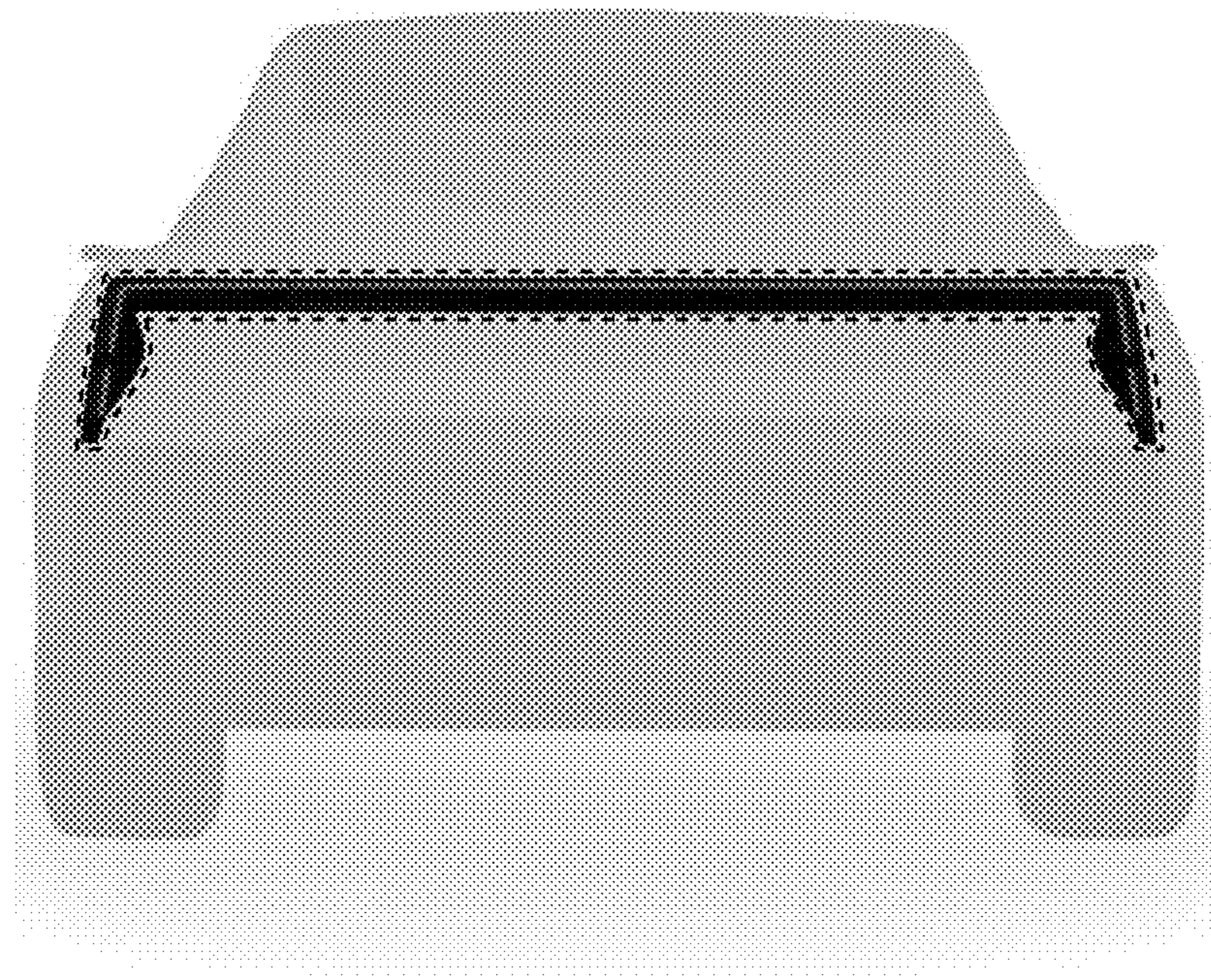


FIG. 1

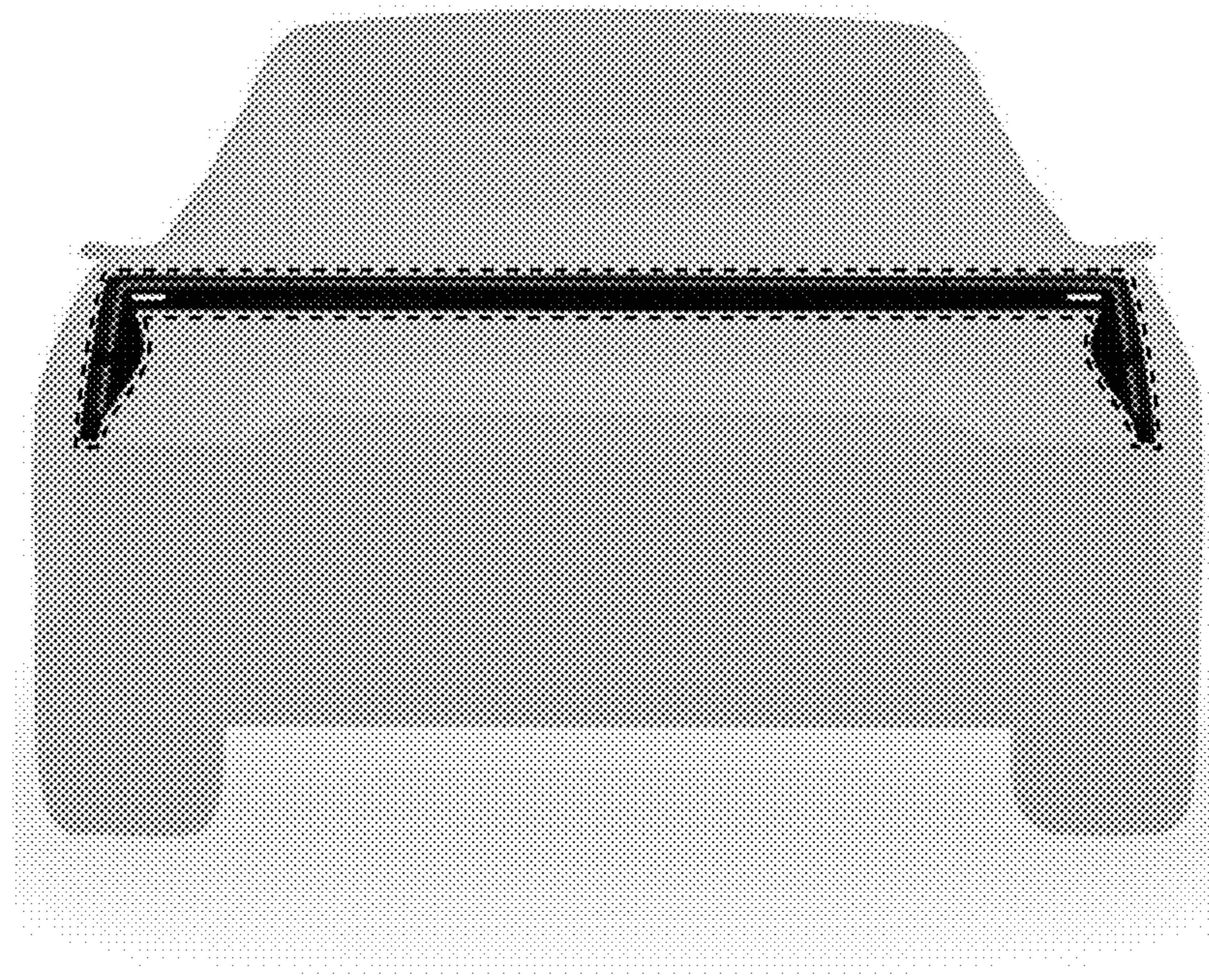


FIG. 2

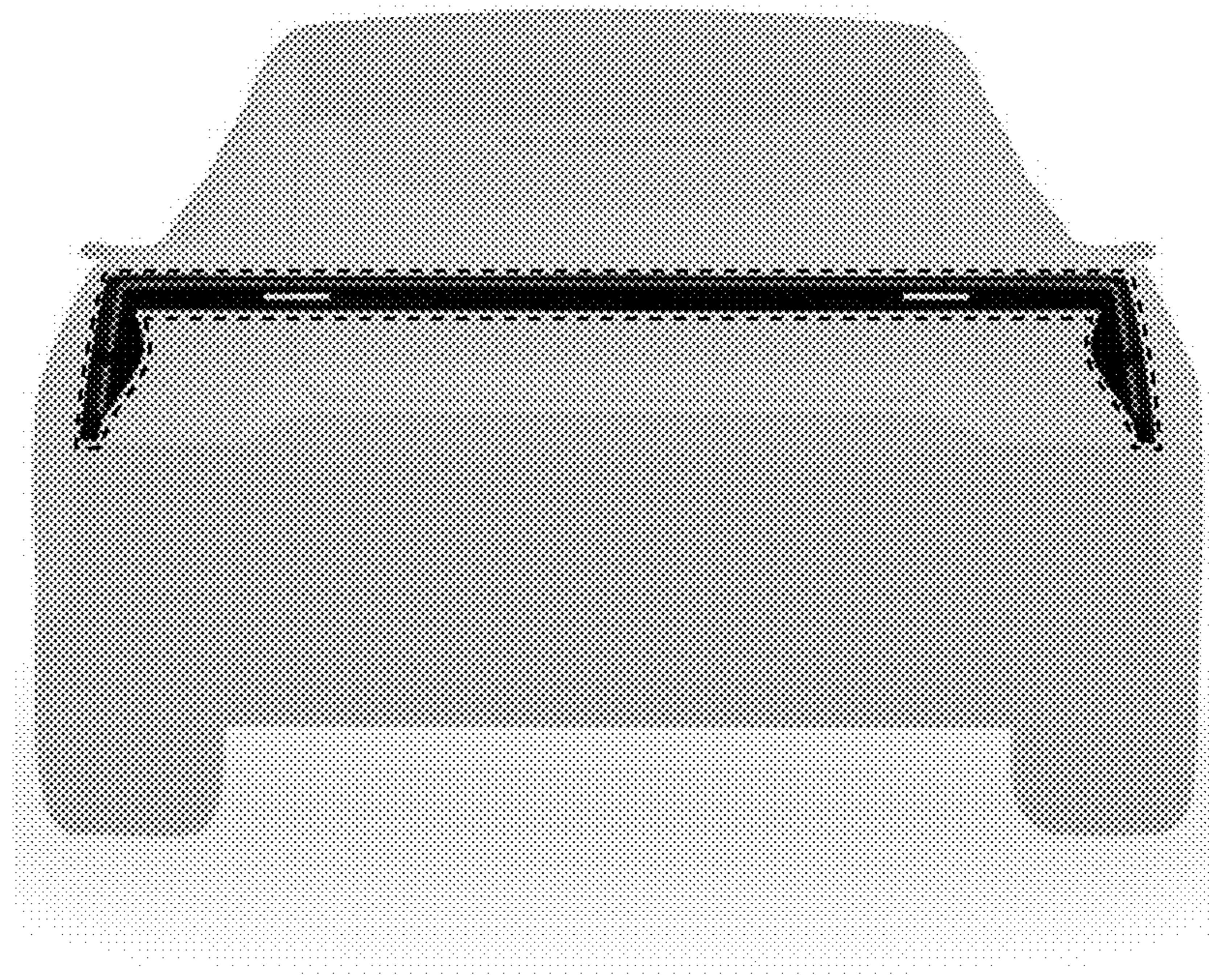


FIG. 3

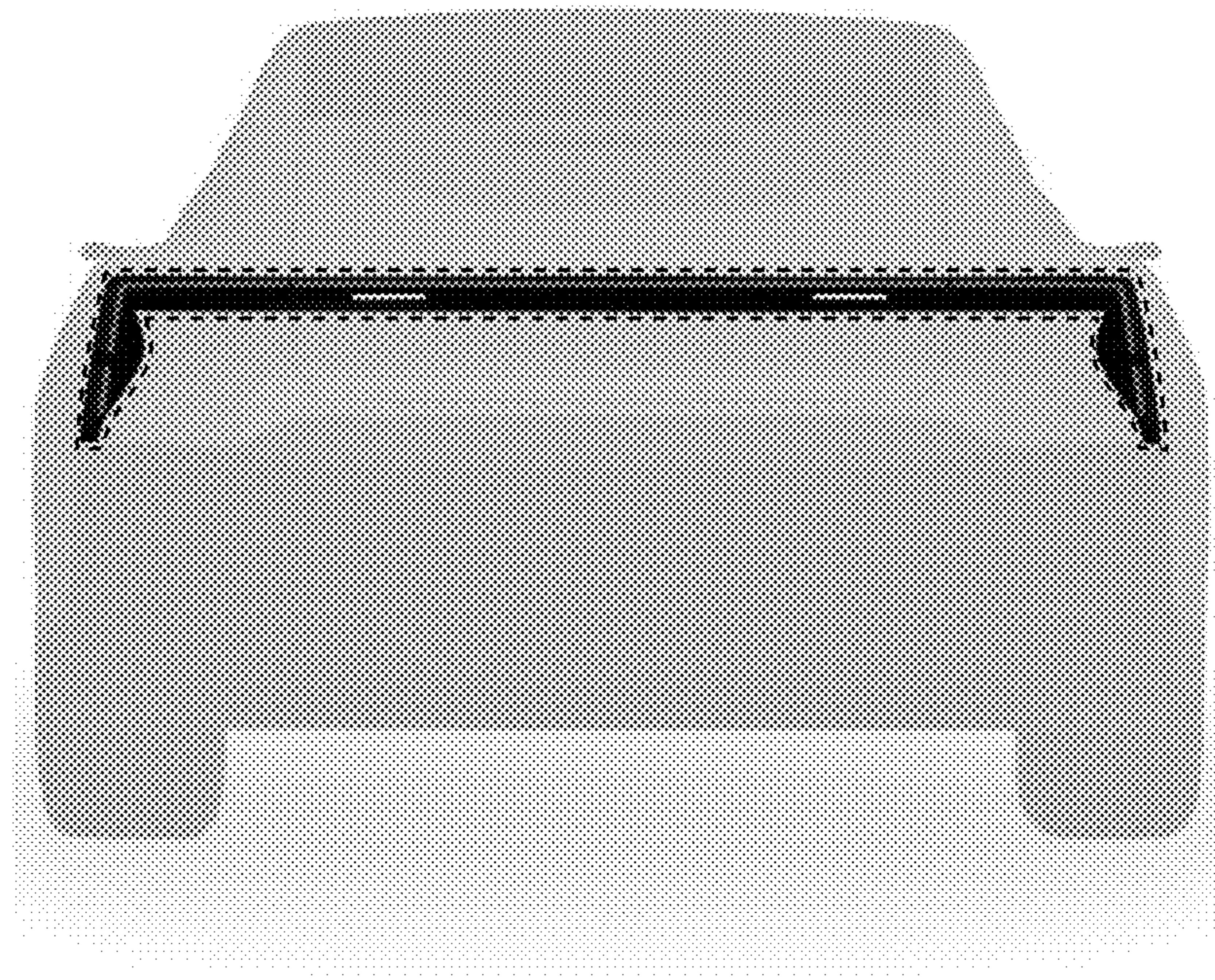


FIG. 4

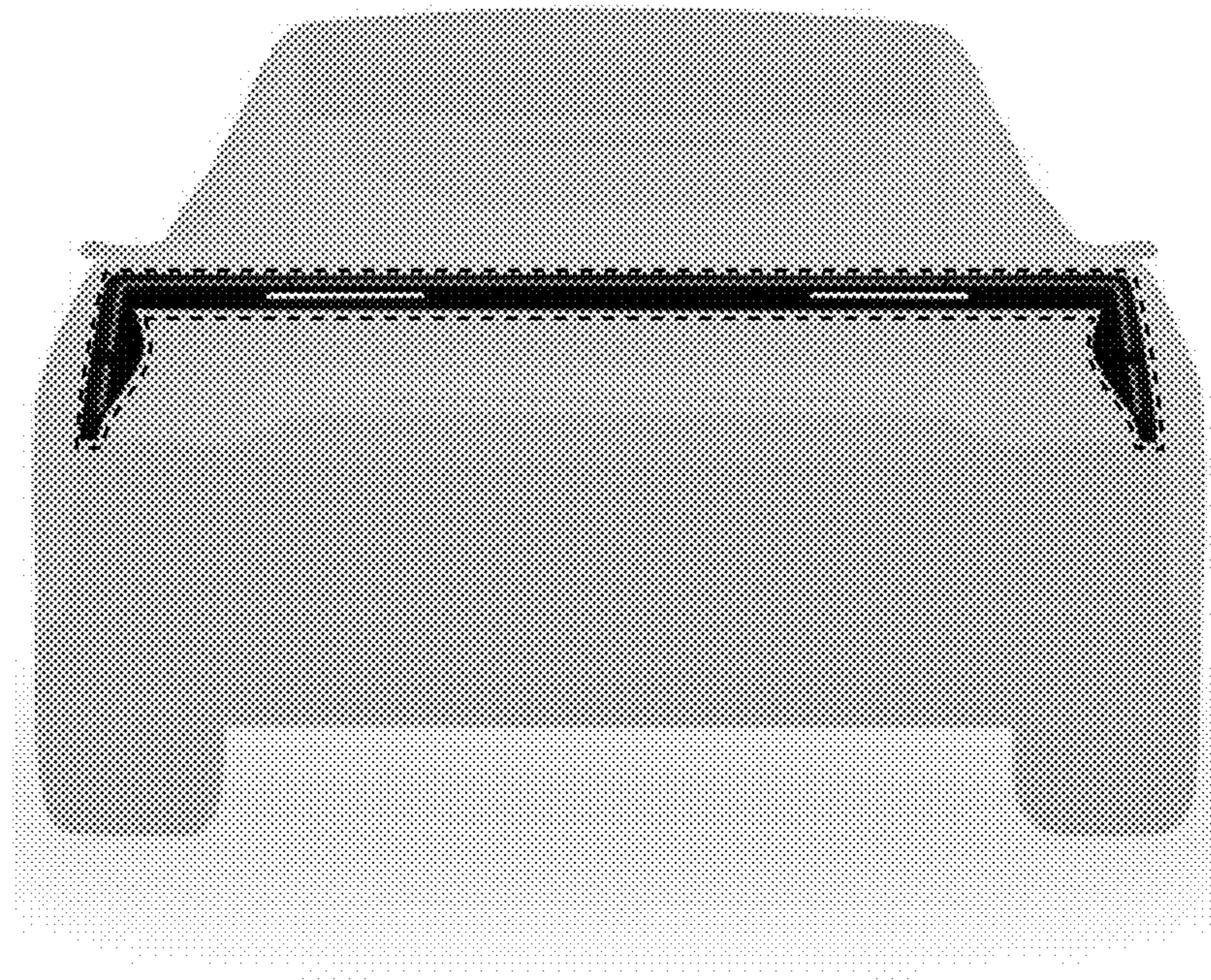


FIG. 5

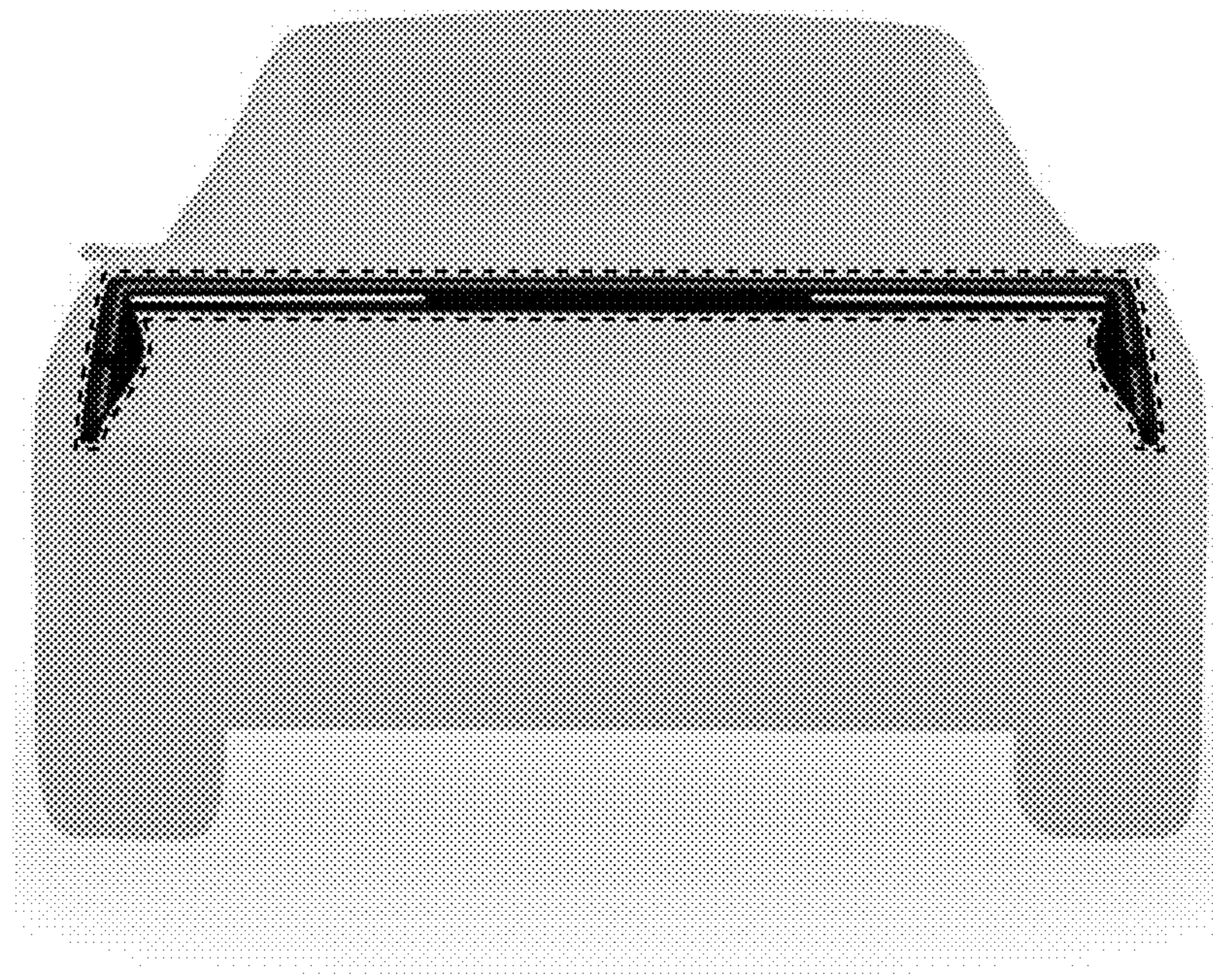


FIG. 6

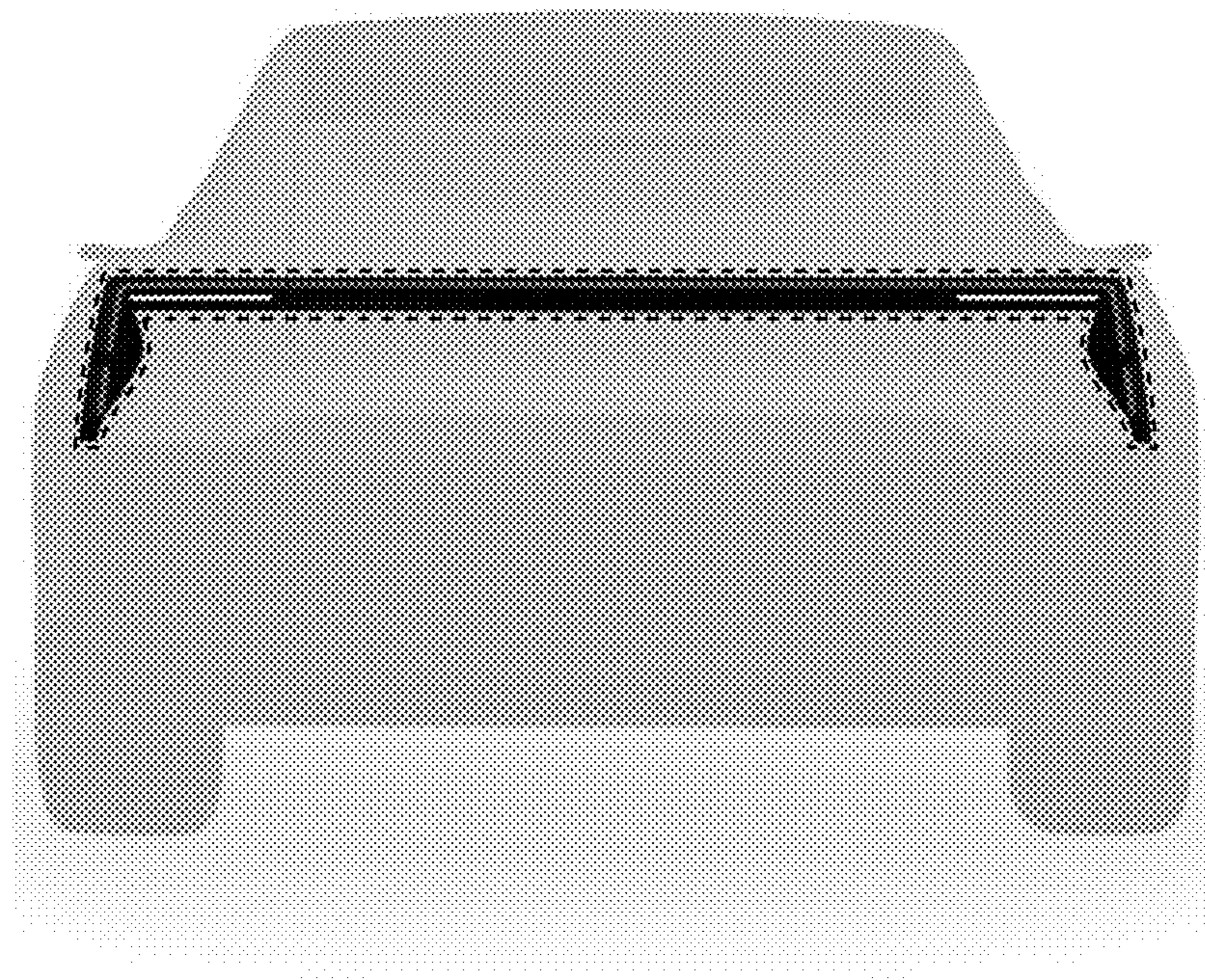


FIG. 7

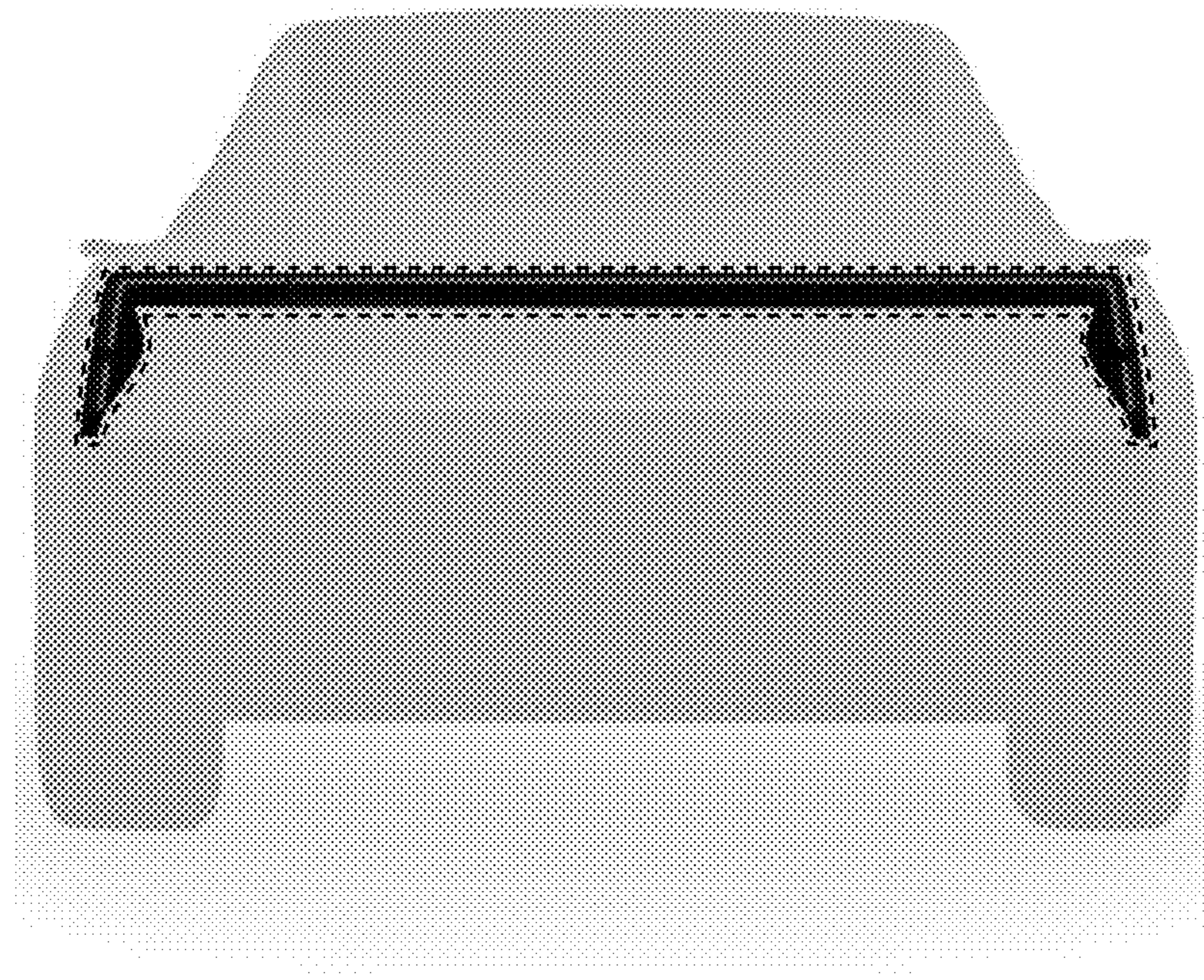


FIG. 8