



US00D958413S

(12) **United States Design Patent**
James et al.

(10) **Patent No.:** **US D958,413 S**

(45) **Date of Patent:** **** Jul. 19, 2022**

(54) **LANDSCAPE EDGING**

(71) Applicant: **Dimex, LLC**, Marietta, OH (US)

(72) Inventors: **Lyle A. James**, Kettering, OH (US);
Kevin R. Morey, Marietta, OH (US)

(73) Assignee: **Dimex, LLC**, Marietta, OH (US)

(**) Term: **15 Years**

(21) Appl. No.: **29/747,518**

(22) Filed: **Aug. 24, 2020**

(51) **LOC (13) Cl.** **25-01**

(52) **U.S. Cl.**
USPC **D25/113**

(58) **Field of Classification Search**

USPC D21/484-504; D25/112-118, 164
CPC E04B 2/08; A01G 9/28
See application file for complete search history.

(56) **References Cited**

U.S. PATENT DOCUMENTS

457,886 A 8/1891 Landis
992,529 A 5/1911 Abraham
1,666,613 A 4/1928 Woods
2,164,681 A 7/1939 Fould

(Continued)

OTHER PUBLICATIONS

HomeDepot ProFlex <https://www.homedepot.com/p/ProFlex-Decorative-Faux-Stone-10-ft-x-2-7-in-Brown-Plastic-No-Dig-Landscape-Edging-Kit-3602B-10C-6/318722629#overlay> Oct. 29, 2021 (Year: 2021).*

(Continued)

Primary Examiner — Leanne Was-Englehart

(74) *Attorney, Agent, or Firm* — Wood Herron & Evans
LLP

(57) **CLAIM**

The ornamental design for a landscape edging, as shown and described.

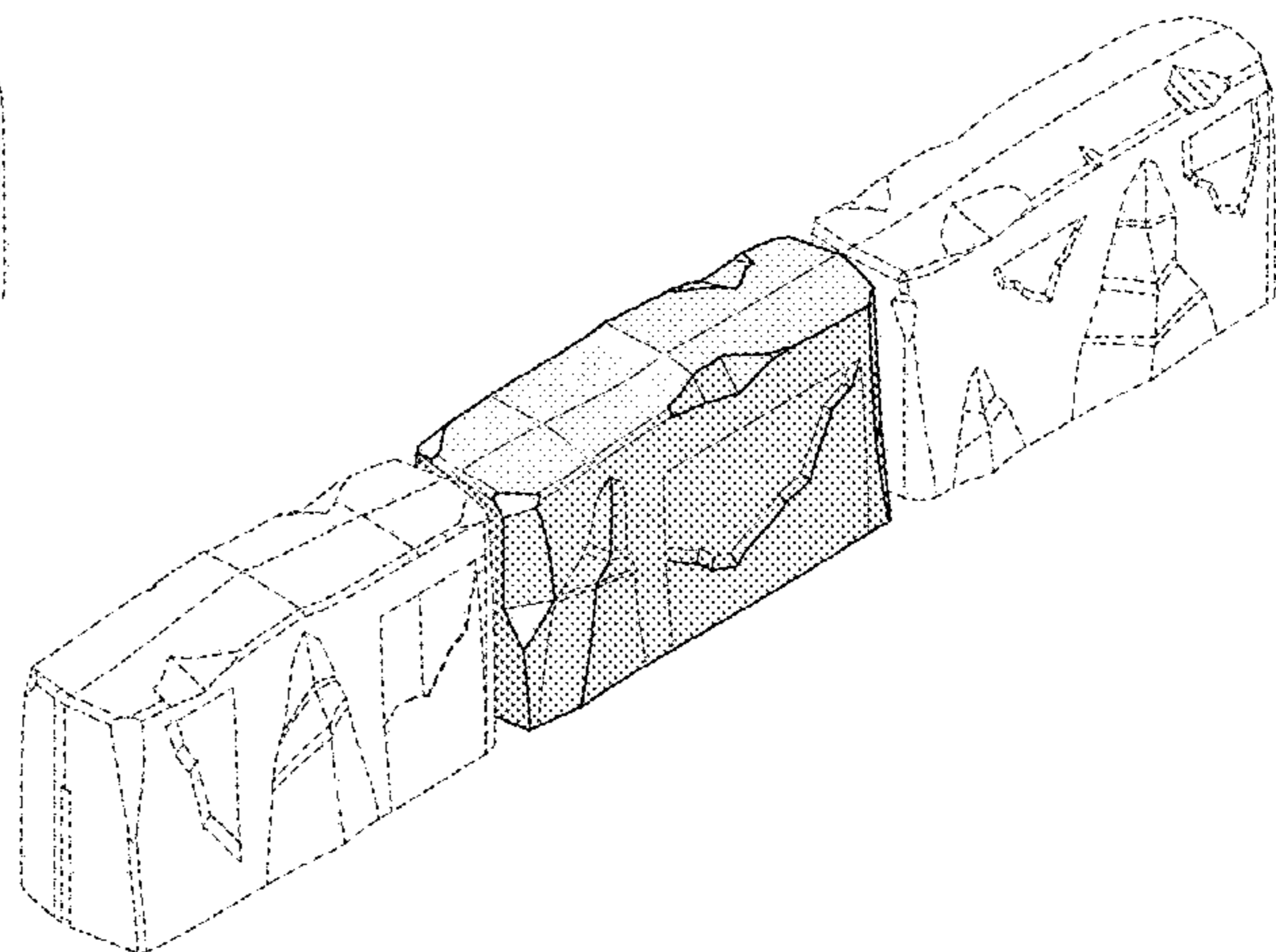
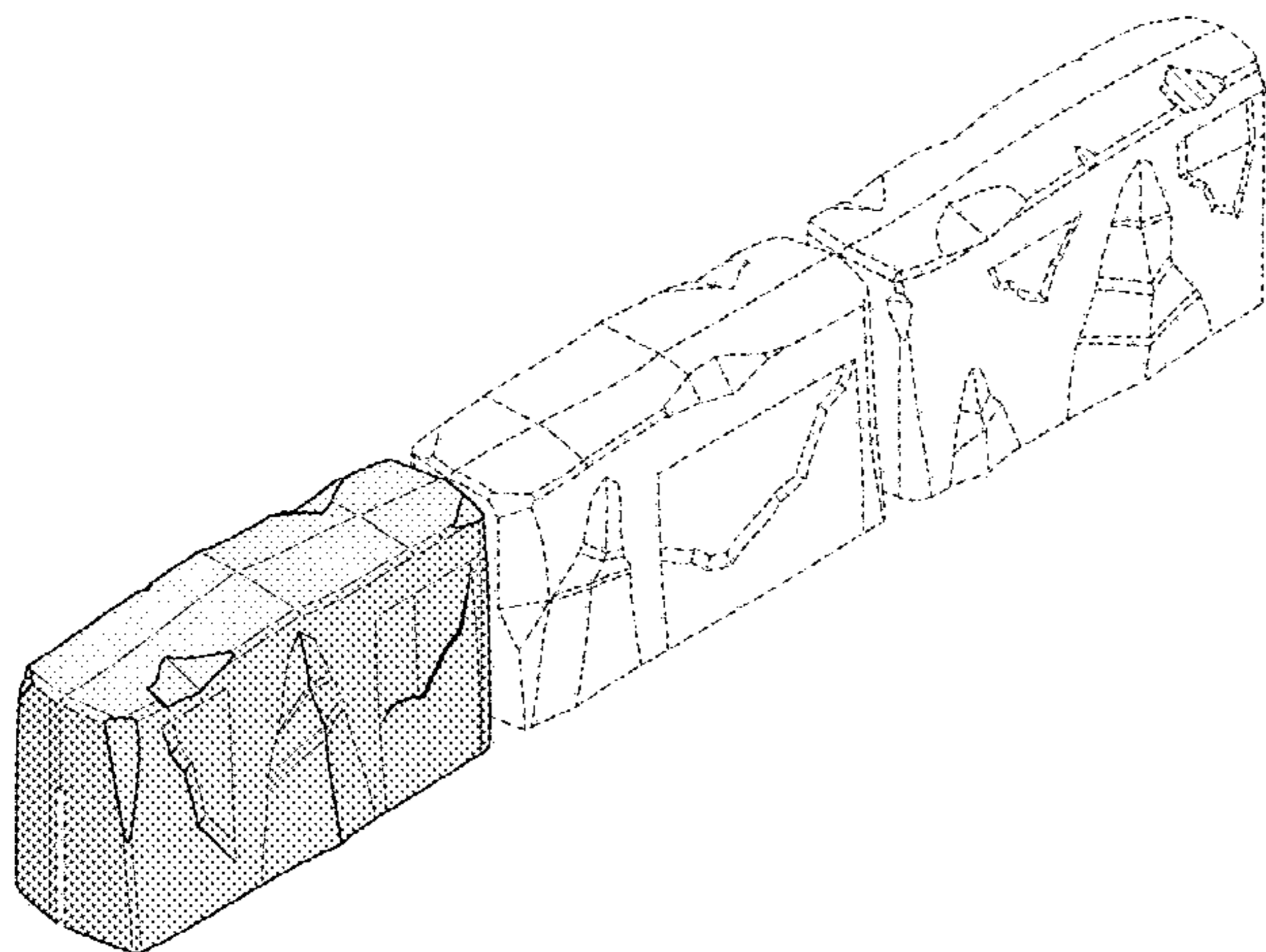
DESCRIPTION

FIG. 1 is a front left isometric view of a landscape edging showing our new design;
FIG. 2 is a rear right isometric view thereof;
FIG. 3 is a front elevation view thereof;
FIG. 4 is a rear elevation view thereof;
FIG. 5 is a right-side elevation view thereof;
FIG. 6 is a left-side elevation view thereof;
FIG. 7 is a top plan view thereof;
FIG. 8 is a bottom plan view thereof.
FIG. 9 is a front left isometric view of an alternative embodiment of our new design;
FIG. 10 is a rear right isometric view thereof;
FIG. 11 is a front elevation view thereof;
FIG. 12 is a rear elevation view thereof;
FIG. 13 is a right-side elevation view thereof;
FIG. 14 is a left-side elevation view thereof;
FIG. 15 is a top plan view thereof;
FIG. 16 is a bottom plan view thereof;
FIG. 17 is a front left isometric view of another alternative embodiment of our new design;
FIG. 18 is a rear right isometric view thereof;
FIG. 19 is a front elevation view thereof;
FIG. 20 is a rear elevation view thereof;
FIG. 21 is a right-side elevation view thereof;
FIG. 22 is a left-side elevation view thereof;
FIG. 23 is a top plan view thereof; and,
FIG. 24 is a bottom plan view thereof.

The broken dash lines in the figures depict portions of the landscape edging that form no part of the claimed design. Neither the portions of the landscape edging shown in broken dash line nor the broken dash lines themselves form any part of the claimed invention.

Where included, the use of stippling is provided to show contrast in appearance and to differentiate between different areas of the design. The stippling is not intended to represent any specific color, texture and/or material.

1 Claim, 15 Drawing Sheets



(56)

References Cited

U.S. PATENT DOCUMENTS

2,809,809 A 10/1957 Johnston
 2,887,600 A 5/1959 Fyler
 3,520,082 A 7/1970 Smith
 3,619,944 A 11/1971 Matvey
 3,728,837 A 4/1973 Kiefer, Jr.
 3,815,311 A 6/1974 Nisula et al.
 D257,064 S 9/1980 Kobee
 4,905,442 A 3/1990 Daniels
 D329,709 S 9/1992 Strobl, Jr.
 5,414,956 A 5/1995 Kheradpir
 D361,853 S 8/1995 Northrop
 5,445,362 A 8/1995 Reppert
 D366,191 S 1/1996 Gay
 D385,050 S 10/1997 Gay
 5,930,947 A 8/1999 Eckhoff
 D416,096 S 11/1999 Tisbo et al.
 D426,322 S 6/2000 Anderson et al.
 6,138,406 A 10/2000 Clark, Jr.

D448,861 S * 10/2001 Daniels D25/113
 6,643,977 B1 11/2003 Drysdale
 D646,403 S * 10/2011 MacDonald D25/113
 D674,510 S * 1/2013 Riccobene D25/113
 D680,233 S * 4/2013 Riccobene D25/113
 D680,663 S * 4/2013 Riccobene D25/113
 D680,664 S * 4/2013 Riccobene D25/113
 D701,974 S * 4/2014 Karau D25/113
 9,832,934 B2 * 12/2017 Riccobene A01G 9/28
 D882,126 S 4/2020 Amrine et al.
 2001/0045056 A1 11/2001 Hulett
 2003/0126807 A1 7/2003 Daniels et al.
 2016/0242364 A1 * 8/2016 Riccobene A01G 9/28

OTHER PUBLICATIONS

Amazon.com Suncast Interlocking Border Edging <https://www.amazon.com/dp/B00C9RYWYW?tag=pfhome0f-20&linkCode=osi&th=1> May 26, 2018 (Year: 2018).*

* cited by examiner

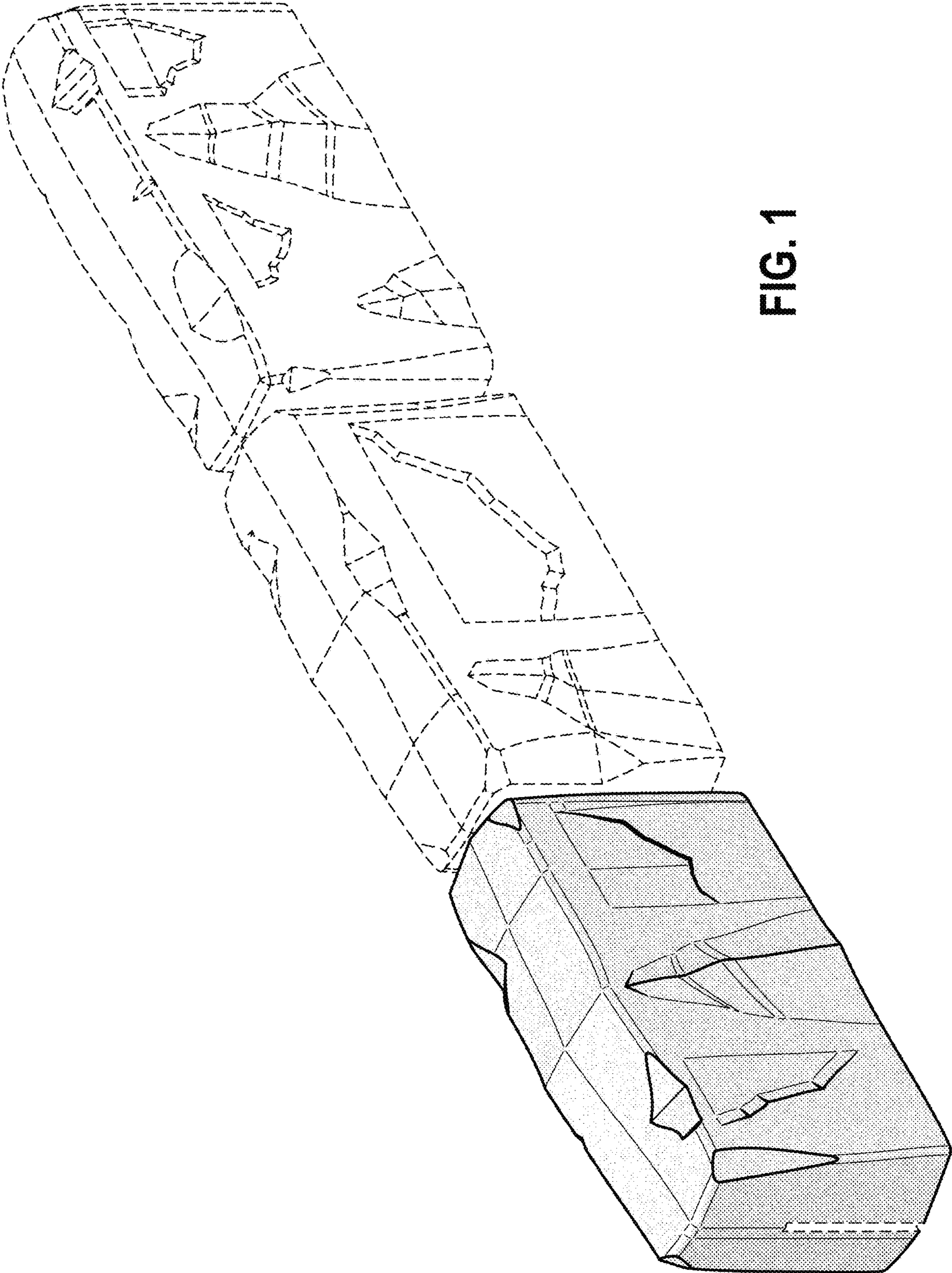


FIG. 1

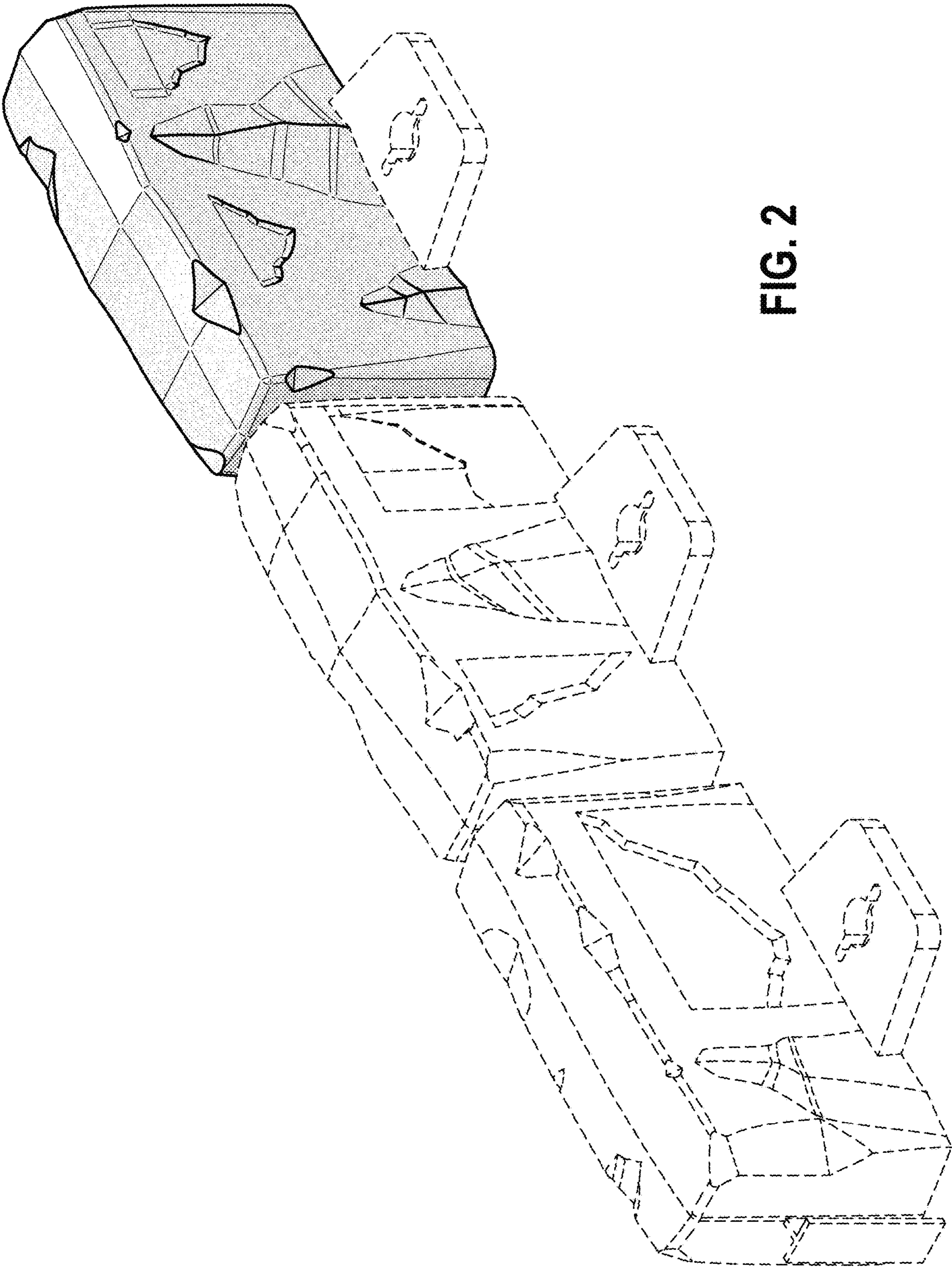


FIG. 2

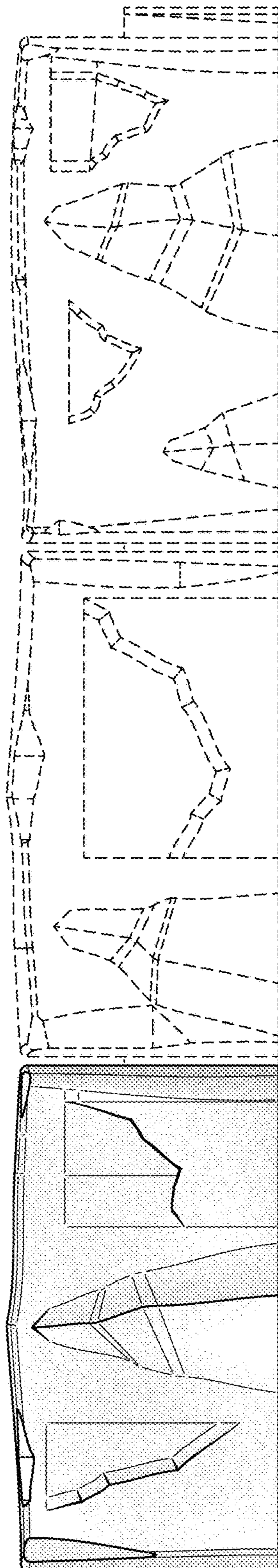


FIG. 3

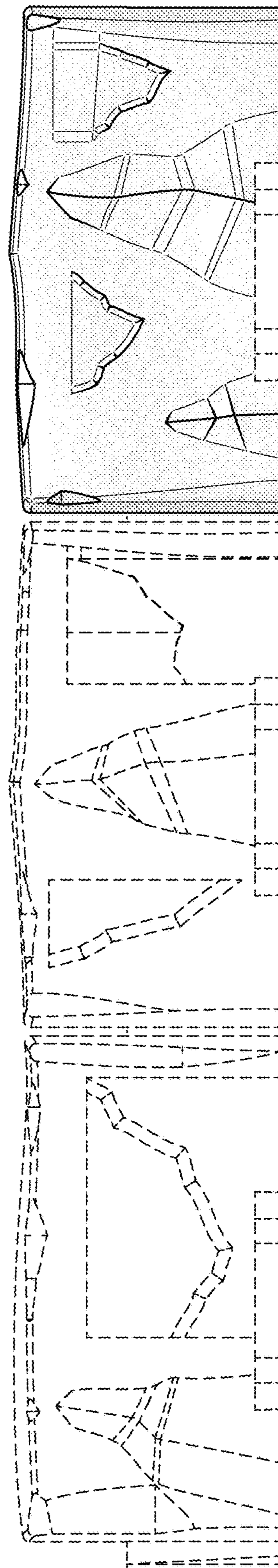


FIG. 4

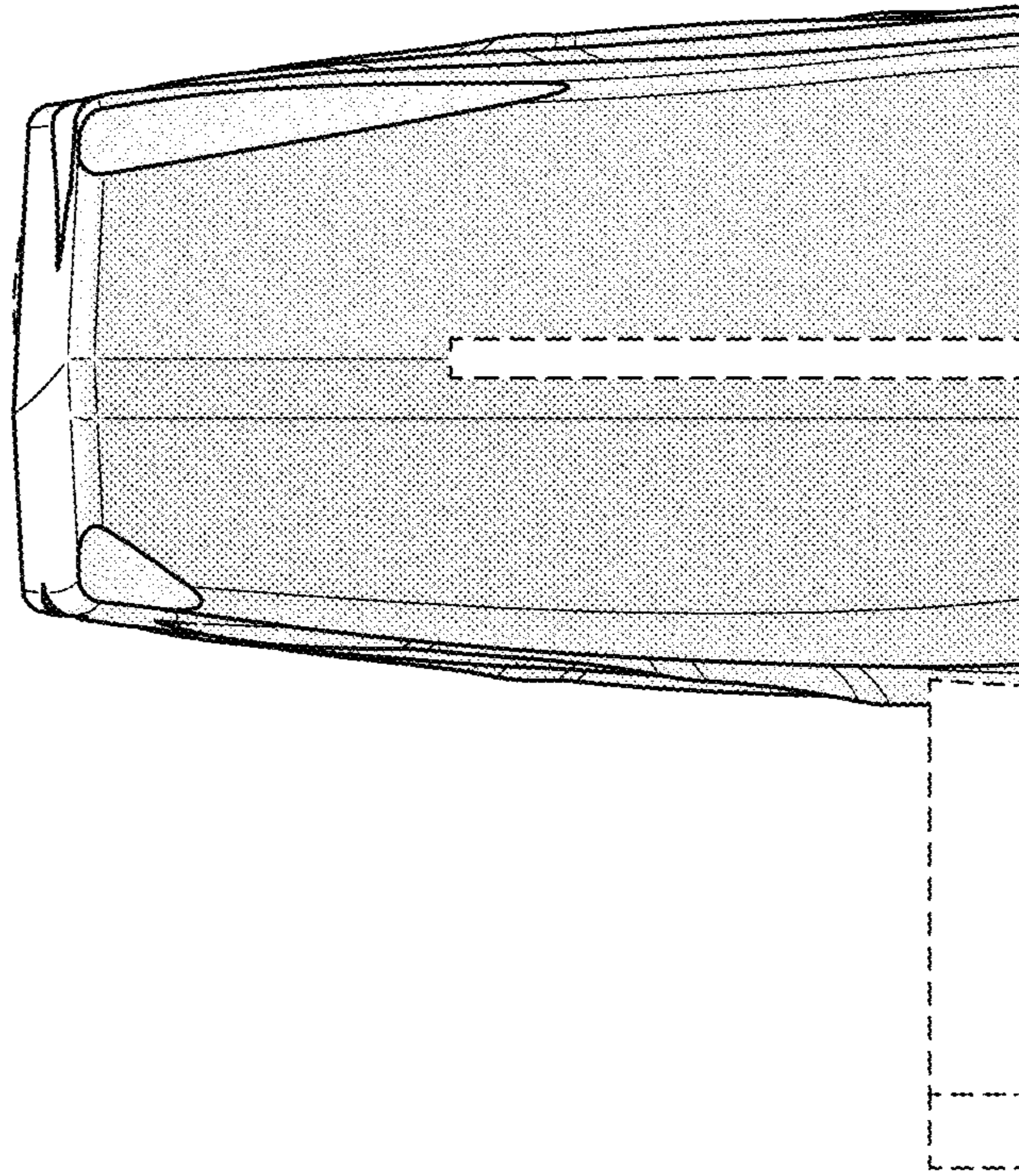


FIG. 6

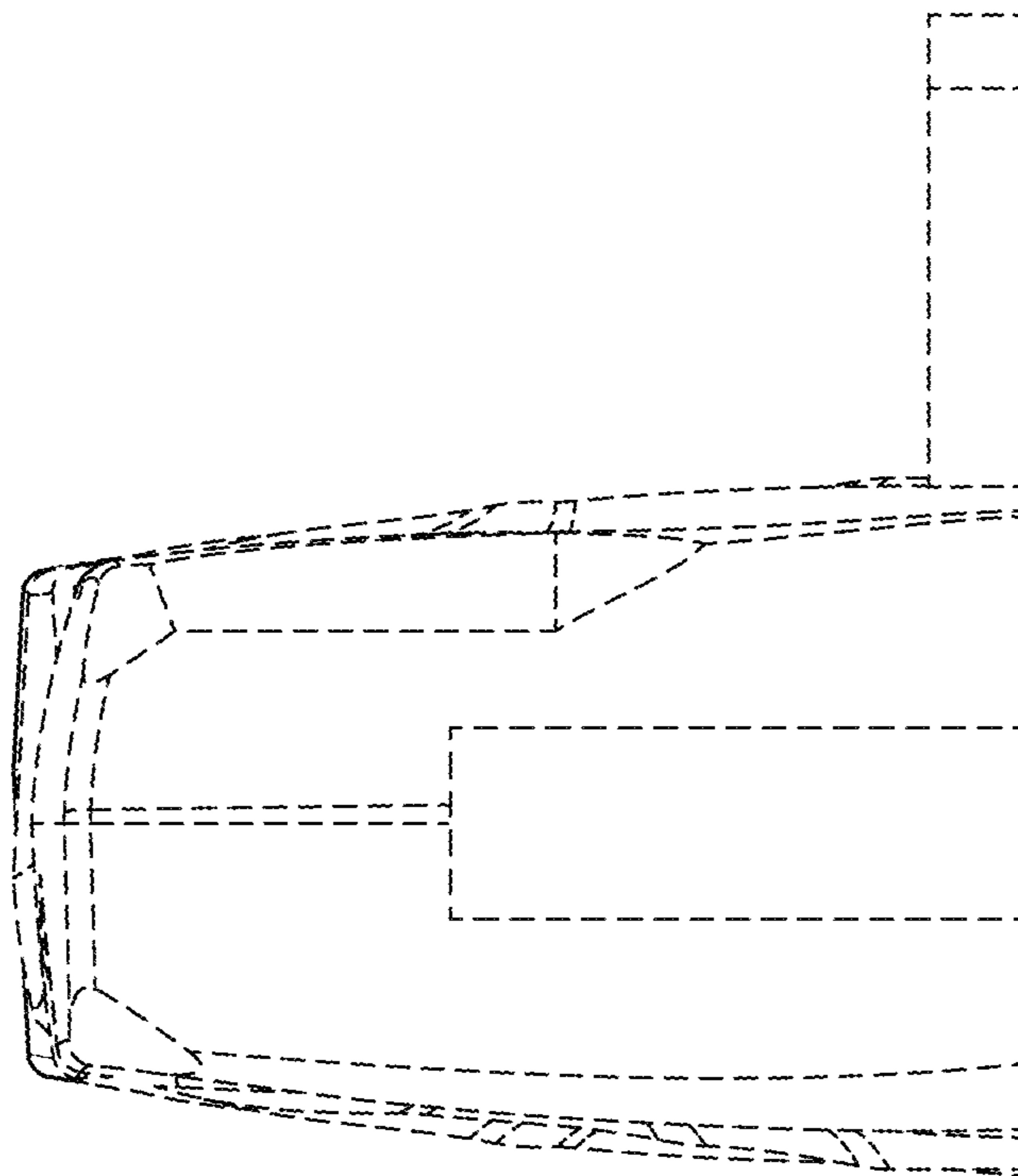


FIG. 5

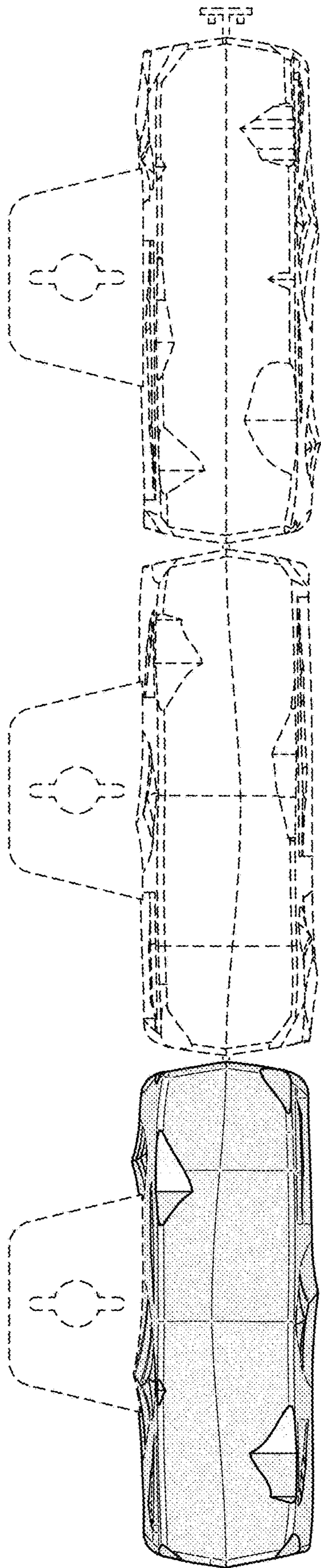


FIG. 7

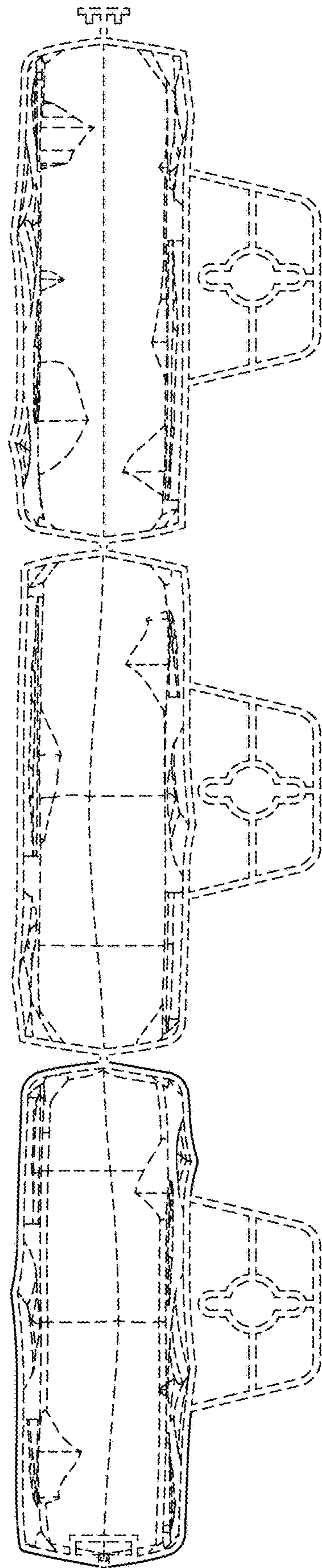


FIG. 8

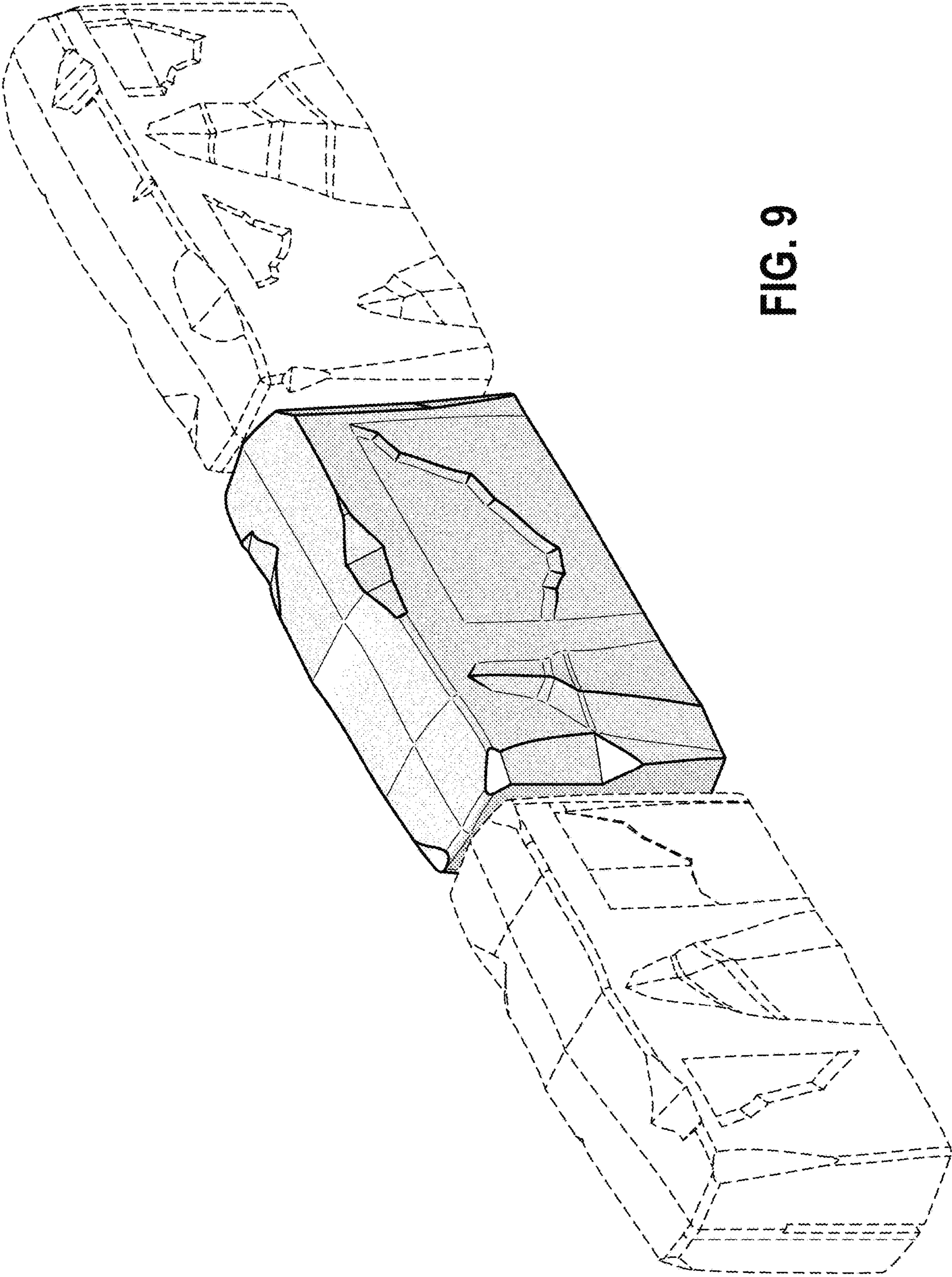


FIG. 9

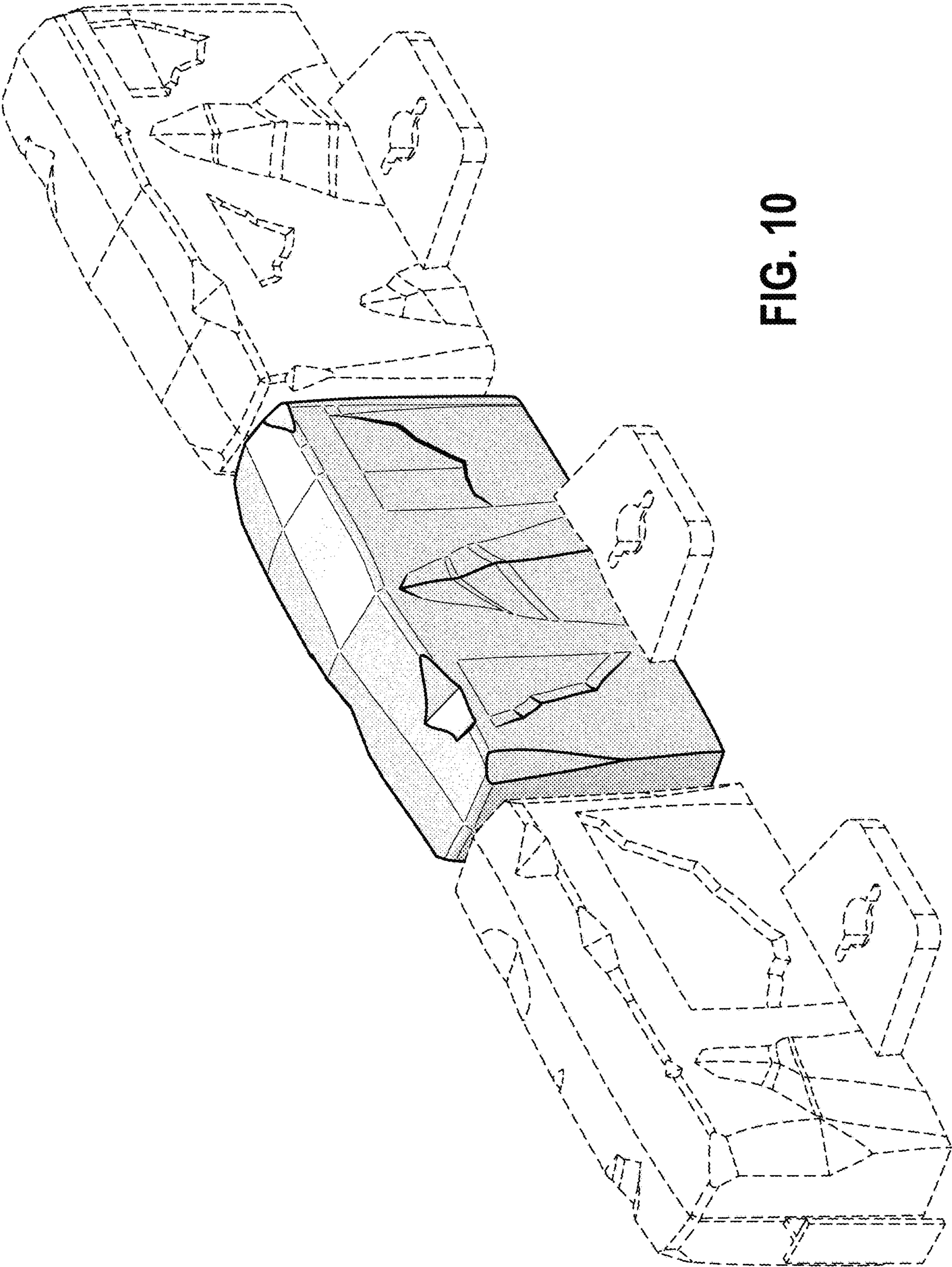


FIG. 10

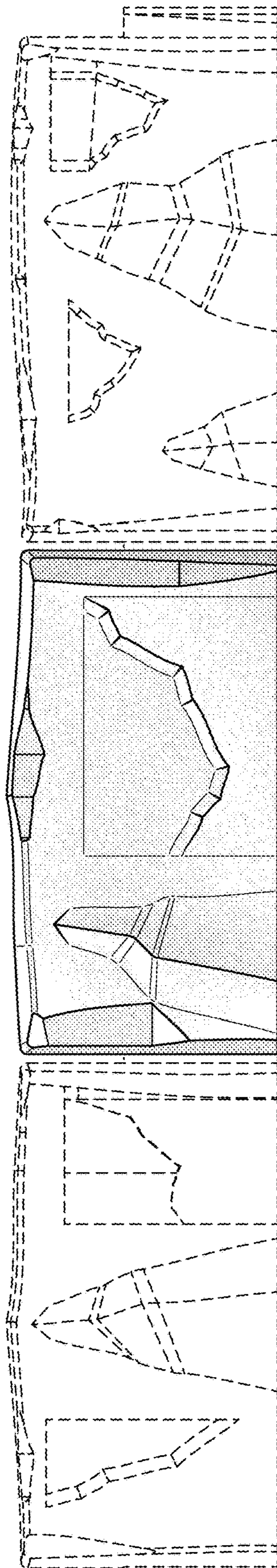


FIG. 11

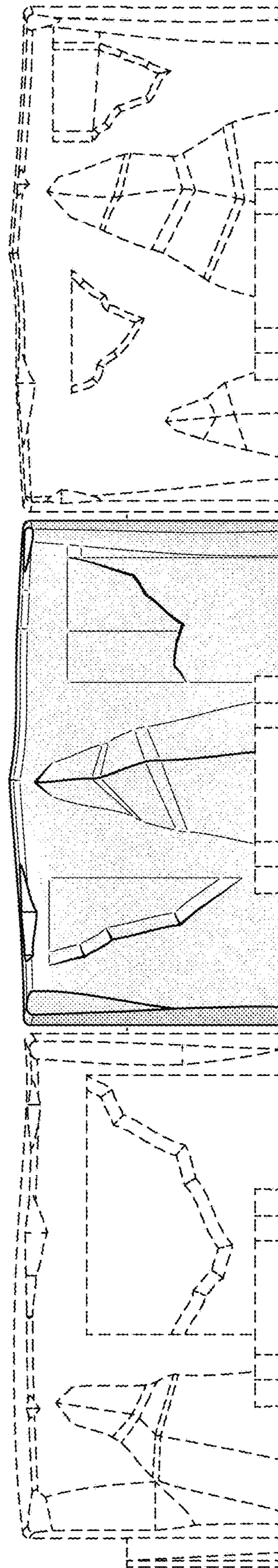


FIG. 12

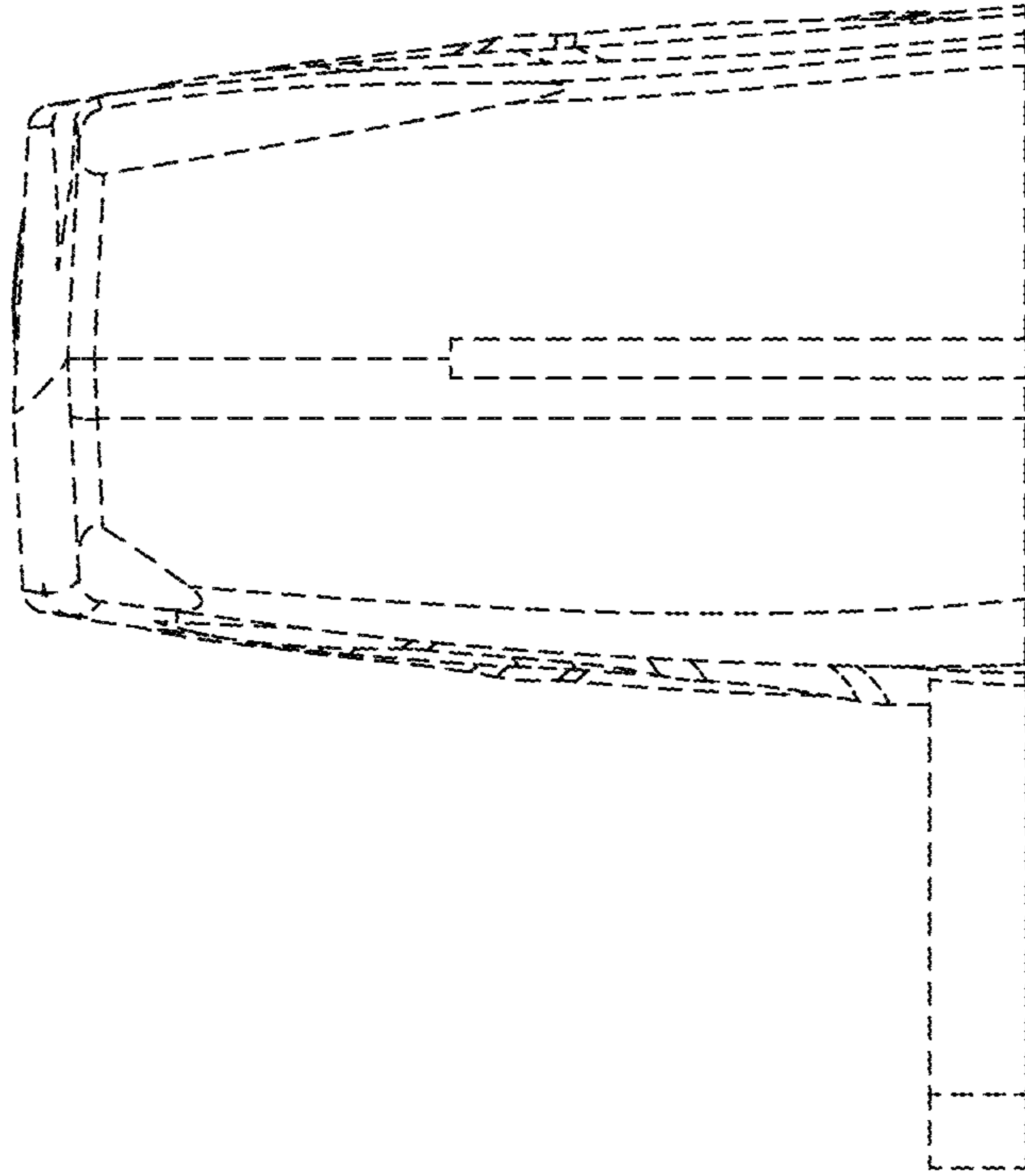


FIG. 14

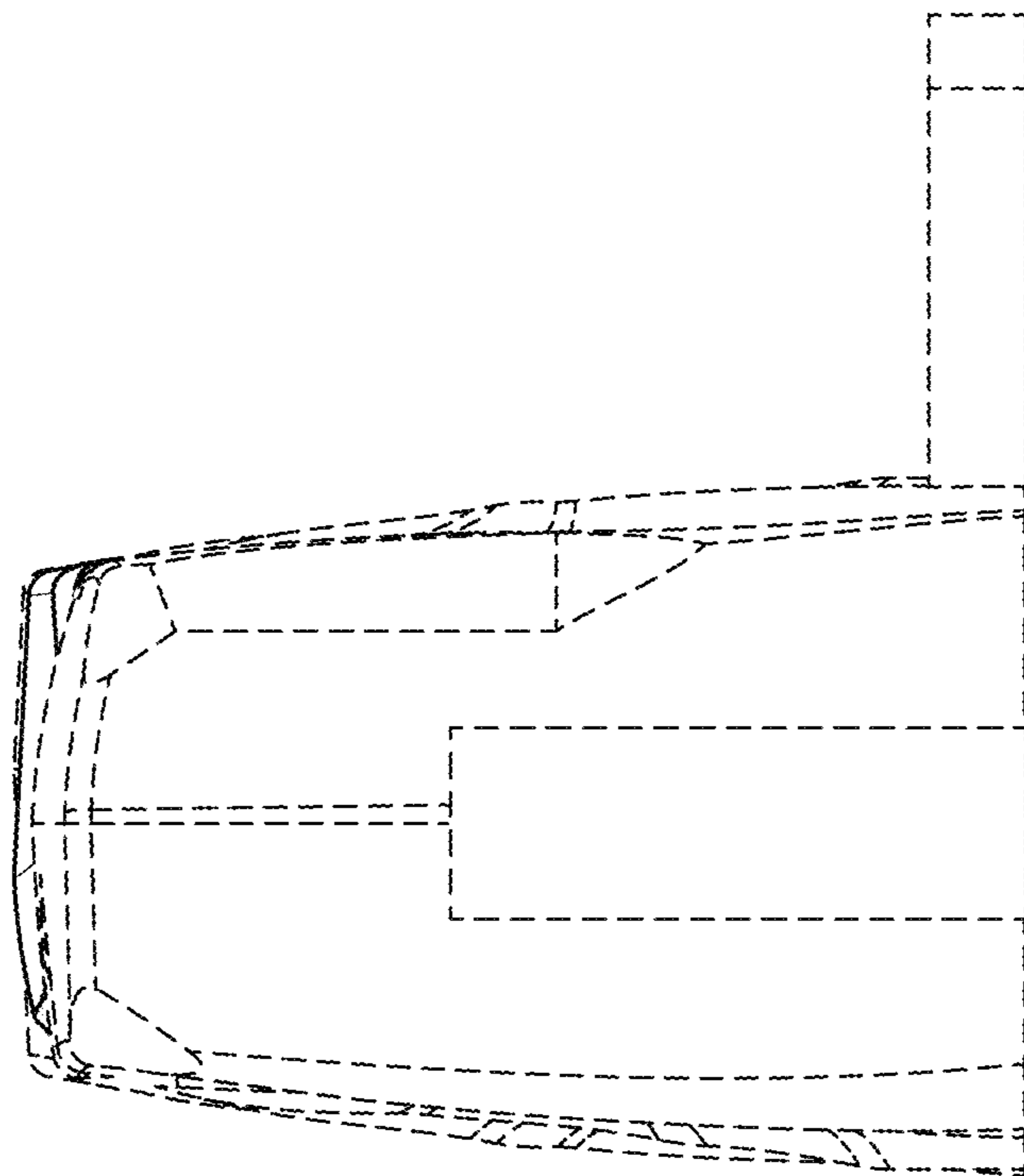


FIG. 13

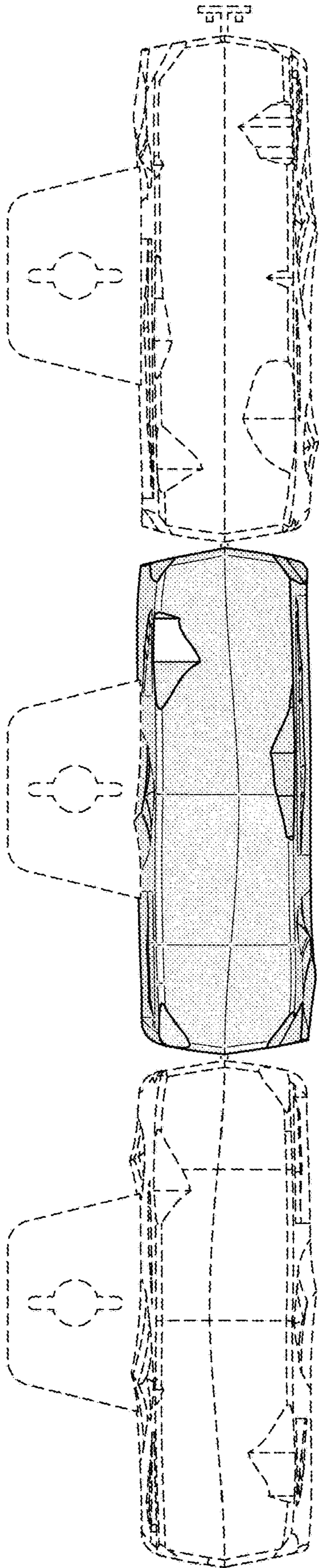


FIG. 15

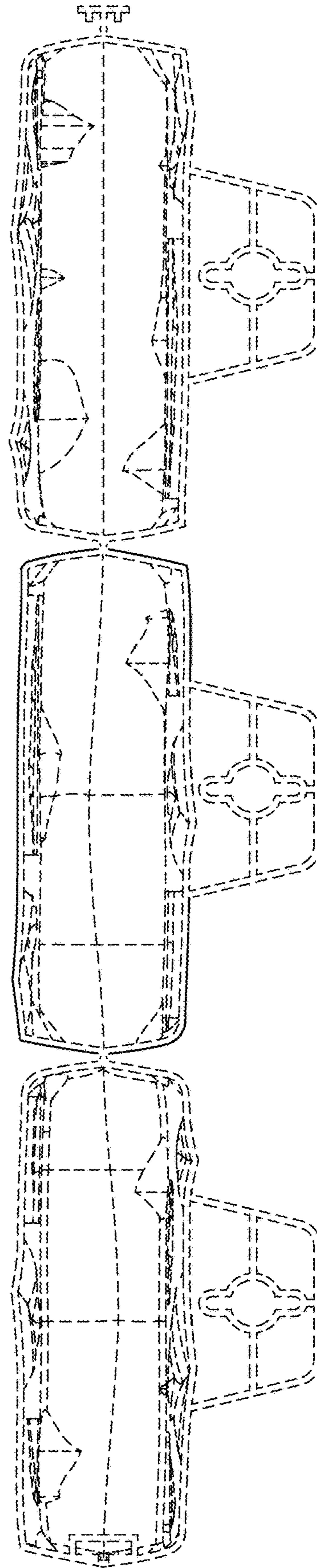


FIG. 16

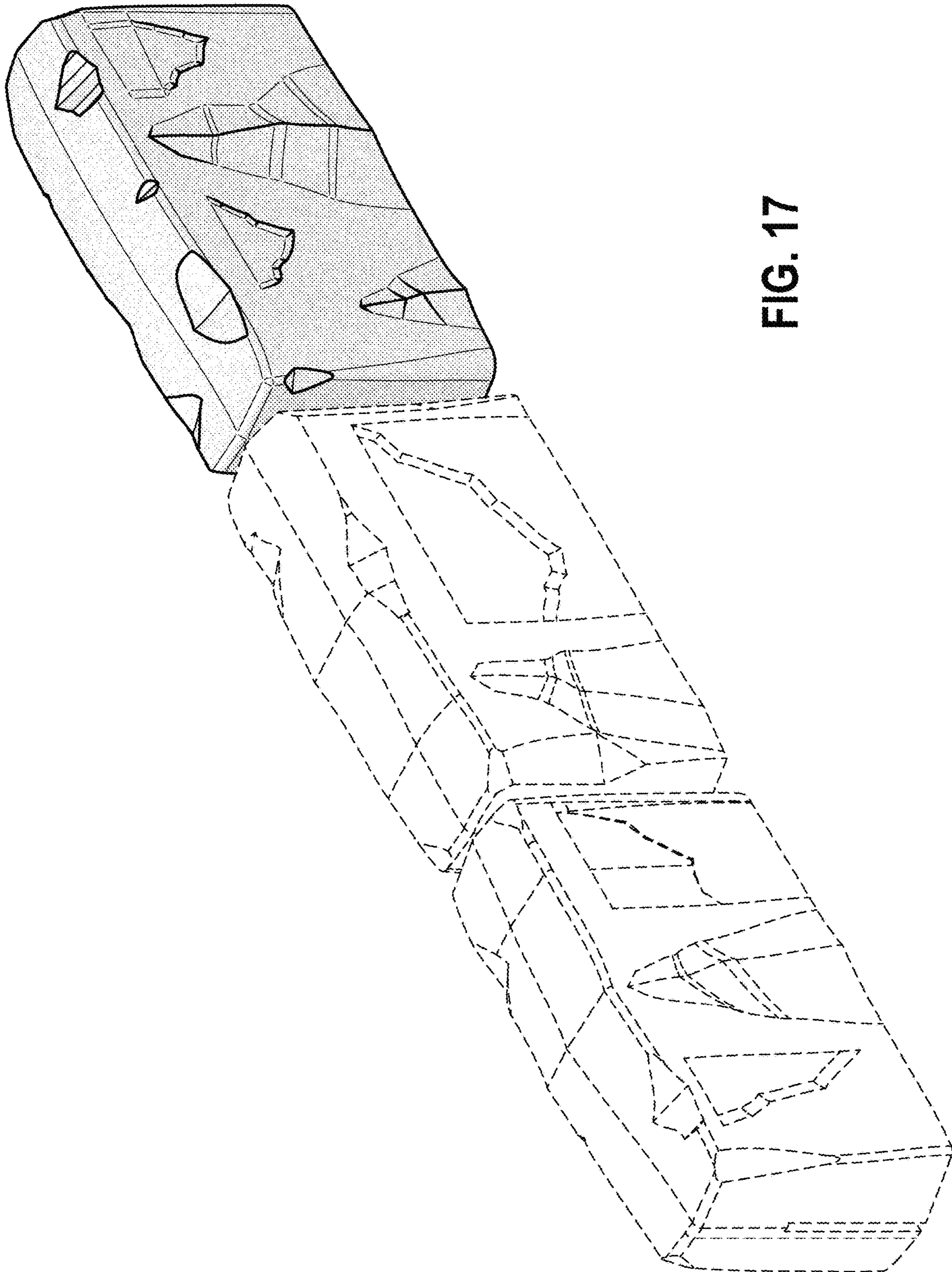


FIG. 17

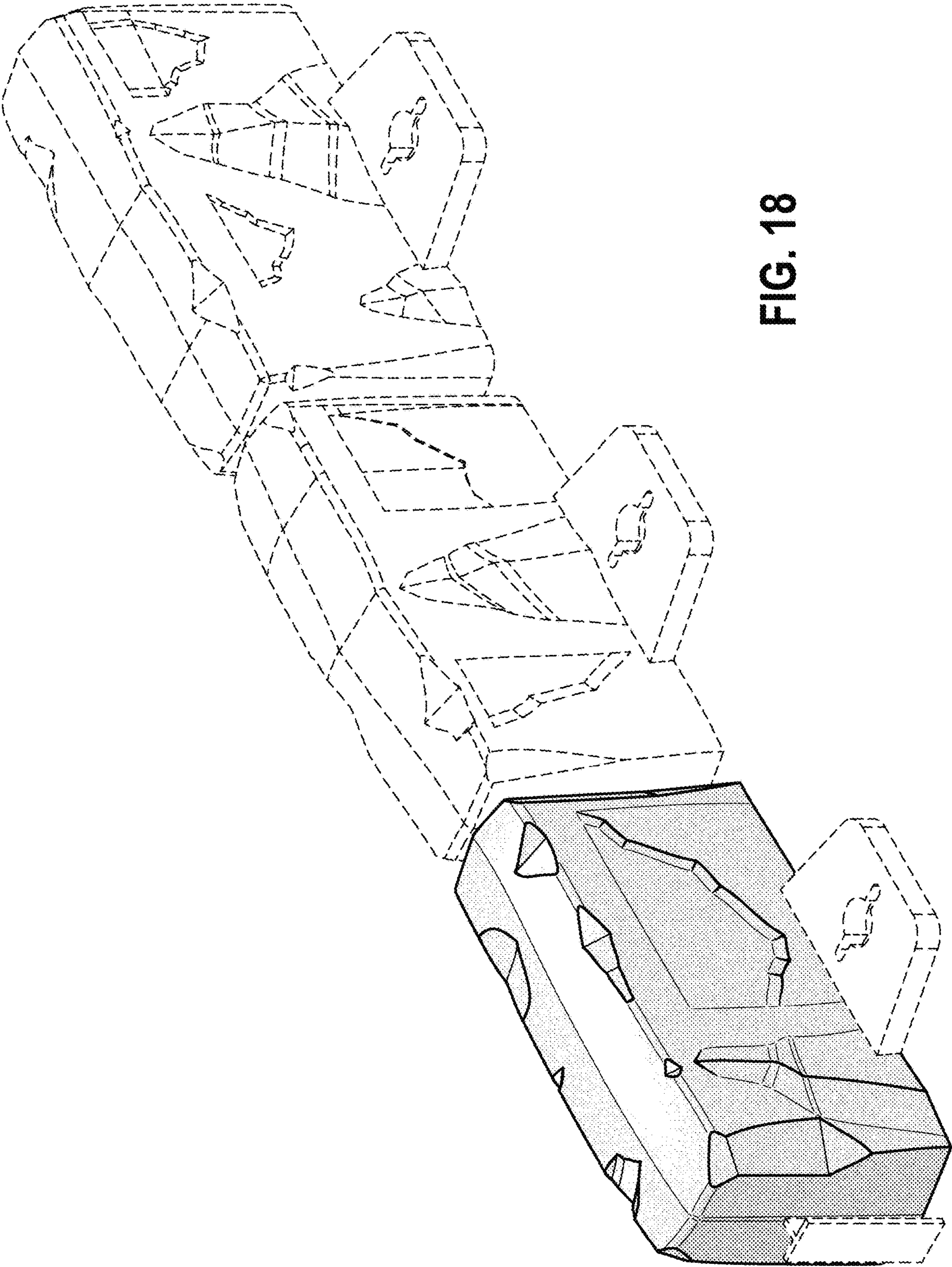


FIG. 18

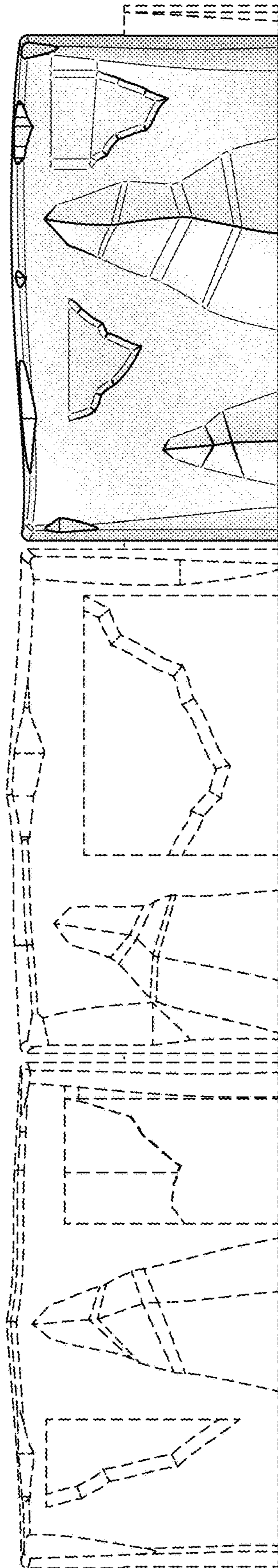


FIG. 19

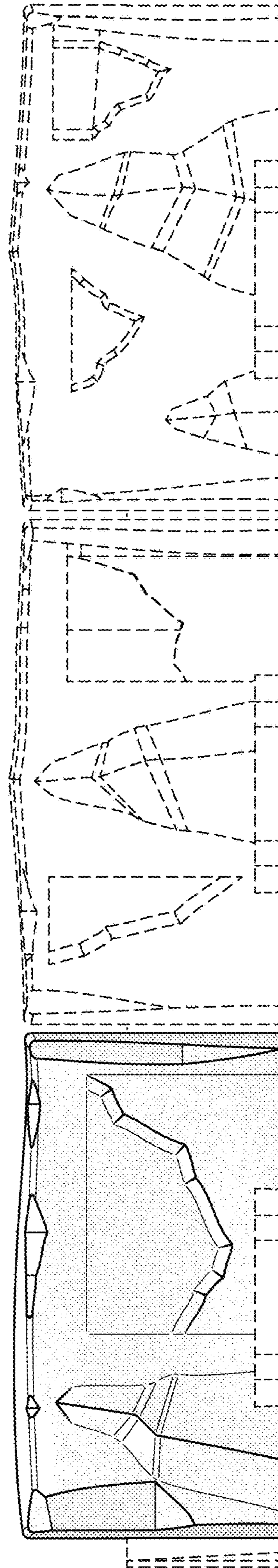


FIG. 20

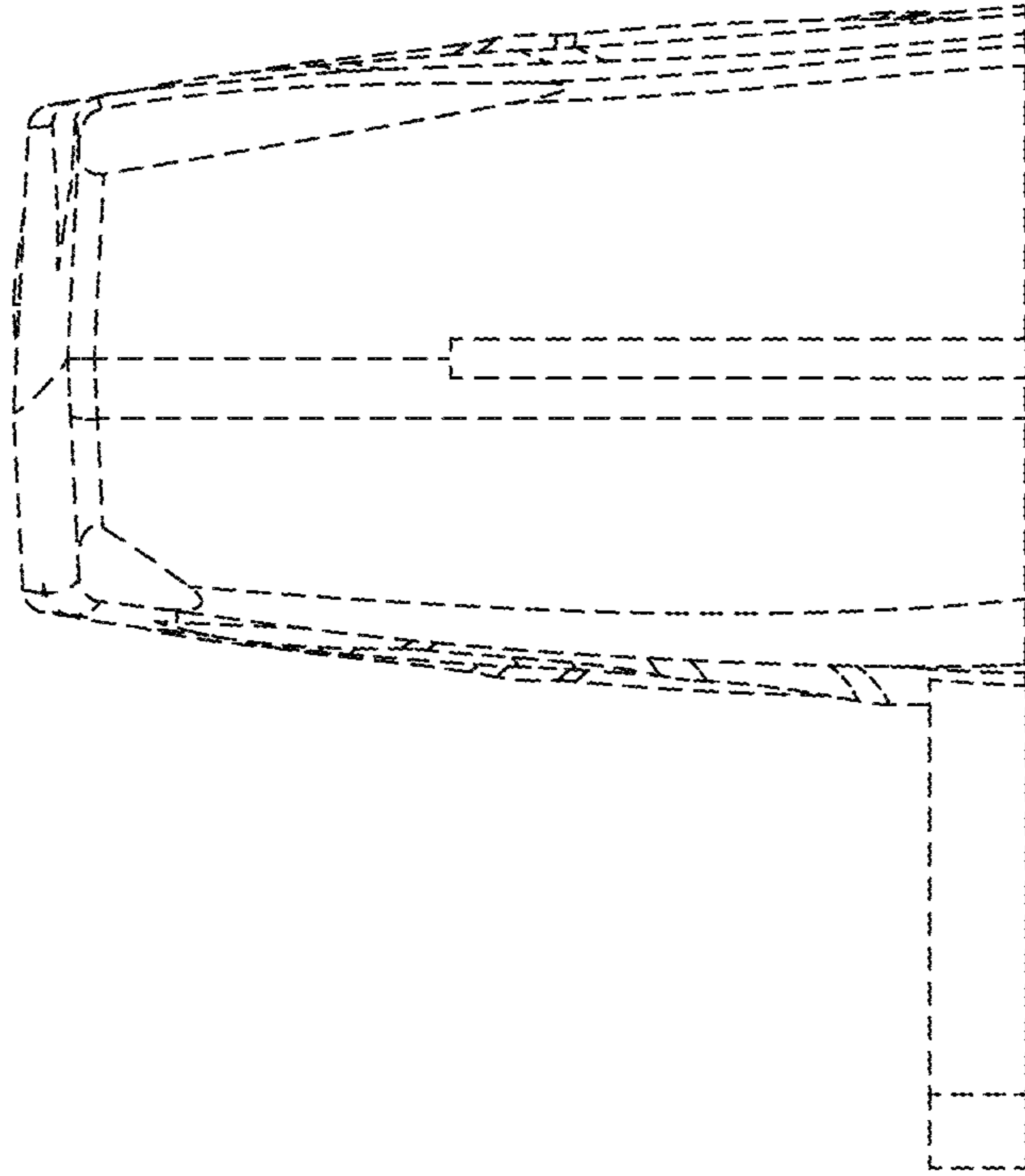


FIG. 22

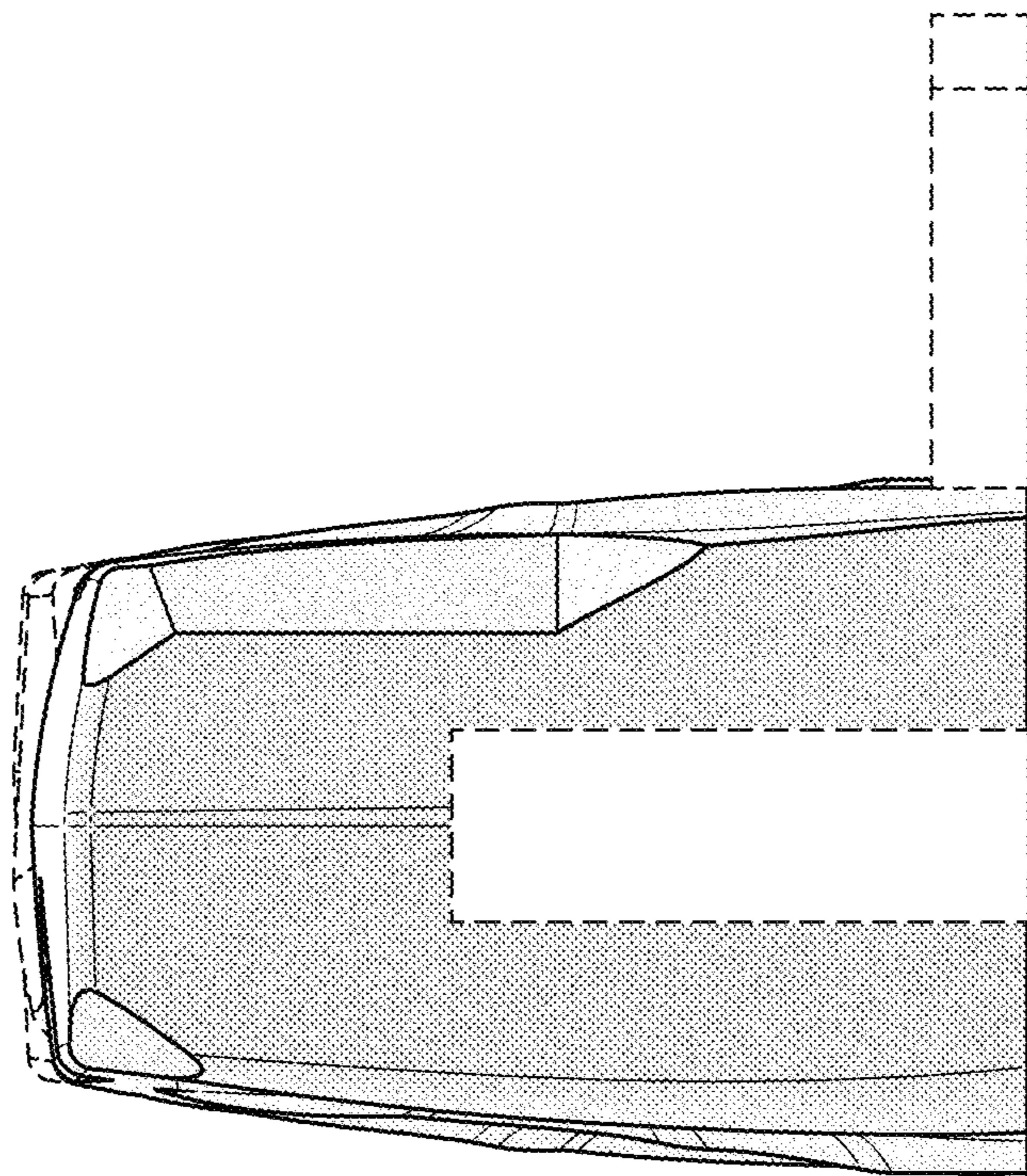


FIG. 21

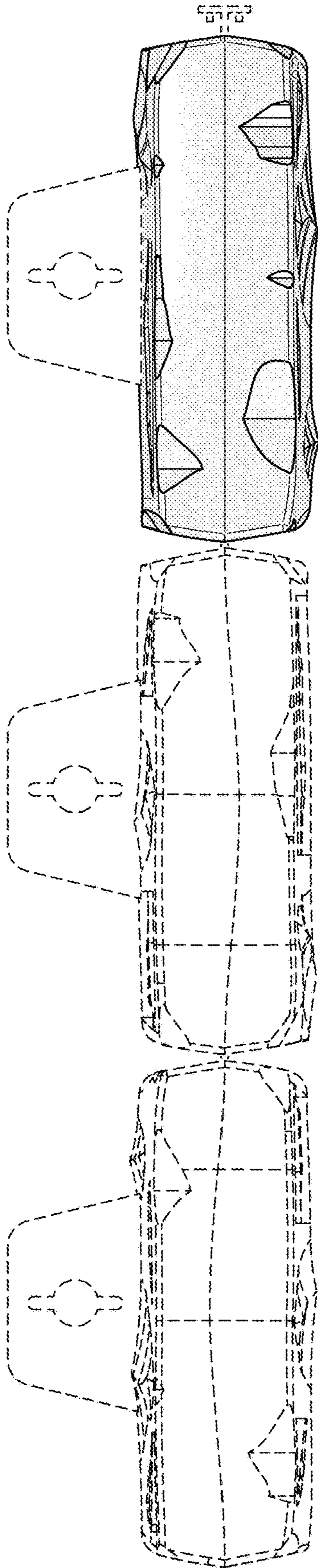


FIG. 23

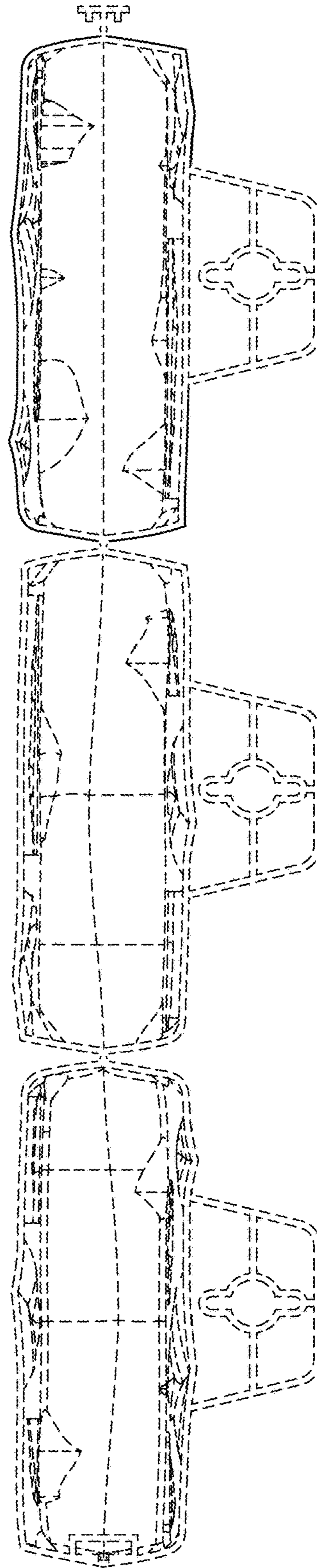


FIG. 24