



US00D958410S

(12) **United States Design Patent**
Barnard

(10) **Patent No.:** **US D958,410 S**
(45) **Date of Patent:** **** Jul. 19, 2022**

- (54) **BUILDING SCAFFOLDING ASSEMBLY**
- (71) Applicant: **Urban Intelligence, Inc.**, New York, NY (US)
- (72) Inventor: **Grahm Barnard**, Brooklyn, NY (US)
- (73) Assignee: **Urban Intelligence, Inc.**, New York, NY (US)
- (**) Term: **15 Years**
- (21) Appl. No.: **29/760,295**
- (22) Filed: **Nov. 30, 2020**
- (51) **LOC (13) Cl.** **25-04**
- (52) **U.S. Cl.**
USPC **D25/66**
- (58) **Field of Classification Search**
USPC D25/62, 66, 68; 182/153, 128, 187, 188,
182/178, 179, 152, 186.3, 182.4
CPC E04G 1/15; E04G 1/04; E04G 1/06; E04G
3/28; E04G 5/046; E04G 1/34; E04G
5/00; E04G 1/20; B63C 2005/025; B63C
5/02
See application file for complete search history.

- 6,119,810 A * 9/2000 Harder E04G 1/34
182/152
- D650,915 S * 12/2011 Gross D25/68
- D663,438 S * 7/2012 Cortes D25/66
- D786,456 S * 5/2017 Bokros D25/68
- 9,869,101 B1 * 1/2018 Kitching E04G 3/20
- 11,255,095 B2 * 2/2022 Rogers E04G 7/307
- 2019/0390470 A1 * 12/2019 Rogers E04G 5/08

* cited by examiner

Primary Examiner — Gino Colan

(74) *Attorney, Agent, or Firm* — Dority & Manning, P.A.

(57) **CLAIM**

The ornamental design for a building scaffolding assembly, as shown and described.

DESCRIPTION

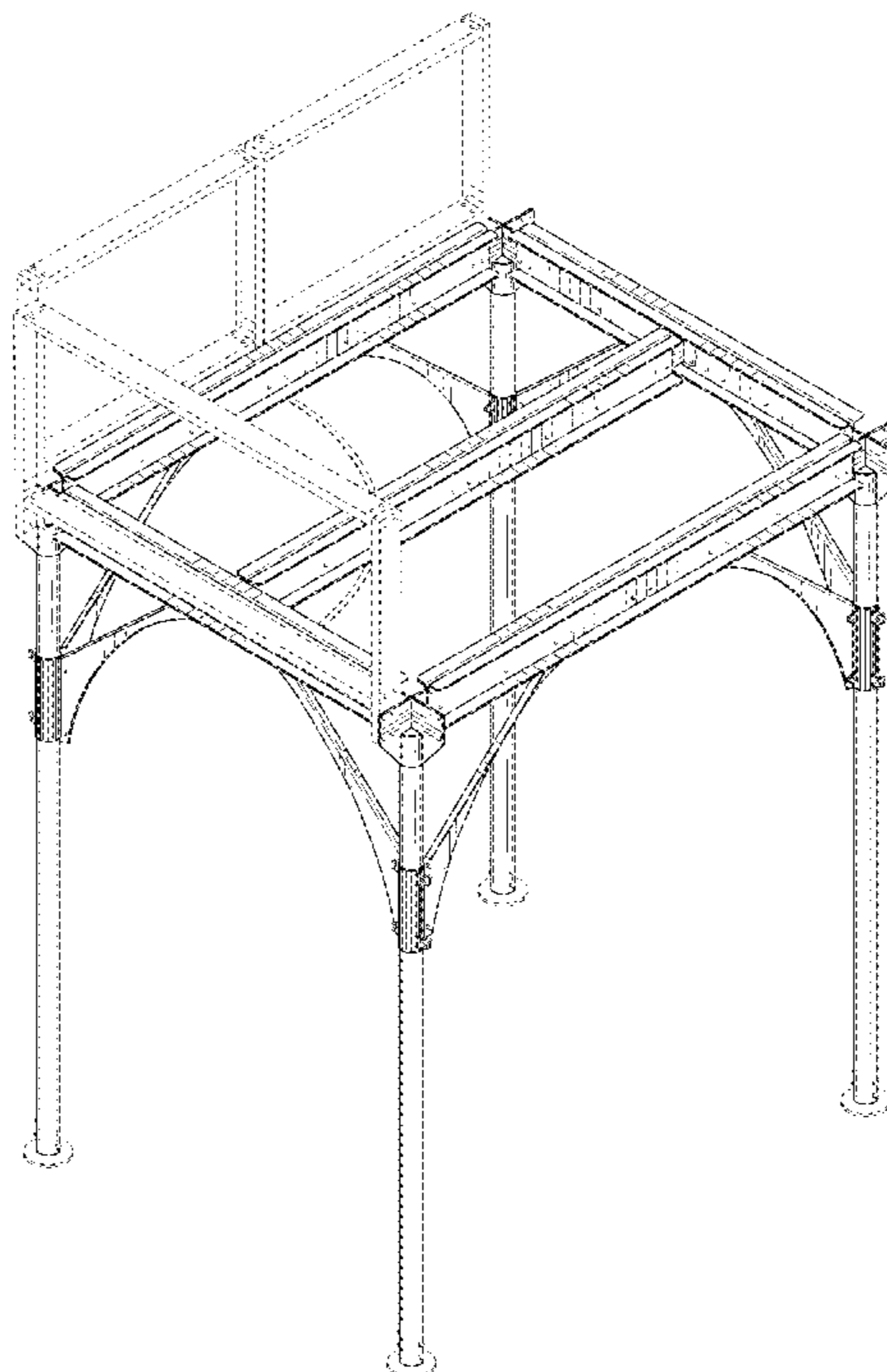
FIG. 1 is a perspective view of the building scaffolding assembly;
 FIG. 2 is a front view of the building scaffolding assembly of FIG. 1;
 FIG. 3 is a rear view of the building scaffolding assembly of FIG. 1;
 FIG. 4 is a right side view of the building scaffolding assembly of FIG. 1;
 FIG. 5 is a left side view of the building scaffolding assembly of FIG. 1;
 FIG. 6 is a top view of the building scaffolding assembly of FIG. 1; and,
 FIG. 7 is a bottom view of the building scaffolding assembly of FIG. 1.
 The broken lines illustrate portions of the design that form no part of the claim.

1 Claim, 7 Drawing Sheets

(56) **References Cited**

U.S. PATENT DOCUMENTS

- 4,031,981 A * 6/1977 Spencer E04G 1/34
182/182.4
- 4,911,390 A * 3/1990 Flick A47B 3/12
182/186.3
- D374,089 S * 9/1996 Meadows D25/68
- D387,180 S * 12/1997 Meadows D25/66



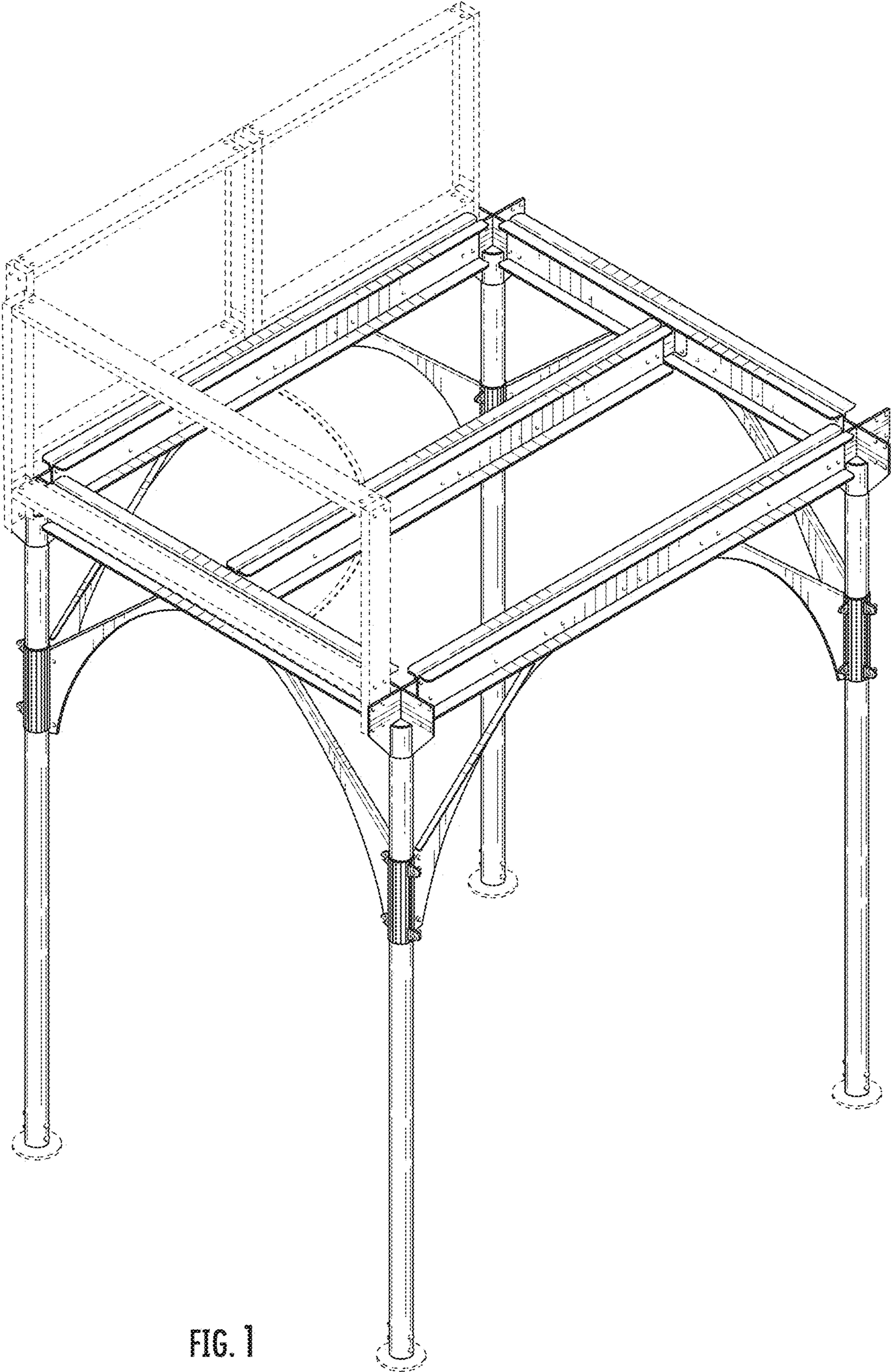


FIG. 1

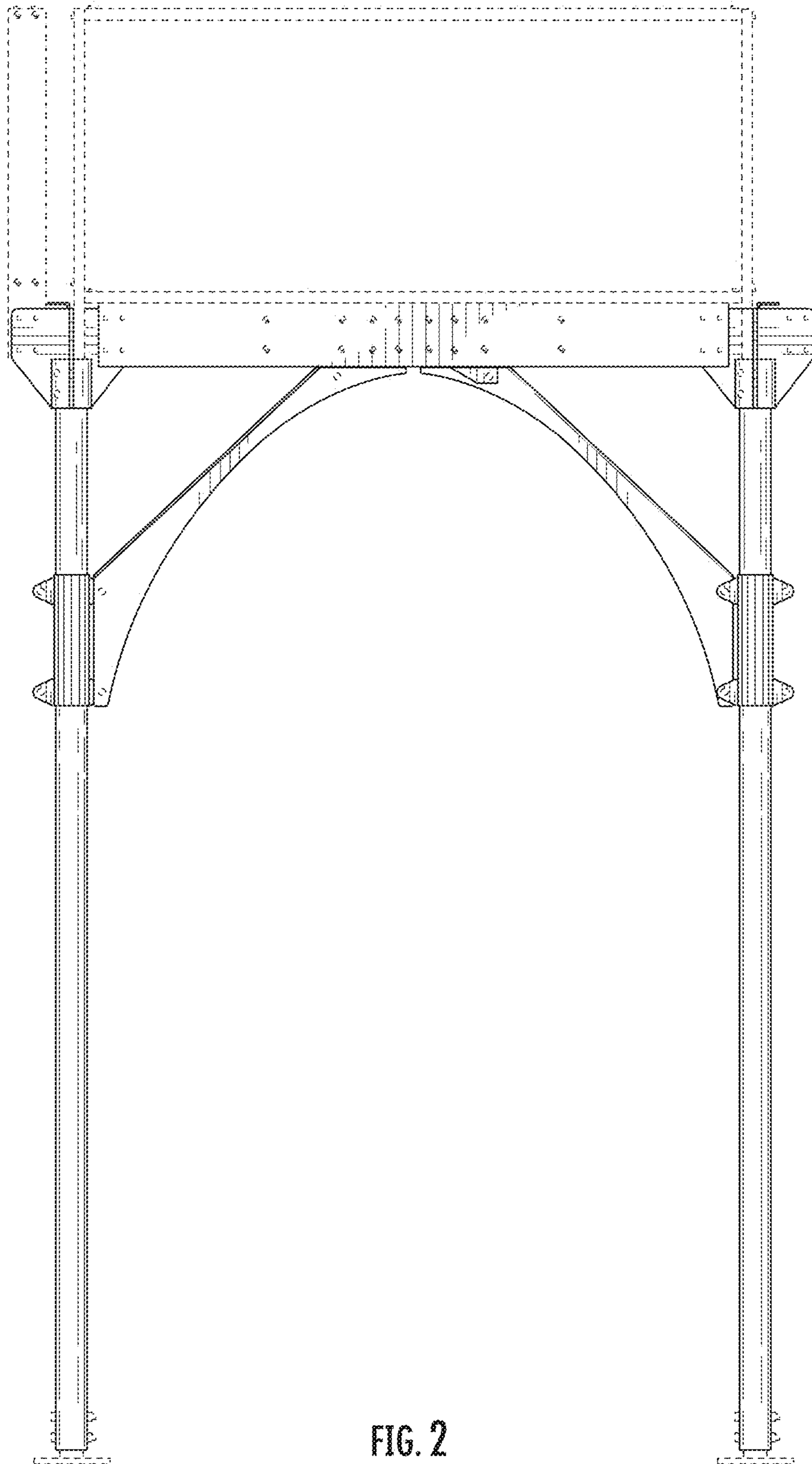


FIG. 2

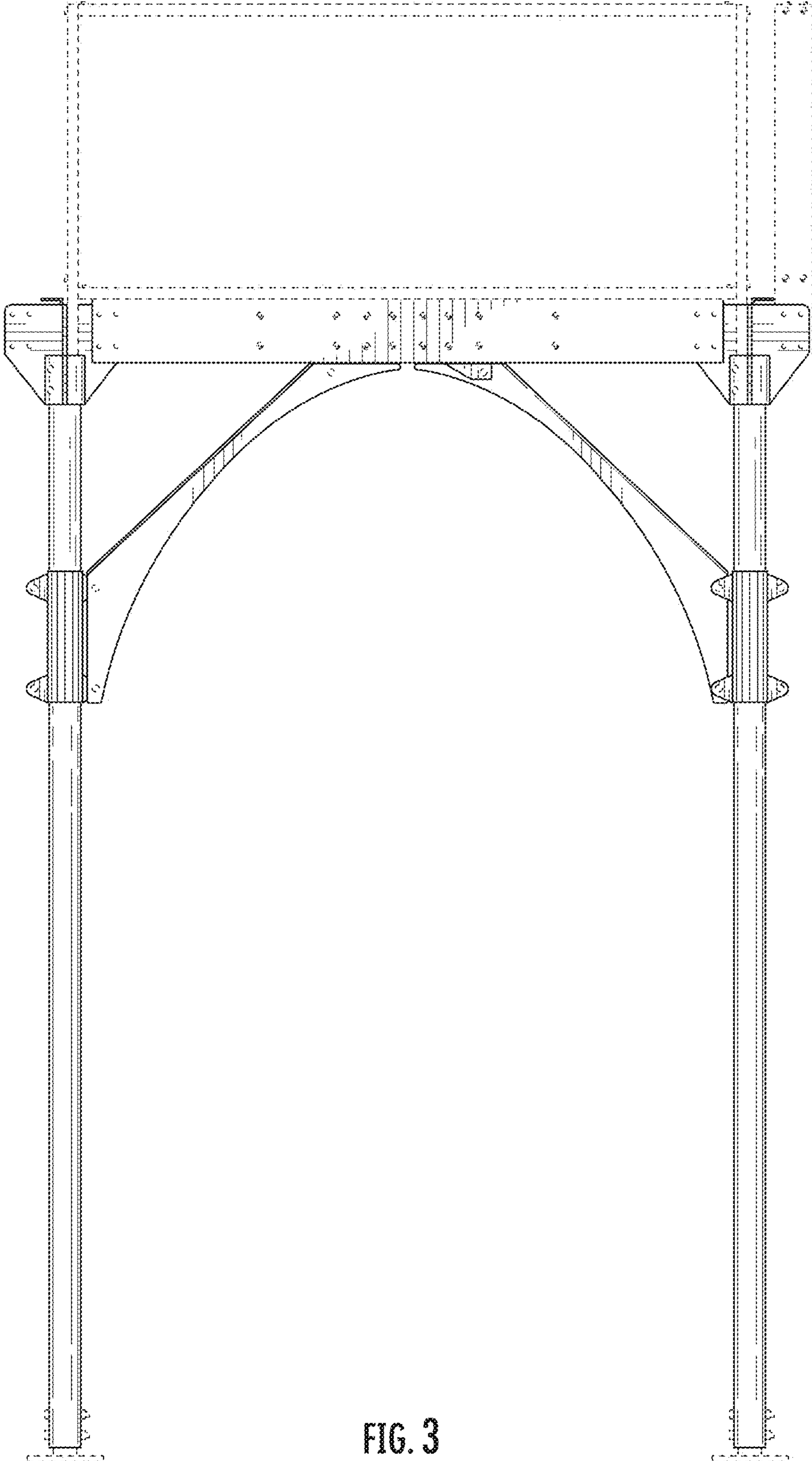


FIG. 3

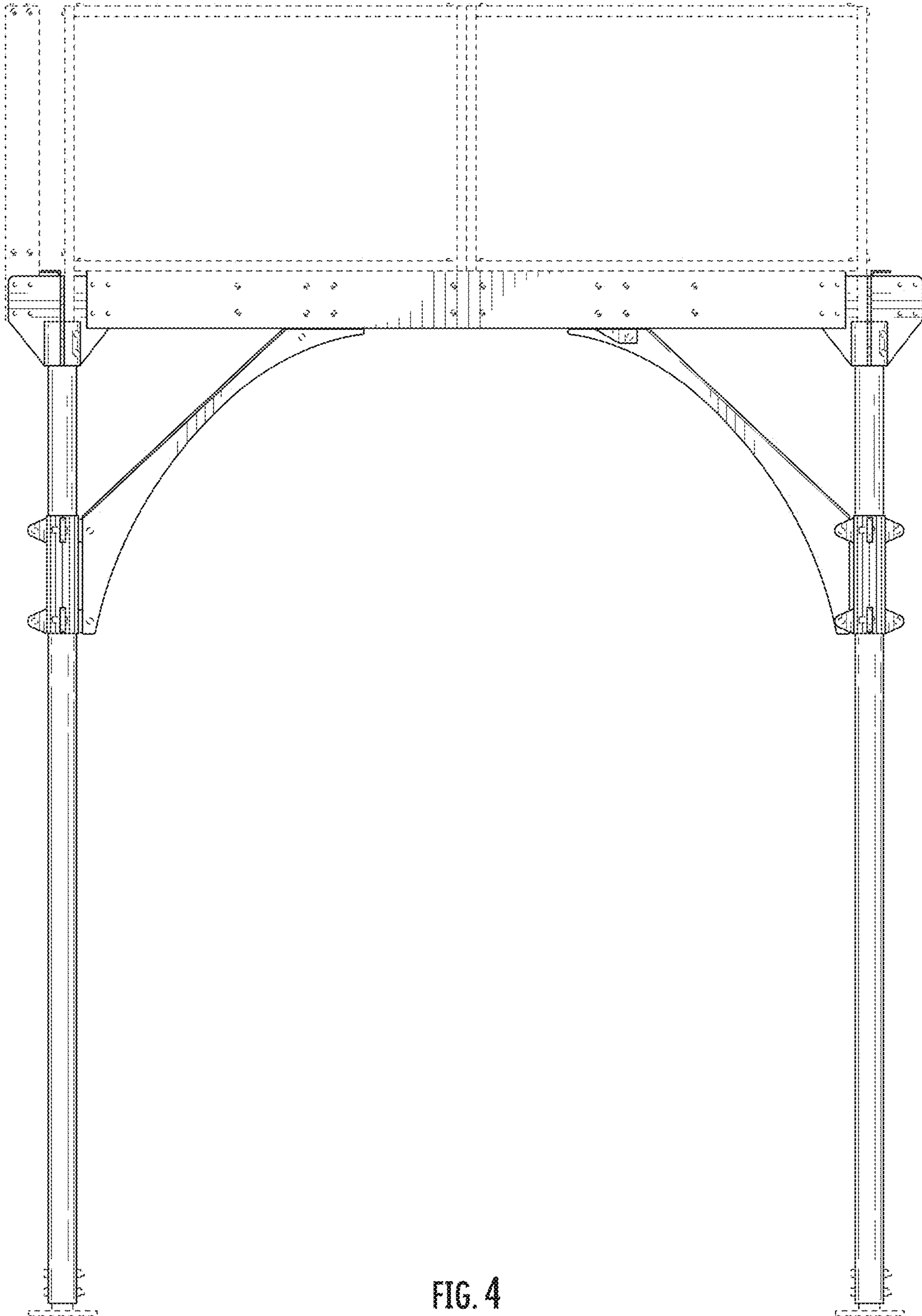


FIG. 4

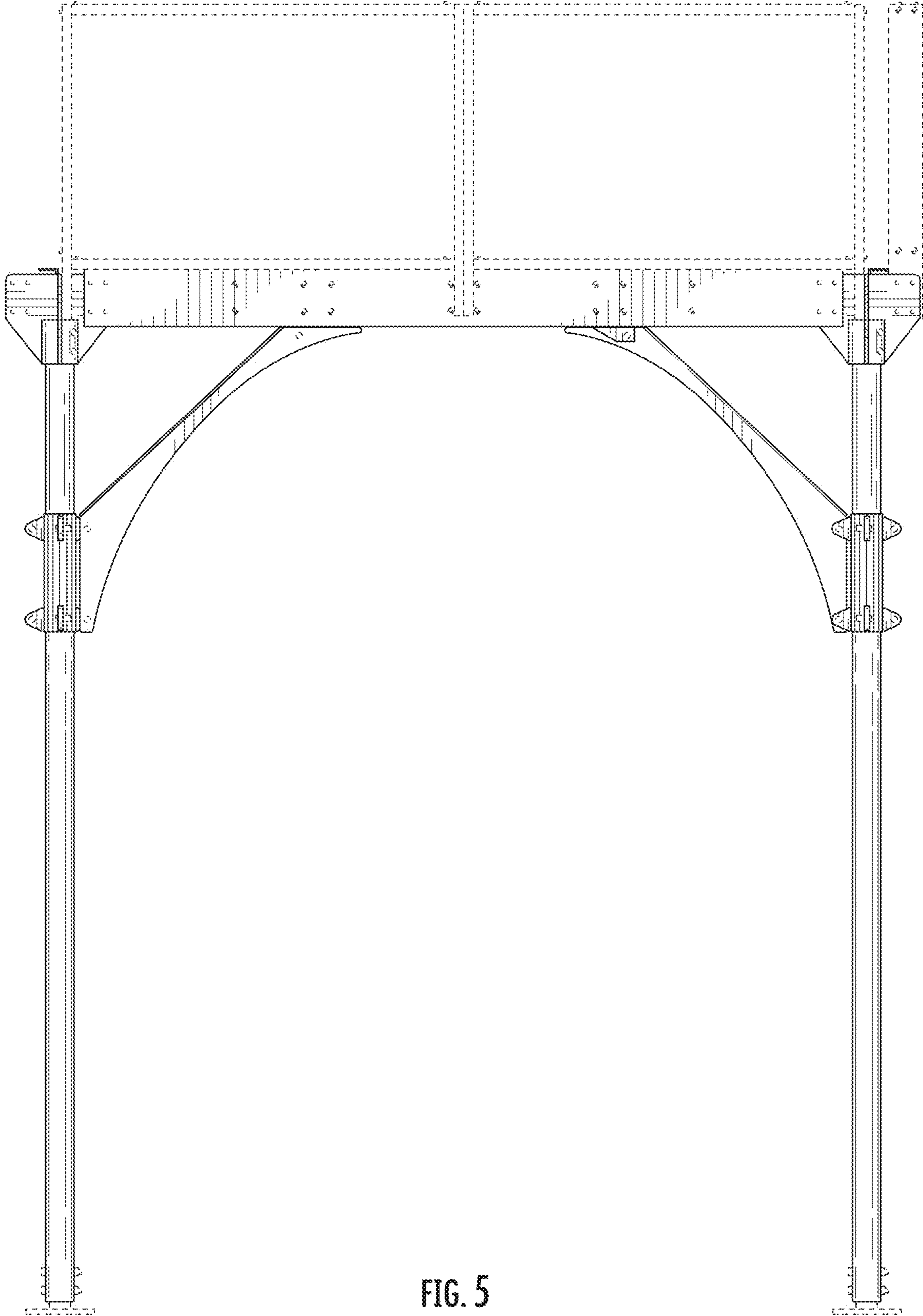


FIG. 5

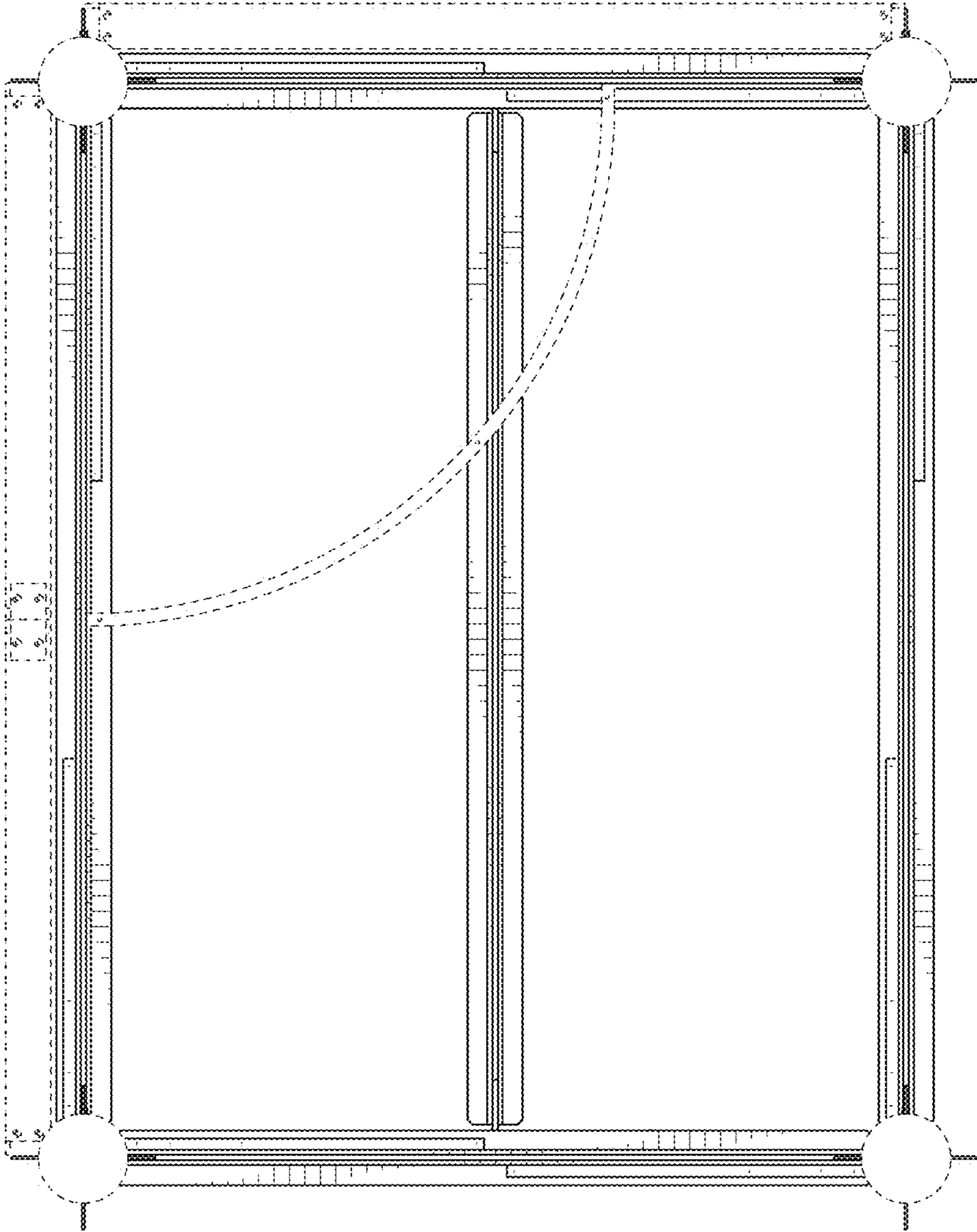


FIG. 7