



US00D958409S

(12) **United States Design Patent** (10) **Patent No.:** **US D958,409 S**
Nolen et al. (45) **Date of Patent:** **** Jul. 19, 2022**

(54) **FLARED FOLDABLE UTILITY ENCLOSURE**

(71) Applicant: **AFL Telecommunications LLC**,
Duncan, SC (US)

(72) Inventors: **Dustin Kyle Nolen**, Mount Olive, AL
(US); **Raymond George Thompson**,
Hoover, AL (US); **Erick Crosby**,
Homewood, AL (US); **Andru Bramlett**,
Homewood, AL (US)

(73) Assignee: **AFL Telecommunications LLC**,
Duncan, SC (US)

(**) Term: **15 Years**

(21) Appl. No.: **29/811,585**

(22) Filed: **Oct. 15, 2021**

(51) **LOC (13) Cl.** **25-02**

(52) **U.S. Cl.**
USPC **D25/36; D3/305; D13/184**

(58) **Field of Classification Search**
USPC D3/213–218, 221, 224–228, 254, 273,
D3/293–294, 300, 303, 318, 321, 327,
D3/304–305, 314; D13/184; D23/249,
D23/203; D25/36; D14/140–140.3
CPC B65D 6/18; B65D 11/1846; B65D 11/10;
H02B 1/26; G01F 15/14; E02D 29/00;
E03B 7/09; E03B 7/095; H02G 9/02;
H02G 9/025

See application file for complete search history.

(56) **References Cited**

U.S. PATENT DOCUMENTS

- 2,416,147 A * 2/1947 Blackwell B65D 11/10
217/3 BC
- D227,909 S * 7/1973 Griffing D25/36
- 3,858,755 A * 1/1975 Tellen H02G 9/025
220/284
- D245,102 S * 7/1977 Gross D25/36
- D320,297 S * 9/1991 Hadashi D3/314
- D381,202 S * 7/1997 Provot D3/307

- D478,672 S * 8/2003 Charlebois D25/36
- 6,749,080 B1 * 6/2004 White E03B 7/095
137/381
- D801,687 S * 11/2017 Holland D3/309
- D844,988 S * 4/2019 Reinhart D3/305
- 11,066,802 B1 * 7/2021 Nolen E02D 29/00

(Continued)

OTHER PUBLICATIONS

Rainbird Vbsprh A61473, unknown first available date, amazon.com [online], [site visited Mar. 7, 2022], Available at URL: https://www.amazon.com/Rain-Bird-A61473-Rainbird-Vbsprh/dp/B00E0QD9YO/ref=psdc_3238155011_t4_B003MZ1EX2 (Year: 2022).*

Primary Examiner — Jeffrey D Asch
Assistant Examiner — Caitlin A Laverty

(74) *Attorney, Agent, or Firm* — Dority & Manning, P.A.

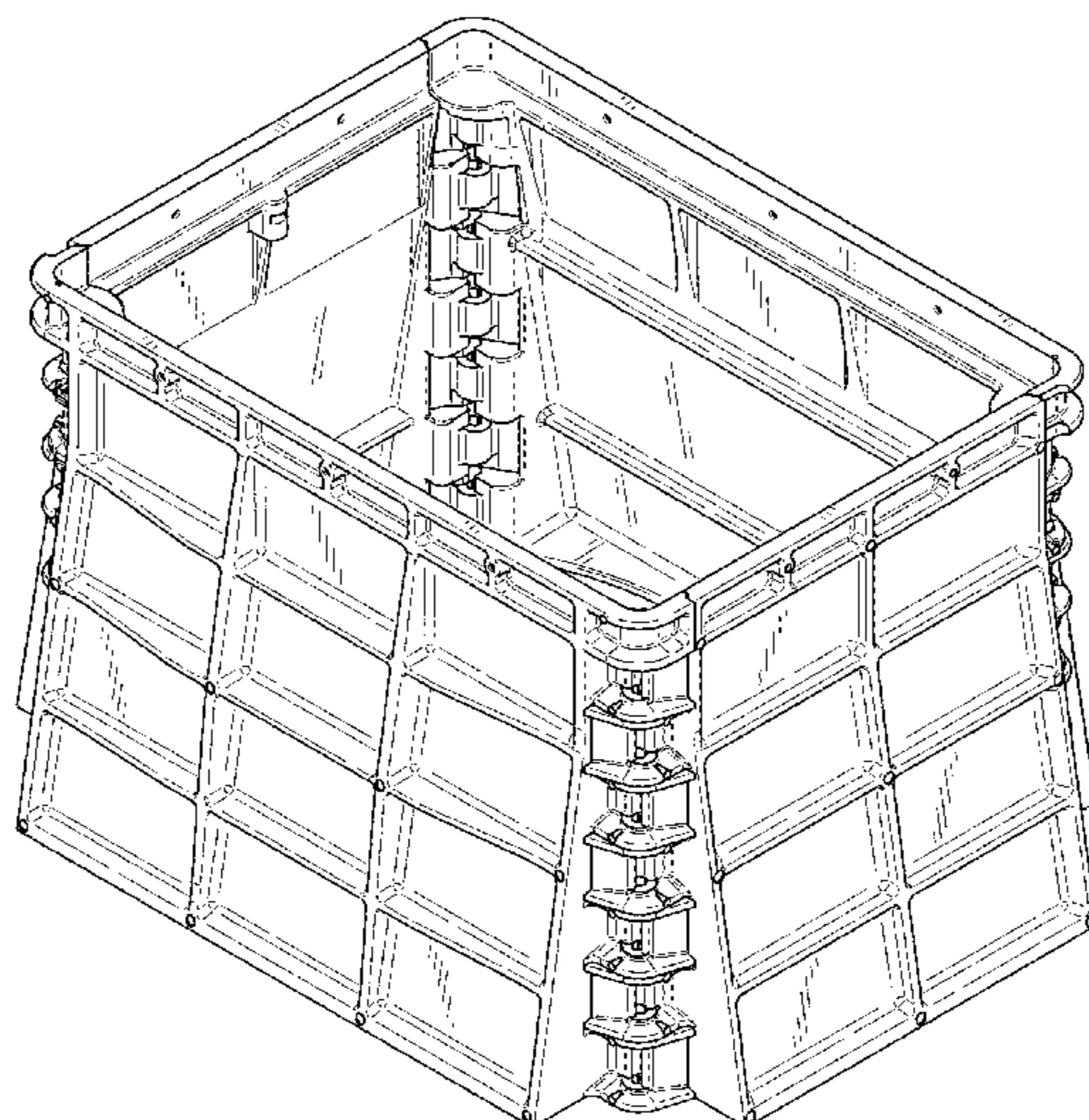
(57) **CLAIM**

The ornamental design for a flared foldable utility enclosure, as shown and described.

DESCRIPTION

FIG. 1 is a top, front, right perspective view of a flared foldable utility enclosure showing our new design; FIG. 2 is a front elevational view thereof, which is identical to a rear elevational view; FIG. 3 is a right side elevational view thereof, which is identical to a left side elevational view; FIG. 4 is a top plan view thereof; FIG. 5 is a bottom plan view thereof; FIG. 6 is a perspective view of the flared foldable utility enclosure in a folded state; FIG. 7 is a front elevational view thereof, which is identical to a rear elevational view; FIG. 8 is a right end elevational view thereof, which is identical to a left end elevational view; FIG. 9 is a top plan view thereof; and, FIG. 10 is a bottom plan view thereof.

1 Claim, 9 Drawing Sheets



(56)

References Cited

U.S. PATENT DOCUMENTS

D941,582 S * 1/2022 Nolen D3/305
2009/0173397 A1 * 7/2009 Mallela F16L 5/00
137/364
2009/0277910 A1 * 11/2009 Buttz G01F 15/185
220/484
2011/0197975 A1 * 8/2011 Stiatti E03B 7/095
137/371
2014/0117018 A1 * 5/2014 Burke H02G 3/185
220/484
2021/0016921 A1 * 1/2021 Nolen B65D 11/1846

* cited by examiner

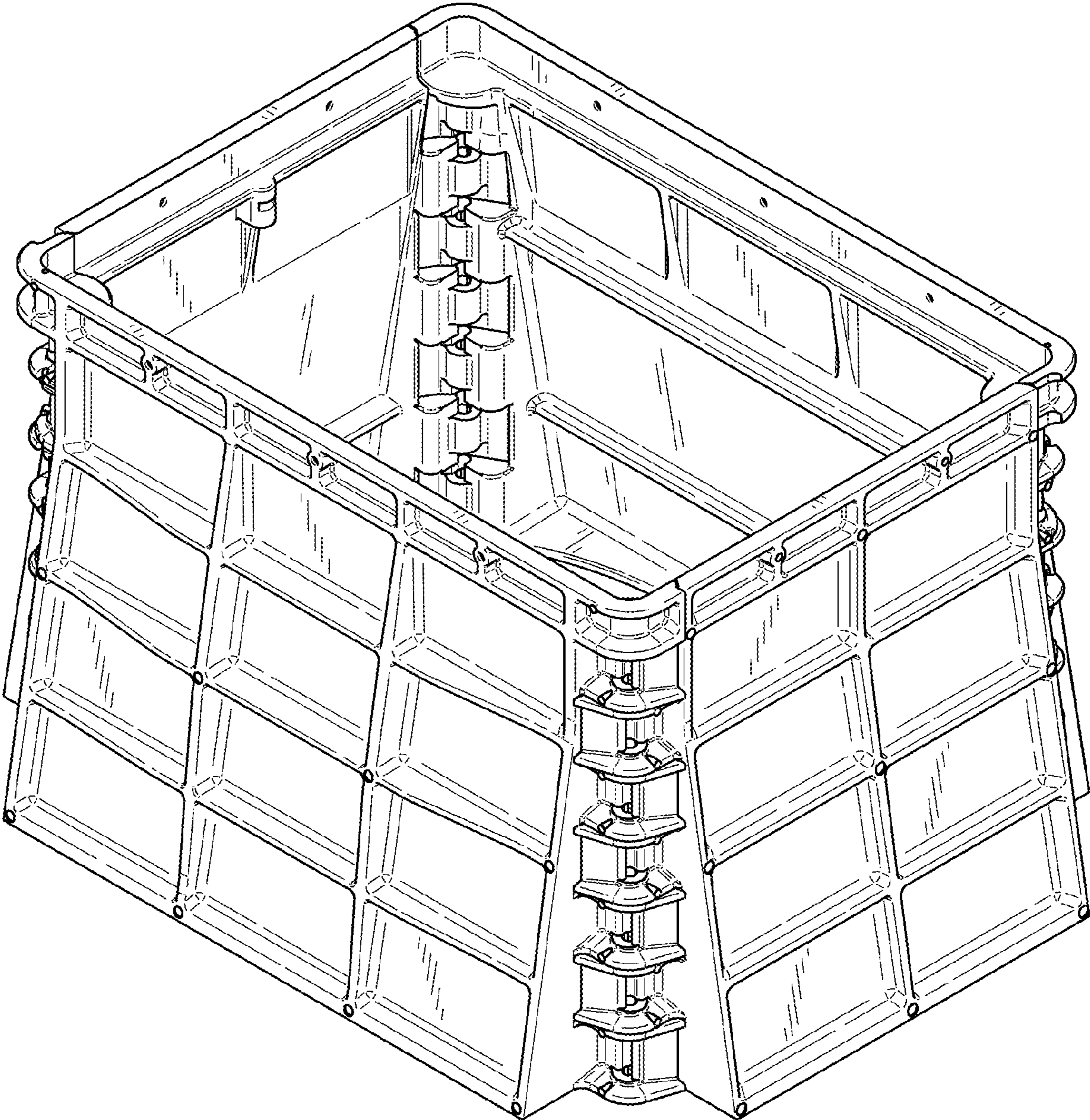


FIG. 1

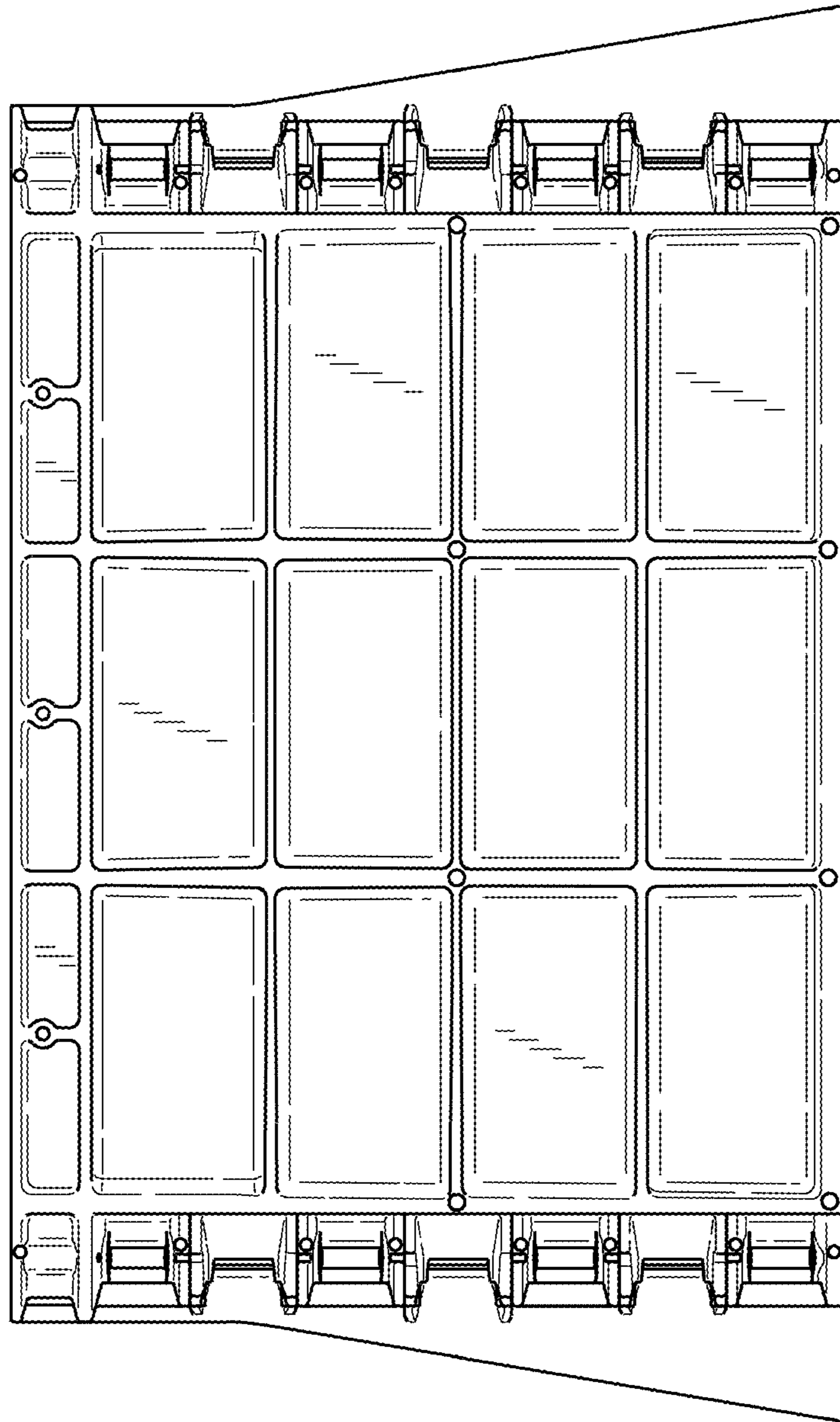


FIG. 2

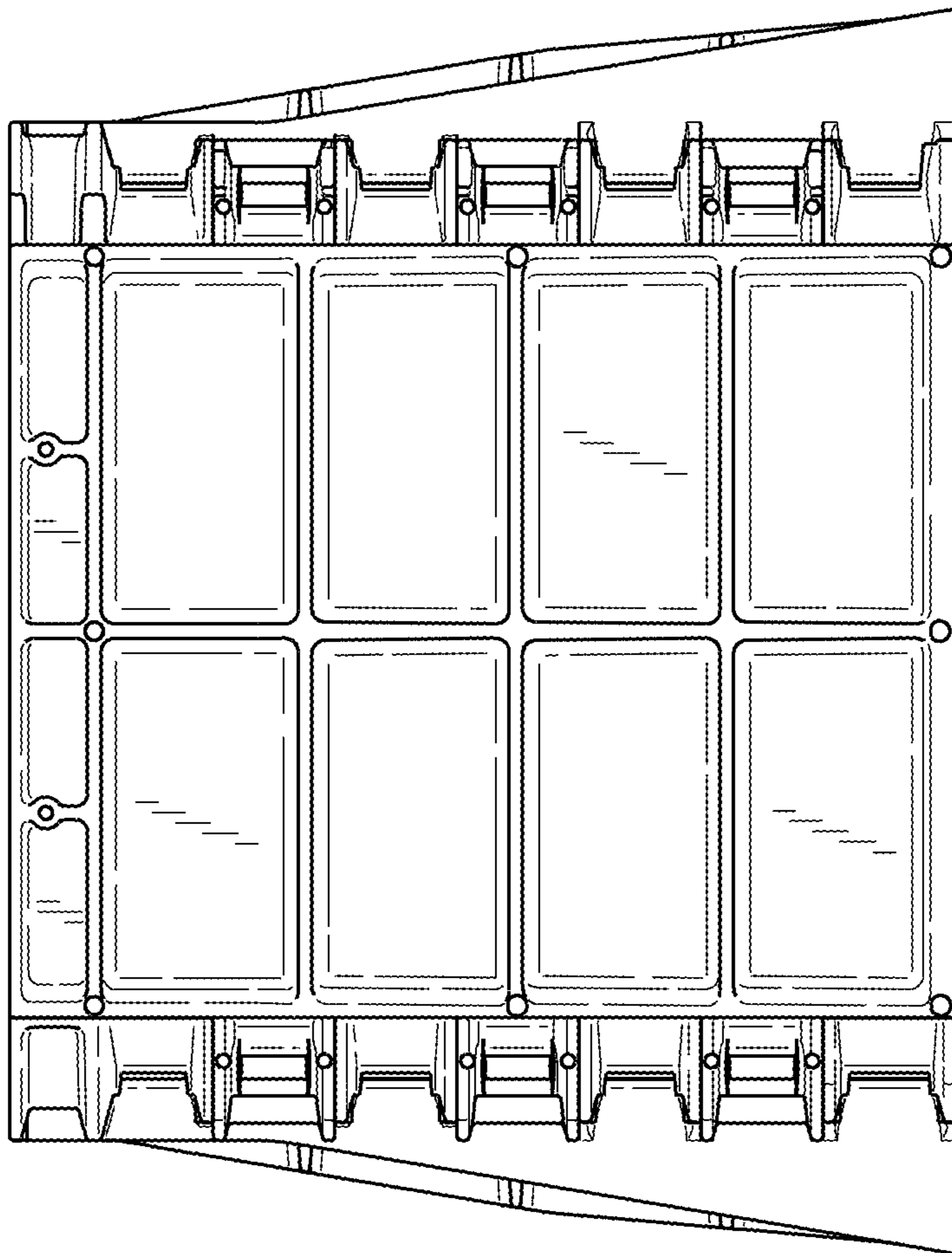


FIG. 3

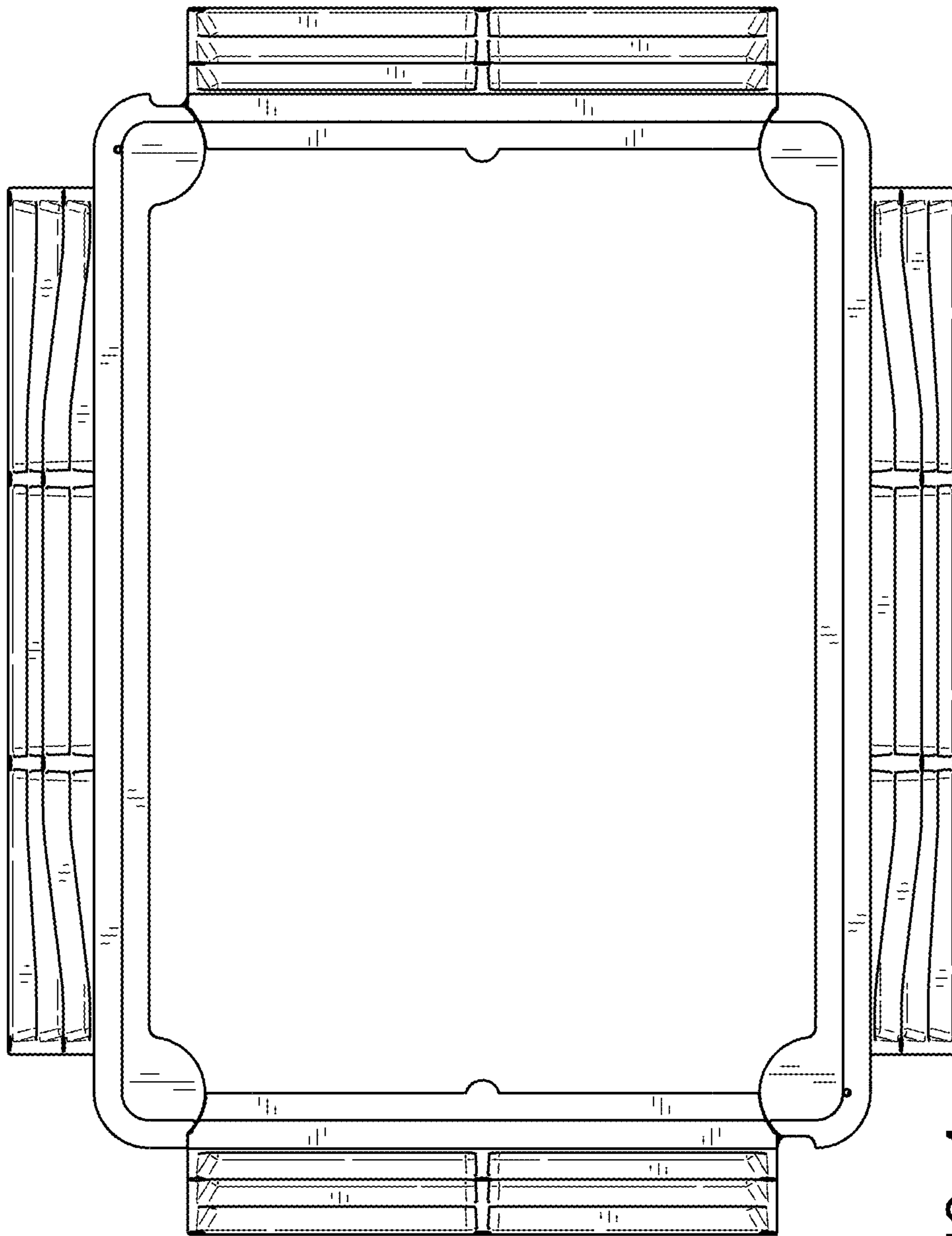


FIG. 4

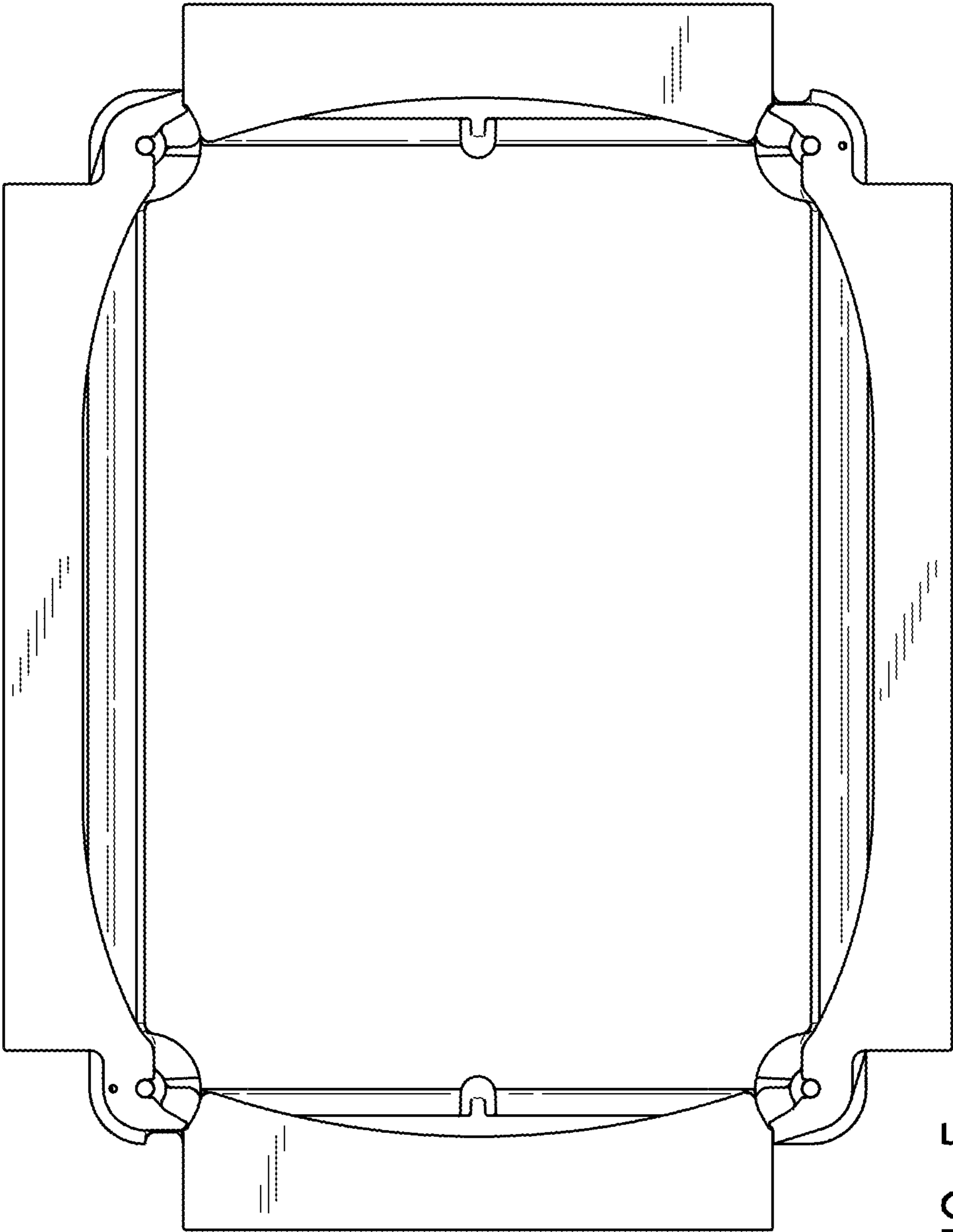


FIG. 5

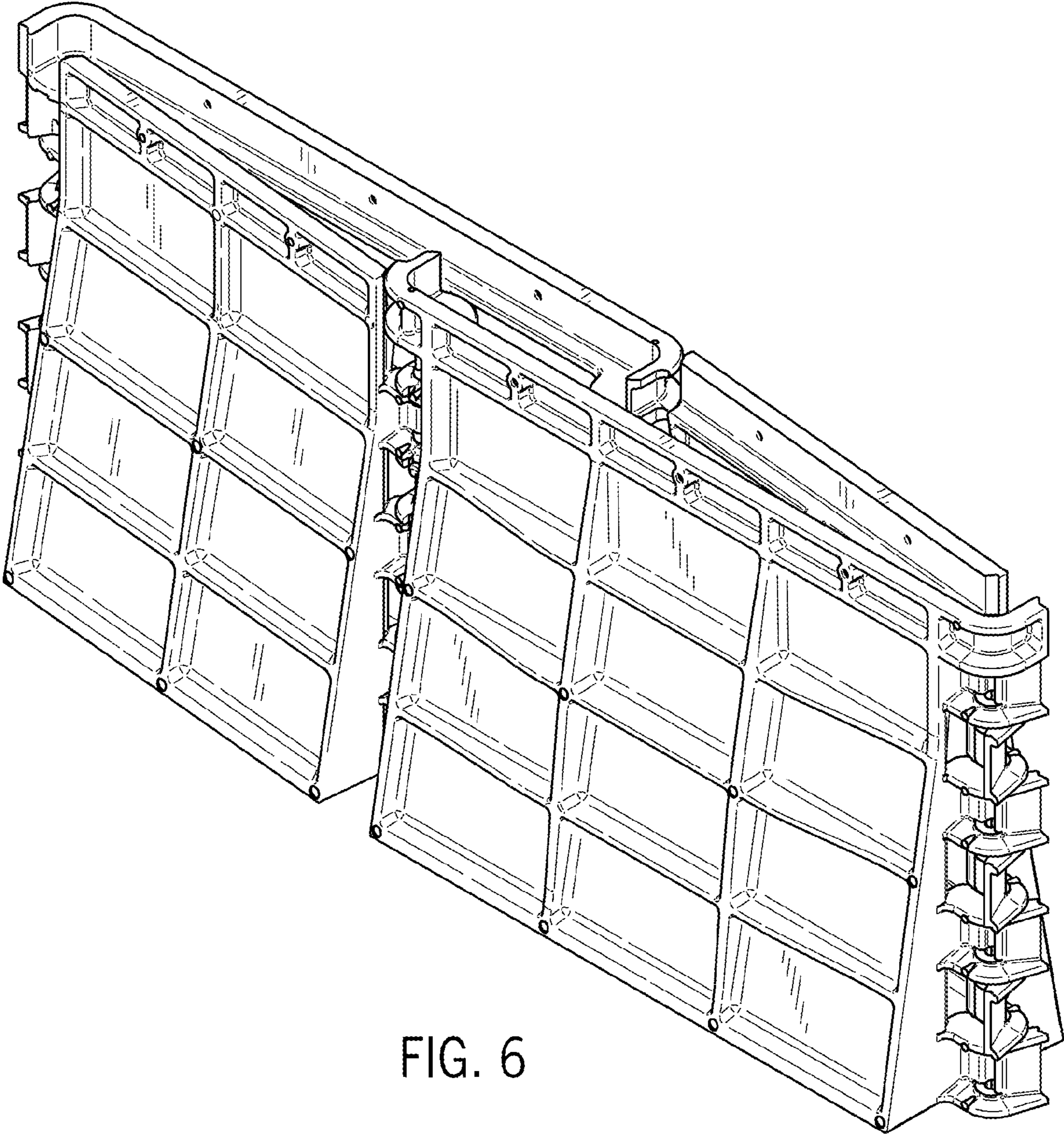


FIG. 6

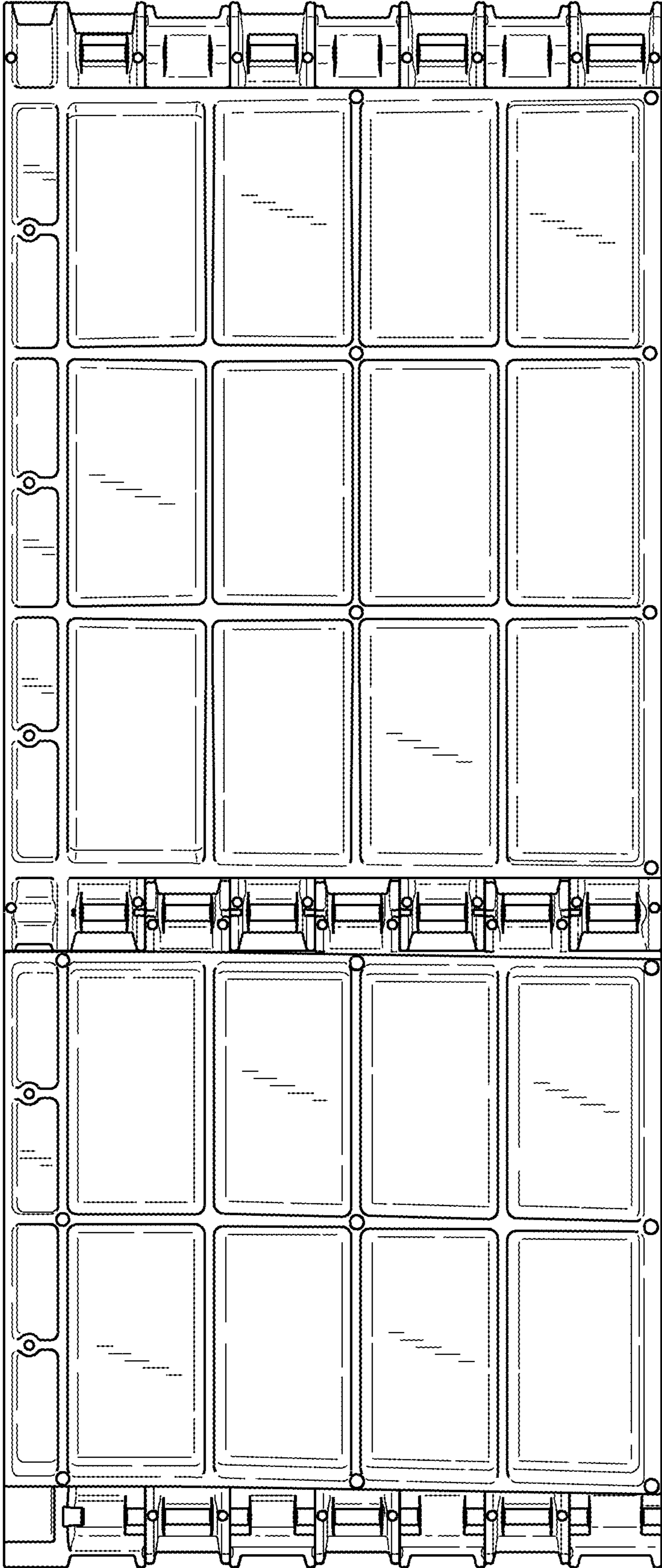


FIG. 7

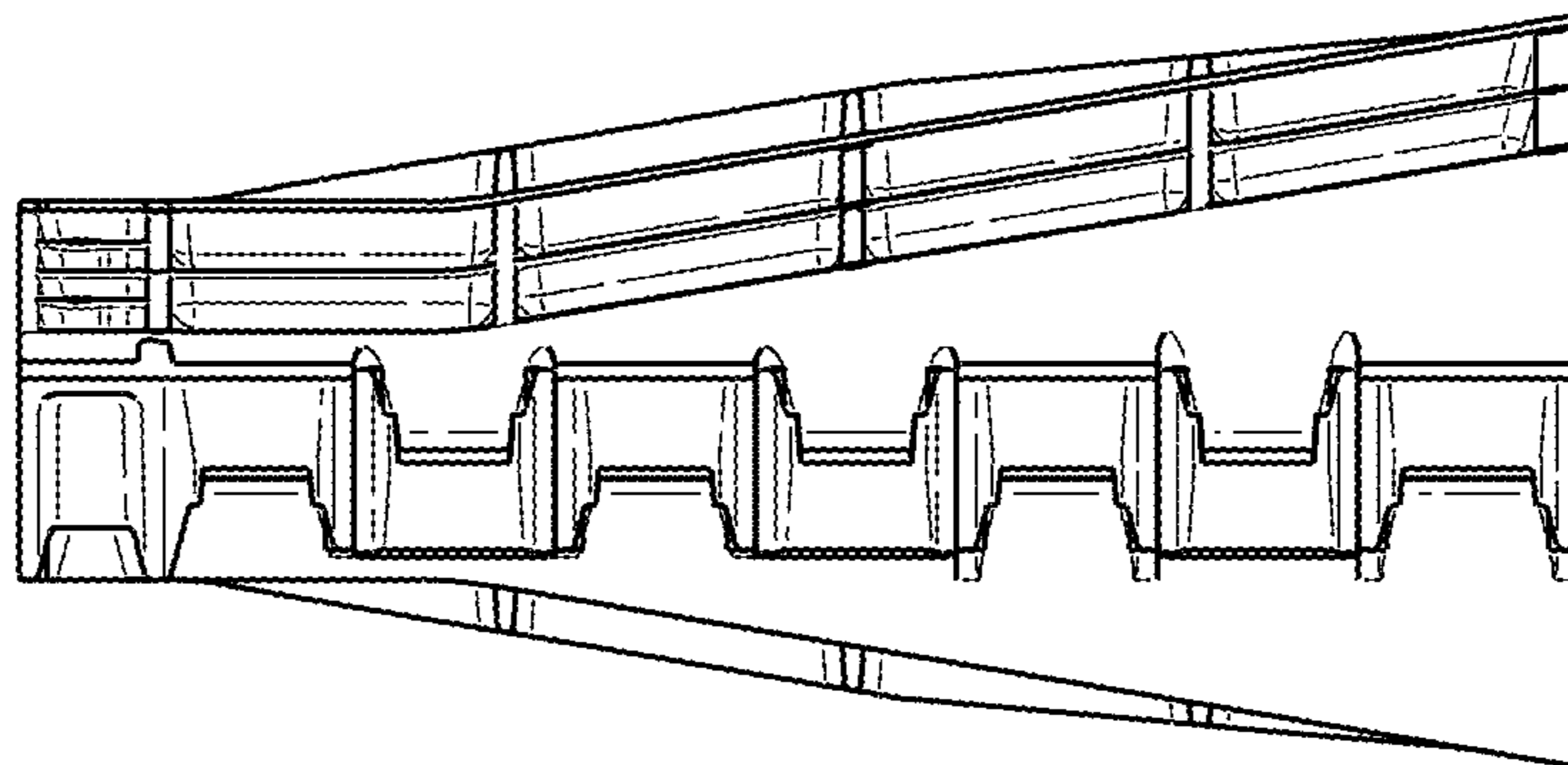


FIG. 8

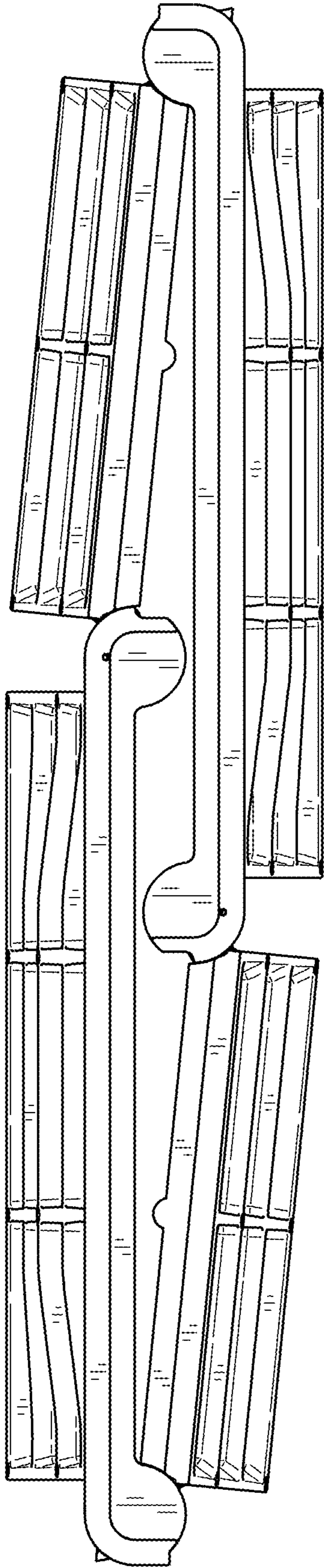


FIG. 9

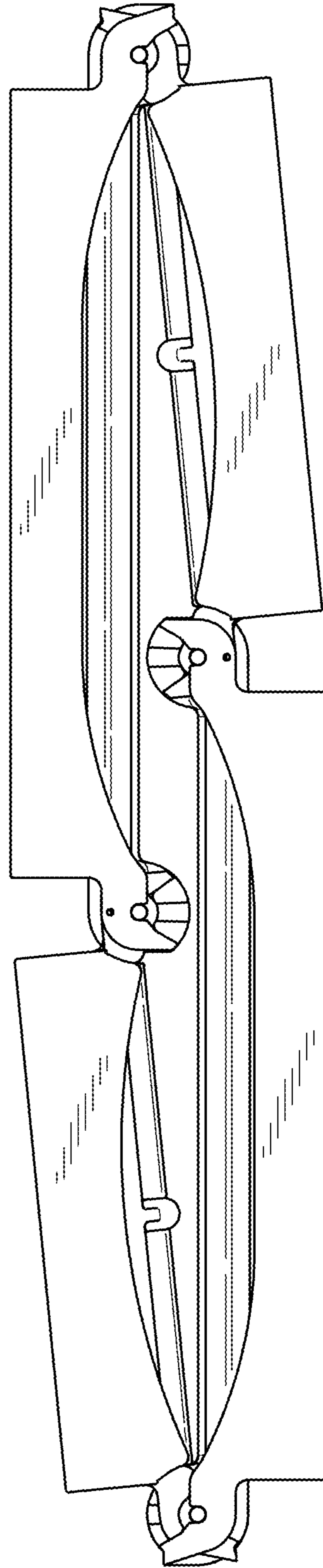


FIG. 10