



US00D958405S

(12) **United States Design Patent**
Pain

(10) **Patent No.:** **US D958,405 S**

(45) **Date of Patent:** **** *Jul. 19, 2022**

(54) **SWIMMING POOL WITH LEVEL SPA**

(71) Applicant: **North Star Technology Limited,**
Birkirkara BKR (MT)

(72) Inventor: **Kerry R. Pain,** Yatala (AU)

(73) Assignee: **North Star Technology Limited,**
Birkirkara BKR (MT)

(*) Notice: This patent is subject to a terminal disclaimer.

(**) Term: **15 Years**

(21) Appl. No.: **29/760,051**

(22) Filed: **Nov. 27, 2020**

(30) **Foreign Application Priority Data**

May 27, 2020 (AU) 202013009

(51) **LOC (13) Cl.** **25-03**

(52) **U.S. Cl.**
USPC **D25/2**

(58) **Field of Classification Search**
USPC D25/2; D21/815; D24/201, 204, 205;
4/506; D23/277, 280.1
CPC E04H 4/00; E04H 4/0018-0093; A61H
33/0087
See application file for complete search history.

(56) **References Cited**

U.S. PATENT DOCUMENTS

- D241,643 S * 9/1976 Bonsack D23/280.1
- D251,201 S * 2/1979 Mathis D24/204
- D266,697 S * 10/1982 Topete D23/277
- D266,789 S * 11/1982 Topete D23/277
- D266,947 S * 11/1982 Topete D23/277
- D385,084 S * 10/1997 Menichiello D25/2
- D408,547 S * 4/1999 Sullivan D25/2
- D408,927 S * 4/1999 Sullivan D25/2

- D417,286 S * 11/1999 Sullivan D25/2
- D430,305 S * 8/2000 Sullivan D25/2
- D446,313 S * 8/2001 Sullivan D25/2
- D490,904 S * 6/2004 Erdelac D25/2
- D509,902 S * 9/2005 Sullivan D25/2
- D510,630 S * 10/2005 Sullivan D25/2
- D561,350 S * 2/2008 Hebert D25/2
- D573,717 S * 7/2008 Sullivan D25/2
- D574,967 S * 8/2008 Sullivan D25/2
- D676,148 S * 2/2013 Sullivan D25/2
- D682,443 S * 5/2013 Gill D25/2

(Continued)

OTHER PUBLICATIONS

IMP Digital, San Juan Fiberglass Pool Brochure, Apr. 25, 2018, FLIPHTML5, <https://fliphtml5.com/iiho/ehxl/basic> (Year: 2018).*

(Continued)

Primary Examiner — Brett Miller

(74) *Attorney, Agent, or Firm* — Martin & Ferraro, LLP

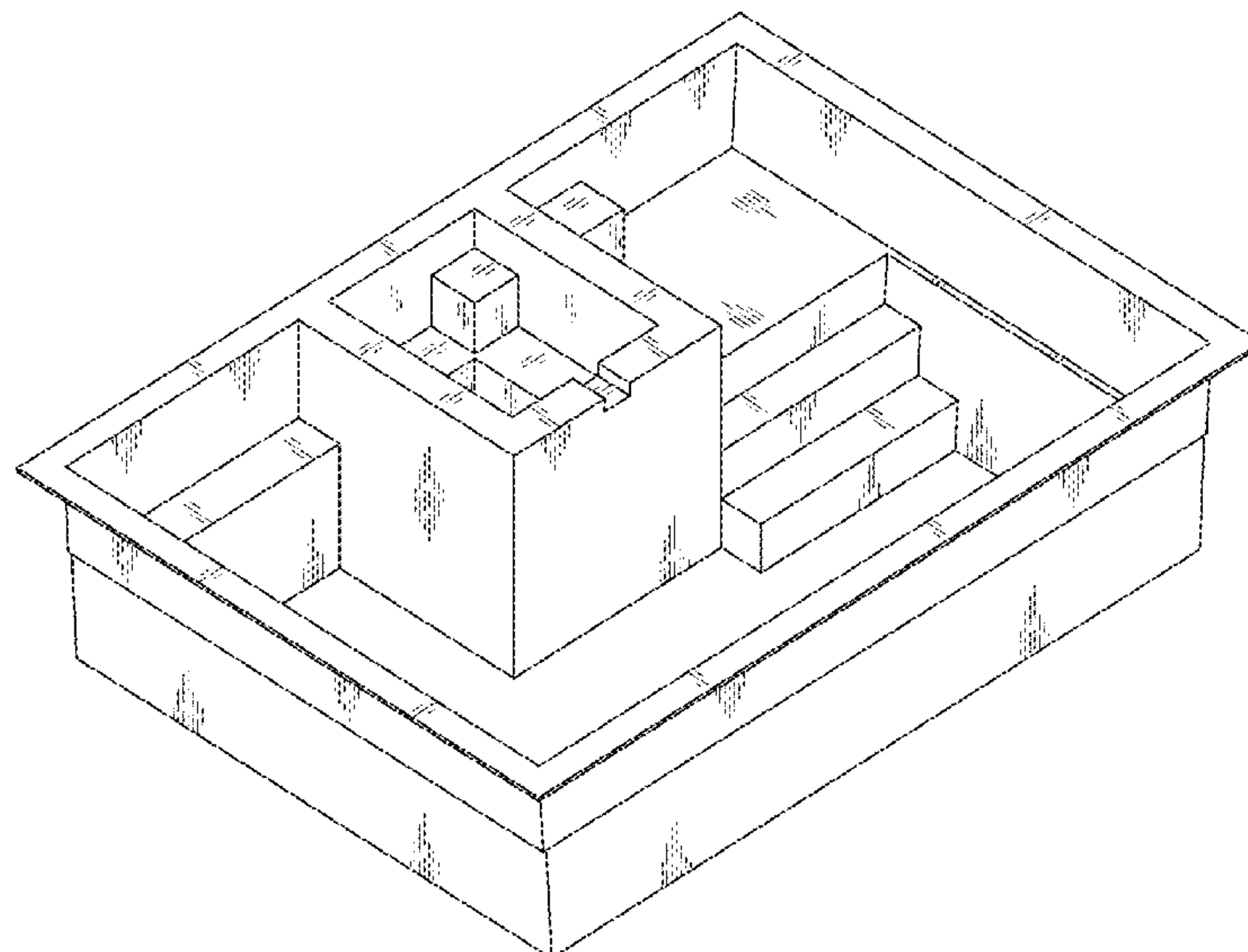
(57) **CLAIM**

The ornamental design for a swimming pool with level spa, as shown and described.

DESCRIPTION

FIG. 1 is a front, top and left perspective view of the swimming pool with level spa showing my new design; FIG. 2 is a front, top and right perspective view thereof; FIG. 3 is a rear, top and right perspective view thereof; FIG. 4 is a rear, top and left perspective view thereof; FIG. 5 is a top plan view thereof; FIG. 6 is a rear elevation view thereof; FIG. 7 is a front elevation view thereof; FIG. 8 is a right side elevation view thereof; FIG. 9 is a left side elevation view thereof; FIG. 10 is a cross sectional view along lines A-A of FIG. 5; and, FIG. 11 is a cross sectional view along lines B-B of FIG. 5.

1 Claim, 8 Drawing Sheets



(56)

References Cited

U.S. PATENT DOCUMENTS

D703,795 S * 4/2014 Licini D23/277
D793,575 S * 8/2017 Lin D25/2
D794,212 S * 8/2017 Pain D25/2
D851,781 S * 6/2019 Khamis D25/2
D864,402 S * 10/2019 Rathnam D24/204
2009/0151066 A1 * 6/2009 Sullivan E04H 4/0037
4/506
2015/0089732 A1 * 4/2015 Khamis H04L 43/0876
4/506

OTHER PUBLICATIONS

Trilogy Pools Catalog, 2017, vernonpoolman.com, <http://vernonpoolman.com/wp-content/uploads/2017/05/tp-brochure.pdf> (Year: 2017).*

Leisure Pools Brochure, Mar. 2017, <http://poolstore.biz/wp-content/uploads/2017/03/LP-Brochure.pdf> (Year: 2017).*

Blue Hawaiian Brochure, 2017, Latham, <https://statid.squarespace.com/static/58f38316ebbd1a9ee47de40e/t/5904f894e6f2e142b49db8f0/1493498076170/bh-brochure.pdf> (Year: 2017).*

Barrier Reef PoolsUSA, Fiberglass Swimming Pool Models, Dec. 9, 2016, Youtube, https://www.youtube.com/watch?v=3ojfi_oHfHs (Year: 2016).*

Viking Pools Brochure, Feb. 2018, <https://boyermountaindoorandpool.com/>, <https://boyermountaindoorandpool.com/wp-content/uploads/2018/02/2018-VP-Brochure.pdf> (Year: 2018).*

Imagine Pools Brochure, Oct. 2, 2018, <https://cleoutdoorsllc.com/wp-content/uploads/2018/10/Imagine-Pools-Consumer-Brochure-2018-1002.pdf>, p. 12 (Year: 2018).*

* cited by examiner

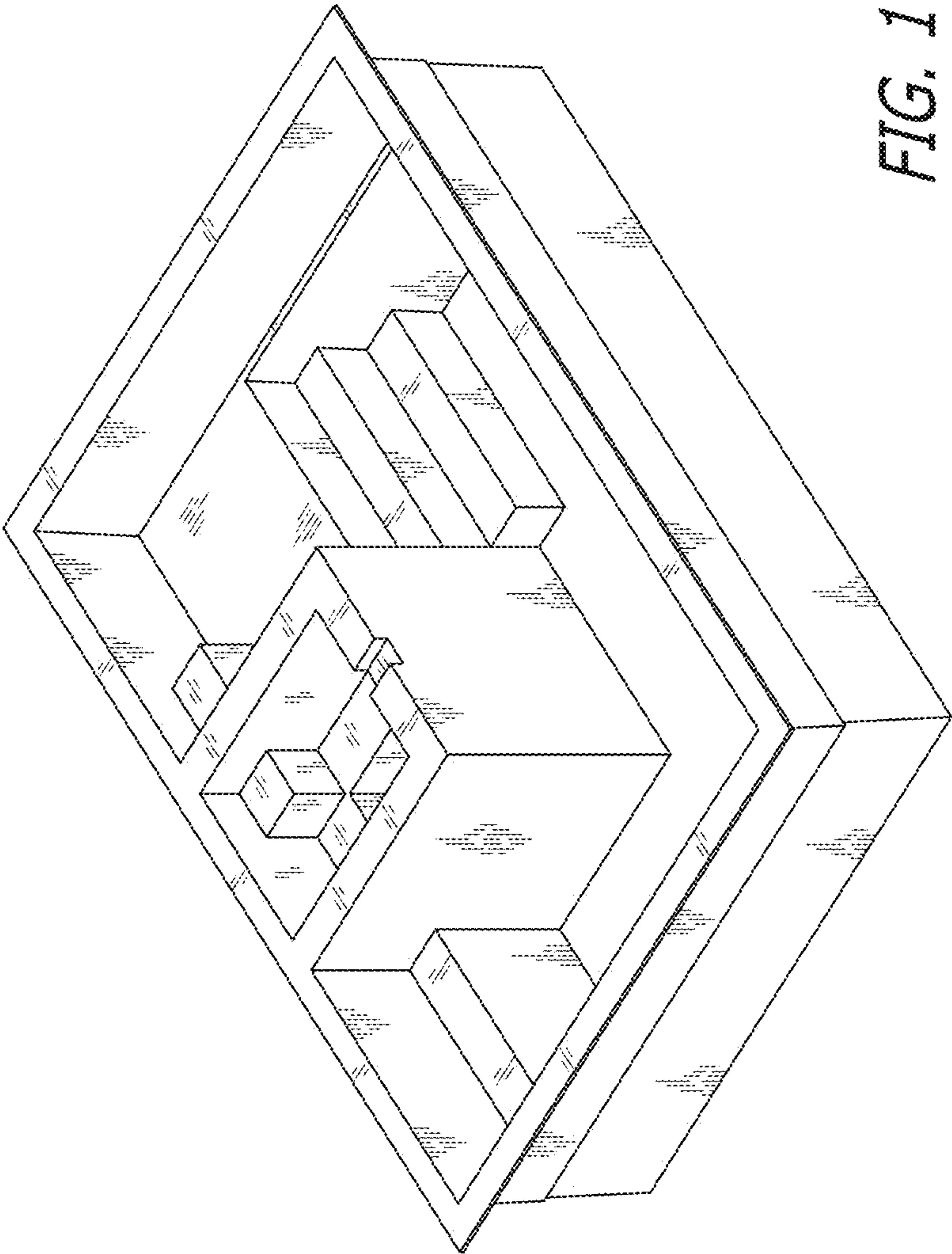


FIG. 1

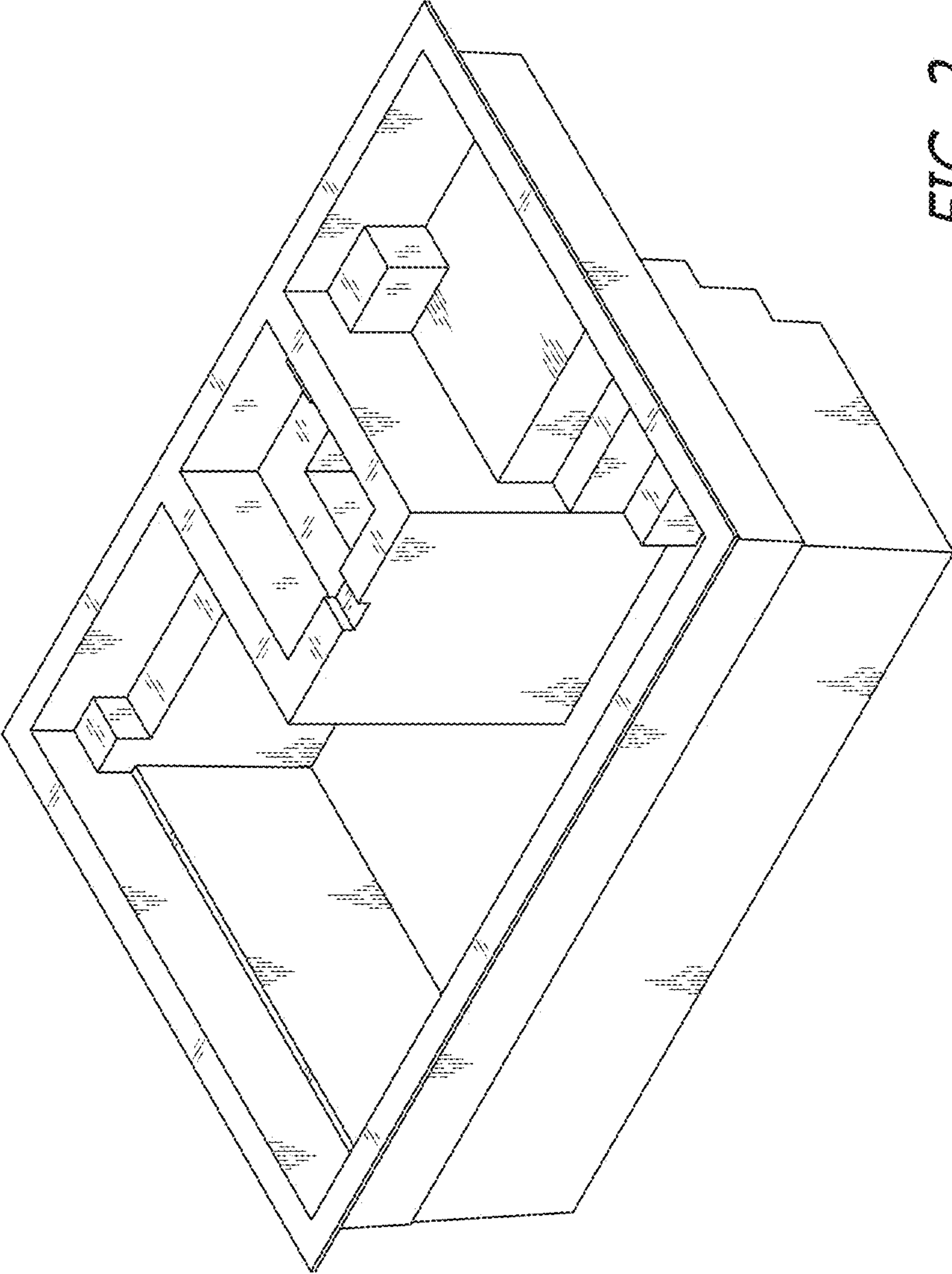


FIG. 2

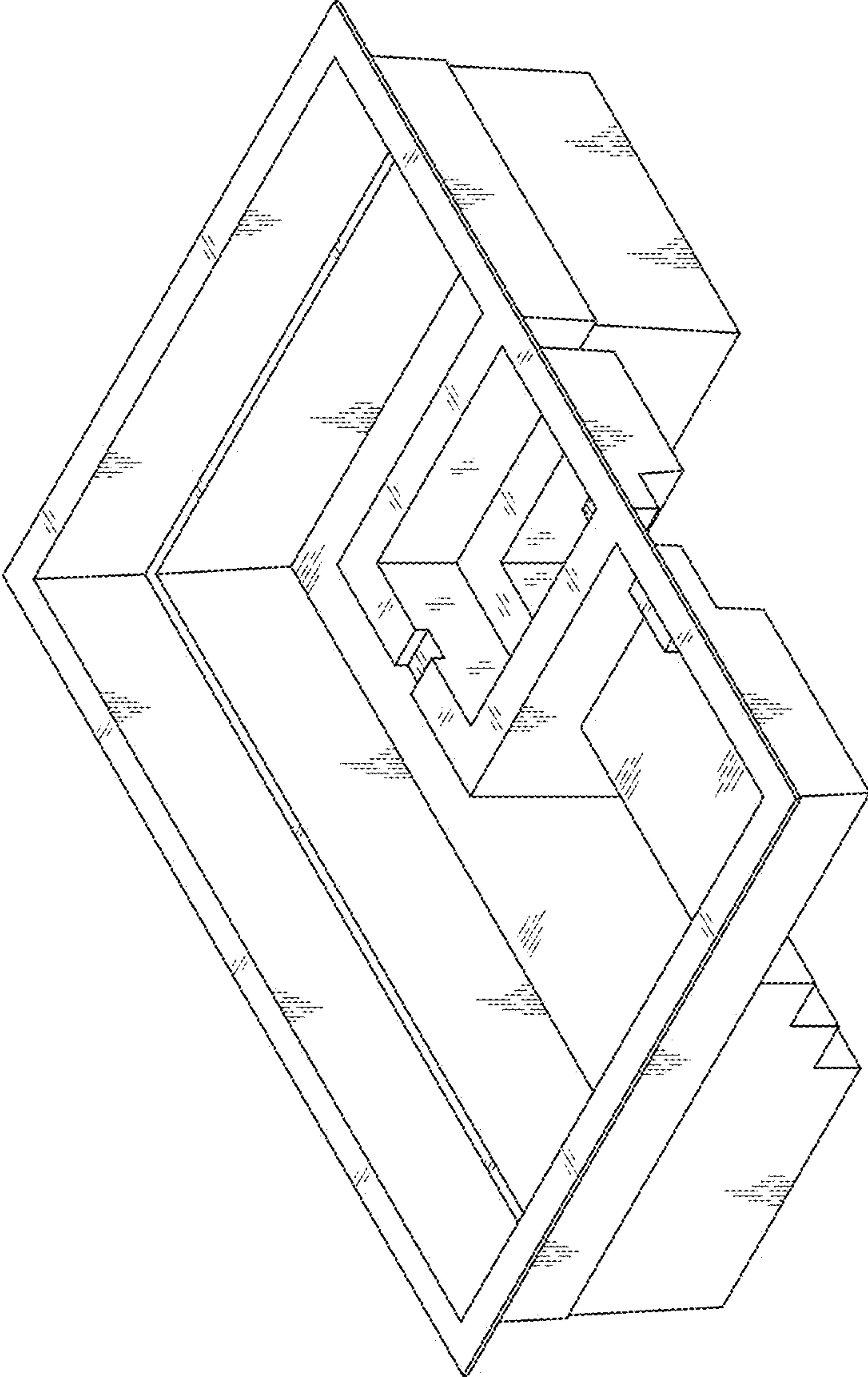


FIG. 3

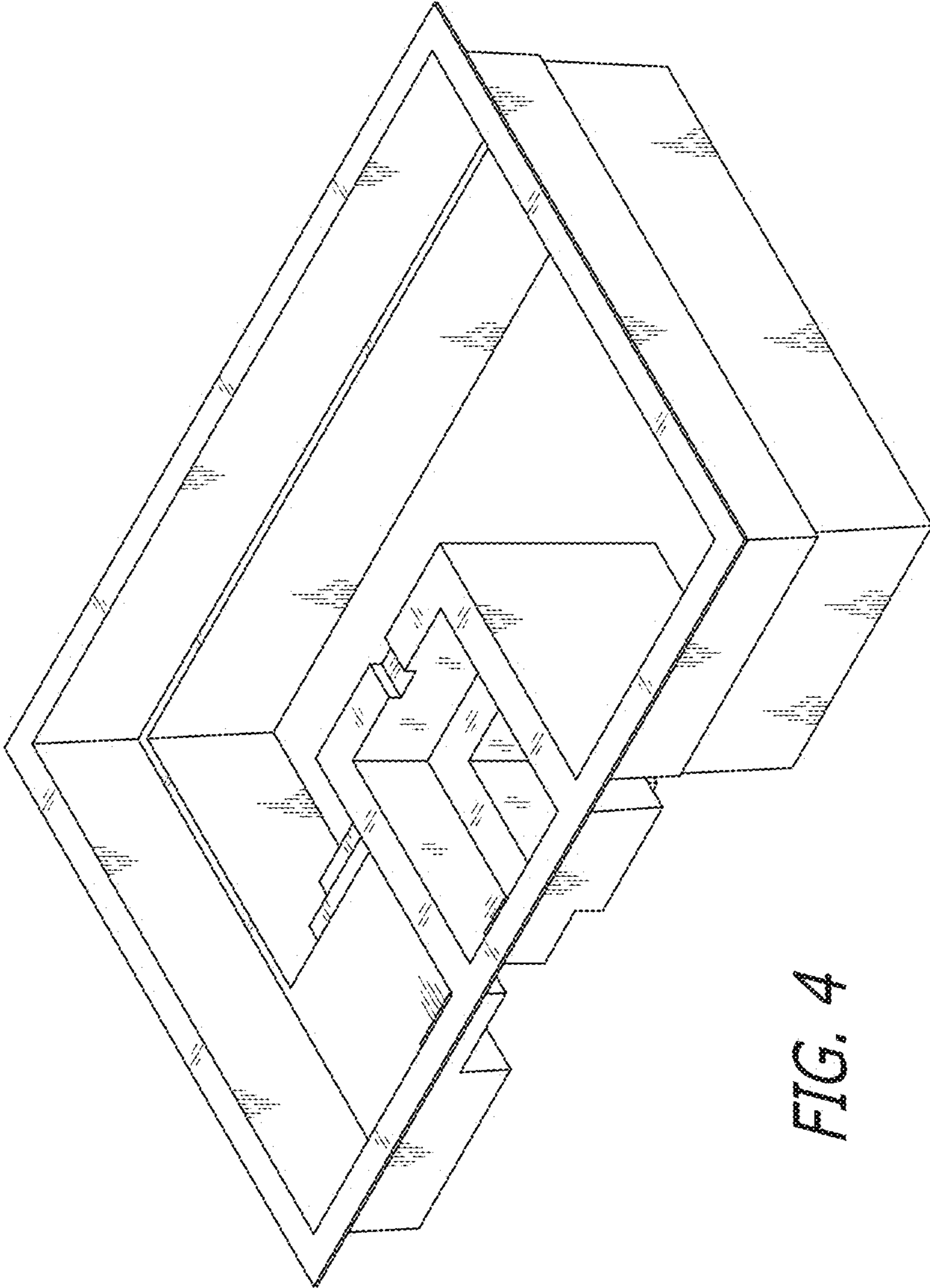


FIG. 4

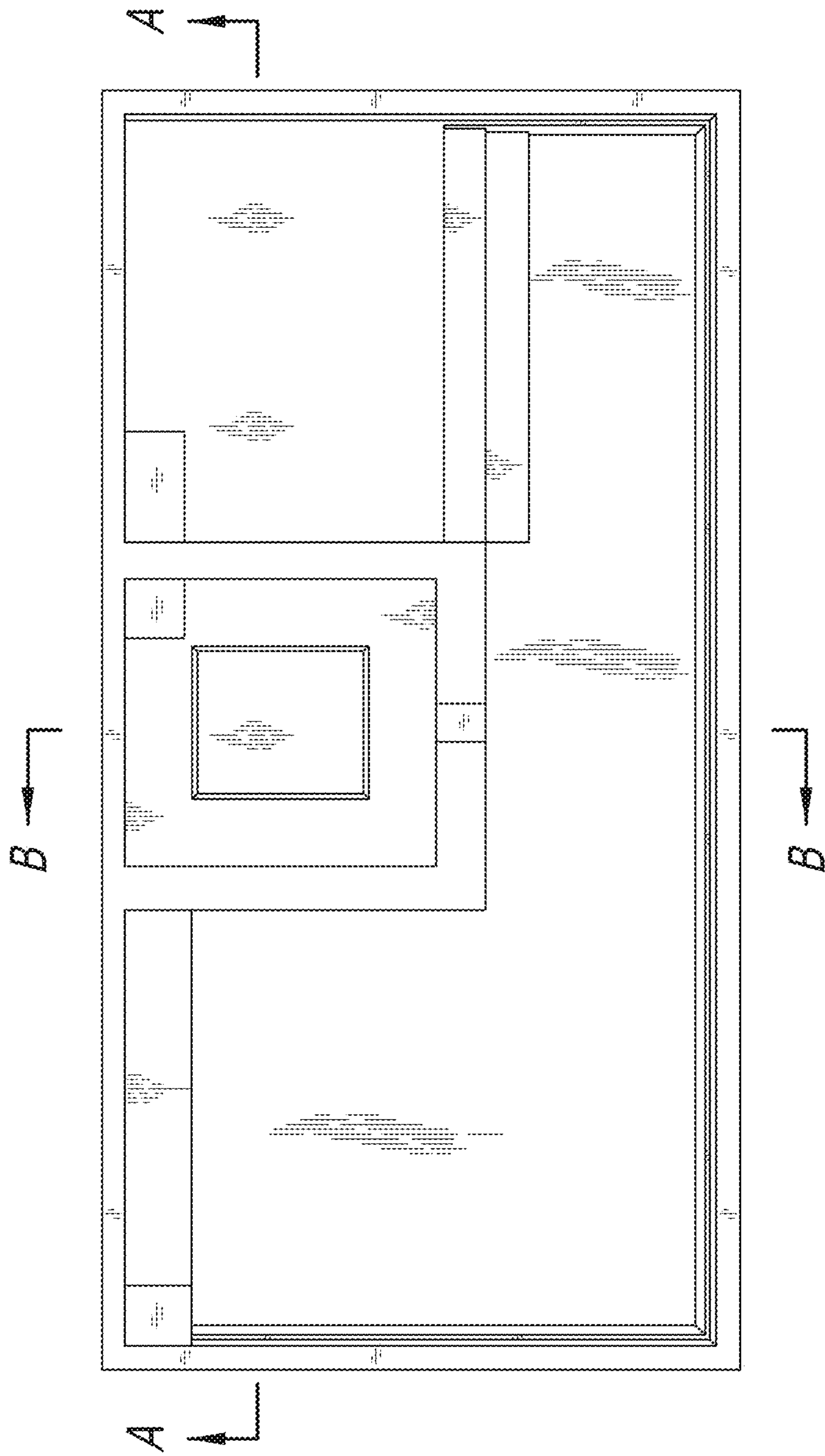


FIG. 5

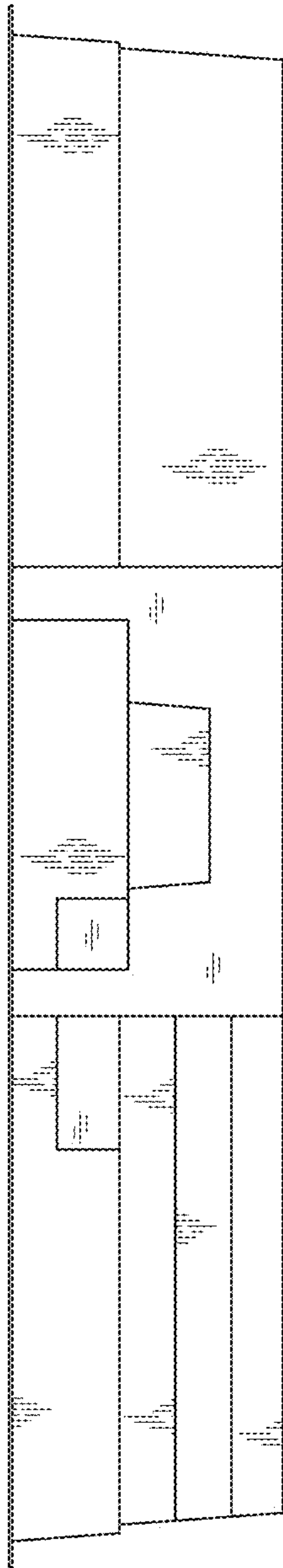


FIG. 6

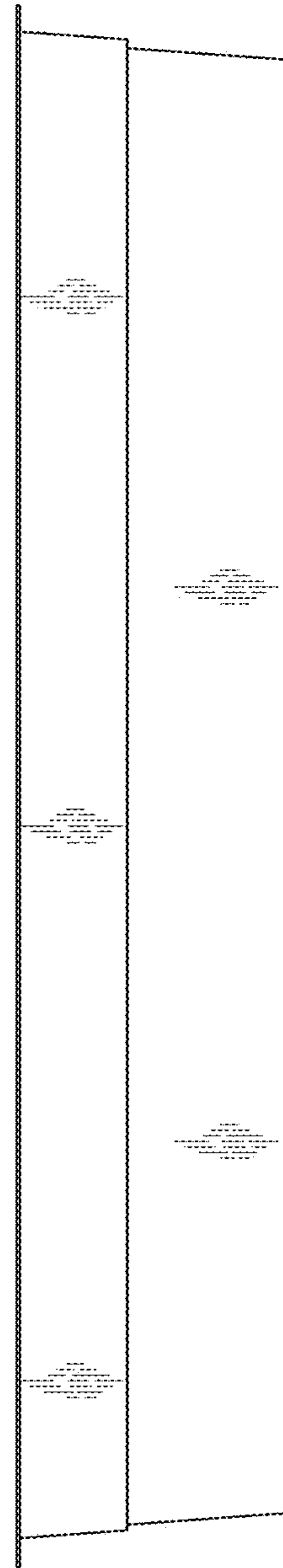


FIG. 7

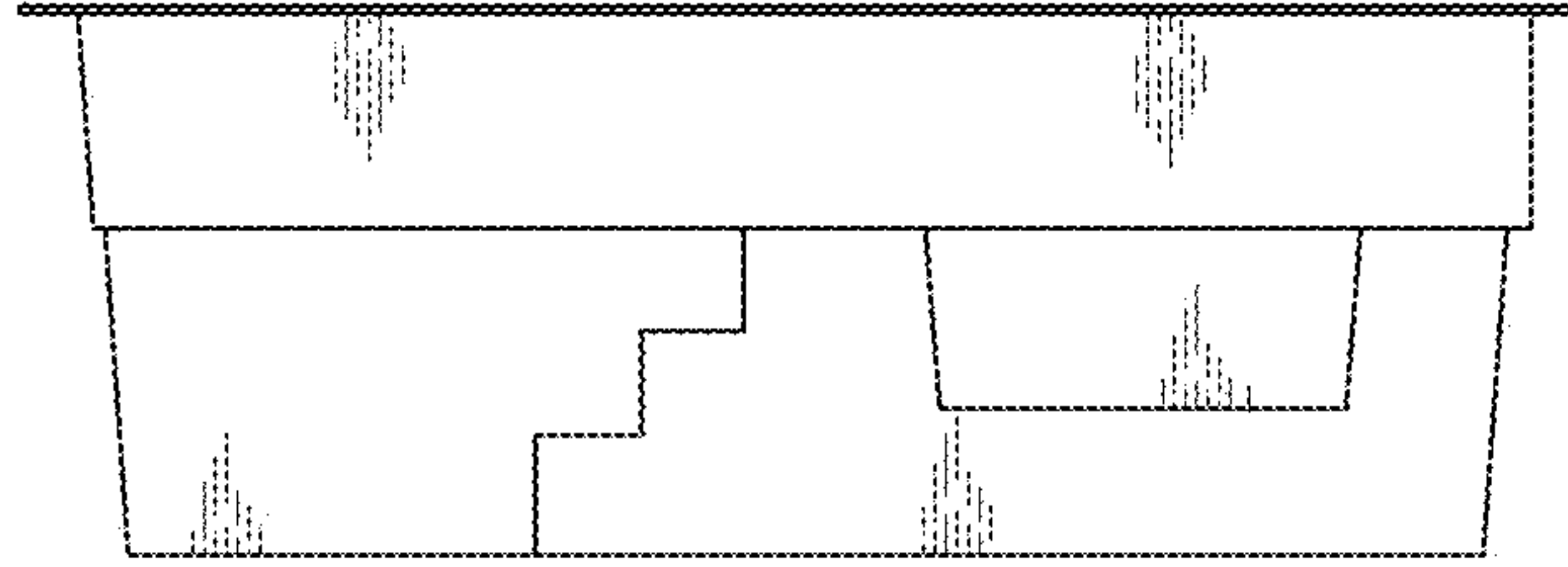


FIG. 8

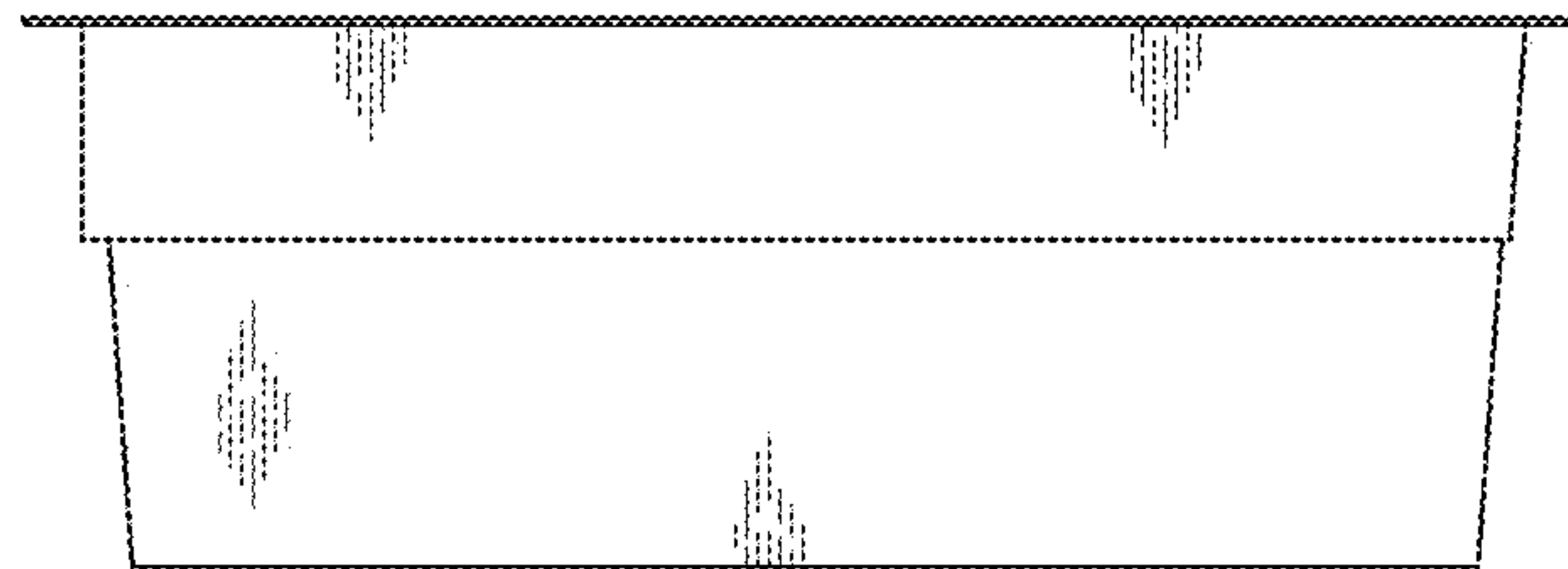
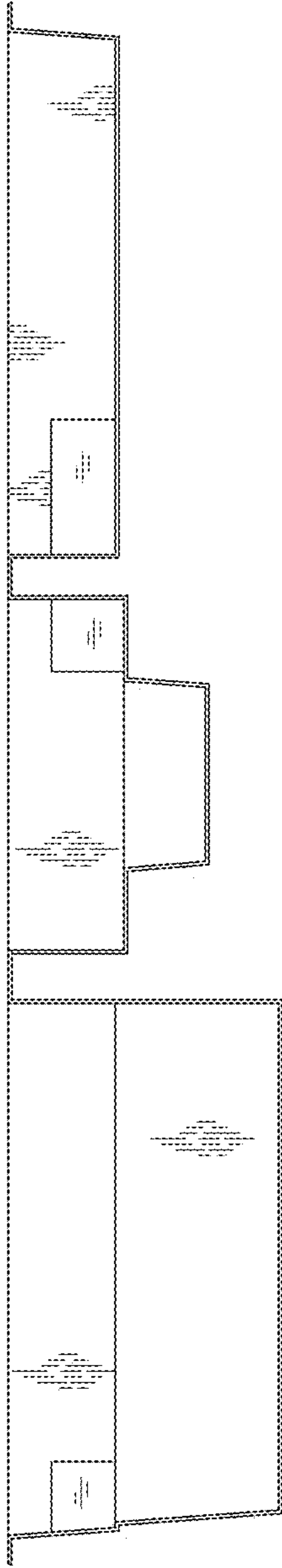
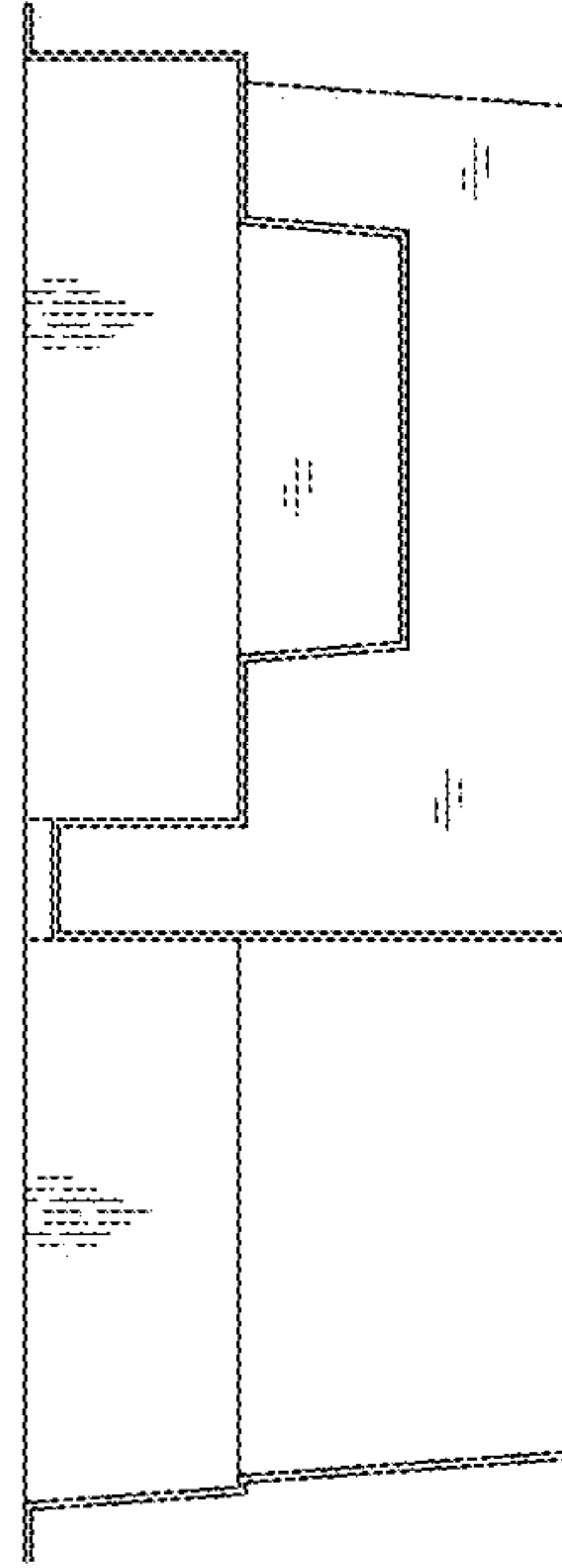


FIG. 9



SECTION A-A

FIG. 10



SECTION B-B

FIG. 11