



US00D958404S

(12) **United States Design Patent** (10) **Patent No.:** **US D958,404 S**
Aritome et al. (45) **Date of Patent:** **** Jul. 19, 2022**

(54) **CAPILLARY CARTRIDGE FOR ELECTROPHORESIS**

D852,979 S * 7/2019 Liu D24/233
11,125,720 B2 * 9/2021 Nakazawa G01N 27/44704
2010/0147692 A1 * 6/2010 Liu G01N 27/44782
204/603

(71) Applicants: **Hitachi High-Tech Corporation**,
Tokyo (JP); **Life Technologies Corporation**,
Carlsbad, CA (US)

(Continued)

(72) Inventors: **Katsuhiro Aritome**, Tokyo (JP); **Asami Terakado**, Tokyo (JP); **Takeshi Ooura**, Tokyo (JP); **Sandro David Klein**, Irvine, CA (US)

FOREIGN PATENT DOCUMENTS

JP 1375692 S 12/2009

(73) Assignees: **Hitachi High-Tech Corporation**, Tokyo (JP); **Life Technologies Corporation**, Carlsbad, CA (US)

OTHER PUBLICATIONS

U.S. Appl. No. 29/749,440, filed Sep. 4, 2020.

(Continued)

(**) Term: **15 Years**

Primary Examiner — Anhdao Doan

(74) *Attorney, Agent, or Firm* — Crowell & Moring LLP

(21) Appl. No.: **29/749,443**

(57) **CLAIM**

(22) Filed: **Sep. 4, 2020**

The ornamental design for a capillary cartridge for electrophoresis, as shown and described.

(30) **Foreign Application Priority Data**

DESCRIPTION

Mar. 4, 2020 (JP) 2020-004286 D

(51) **LOC (13) Cl.** **24-01**

(52) **U.S. Cl.**

USPC **D24/233**

(58) **Field of Classification Search**

USPC D24/216, 219, 223–227, 231, 232, 233,
D24/234, 121; D10/81

CPC G01N 27/447; G01N 27/44704; G01N 27/44743; G01N 27/44756; G01N 27/44769; G01N 27/44791; Y01T 436/2575

See application file for complete search history.

FIG. 1 is a front, top, and left side perspective view of a capillary cartridge for electrophoresis according to the design;

FIG. 2 is a rear, bottom, and right side perspective view thereof;

FIG. 3 is a front view thereof;

FIG. 4 is a rear view thereof;

FIG. 5 is a left side view thereof;

FIG. 6 is a right side view thereof;

FIG. 7 is a top plan view thereof;

FIG. 8 is a bottom plan view thereof; and,

FIG. 9 is a cross-sectional view taken along line 9-9 of FIG. 3.

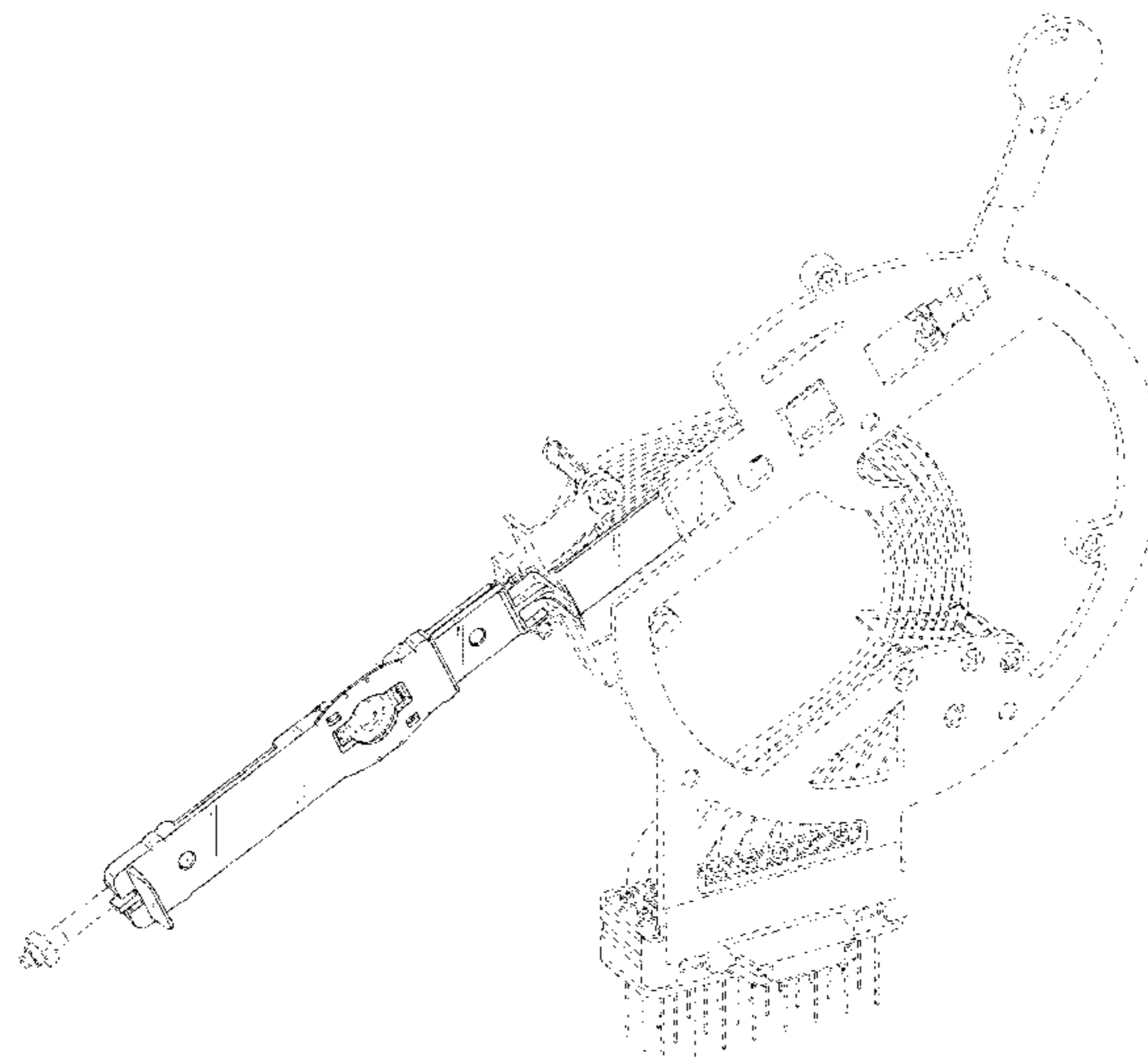
The broken lines illustrate portions of the capillary cartridge for electrophoresis that form no part of the claimed design. The alternate long and short dash lines define unclaimed boundaries of the claimed design.

(56) **References Cited**

U.S. PATENT DOCUMENTS

D679,832 S 4/2013 Oonuma et al.
D767,782 S * 9/2016 Cao D24/216
D851,779 S * 6/2019 Bulloch D24/233

1 Claim, 7 Drawing Sheets



(56)

References Cited

U.S. PATENT DOCUMENTS

2017/0176385 A1* 6/2017 Walton G01N 27/44791
2020/0232943 A1* 7/2020 Lim G01N 27/44717

OTHER PUBLICATIONS

U.S. Appl. No. 29/749,423, filed Sep. 4, 2020.
United States Notice of Allowance issued in U.S. Appl. No. 29/749,440,
dated Nov. 26, 2021 (10 pages).
United States Notice of Allowance issued in U.S. Appl. No. 29/749,423,
dated Nov. 26, 2021 (10 pages).

* cited by examiner

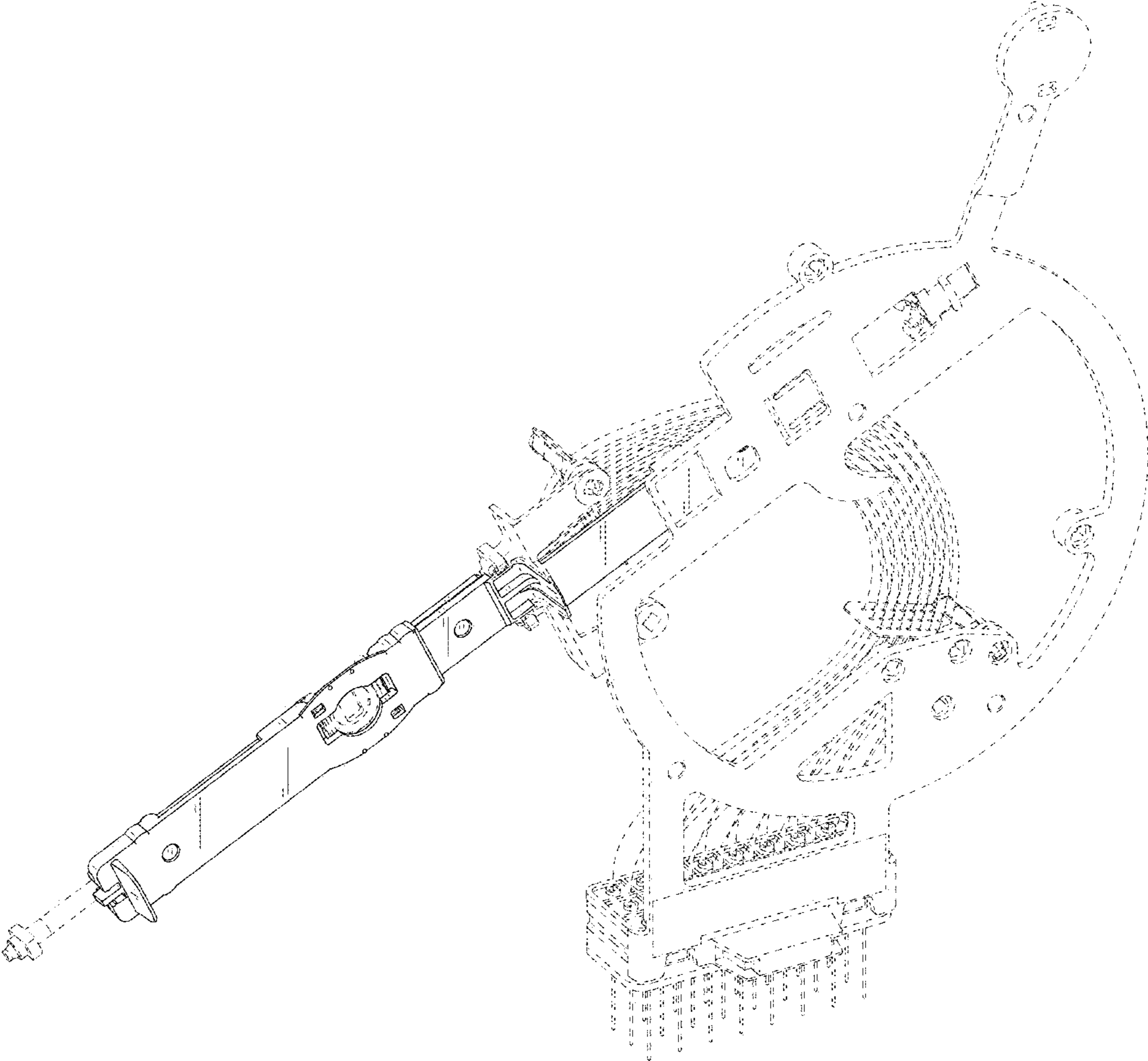


FIG. 1

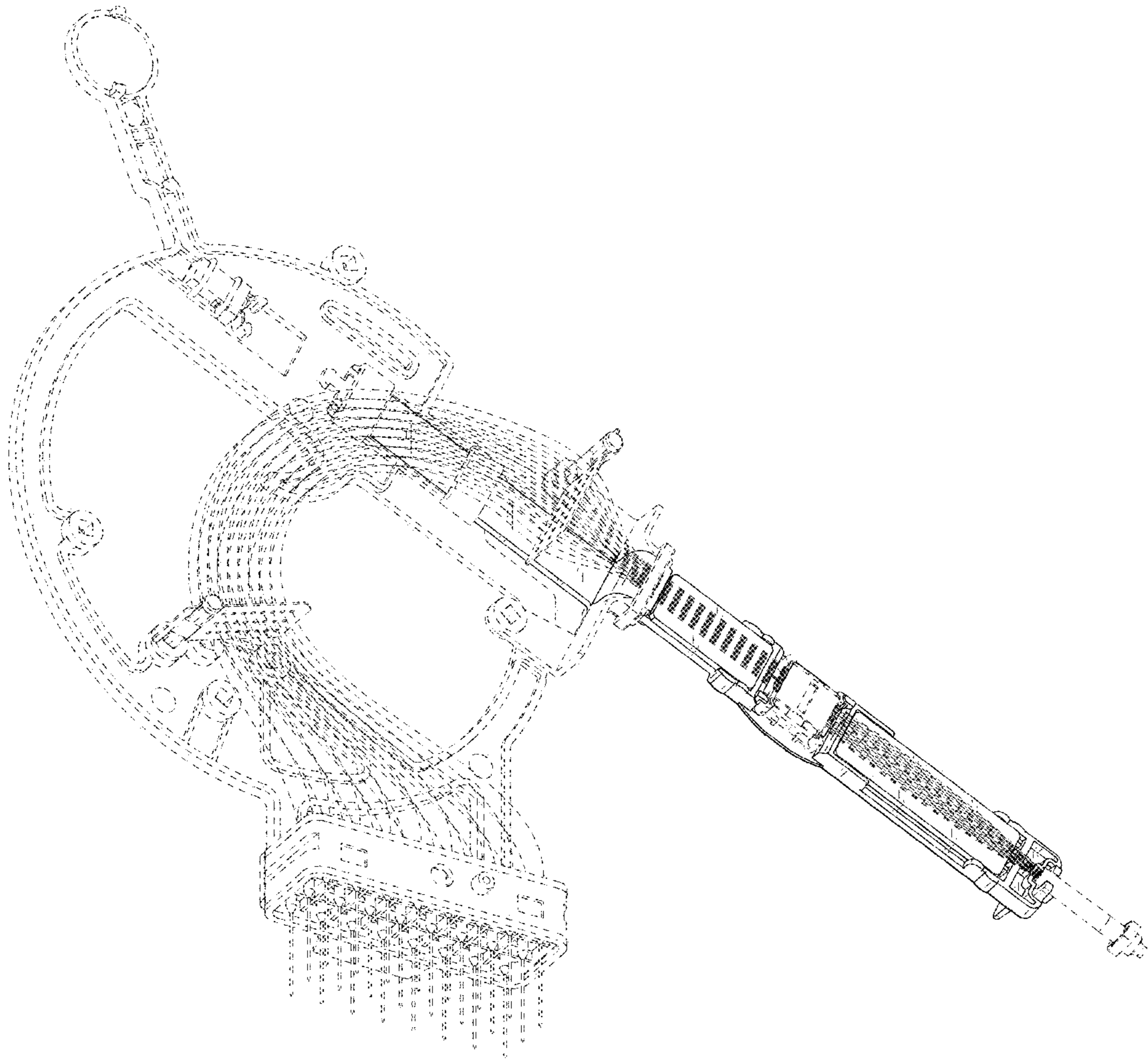


FIG. 2

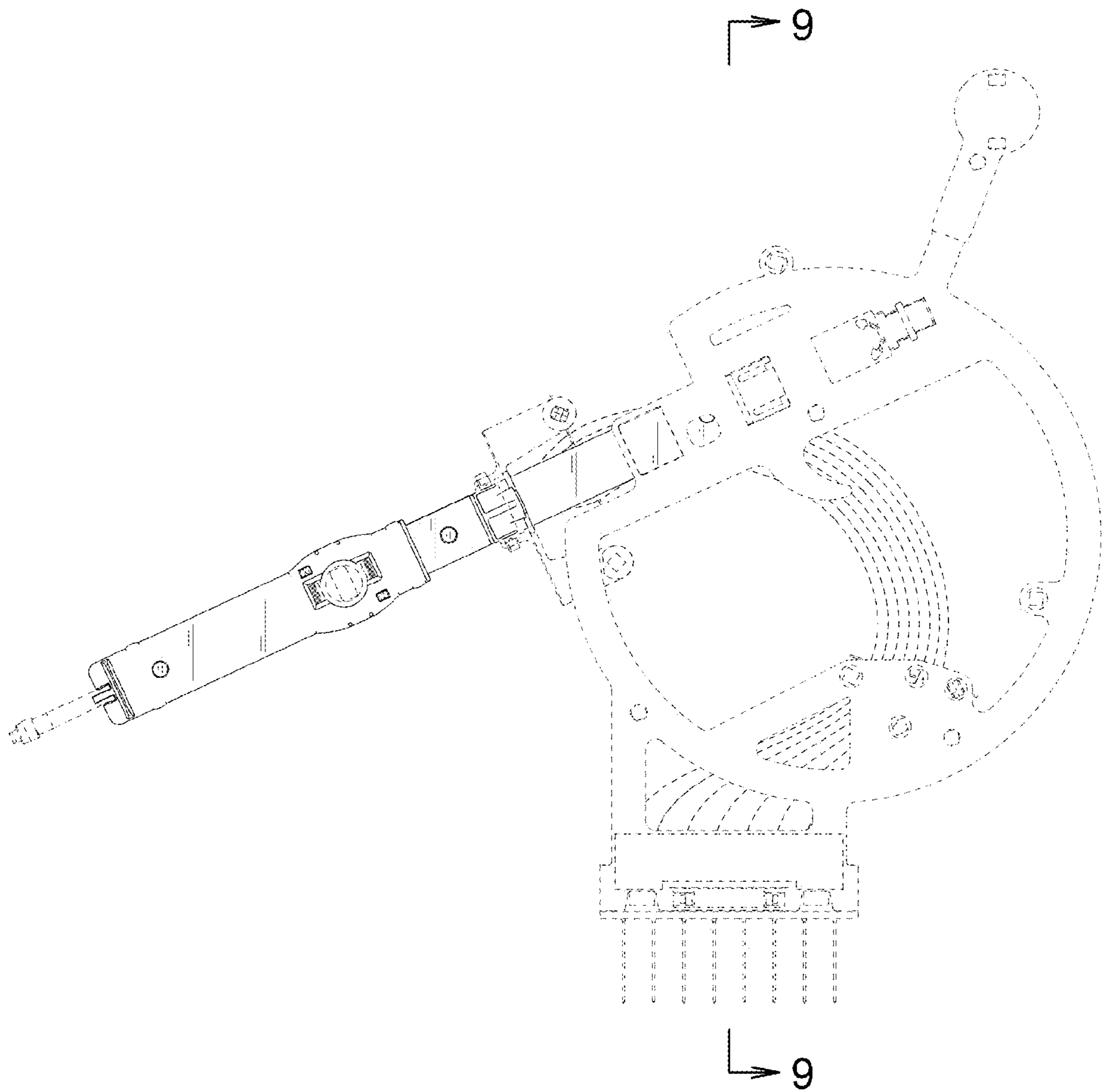


FIG. 3

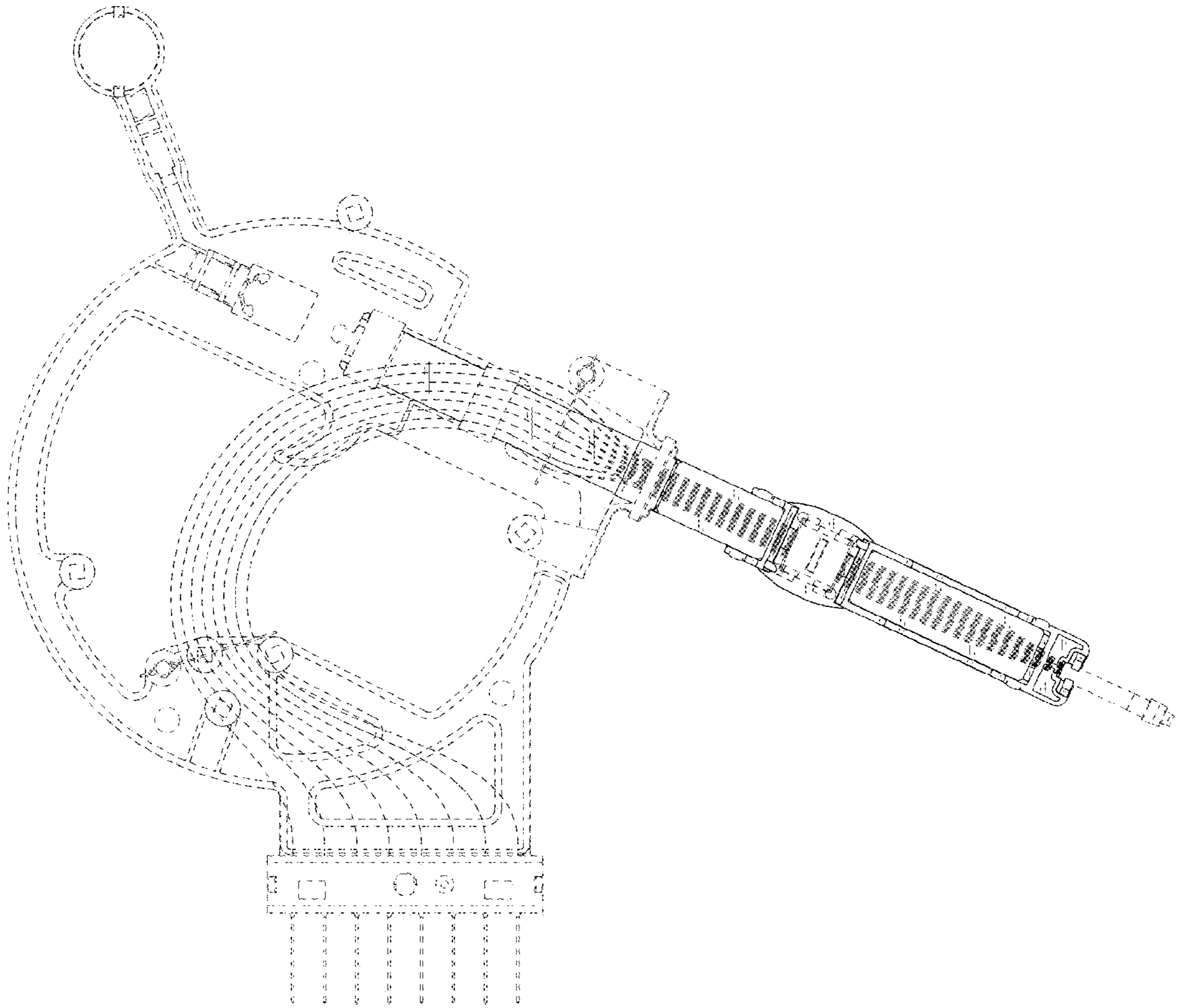


FIG. 4

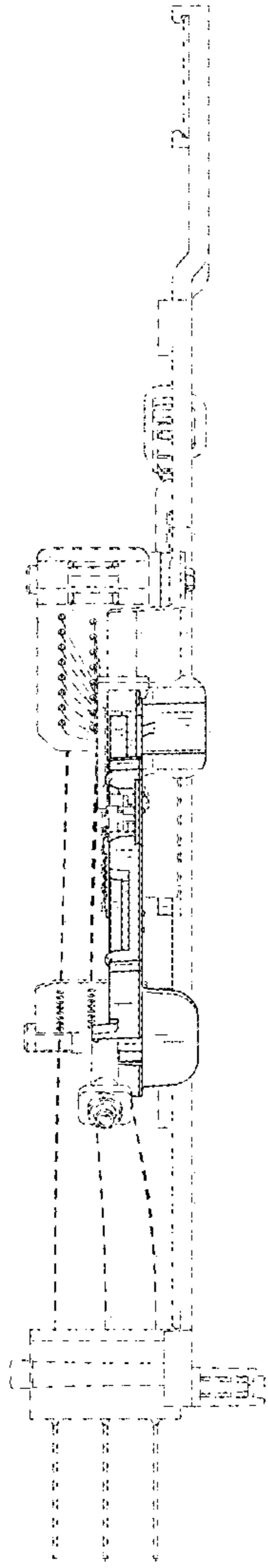


FIG. 5

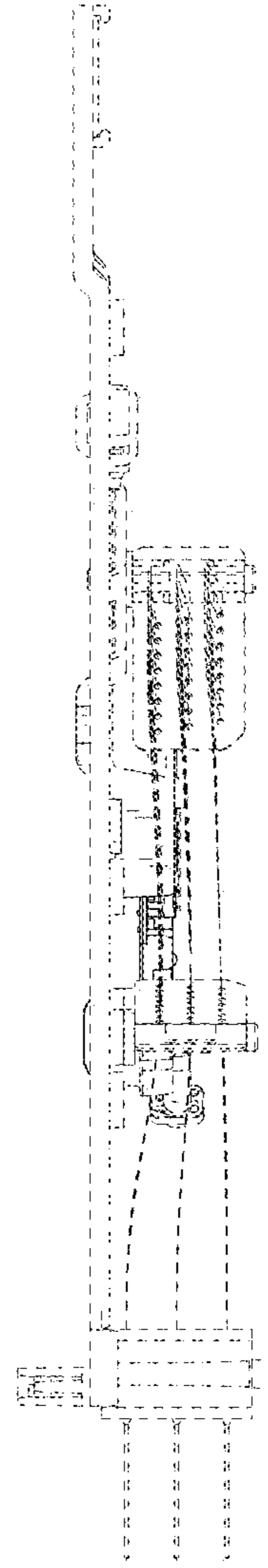


FIG. 6

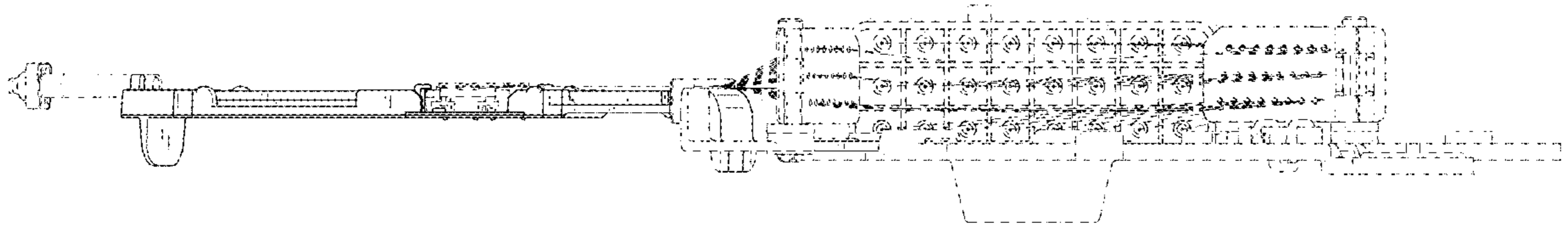


FIG. 7

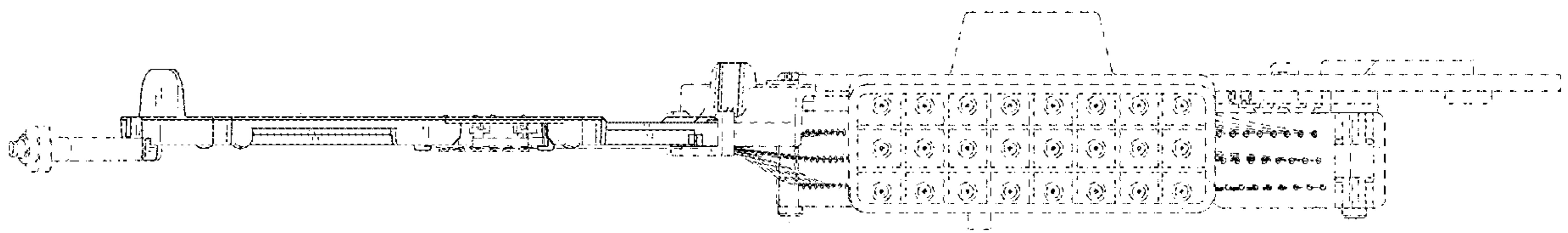


FIG. 8

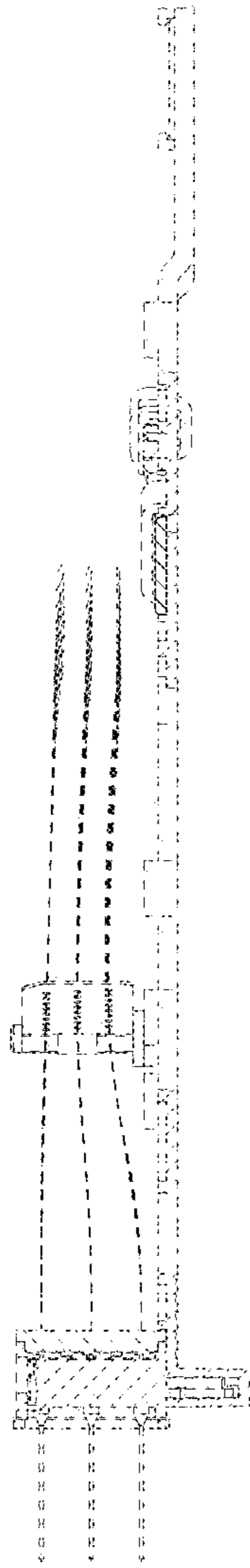


FIG. 9