



US00D958402S

(12) **United States Design Patent**
Mirdamadi

(10) **Patent No.:** **US D958,402 S**
(45) **Date of Patent:** **** Jul. 19, 2022**

- (54) **MOLDING APPARATUS WITH SYRINGE**
- (71) Applicant: **Eman Mirdamadi**, Potomac, MD (US)
- (72) Inventor: **Eman Mirdamadi**, Potomac, MD (US)
- (**) Term: **15 Years**
- (21) Appl. No.: **29/765,093**
- (22) Filed: **Jan. 5, 2021**
- (51) **LOC (13) Cl.** **24-99**
- (52) **U.S. Cl.**
USPC **D24/231; D24/130**
- (58) **Field of Classification Search**
USPC D24/108, 121, 125, 130, 155, 181, 199,
D24/211, 231, 111, 117
CPC A61C 9/0026; A61K 48/0008; A61K 9/00;
B29C 33/00
See application file for complete search history.

2019/0337241 A1* 11/2019 Mastal B29C 33/00
 2020/0180014 A1* 6/2020 Kazantsev B29C 39/36
 2021/0244933 A1* 8/2021 Jiang A61M 39/162

FOREIGN PATENT DOCUMENTS

KR 301147611.0000 * 1/2022

OTHER PUBLICATIONS

Translucent Sphere Ball Big Shape Polycarbonate Candle Making
 Mold, for Decoration, Bitzky India, India Mart, [Post date unknown],
 [Site seen May 12, 2022], Seen at URL: <https://www.indiamart.com/proddetail/sphere-ball-big-shape-polycarbonate-candle-making-mold-24523709888.html> (Year: 2022).*

(Continued)

Primary Examiner — Natasha Vujcic
Assistant Examiner — Gilbert B Ford
 (74) *Attorney, Agent, or Firm* — Michael Razavi; Alfred F. Hoyte, Jr.

(56) **References Cited**

U.S. PATENT DOCUMENTS

- 3,945,539 A * 3/1976 Sossong F02K 9/605
222/386.5
- 4,318,400 A * 3/1982 Peery A61M 5/152
604/179
- D324,911 S * 3/1992 Sancoff A61M 5/152
D24/111
- D339,193 S * 9/1993 Thompson D24/111
- 6,352,585 B1 * 3/2002 Diesso C04B 28/14
106/35
- D486,035 S * 2/2004 Morgan D7/354
- D548,832 S * 8/2007 Kallay D24/108
- D566,832 S * 4/2008 Thom D24/108
- 7,520,868 B2 * 4/2009 Lee A61M 5/152
604/890.1
- D727,494 S * 4/2015 Logue D24/121
- D796,278 S * 9/2017 Lonsway D8/1
- D896,954 S * 9/2020 Khalaj D24/121
- D910,865 S * 2/2021 Wise D24/211
- D928,307 S * 8/2021 Leadingham D24/111

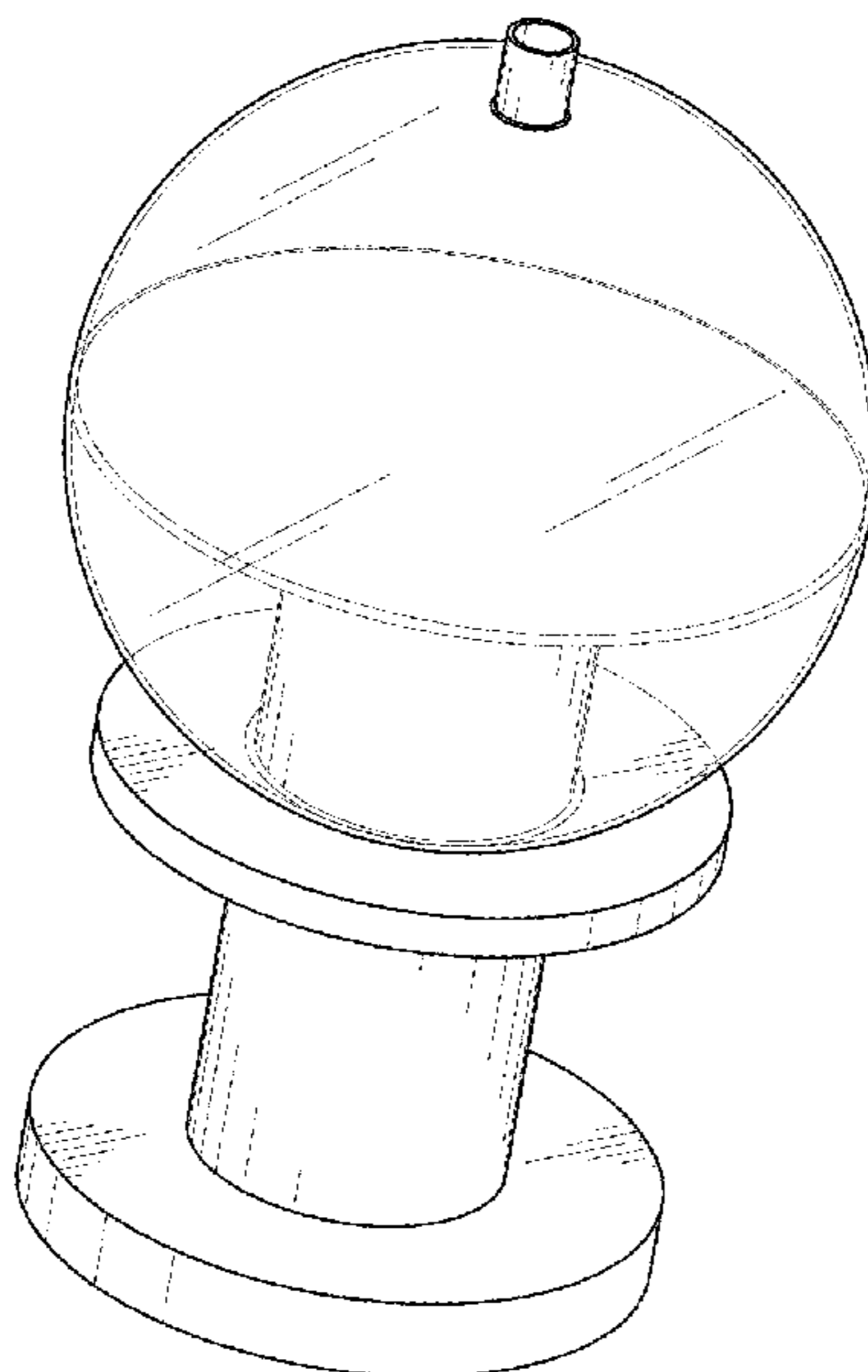
(57) **CLAIM**

I claim, the ornamental design for a molding apparatus with syringe, as shown and described.

DESCRIPTION

FIG. 1 is a perspective view of a molding apparatus with syringe of the invention;
 FIG. 2 is a right side elevational view of the molding apparatus with syringe of the invention.
 FIG. 3 is a top plan view of the molding apparatus with syringe of the invention; and,
 FIG. 4 is a bottom plan view of the molding apparatus with syringe of the invention.
 The side, rear, and front views of the molding apparatus with syringe are identical.

1 Claim, 3 Drawing Sheets



(56)

References Cited

OTHER PUBLICATIONS

Hailey Home Bartlett 1-Light 9-in Brass with Clear Glass Semi-flush Mount Light, Hailey Home, Lowes, [Post date unknown], [Site seen May 12, 2022], Seen at URL: <https://www.lowes.com/pd/Hailey-Home-Bartlett-Brass-Semi-Flush-Mount-Ceiling-Light-with-Clear-Glass/5013197117> (Year: 2020).*

* cited by examiner

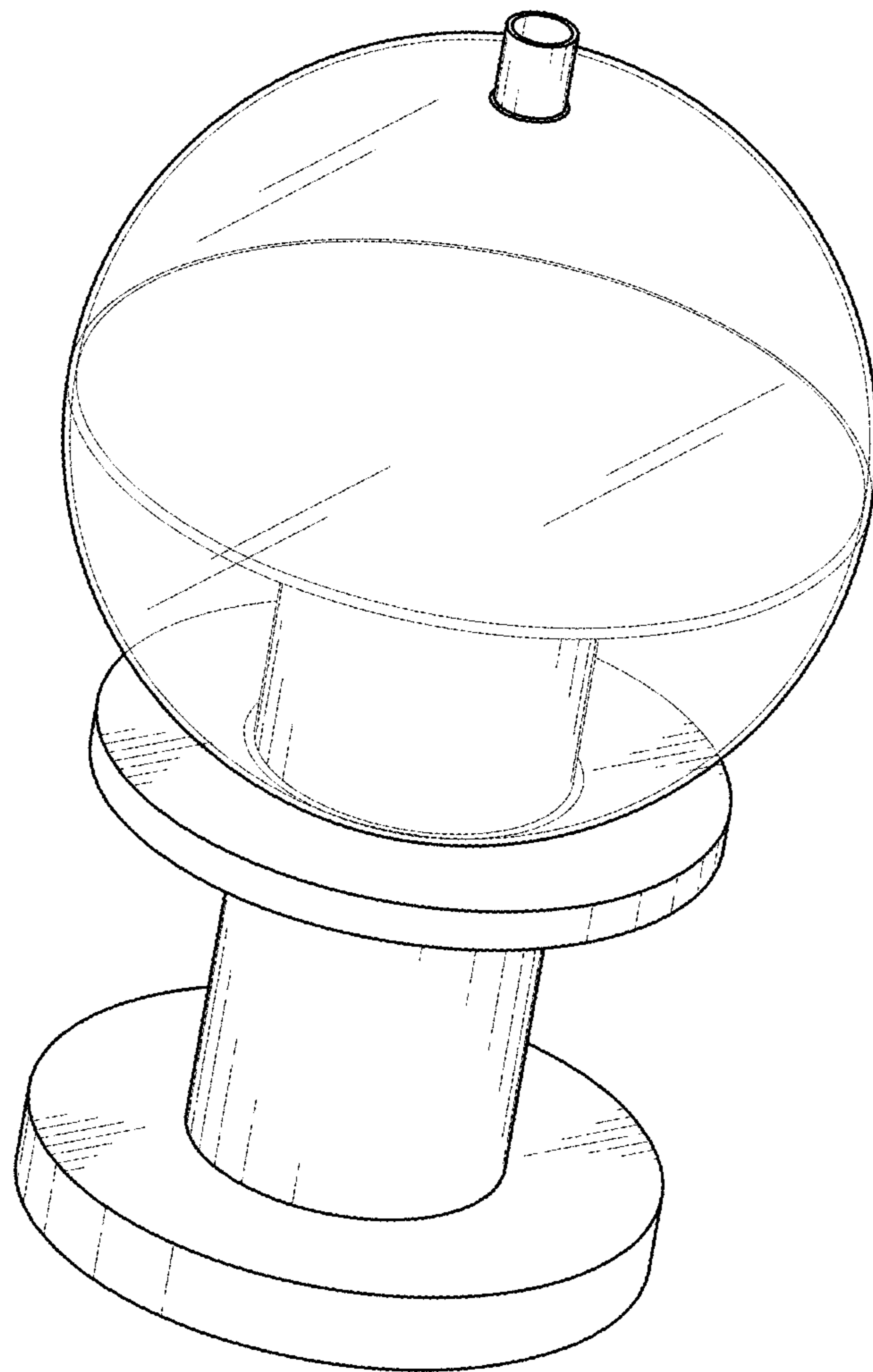


FIG. 1

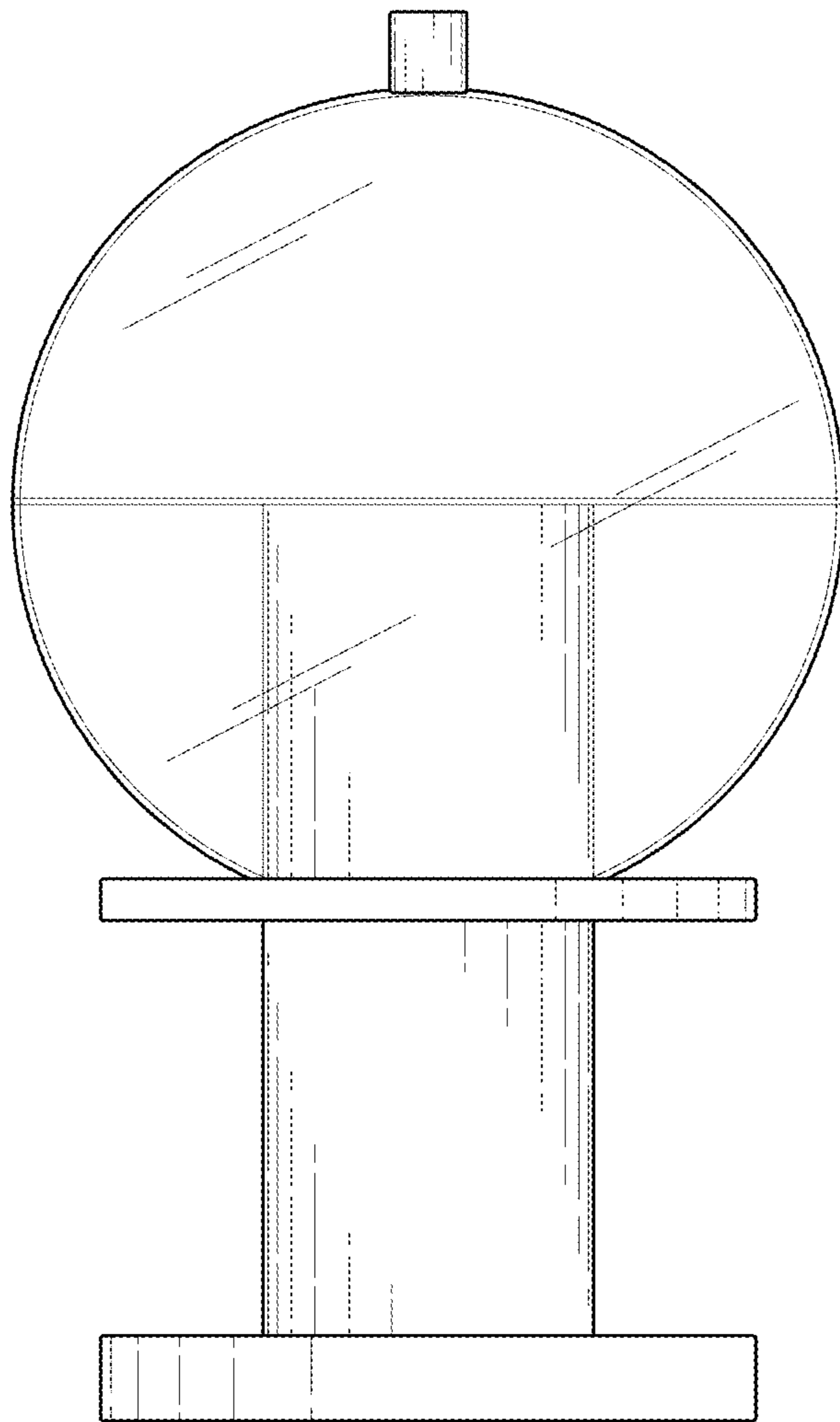


FIG. 2

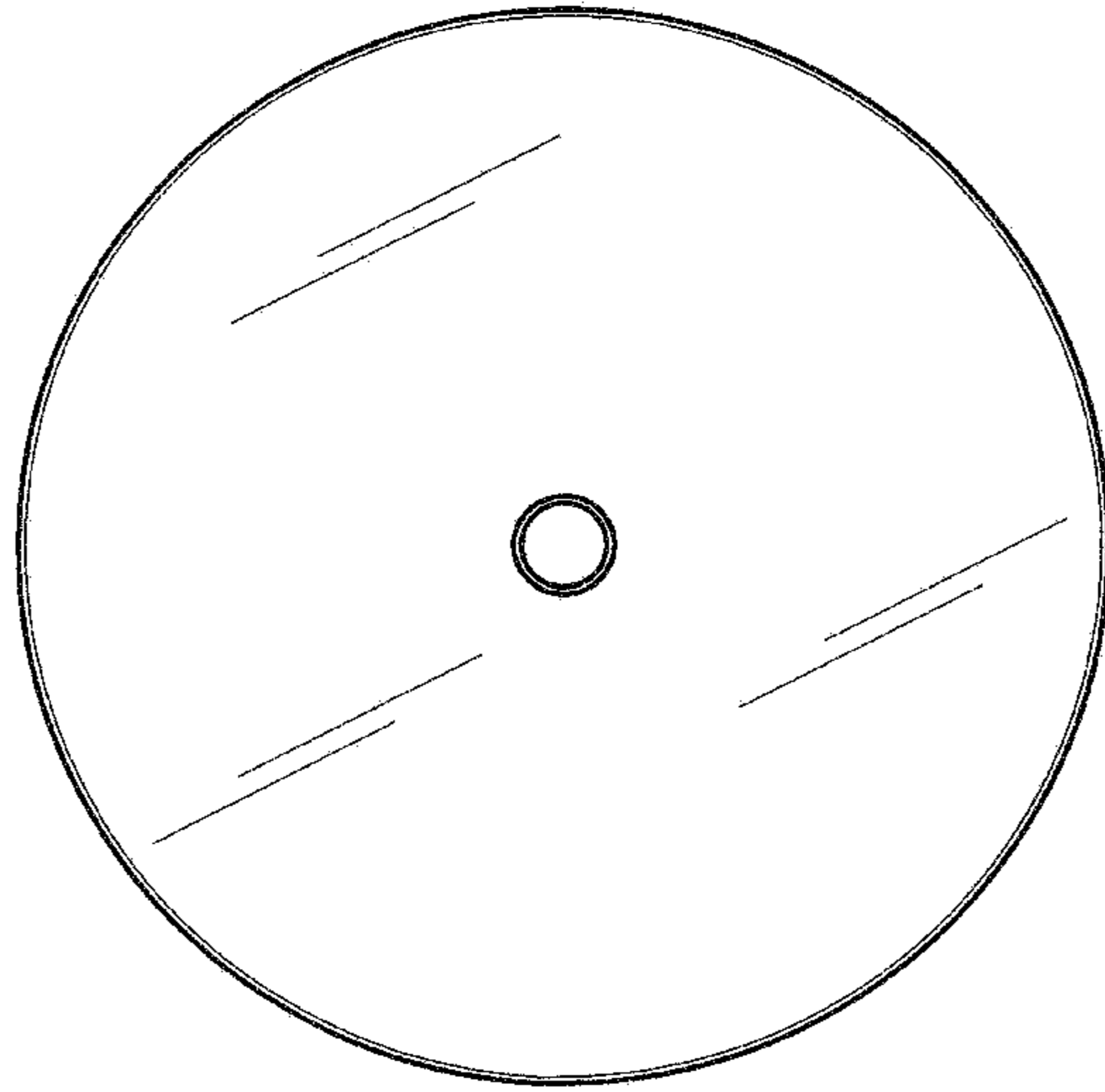


FIG. 3

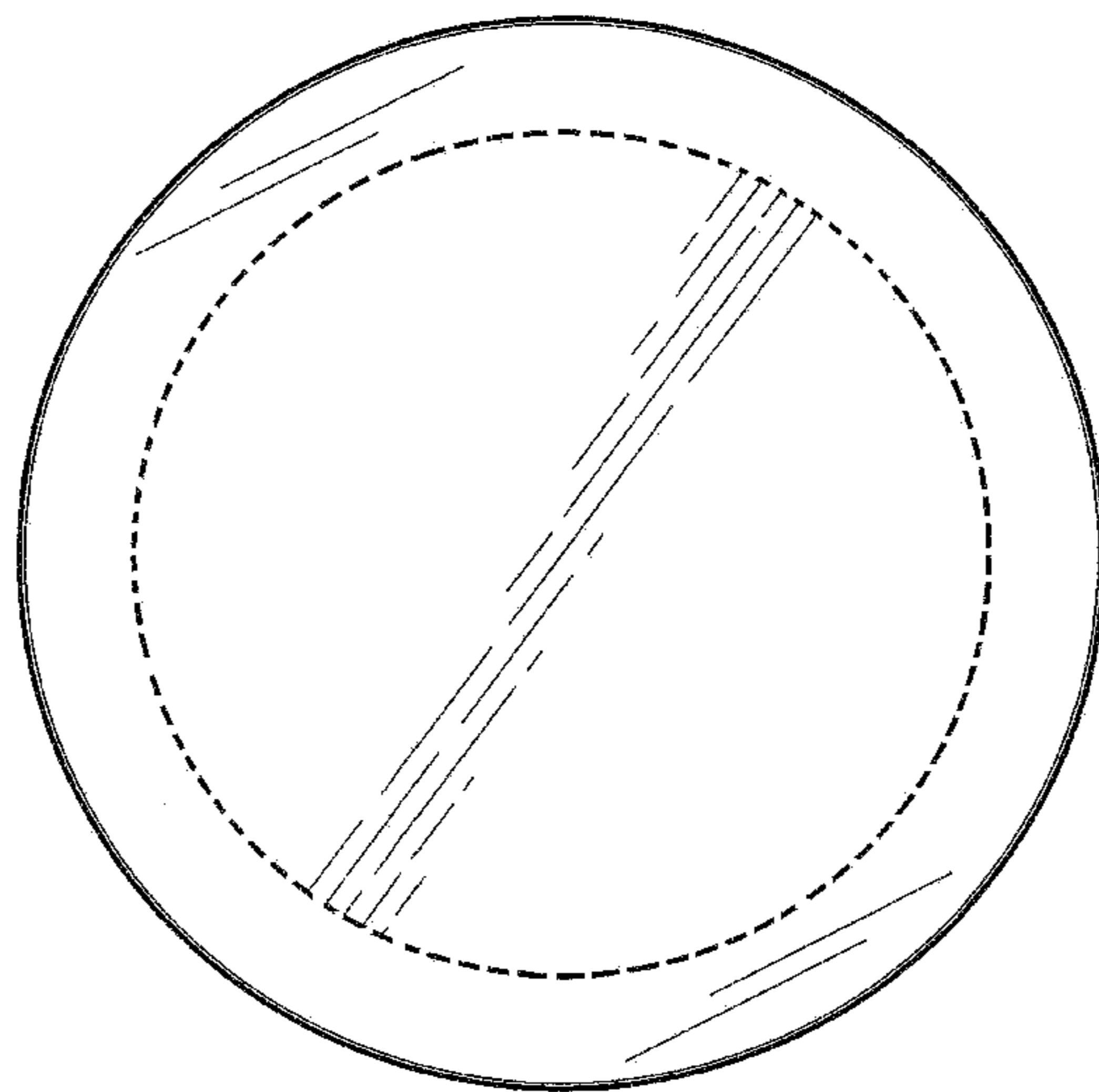


FIG. 4