



US00D958400S

(12) **United States Design Patent** (10) **Patent No.:** **US D958,400 S**
Knight (45) **Date of Patent:** **** Jul. 19, 2022**

(54) **LID**
(71) Applicant: **GEN-PROBE INCORPORATED**, San Diego, CA (US)
(72) Inventor: **Byron J. Knight**, San Diego, CA (US)
(73) Assignee: **GEN-PROBE INCORPORATED**, San Diego, CA (US)
(**) Term: **15 Years**
(21) Appl. No.: **29/751,804**
(22) Filed: **Sep. 23, 2020**

Related U.S. Application Data

(63) Continuation of application No. 16/862,406, filed on Apr. 29, 2020, which is a continuation of application No. 15/926,633, filed on Mar. 20, 2018, now Pat. No. 10,668,472.
(51) **LOC (13) Cl.** **24-02**
(52) **U.S. Cl.**
USPC **D24/224**
(58) **Field of Classification Search**
USPC D24/216, 217, 219, 220, 223-227, 232, D24/233; D9/424, 425, 432, 732, 735, D9/749, 755, 758, 760, 434, 435, 452, D9/453, 455, 456, 499; D7/550.1, D7/553.1-553.5, 554.3, 554.4, 391, 392, D7/396.1, 511, 538, 542, 601, 602, 605, D7/629, 705, 708; D18/43, 44; D3/294-295, 302, 903; D32/53
CPC A61J 1/00; B01L 3/50; B01L 3/52; B01L 7/00; B01L 7/02; B01L 3/523; C07K 1/26; C12Q 1/00
See application file for complete search history.

(56) **References Cited**

U.S. PATENT DOCUMENTS

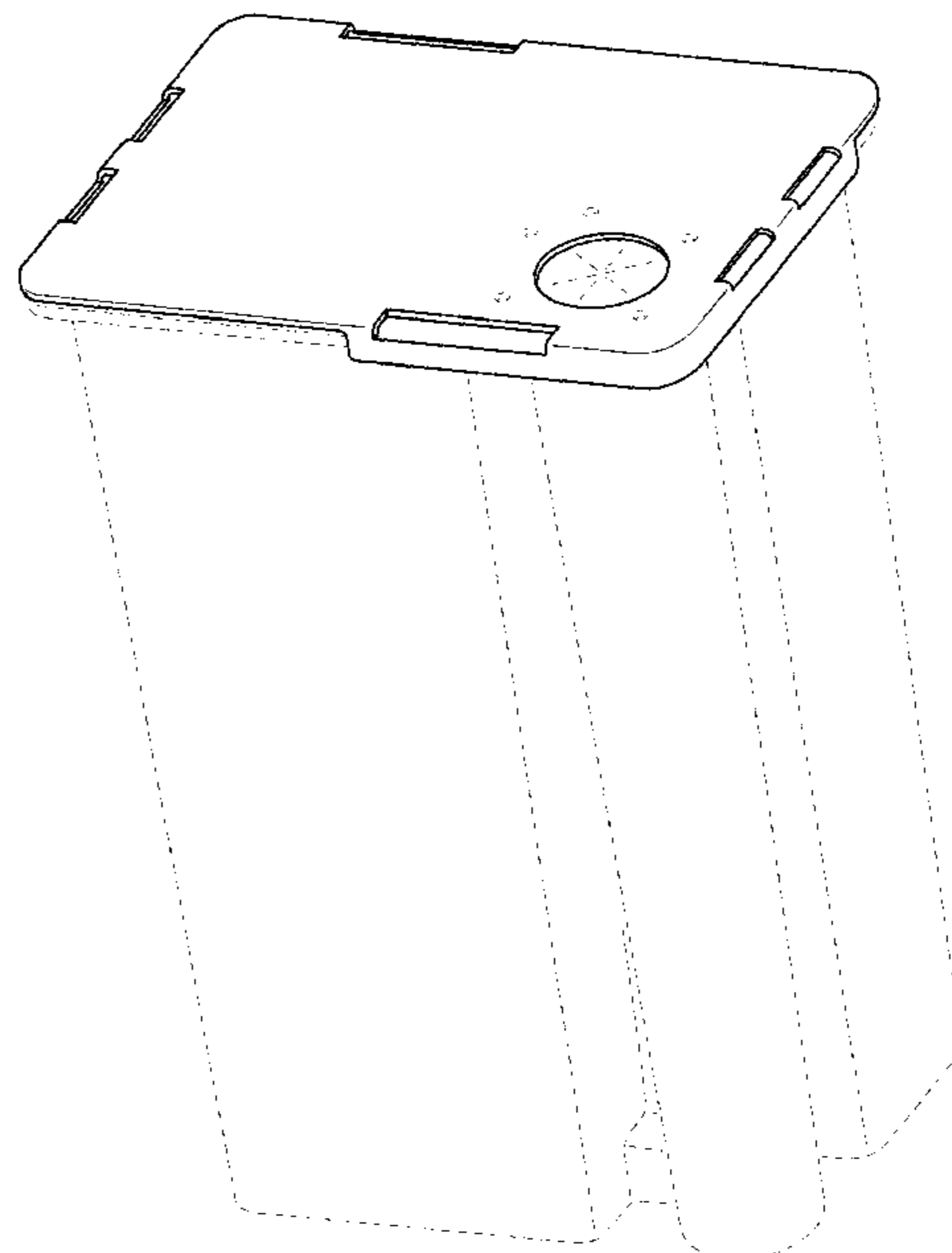
| | | | | | | |
|--------------|----|---|---------|-------------|-------|-------------|
| D242,515 | S | * | 11/1976 | Shumrak | | D7/553.5 |
| D258,036 | S | * | 1/1981 | Sabin | | D7/698 |
| D292,037 | S | * | 9/1987 | Hanifl | | D24/131 |
| D446,085 | S | * | 8/2001 | Dretzka | | D7/629 |
| D447,233 | S | * | 8/2001 | Bickel | | D24/131 |
| D476,229 | S | * | 6/2003 | Skillings | | D9/416 |
| D501,761 | S | * | 2/2005 | Glander | | D7/553.5 |
| D511,655 | S | * | 11/2005 | Kim | | D7/612 |
| D531,024 | S | * | 10/2006 | Feldmeier | | D9/425 |
| D543,423 | S | * | 5/2007 | Benson | | D7/698 |
| D654,790 | S | * | 2/2012 | Perell | | B29D 22/003 |
| | | | | | | D9/434 |
| D664,405 | S | * | 7/2012 | Chen | | D7/698 |
| D716,011 | S | * | 10/2014 | Jackson | | D32/53 |
| D736,616 | S | * | 8/2015 | Suen | | D9/425 |
| D760,035 | S | * | 6/2016 | Kim | | D7/629 |
| D830,790 | S | * | 10/2018 | Lee | | D7/629 |
| D848,783 | S | * | 5/2019 | Zhong | | D7/391 |
| D853,179 | S | * | 7/2019 | Duvigneau | | D7/391 |
| D920,742 | S | * | 6/2021 | Paine | | D7/553.2 |
| D925,291 | S | * | 7/2021 | Kellow, Jr. | | D7/553.2 |
| 2018/0290141 | A1 | * | 10/2018 | Knight | | B01L 3/565 |

* cited by examiner
Primary Examiner — Omeed Agilee
(74) *Attorney, Agent, or Firm* — Sterne, Kessler, Goldstein & Fox P.L.L.C.; Charles B. Cappellari

(57) **CLAIM**
The ornamental design for a lid, as shown and described.

DESCRIPTION
FIG. 1 is a top perspective view of a lid showing the claimed design in an environment in which it may be used; and, FIG. 2 is a top view thereof.
The broken lines in the drawings depict environmental subject matter and form no part of the claimed design.

1 Claim, 2 Drawing Sheets



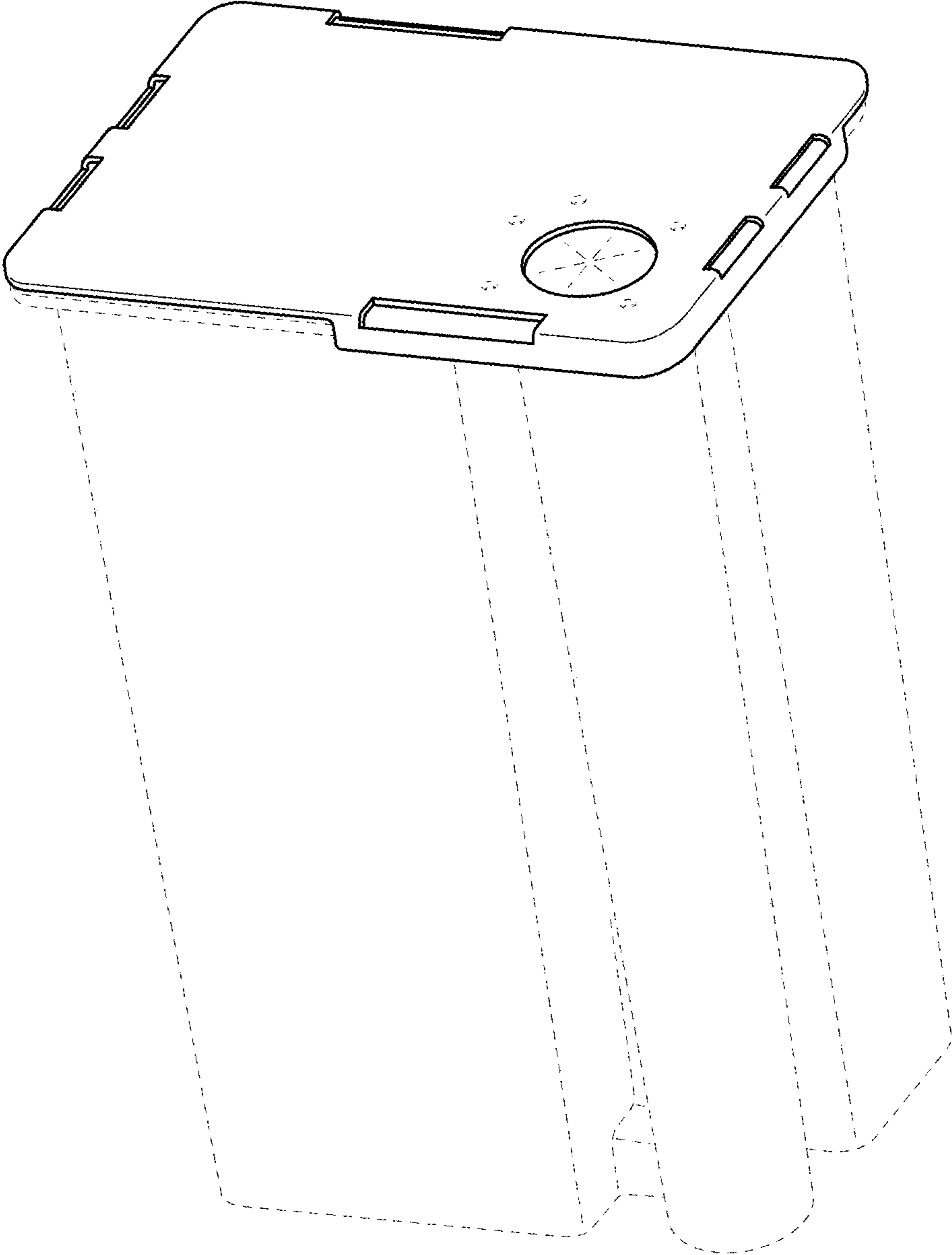


FIG. 1

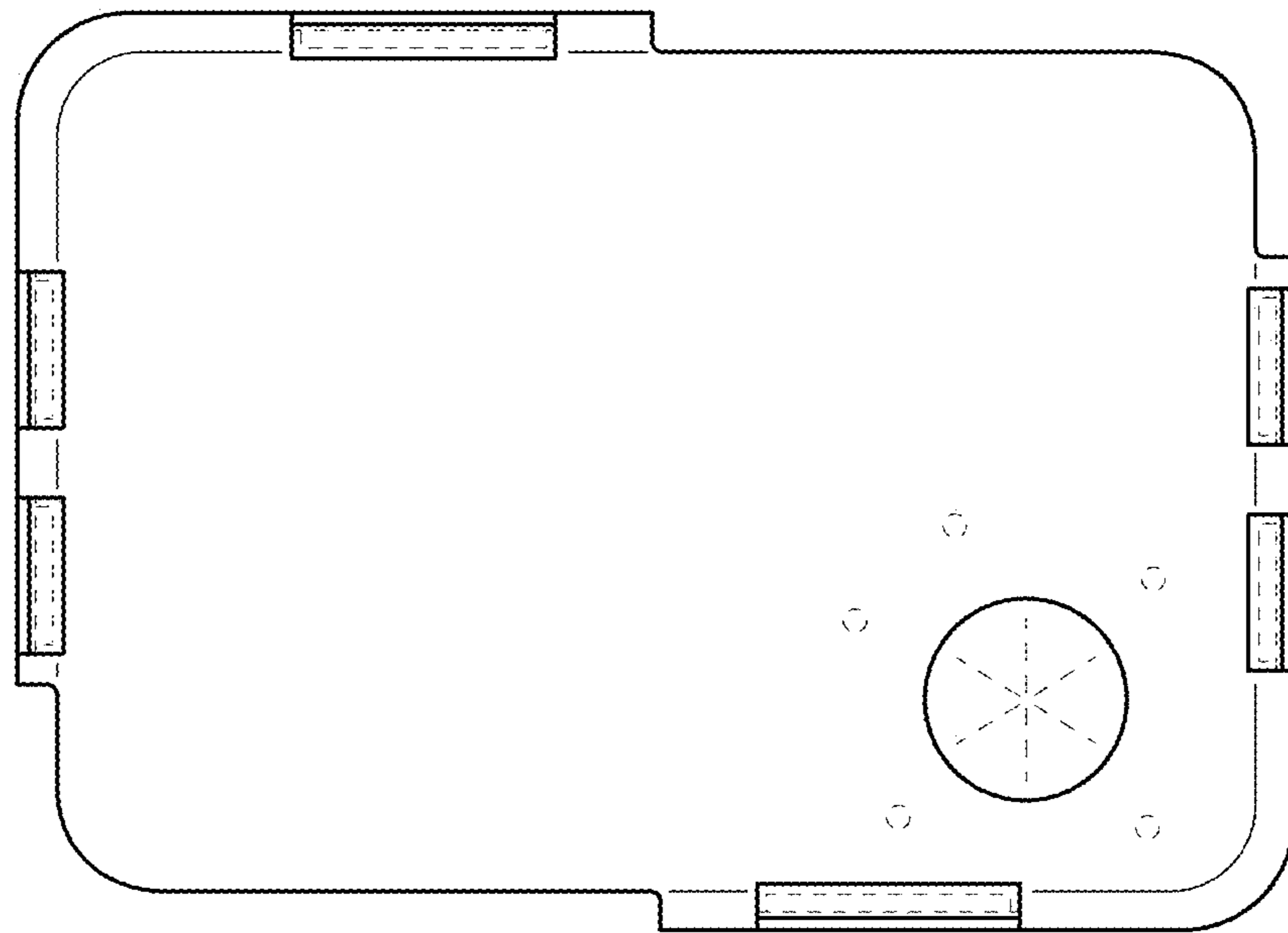


FIG. 2