



US00D958399S

(12) **United States Design Patent** (10) **Patent No.:** **US D958,399 S**
Meyer (45) **Date of Patent:** **** *Jul. 19, 2022**

(54) **CASSETTE WITH INSERT TRAY FOR SURGICAL TOOLS**
(71) Applicant: **Straumann Holding AG**, Basel (CH)
(72) Inventor: **Corinne Meyer**, Liestal (CH)
(73) Assignee: **Straumann Holding AG**, Basel (CH)
(*) Notice: This patent is subject to a terminal disclaimer.
(**) Term: **15 Years**
(21) Appl. No.: **35/509,089**
(22) Filed: **Mar. 6, 2020**

(80) **Hague Agreement Data**
Int. Filing Date: **Mar. 6, 2020**
Int. Reg. No.: **DM/206972**
Int. Reg. Date: **Mar. 6, 2020**
Int. Reg. Pub. Date: **Apr. 17, 2020**

(51) **LOC (13) Cl.** **24-02**
(52) **U.S. Cl.**
USPC **D24/217**
(58) **Field of Classification Search**
USPC D24/217, 224, 216; D4/304; D7/505
CPC A61B 2050/0058; A61B 2050/0059; A61B 50/20; A61B 50/22; A61B 50/30; A61B 50/33; A61B 50/34; A61L 2/26; A61L 2202/182; A61C 19/02; A61C 3/04
See application file for complete search history.

(56) **References Cited**
U.S. PATENT DOCUMENTS
4,798,292 A * 1/1989 Hauze A61L 2/26 206/439
D314,307 S * 2/1991 Bush D7/356
5,246,105 A * 9/1993 Eykmann A47B 67/04 206/63.5
D404,176 S * 1/1999 Goodin D32/3
D412,607 S * 8/1999 Goodin D32/3

D421,309 S * 2/2000 Riley D24/217
6,039,804 A * 3/2000 Kim C30B 7/00 117/206
6,331,280 B1 * 12/2001 Wood A61L 2/26 206/268
D557,814 S * 12/2007 Glenn D24/217
D687,565 S * 8/2013 Kawamura A61B 50/31 D24/224
D824,534 S * 7/2018 Kelly D24/224
D865,215 S * 10/2019 Dangelo D24/224
10,575,933 B2 * 3/2020 Berg A61B 50/33
D893,740 S * 8/2020 Lv D24/217
D900,333 S * 10/2020 Xie A61L 2/26 D24/217
2005/0224384 A1 * 10/2005 Sands A61B 50/31 206/503
2014/0202903 A1 * 7/2014 Dassonville A61B 50/33 206/370
2014/0339114 A1 * 11/2014 Griffin A61B 50/20 206/370

(Continued)

Primary Examiner — Calvin E Vansant
(74) *Attorney, Agent, or Firm* — Maier & Maier, PLLC

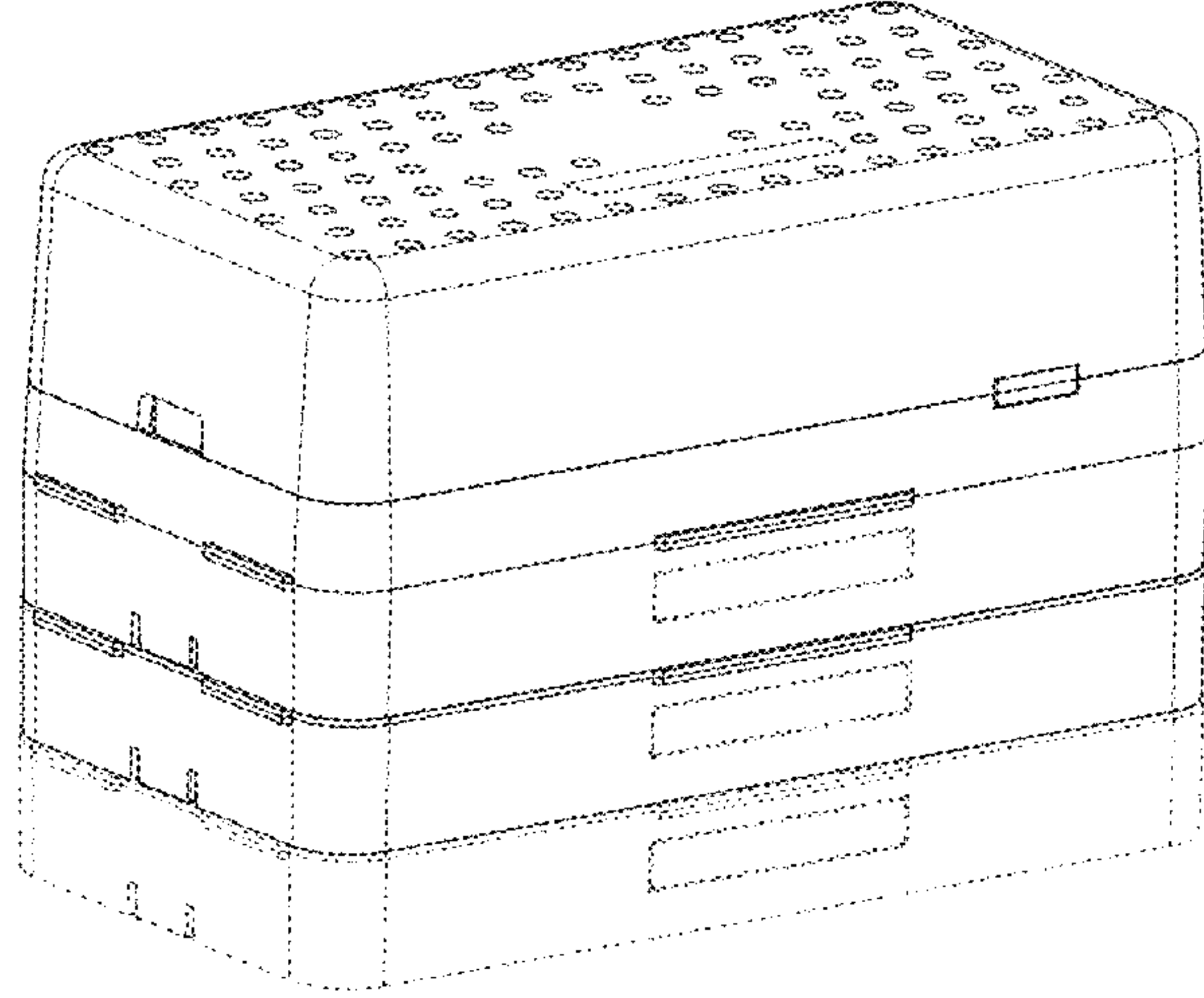
(57) **CLAIM**

The ornamental design for a cassette with insert tray for surgical tools, as shown and described.

DESCRIPTION

- 1. Cassette with insert tray for surgical tools
- 1.1 : Front
- 1.2 : Top
- 1.3 : Left
- 1.4 : Right
- 1.5 : Bottom
- 1.6 : Back
- 1.7 : Top perspective view
- 1.8 : Bottom perspective view
- 1.9 : Top perspective exploded view
- 1.10 : Bottom perspective exploded view

1 Claim, 10 Drawing Sheets



(56)

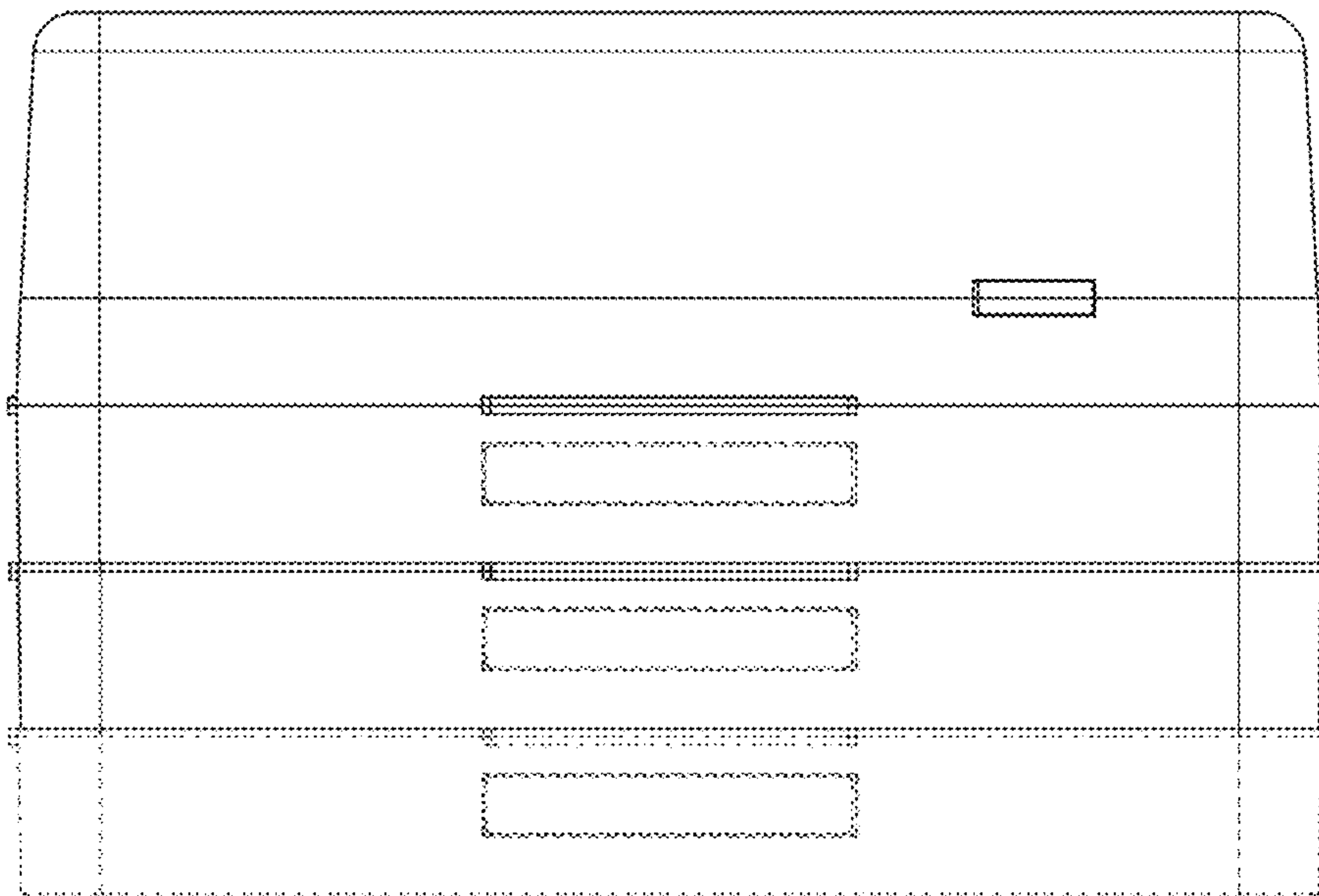
References Cited

U.S. PATENT DOCUMENTS

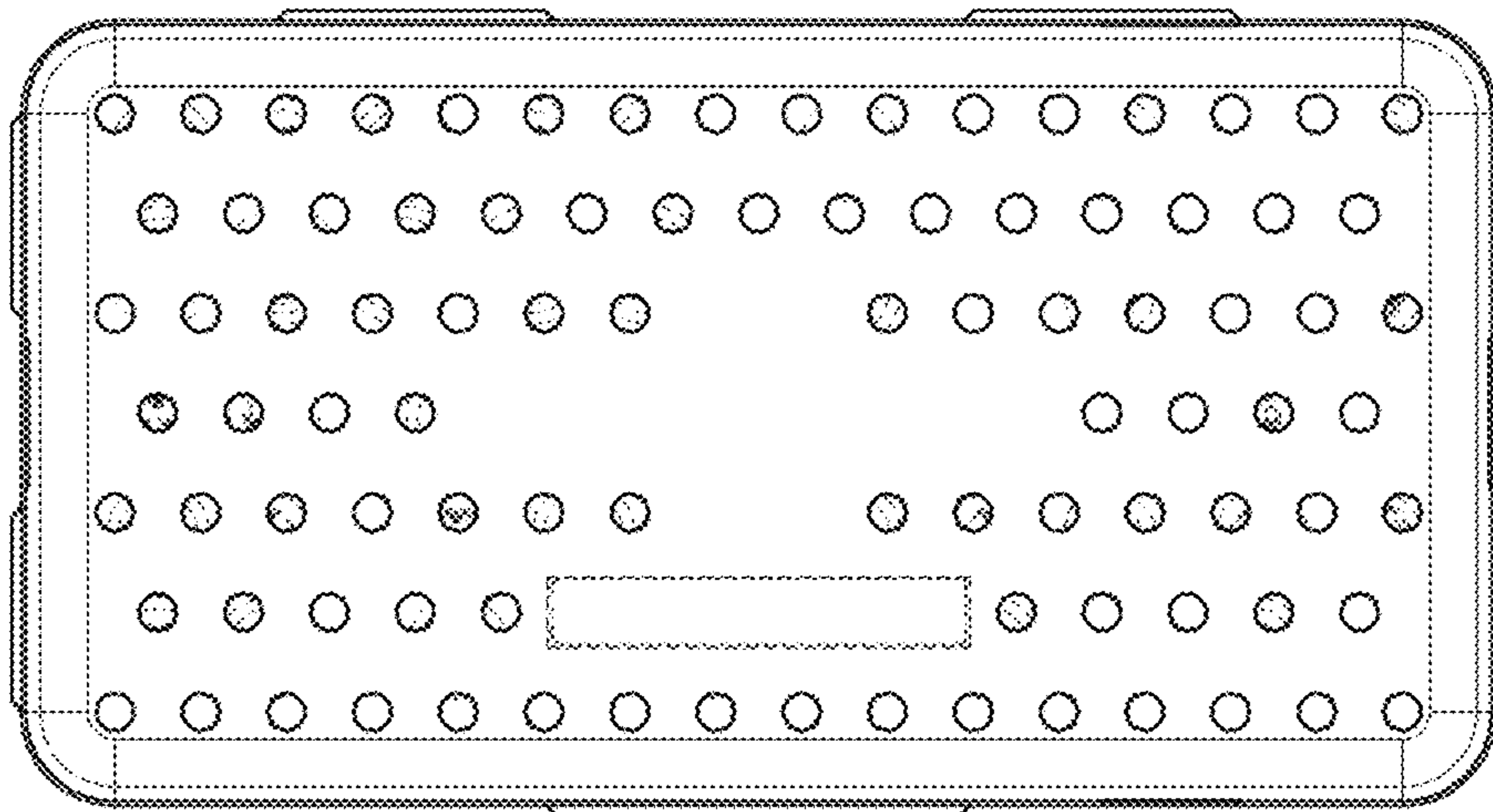
2015/0202023 A1* 7/2015 Lee A61B 17/176
433/75
2021/0386499 A1* 12/2021 Bailey A61B 50/33

* cited by examiner

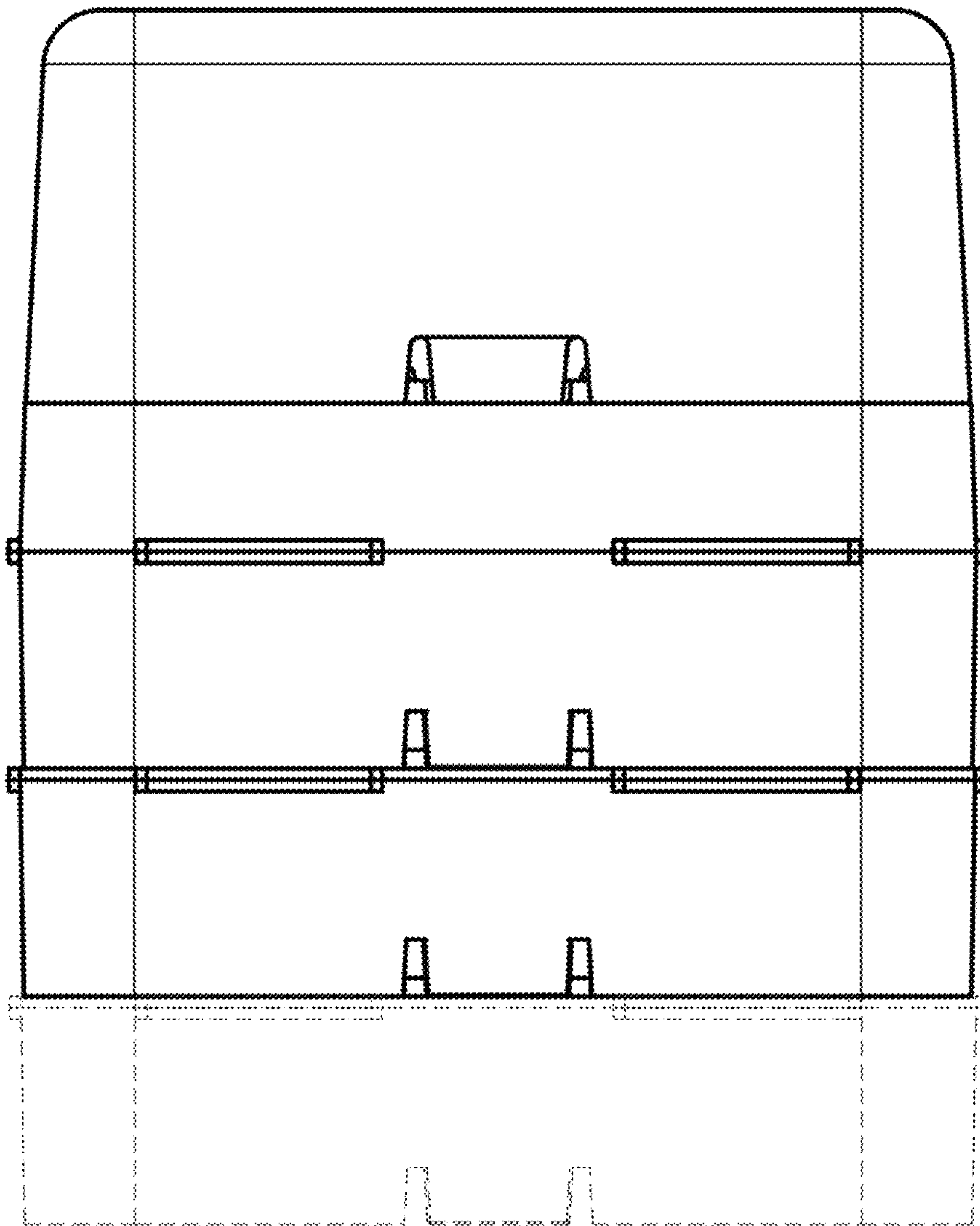
1.1



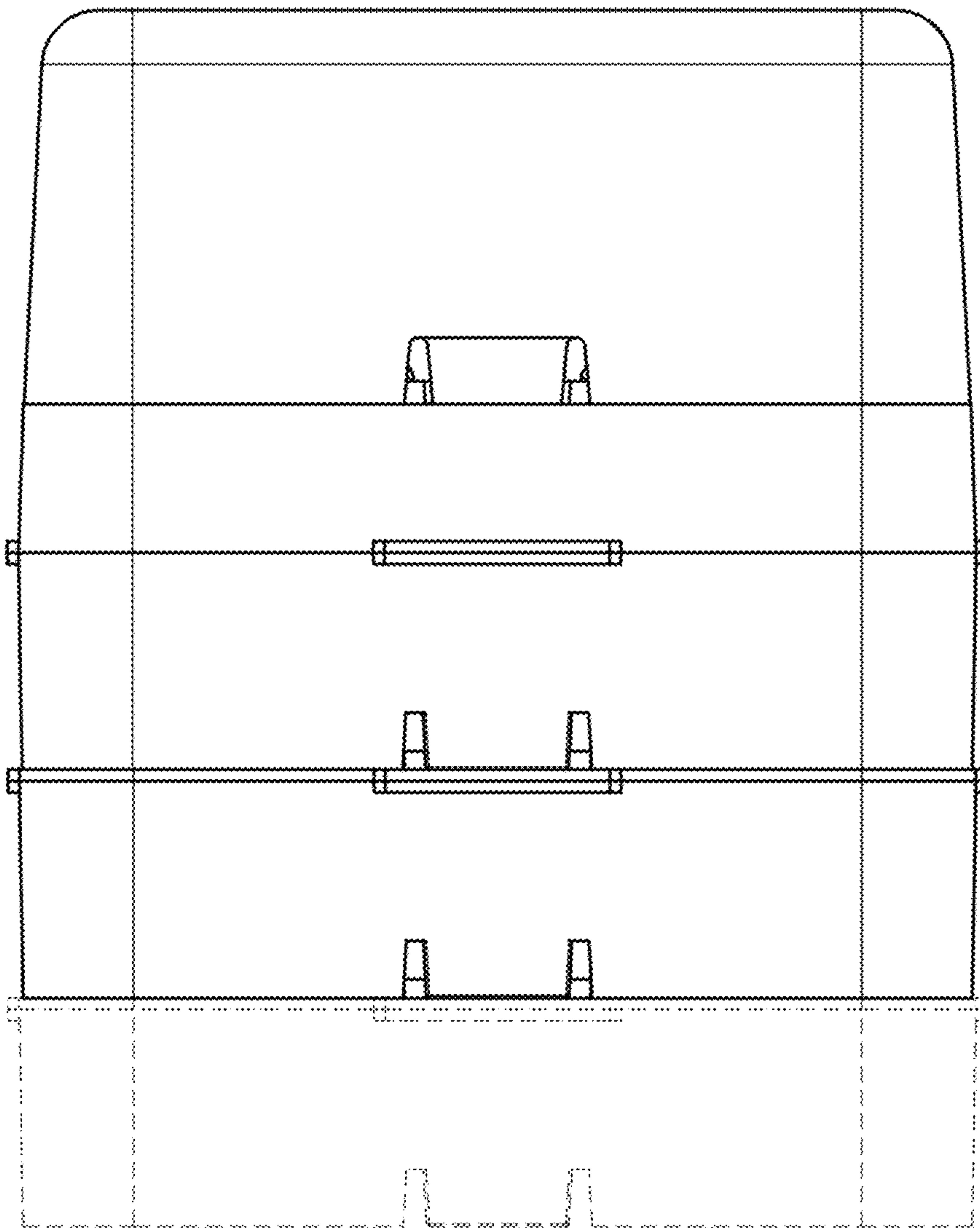
1.2



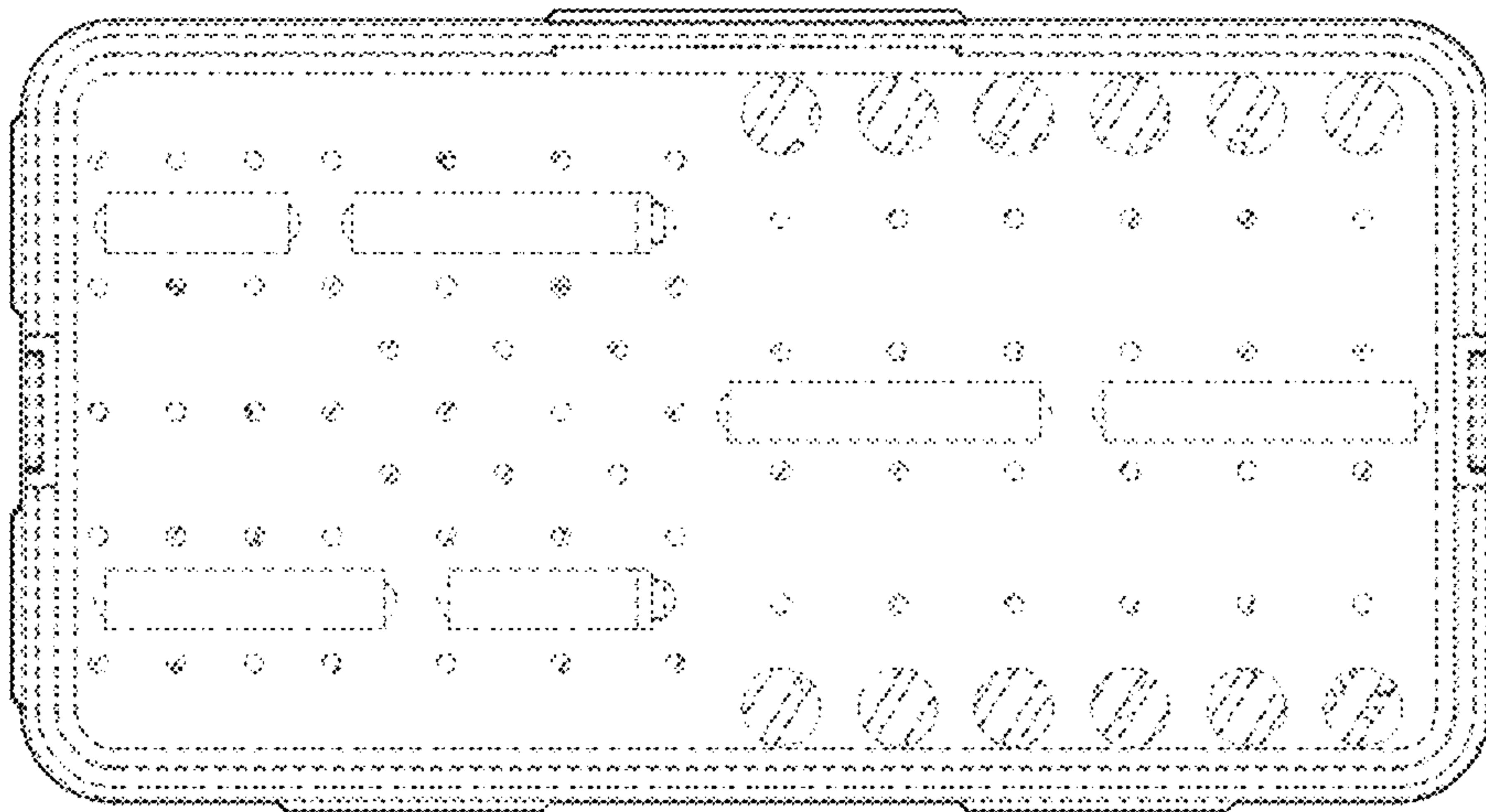
1.3



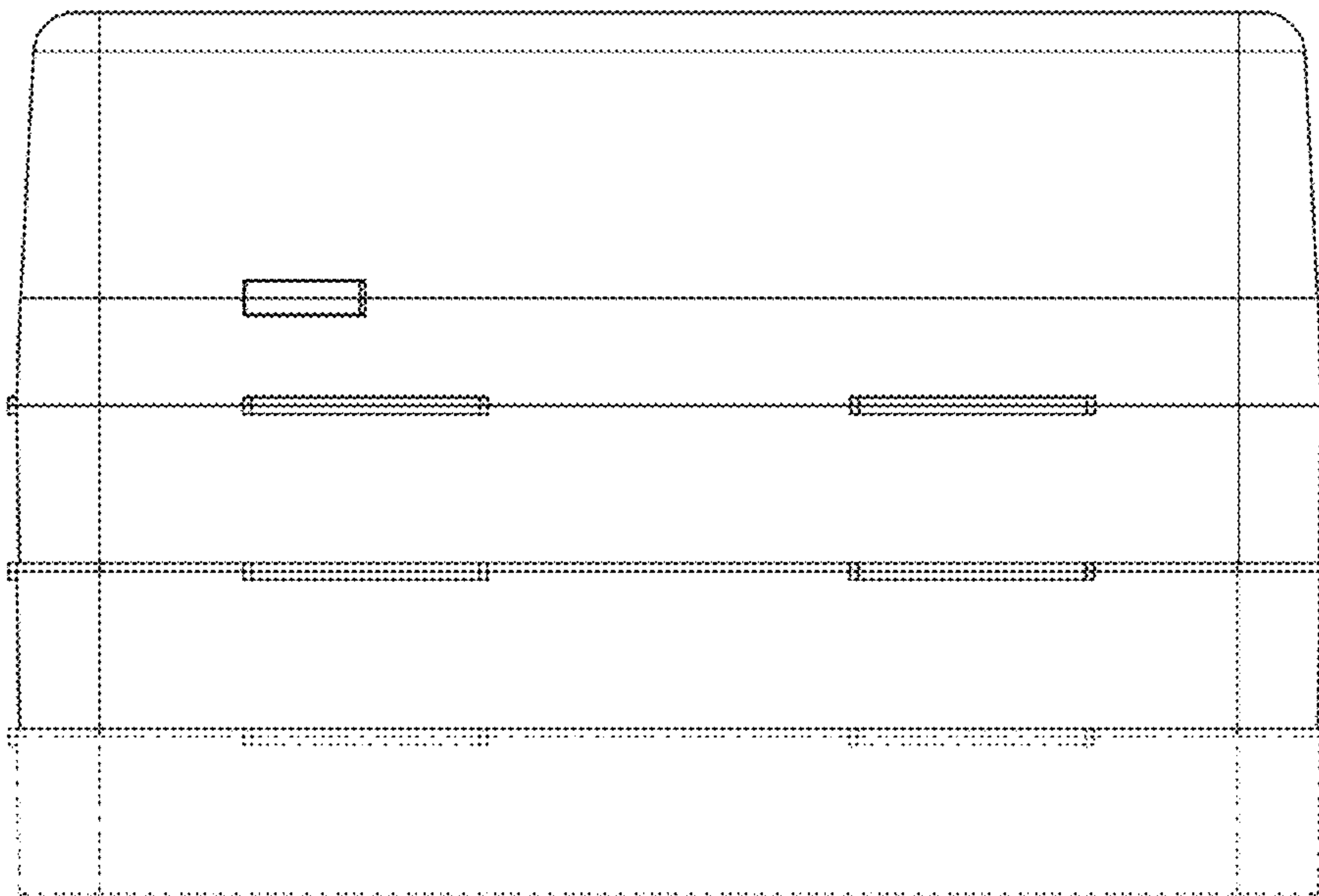
1.4



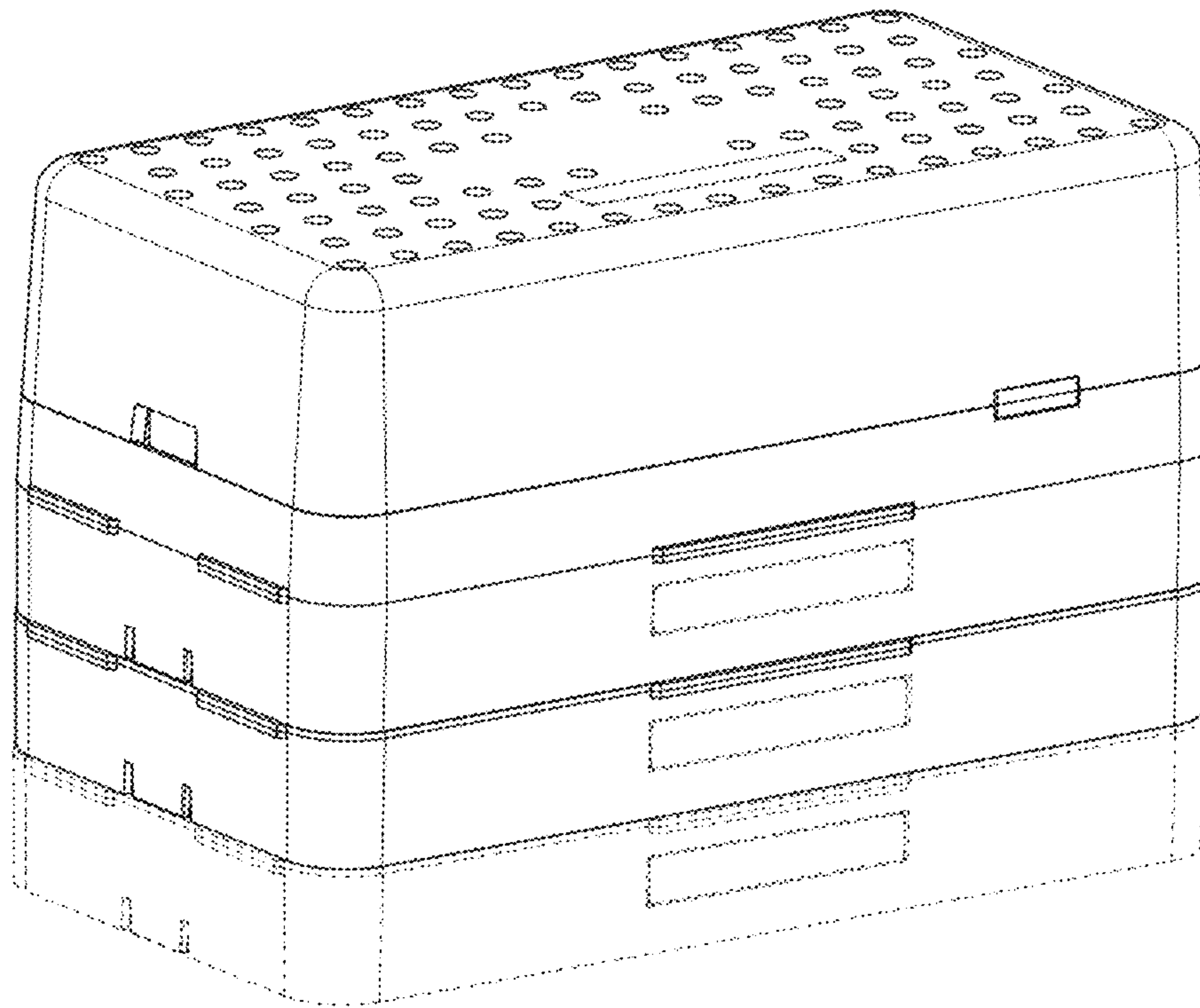
1.5



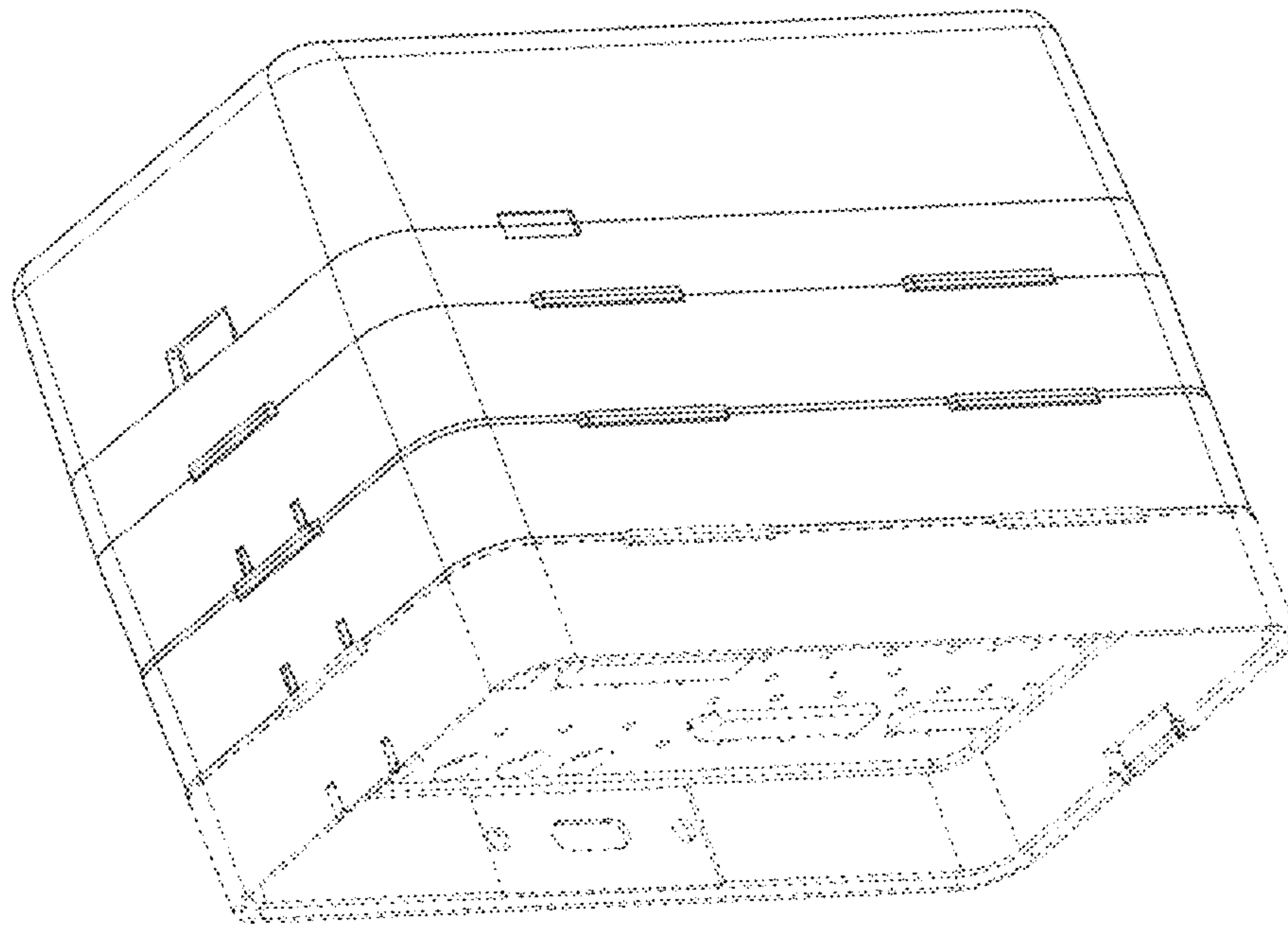
1.6



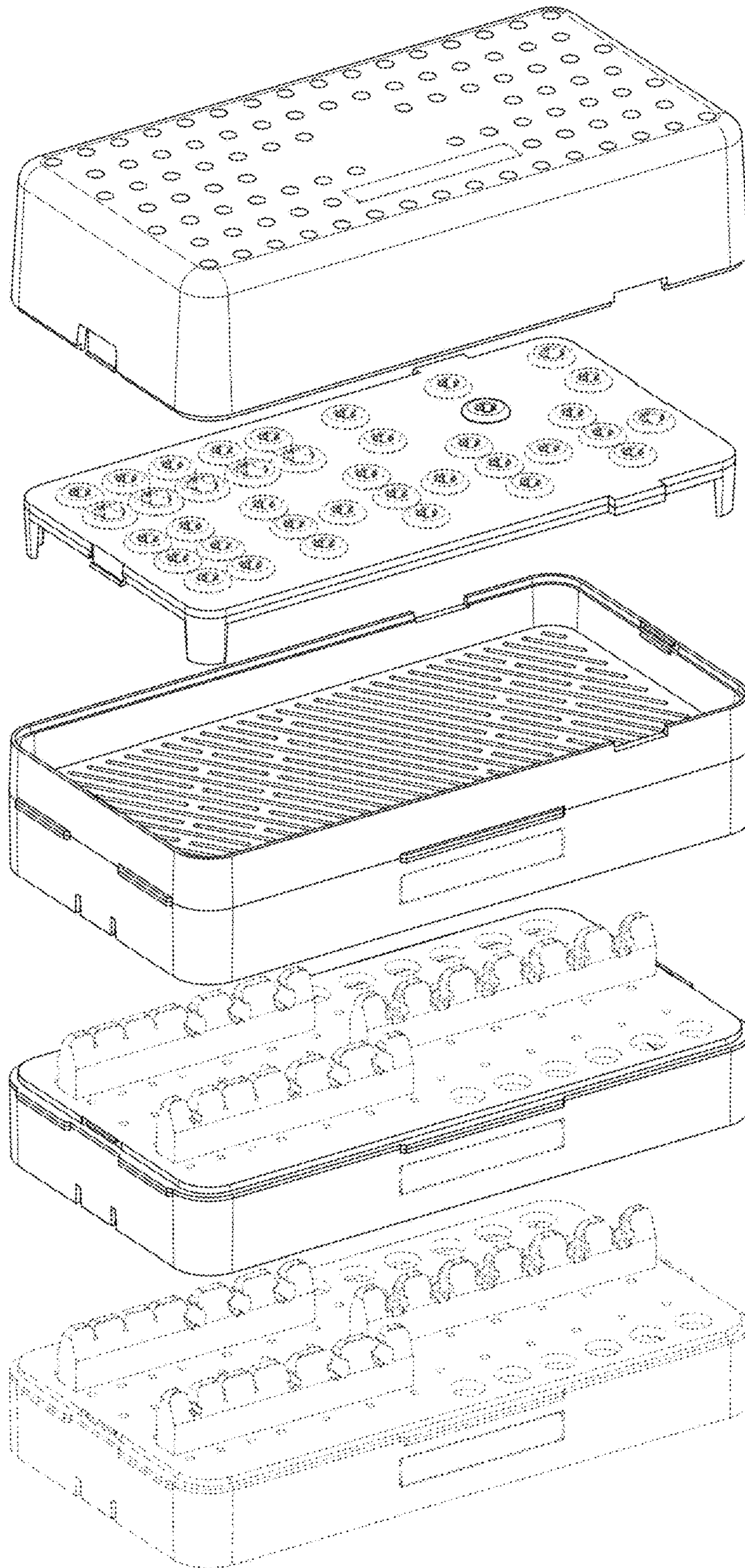
1.7



1.8



1.9



1.10

