



US00D958398S

(12) **United States Design Patent** (10) **Patent No.:** **US D958,398 S**  
**O'Leary** (45) **Date of Patent:** **\*\* Jul. 19, 2022**

(54) **SAMPLING APPARATUS**  
(71) Applicant: **Crime Scene Solutions Limited,**  
Papakura (NZ)  
(72) Inventor: **Benjamin O'Leary,** Papakura (NZ)  
(73) Assignee: **CRIME SCENE SOLUTIONS**  
**LIMITED,** Papakura (NZ)

D768,868 S \* 10/2016 Inoue ..... D24/216  
D809,140 S \* 1/2018 Sasayama ..... D24/147  
D818,577 S \* 5/2018 Melendez ..... D24/119  
11,035,758 B2 \* 6/2021 O'Leary ..... G01N 1/02  
2007/0073186 A1 \* 3/2007 Decker ..... A61B 10/0045  
600/569  
2011/0066172 A1 \* 3/2011 Silverstein ..... A61F 13/38  
606/162

(Continued)

(\*\*) Term: **15 Years**  
(21) Appl. No.: **29/722,306**  
(22) Filed: **Jan. 28, 2020**

FOREIGN PATENT DOCUMENTS

WO 2017/209628 A1 12/2017

*Primary Examiner* — Anhdao Doan

(74) *Attorney, Agent, or Firm* — Lee Sullivan Shea & Smith LLP

(30) **Foreign Application Priority Data**  
Jul. 31, 2019 (NZ) ..... 426299  
(51) **LOC (13) Cl.** ..... **24-01**  
(52) **U.S. Cl.**  
USPC ..... **D24/216; D24/223**  
(58) **Field of Classification Search**  
USPC ..... D24/216, 219, 223–227, 231, 232, 233,  
D24/234, 119, 121, 133, 146, 147;  
D10/81  
CPC ..... B01L 3/5029; B01L 2300/041; B01L  
2300/042; A61B 10/02; A61B 2010/0216;  
A61B 2010/0074; A01N 1/0273; A01N  
1/0247; A01N 1/0268; A01N 1/02; A01N  
2001/007; A01N 2001/028  
See application file for complete search history.

(57) **CLAIM**

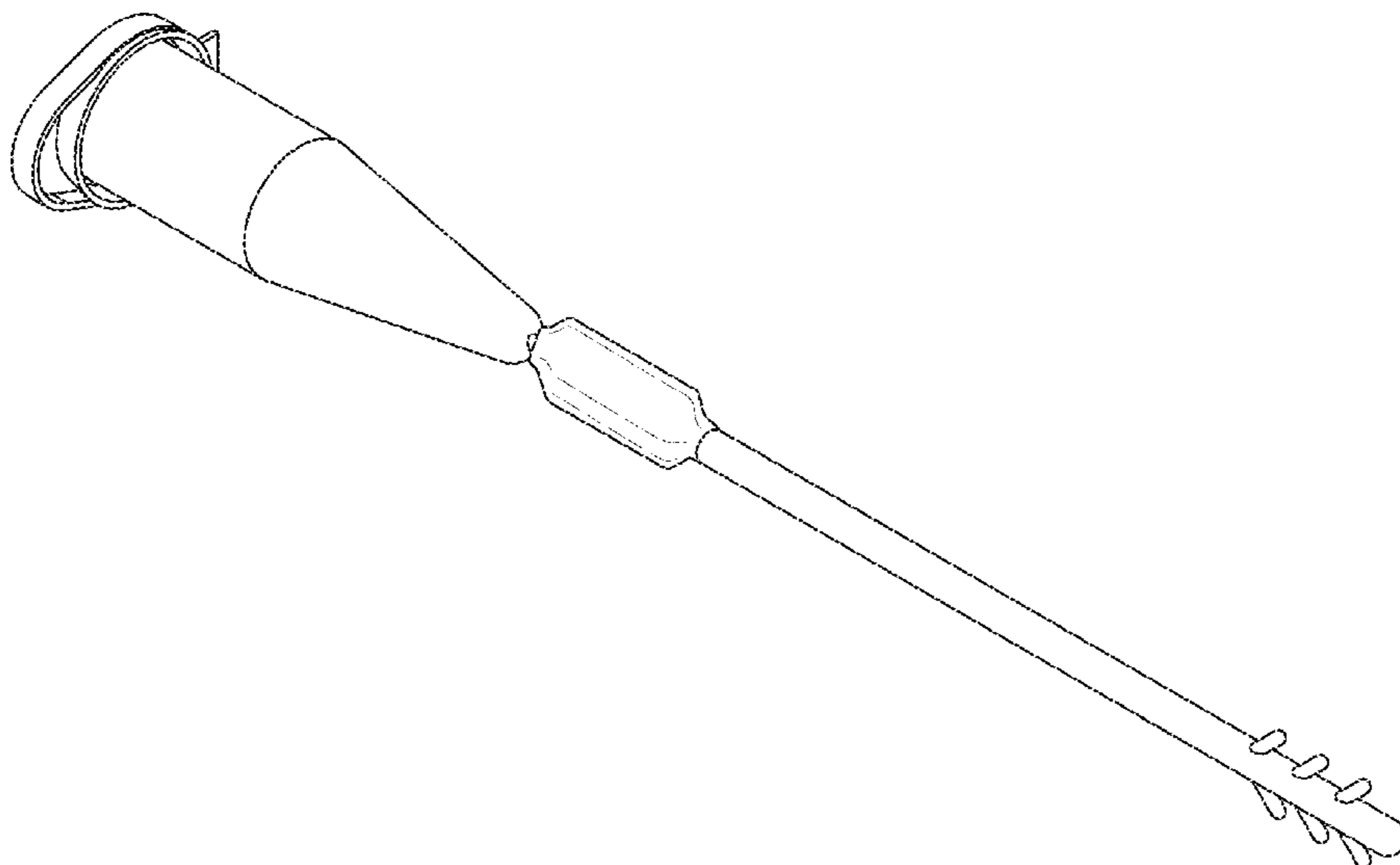
The ornamental design for a sampling apparatus, as shown and described.

**DESCRIPTION**

FIG. 1 is a side profile view of a sampling apparatus according to my new design, showing the swab head removed;  
FIG. 2 is a perspective view thereof, showing the swab head removed;  
FIG. 3 is a side profile view thereof, showing the swab head removed;  
FIG. 4 is a top view thereof;  
FIG. 5 is a bottom view thereof, showing the swab head attached;  
FIG. 6 is a side profile view thereof, showing the swab head attached;  
FIG. 7 is a perspective view thereof, showing an opened lid and showing the swab head attached; and,  
FIG. 8 is a side profile view thereof, showing the swab head attached.  
The broken lines illustrate portions of the sampling apparatus that form no part of the claimed design.

**1 Claim, 8 Drawing Sheets**

(56) **References Cited**  
U.S. PATENT DOCUMENTS  
5,238,649 A \* 8/1993 Nason ..... A61B 10/02  
422/411  
D460,822 S \* 7/2002 Dragan ..... D24/119  
D468,424 S \* 1/2003 Levesque ..... D24/119  
D580,070 S \* 11/2008 Riley ..... D24/216  
D585,998 S \* 2/2009 Anderson ..... D24/216  
D640,794 S \* 6/2011 Sunstrum ..... D24/216



(56)

**References Cited**

U.S. PATENT DOCUMENTS

2014/0024069 A1 \* 1/2014 Figueredo ..... A61B 10/0291  
435/29

\* cited by examiner

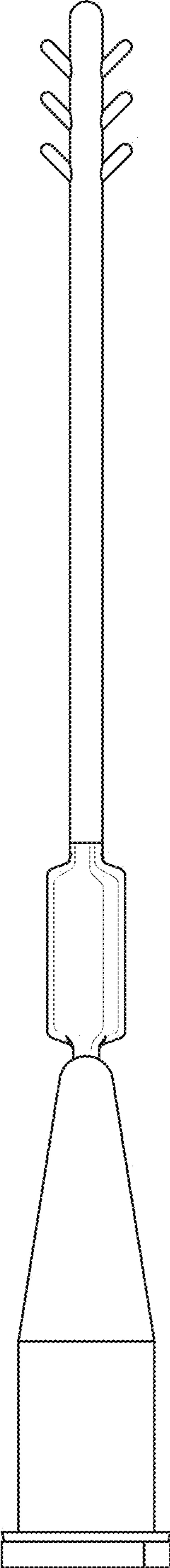


FIG. 1

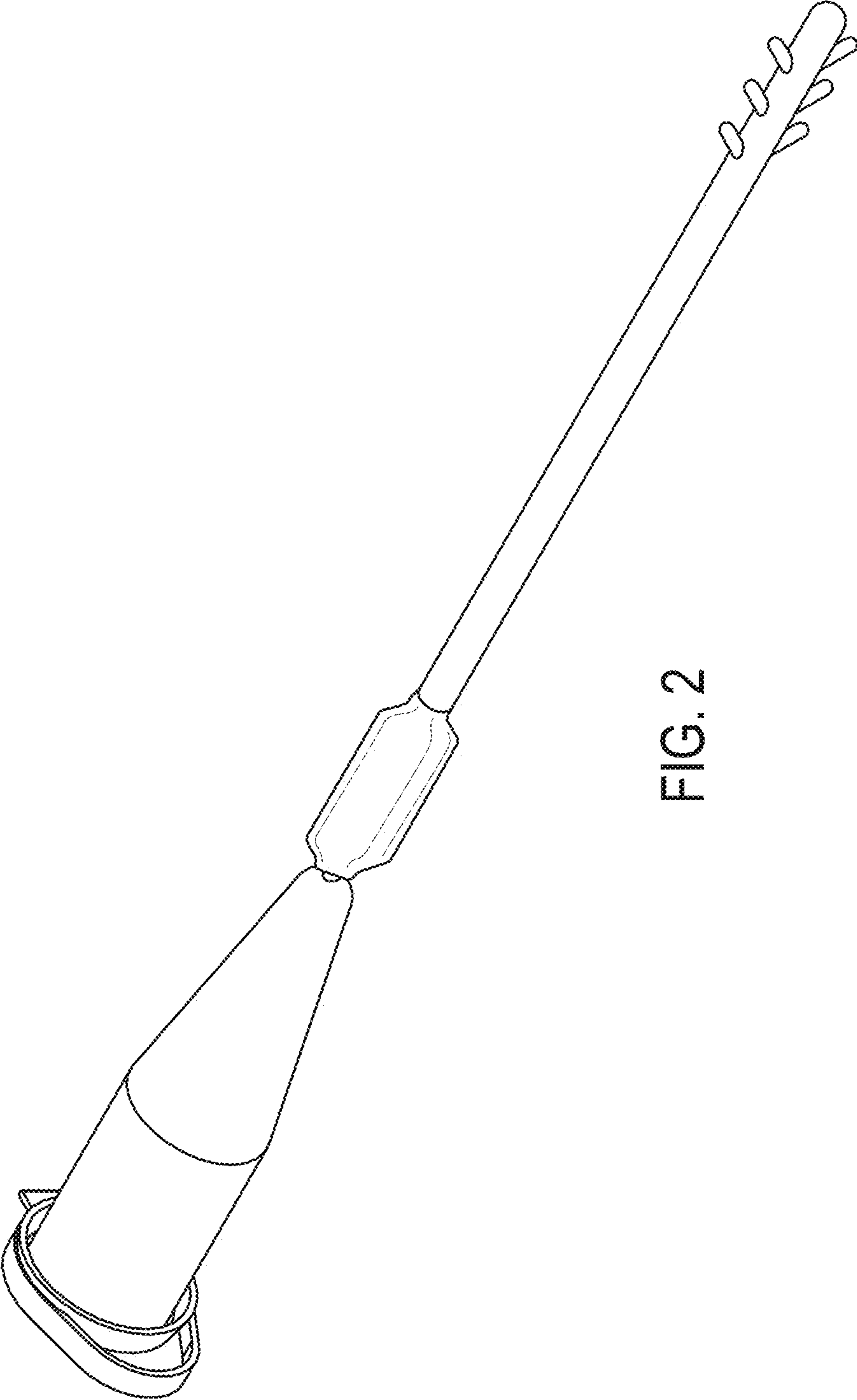


FIG. 2

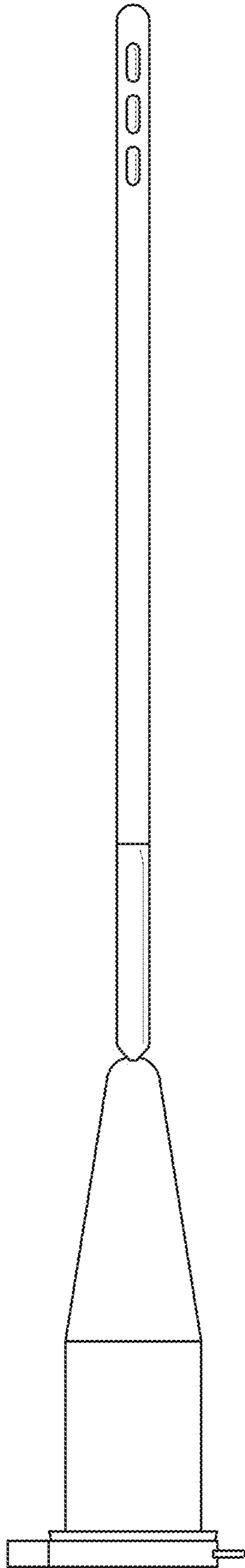


FIG. 3

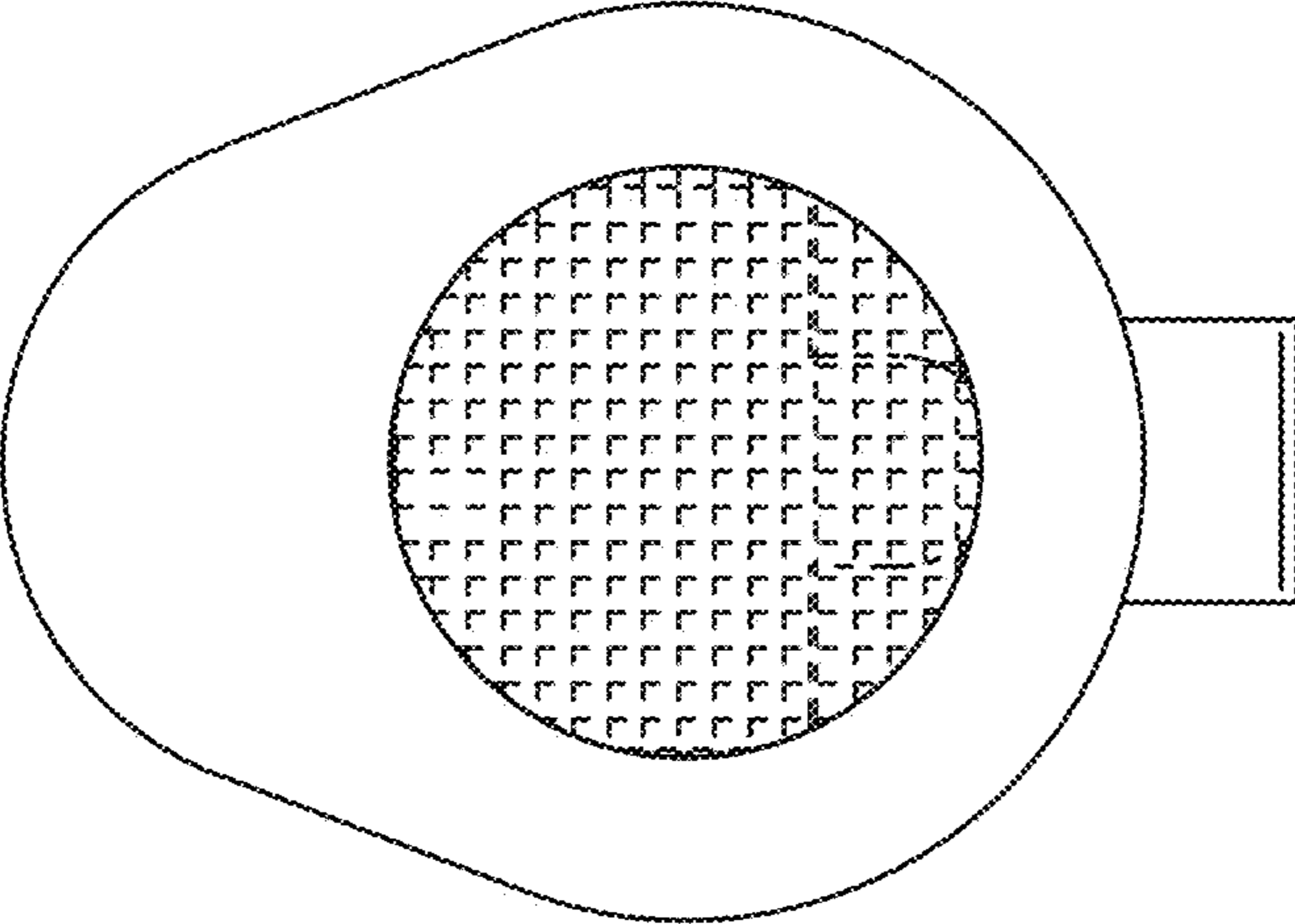


FIG. 4

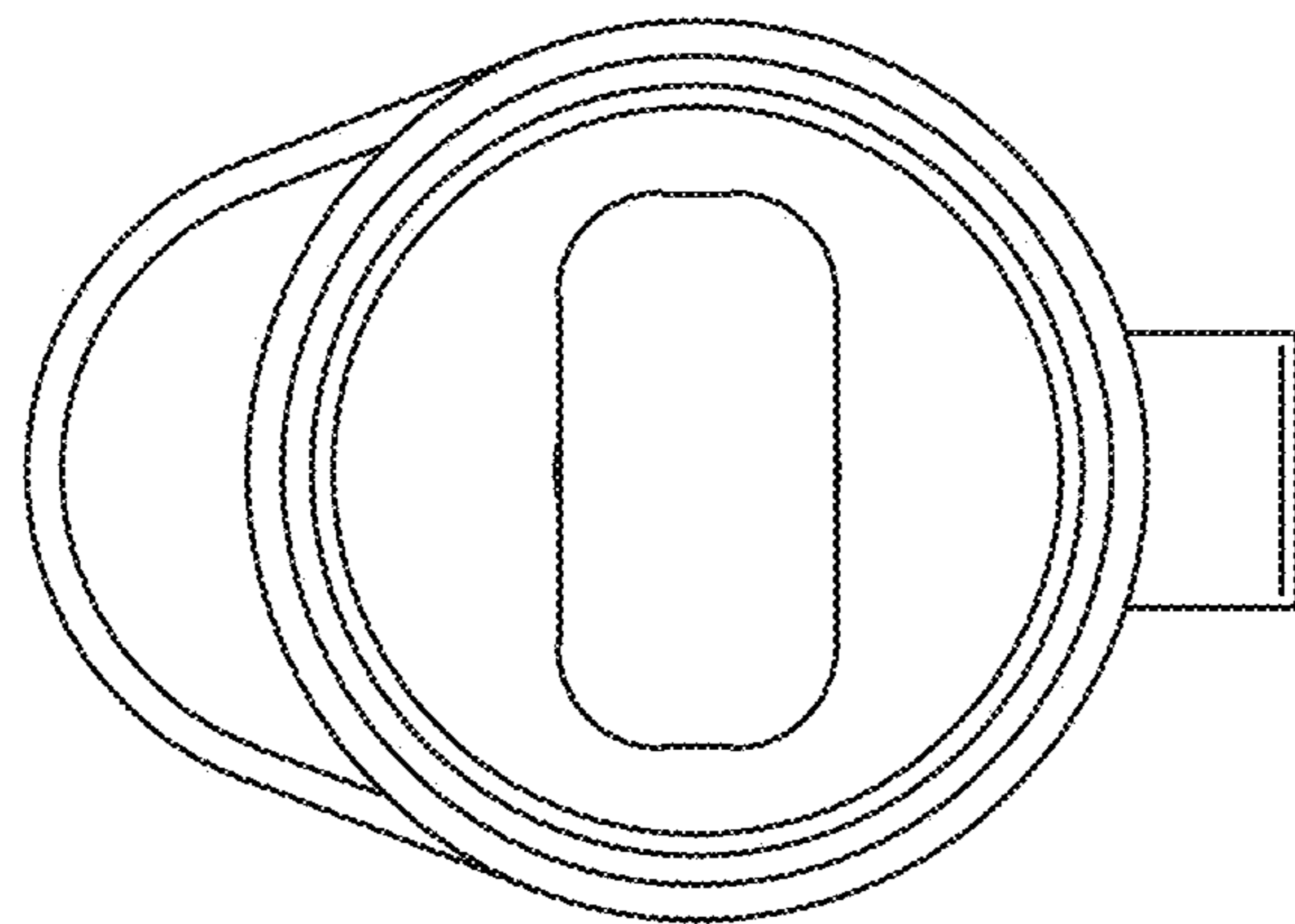


FIG. 5

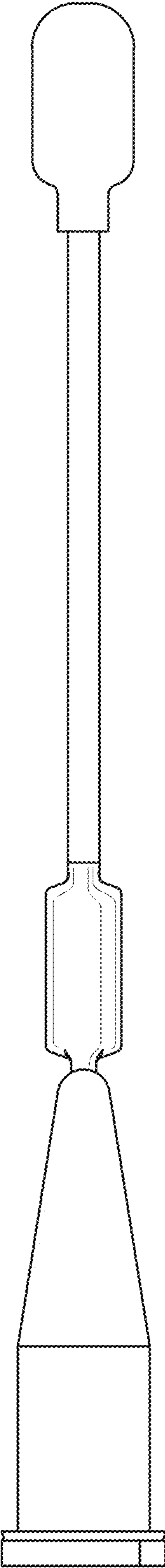


FIG. 6



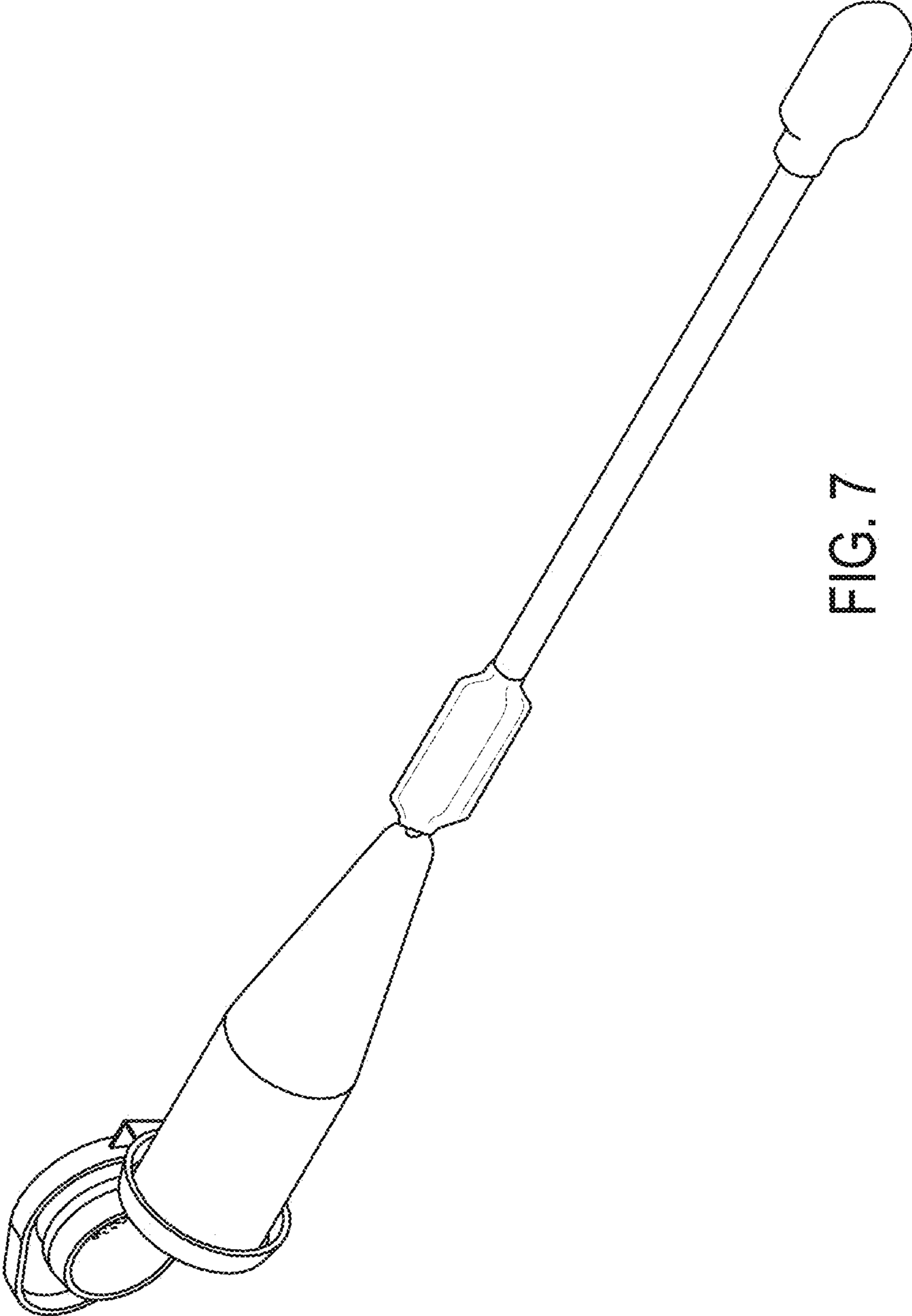


FIG. 7

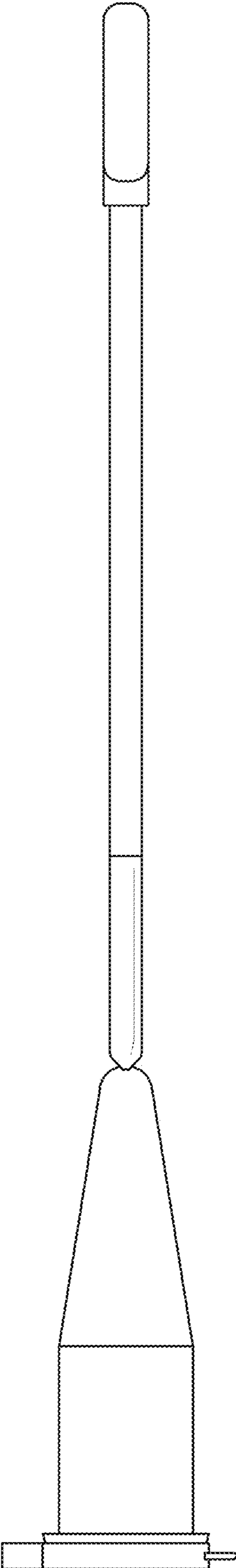


FIG. 8